

(19) World Intellectual Property Organization  
International Bureau



(43) International Publication Date  
26 January 2006 (26.01.2006)

PCT

(10) International Publication Number  
WO 2006/009926 A3

- (51) International Patent Classification:  
B05C 7/08 (2006.01) B05D 7/22 (2006.01)
- (21) International Application Number:  
PCT/US2005/021618
- (22) International Filing Date: 17 June 2005 (17.06.2005)
- (25) Filing Language: English
- (26) Publication Language: English
- (30) Priority Data:  
60/580930 18 June 2004 (18.06.2004) US  
60/637879 20 December 2004 (20.12.2004) US  
60/637789 20 December 2004 (20.12.2004) US

AT, AU, AZ, BA, BB, BG, BR, BW, BY, BZ, CA, CH, CN, CO, CR, CU, CZ, DE, DK, DM, DZ, EC, EE, EG, ES, FI, GB, GD, GE, GH, GM, HR, HU, ID, IL, IN, IS, JP, KE, KG, KM, KP, KR, KZ, LC, LK, LR, LS, LT, LU, LV, MA, MD, MG, MK, MN, MW, MX, MZ, NA, NG, NI, NO, NZ, OM, PG, PH, PL, PT, RO, RU, SC, SD, SE, SG, SK, SL, SM, SY, TJ, TM, TN, TR, TT, TZ, UA, UG, US, UZ, VC, VN, YU, ZA, ZM, ZW.

(84) Designated States (unless otherwise indicated, for every kind of regional protection available): ARIPO (BW, GH, GM, KE, LS, MW, MZ, NA, SD, SL, SZ, TZ, UG, ZM, ZW), Eurasian (AM, AZ, BY, KG, KZ, MD, RU, TJ, TM), European (AT, BE, BG, CH, CY, CZ, DE, DK, EE, ES, FI, FR, GB, GR, HU, IE, IS, IT, LT, LU, MC, NL, PL, PT, RO, SE, SI, SK, TR), OAPI (BF, BJ, CF, CG, CI, CM, GA, GN, GQ, GW, ML, MR, NE, SN, TD, TG).

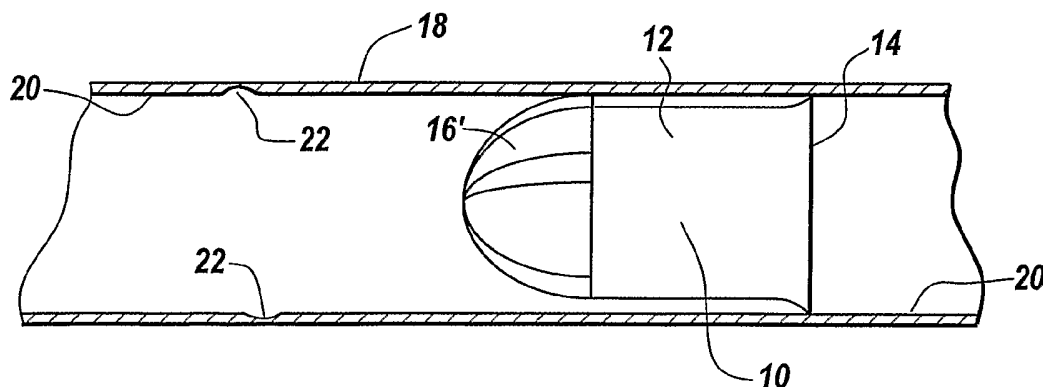
- (71) Applicant (for all designated States except US): PLAS-TOCOR, INC. [US/US]; 100 Research Road, Hingham, MA 02043 (US).
- (72) Inventor; and
- (75) Inventor/Applicant (for US only): HORN, Michael, J. [US/US]; 30 Woods End Road, Dedham, MA 02026 (US).
- (74) Agents: SMURZYNSKI, Thomas, V. et al.; Lahive & Cockfield, LLP, 28 State Street, Boston, MA 02109 (US).
- (81) Designated States (unless otherwise indicated, for every kind of national protection available): AE, AG, AL, AM,

Published:  
— with international search report  
— before the expiration of the time limit for amending the claims and to be republished in the event of receipt of amendments

(88) Date of publication of the international search report:  
28 September 2006

For two-letter codes and other abbreviations, refer to the "Guidance Notes on Codes and Abbreviations" appearing at the beginning of each regular issue of the PCT Gazette.

(54) Title: SYSTEM AND METHOD FOR COATING TUBES



(57) Abstract: The present invention relates to coating of tubes, and more particularly to a system (10) and method for coating and/or renovating deteriorated or pitted tubes (18) to extend tube life and enhance performance. Using this system and method a thin coating is applied to the interior of a tube such that the coating is uniform in thickness and covers all regions of the tube. The coating material may be selected to minimize changes in heat transfer or may be selected to provide for the change in working fluid within the tube such that the working fluid does not negatively interact with the tube material.

WO 2006/009926 A3

# INTERNATIONAL SEARCH REPORT

Inter. No. \_\_\_\_\_  
PCT/US05/21618

**A. CLASSIFICATION OF SUBJECT MATTER**  
 IPC: **B05C 7/08( 2006.01);B05D 7/22( 2006.01)**  
  
 USPC: 118/215,317,DIG. 10,408;427/230,235  
 According to International Patent Classification (IPC) or to both national classification and IPC

**B. FIELDS SEARCHED**  
 Minimum documentation searched (classification system followed by classification symbols)  
 U.S. : 118/215,317,DIG. 10,408;427/230,235

Documentation searched other than minimum documentation to the extent that such documents are included in the fields searched


Electronic data base consulted during the international search (name of data base and, where practicable, search terms used)

**C. DOCUMENTS CONSIDERED TO BE RELEVANT**

Category *	Citation of document, with indication, where appropriate, of the relevant passages	Relevant to claim No.
X --- Y	US 6,263,534 A (MCCANN ET AL) 24 July 2001 (24.07.01), col. 2, lines 1-50.	1-11 and 13-22 ----- 12
Y	JP62-191077 B ((HITACHI CABLE LTD) 21 August 1987 (21.08.87), see abstract.	12

Further documents are listed in the continuation of Box C.       See patent family annex.

* Special categories of cited documents: "A" document defining the general state of the art which is not considered to be of particular relevance "E" earlier application or patent published on or after the international filing date "L" document which may throw doubts on priority claim(s) or which is cited to establish the publication date of another citation or other special reason (as specified) "O" document referring to an oral disclosure, use, exhibition or other means "P" document published prior to the international filing date but later than the priority date claimed	"T" later document published after the international filing date or priority date and not in conflict with the application but cited to understand the principle or theory underlying the invention "X" document of particular relevance; the claimed invention cannot be considered novel or cannot be considered to involve an inventive step when the document is taken alone "Y" document of particular relevance; the claimed invention cannot be considered to involve an inventive step when the document is combined with one or more other such documents, such combination being obvious to a person skilled in the art "&" document member of the same patent family
--	--

Date of the actual completion of the international search 13 June 2006 (13.06.2006)	Date of mailing of the international search report <div style="font-size: 1.5em; font-weight: bold; text-align: center;">01 AUG 2006</div>
Name and mailing address of the ISA/US Mail Stop PCT, Attn: ISA/US Commissioner for Patents P.O. Box 1450 Alexandria, Virginia 22313-1450 Facsimile No. (571) 273-3201	Authorized officer  Telephone No. 571-272-1700