



US00D960317S

(12) **United States Design Patent**
Jia

(10) **Patent No.:** **US D960,317 S**

(45) **Date of Patent:** **** Aug. 9, 2022**

(54) **SHOWER HEAD**

(71) Applicant: **SHENZHEN ZHURONG NETWORK TECHNOLOGY CO. LTD**, Shenzhen (CN)

(72) Inventor: **Yunpeng Jia**, Shanxi Province (CN)

(**) Term: **15 Years**

(21) Appl. No.: **29/797,525**

(22) Filed: **Jul. 1, 2021**

(51) **LOC (13) Cl.** **23-01**

(52) **U.S. Cl.**
USPC **D23/223**

(58) **Field of Classification Search**
USPC D23/213, 214, 215, 223, 224, 226, 229, D23/230

CPC A61H 9/0021; A61H 33/00; B05B 1/00; B05B 1/14; B05B 1/185; B05B 1/08; B05B 1/02; B05B 1/26; B05B 12/002; B05B 1/18; B05B 9/01

See application file for complete search history.

(56) **References Cited**

U.S. PATENT DOCUMENTS

D578,606	S	*	10/2008	Wu	D23/223
D619,202	S	*	7/2010	Zhang	D23/213
D652,106	S	*	1/2012	Yoo	D23/213
D670,358	S	*	11/2012	Bai	D23/223
D900,963	S	*	11/2020	Wu	D23/223
D901,632	S	*	11/2020	Wu	D23/223
D901,633	S	*	11/2020	Wang	D23/223
D908,836	S	*	1/2021	Wu	D23/213
D908,839	S	*	1/2021	Wu	D23/223
D922,522	S	*	6/2021	Lin	
D930,790	S	*	9/2021	Yan	D23/223
D935,559	S	*	11/2021	He	D23/226

OTHER PUBLICATIONS

Handheld Shower Head—SIQUER High Pressure 5 Spray Setting Hand Held Shower Heads, Nov. 1, 2019, amazon.ca, Feb. 18, 2022, URL: <https://www.amazon.ca/Handheld-Pressure-Setting-Adjustable-Showerhead/dp/B07ZVRY7R8/> (Year: 2019).*
HotelSpa Spectrum™ Ultra-Luxury 7-Setting / 7-Color LED Handheld Shower, Dec. 31, 2014, amazon.ca, Feb. 18, 2022, URL: https://www.amazon.ca/dp/B00JV4KSTE/ref=sbl_dp_ca-home-improvement-bathroom-handheld-showerheads_B08HV44TJ1_0 (Year: 2014).*

(Continued)

Primary Examiner — Keith J Wilson

(57) **CLAIM**

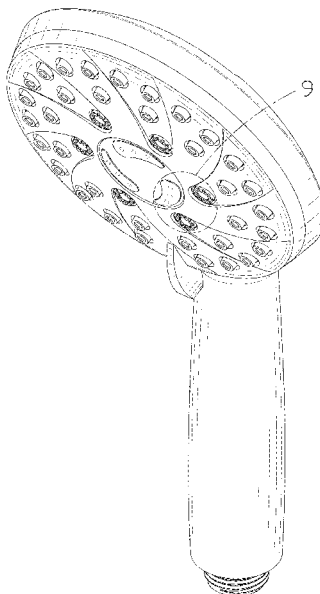
The ornamental design for a shower head, as shown and described.

DESCRIPTION

FIG. 1 is a front and top perspective view of a shower head, showing my new design;
FIG. 2 is a rear and bottom perspective view thereof;
FIG. 3 is a front elevation view thereof;
FIG. 4 is a rear elevation view thereof;
FIG. 5 is a left side elevation view thereof;
FIG. 6 is a right side elevation view thereof;
FIG. 7 is a top plan view thereof;
FIG. 8 is a bottom plan view thereof;
FIG. 9 is an enlarged view of a portion labeled of a portion indicated with numeric 9 in FIG. 1; and,
FIG. 10 is an enlarged view of a portion labeled of a portion indicated with numeric 10 in FIG. 3.

The broken lines in the figures illustrate portions of the shower head that form no part of the claimed design. The dash dot dash lines in FIGS. 1, 3, 9 and 10 are for the purpose of depicting the cut line of the enlarged view and form no part of the claim.

1 Claim, 10 Drawing Sheets



(56)

References Cited

OTHER PUBLICATIONS

High Pressure 6-inch / 6-Setting Premium Rain Shower Head by AquaDance , Mar. 8, 2017, amazon.ca, Feb. 18, 2022, URL: <https://www.amazon.ca/AquaDance-Experience-Officially-Independently-Performance/dp/B01N0APMYX/> (Year: 2017).*

AquaDance High Pressure 6-Setting 3.5" Chrome Face Handheld Shower with Hose, Sep. 30, 2016, amazon.ca, Feb. 18, 2022, URL: <https://www.amazon.ca/AquaDance-Experience-Officially-Independently-Performance/dp/B01H2DG1SW/> (Year: 2016).*

* cited by examiner

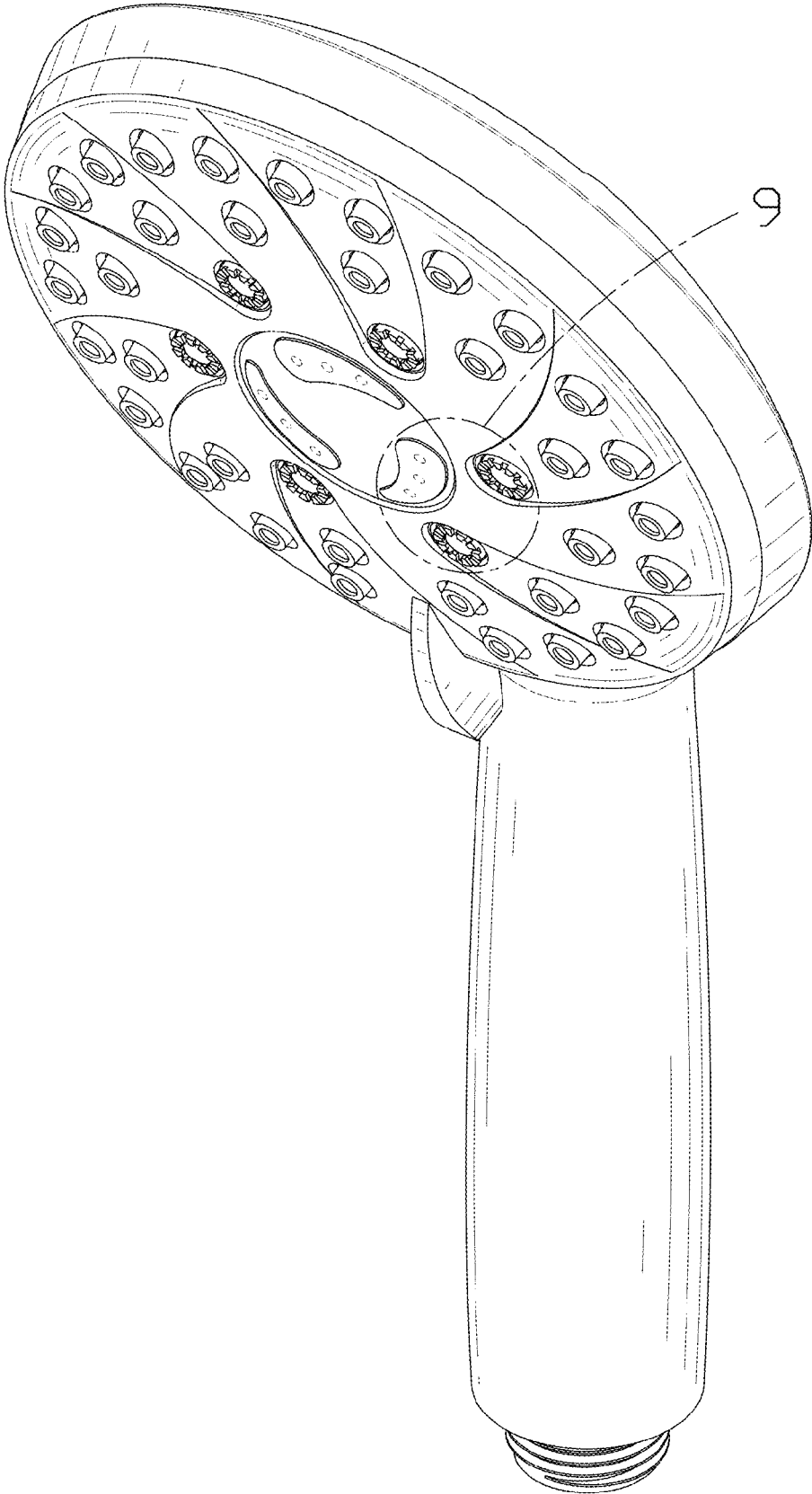


FIG. 1

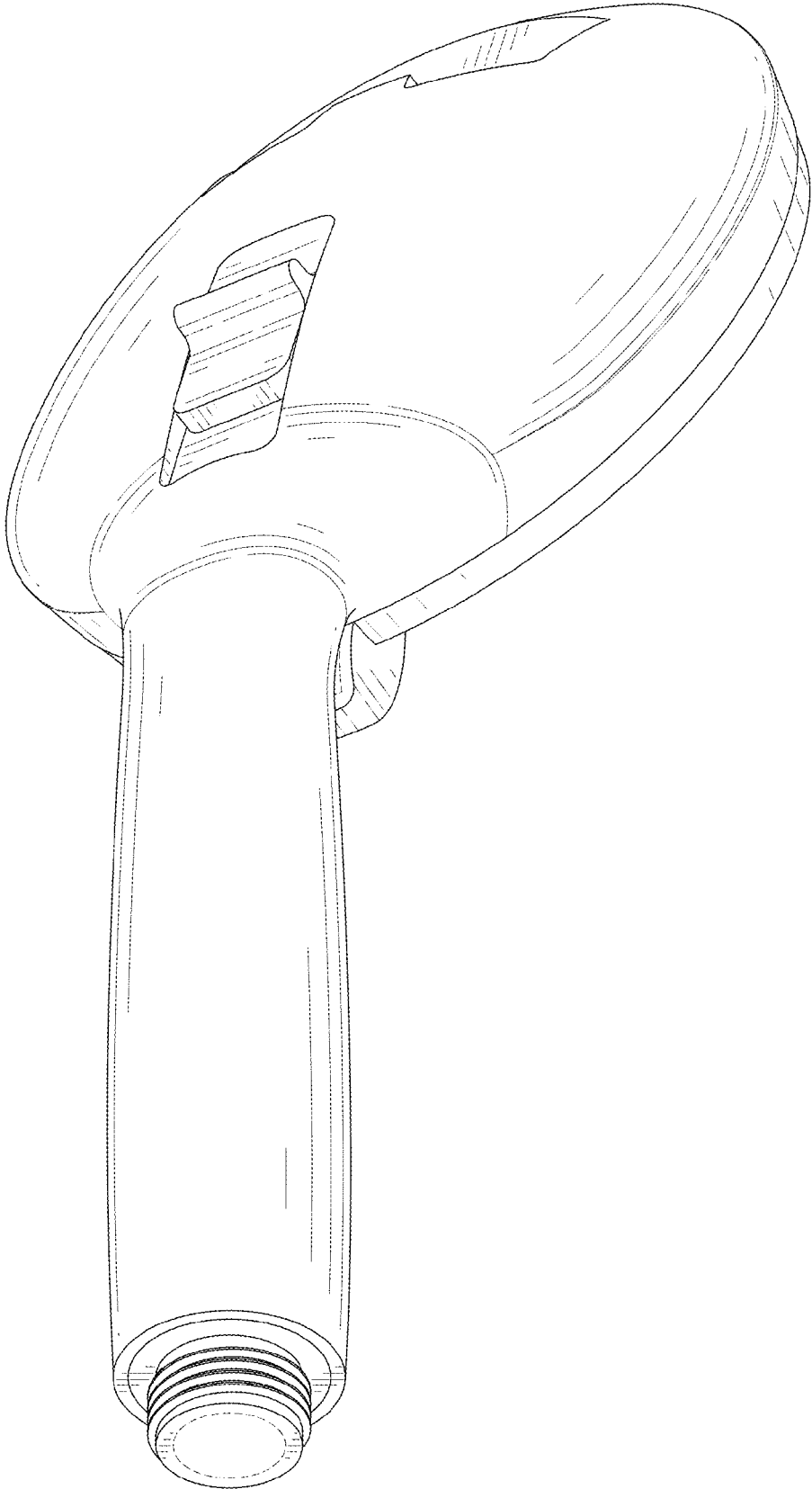


FIG. 2

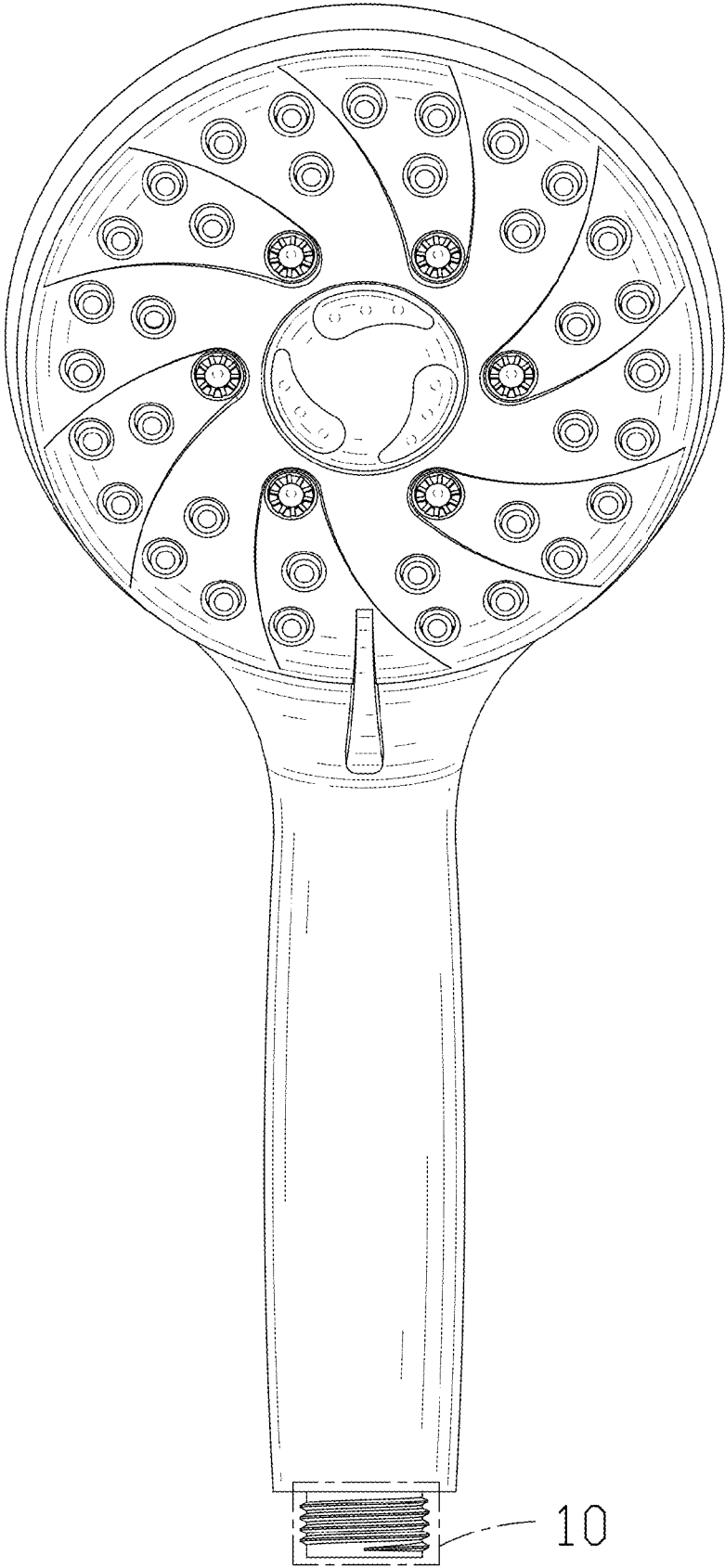


FIG. 3

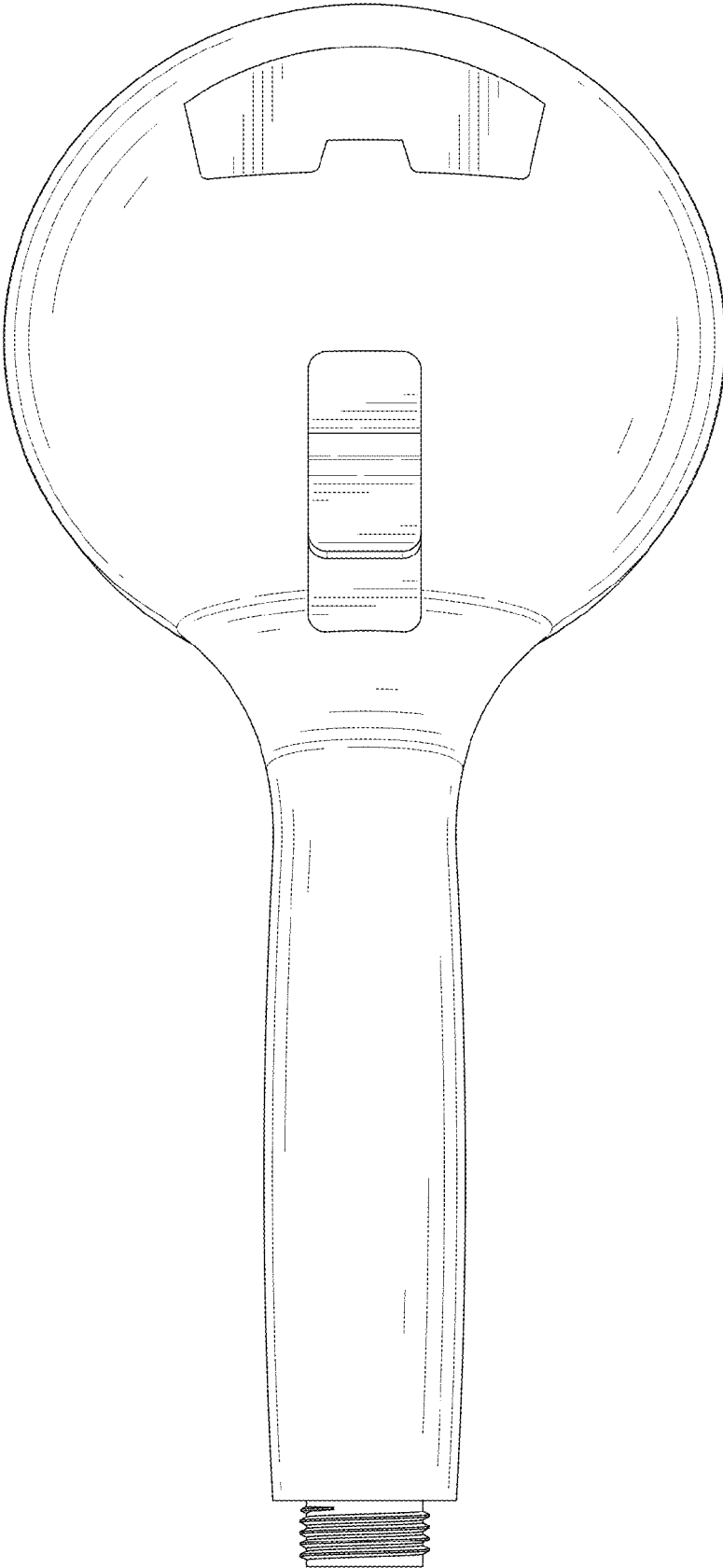


FIG. 4

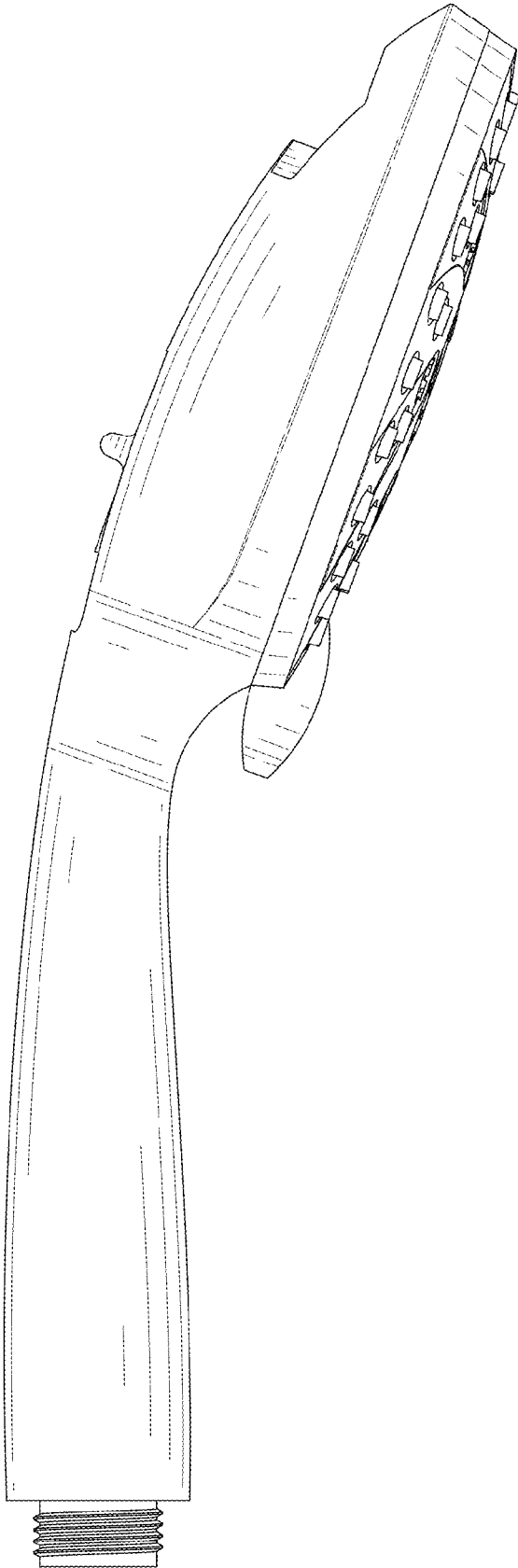


FIG. 5

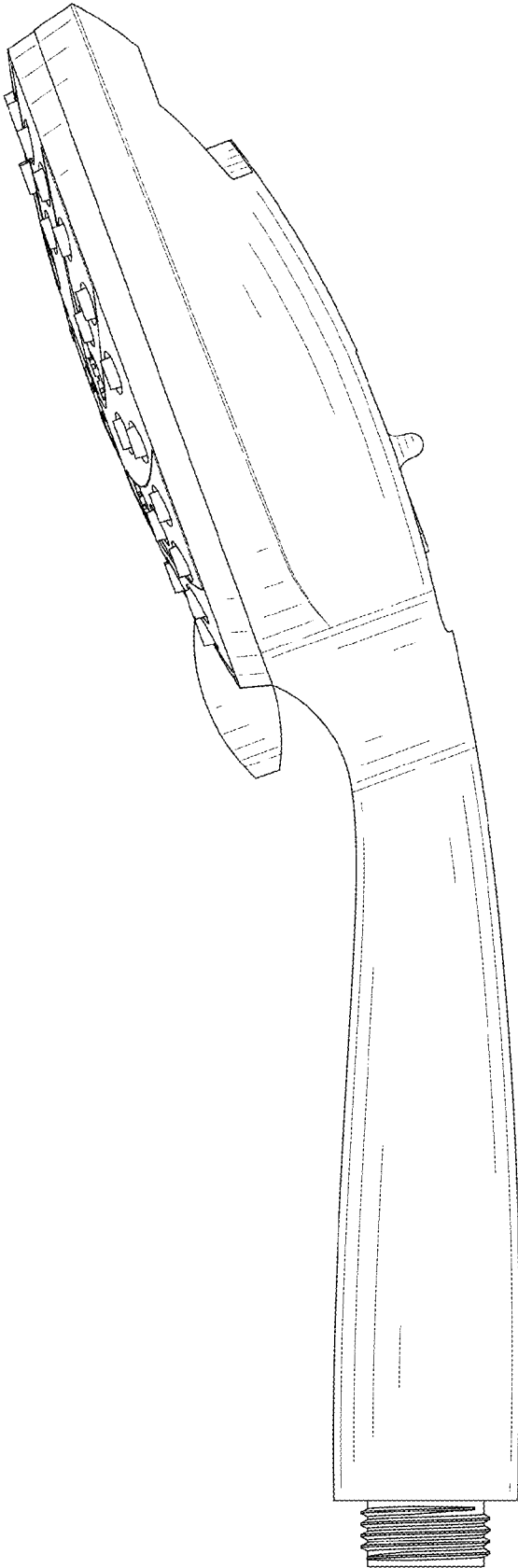


FIG. 6

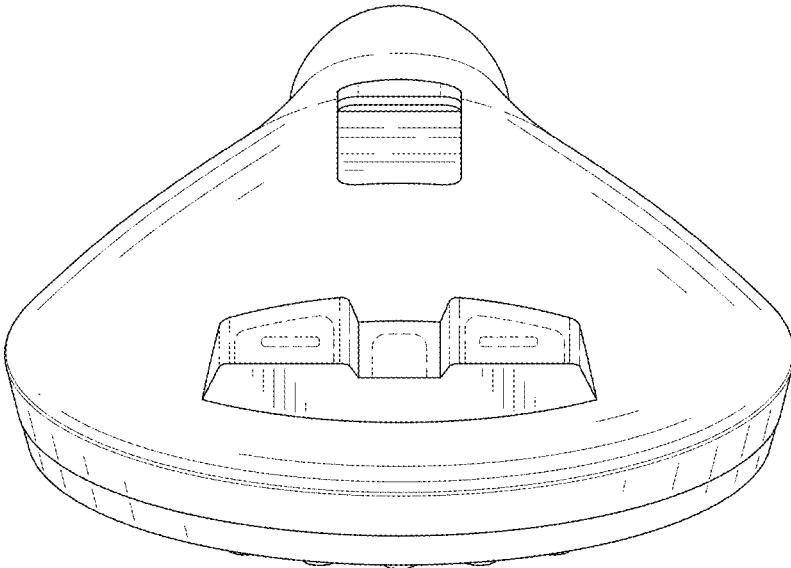


FIG. 7

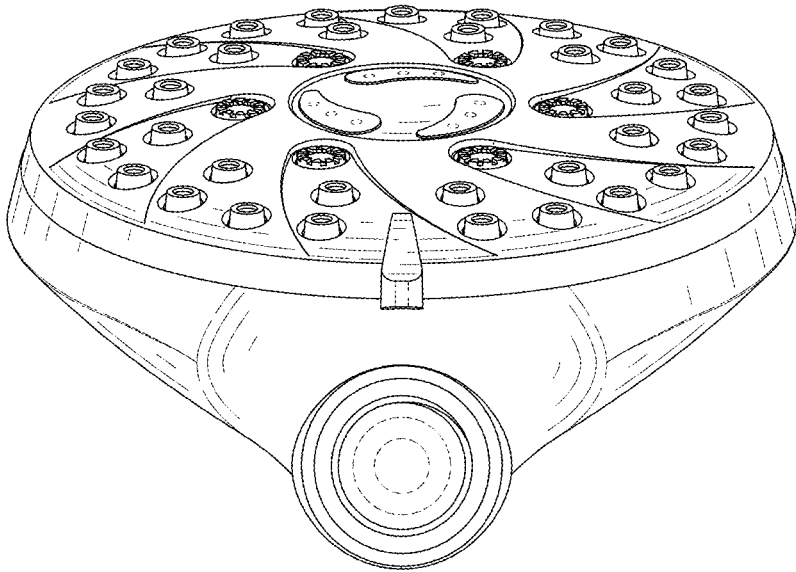


FIG. 8

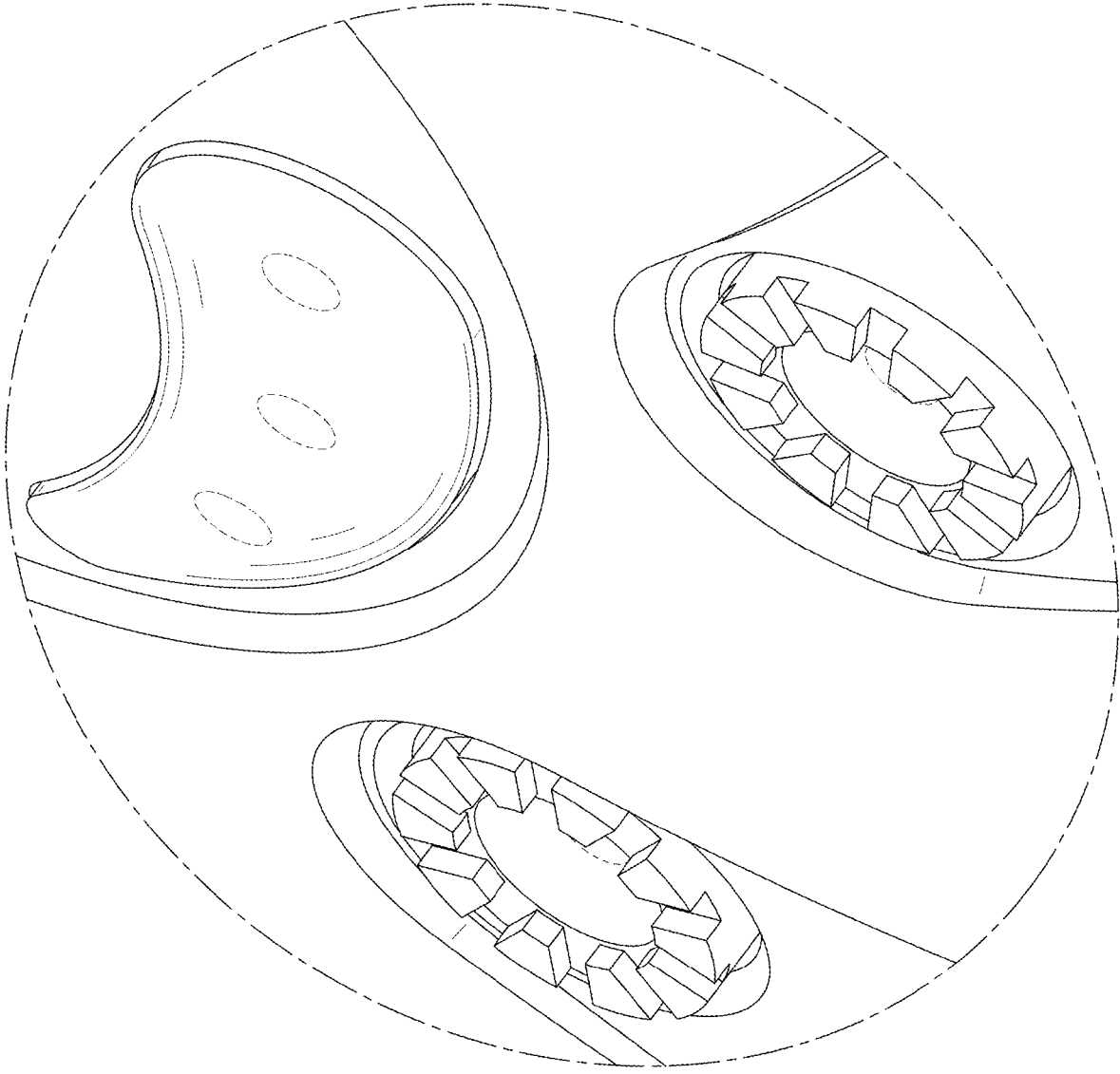


FIG. 9

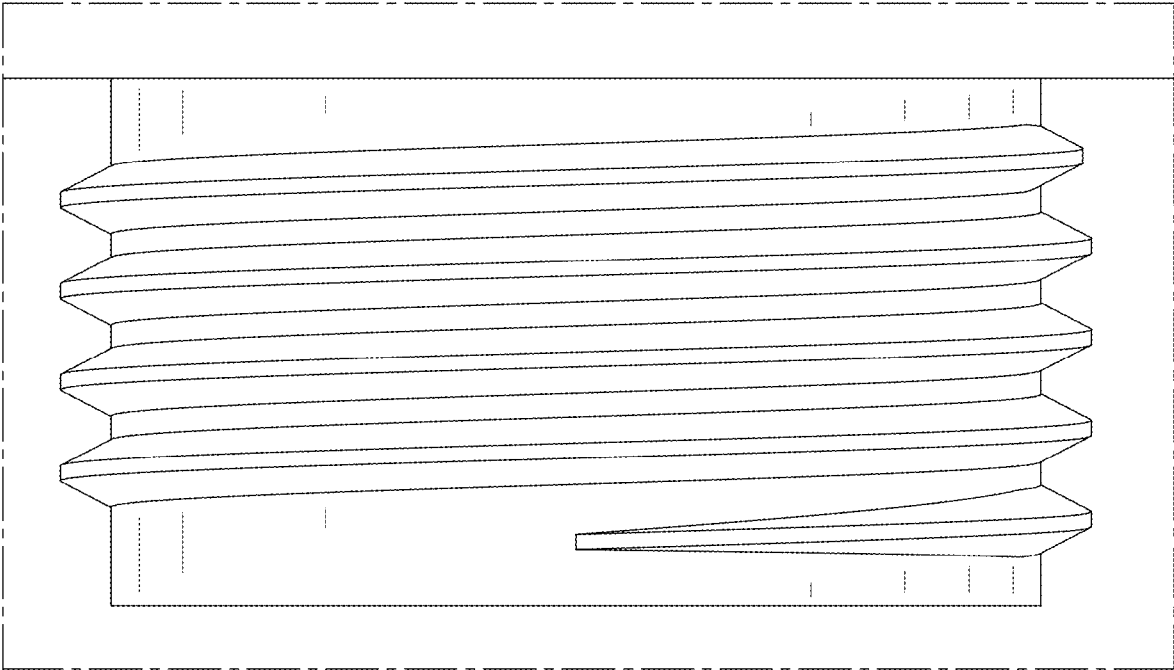


FIG. 10