



US00D942244S

(12) **United States Design Patent**
Luebeck

(10) **Patent No.:** **US D942,244 S**

(45) **Date of Patent:** **** Feb. 1, 2022**

- (54) **DOOR HARDWARE SET**
- (71) Applicant: **Carrier Corporation**, Palm Beach Gardens, FL (US)
- (72) Inventor: **Jon Marc Luebeck**, Stayton, OR (US)
- (73) Assignee: **CARRIER CORPORATION**, Palm Beach Gardens, FL (US)

D471,079 S *	3/2003	Ellis	E05B 3/00
				D8/350
D495,229 S *	8/2004	Ellis	E05B 59/00
				D8/301
D579,760 S *	11/2008	Roberts, III	D8/350
9,834,956 B2 *	12/2017	Hogan	E05B 3/00
9,890,564 B2 *	2/2018	Wong	E05B 59/00
10,626,634 B2 *	4/2020	Verderaime	E05B 13/005
10,753,121 B2 *	8/2020	Morse	E05B 3/065

(**) Term: **15 Years**

* cited by examiner

Primary Examiner — Doris Clark

(21) Appl. No.: **29/705,613**

(74) *Attorney, Agent, or Firm* — Carlson, Gaskey & Olds, P.C.

(22) Filed: **Sep. 13, 2019**

(51) **LOC (13) Cl.** **11-05**

(57) **CLAIM**

(52) **U.S. Cl.**
USPC **D8/350**

I claim the ornamental design of a door hardware set, as shown and described.

(58) **Field of Classification Search**
USPC D8/301, 302, 343, 350
CPC E05B 13/101; E05B 13/106; E05B 13/00;
E05B 13/002; E05B 13/04; E05B
47/0676; E05B 55/06; Y10T 70/8568
See application file for complete search history.

DESCRIPTION

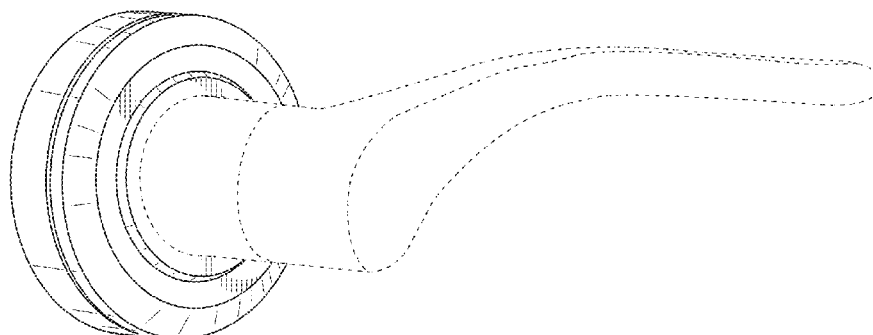
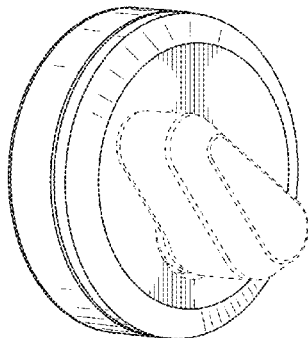
(56) **References Cited**

U.S. PATENT DOCUMENTS

4,606,203 A *	8/1986	Esser	E05B 59/00
				70/107
D391,830 S *	3/1998	Carsello	E05B 59/00
				D8/302
D411,732 S *	6/1999	Chamberlain	E05B 13/005
				D8/350

FIG. 1 is a perspective view of a door hardware set that includes a thumbturn rosette and handle rosette. FIG. 2 is a front view of the door hardware set of FIG. 1. FIG. 3 is a first side view of the door hardware set of FIG. 1; and, FIG. 4 is second side view of the door hardware set of FIG. 1 that is opposite the first side view of FIG. 3. The broken lines in the Figures are for illustrative purposes only and form no part of the claimed design. The shade lines in the Figures show contour or the flatness of a surface, and not surface ornamentation.

1 Claim, 4 Drawing Sheets



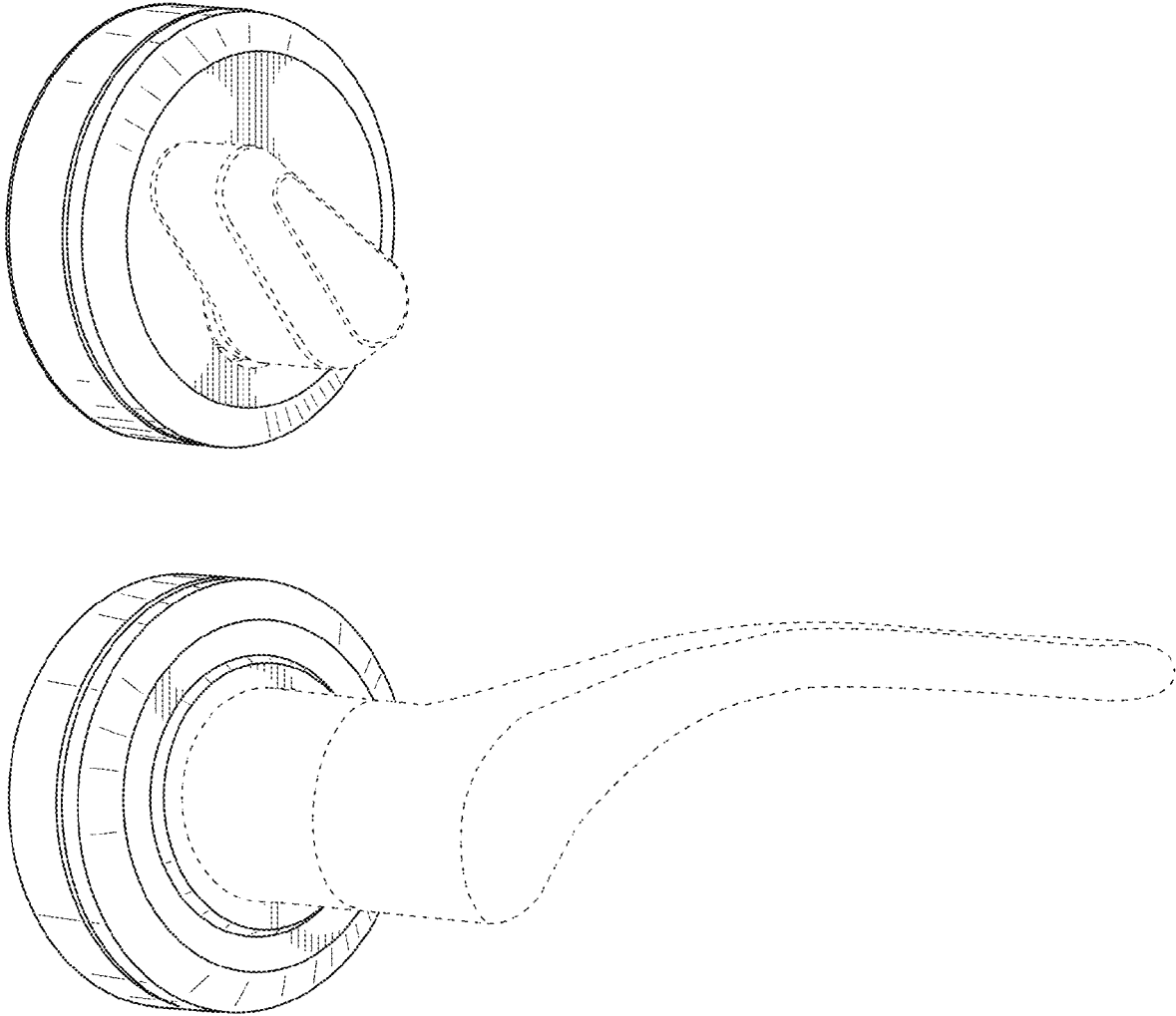


FIG. 1

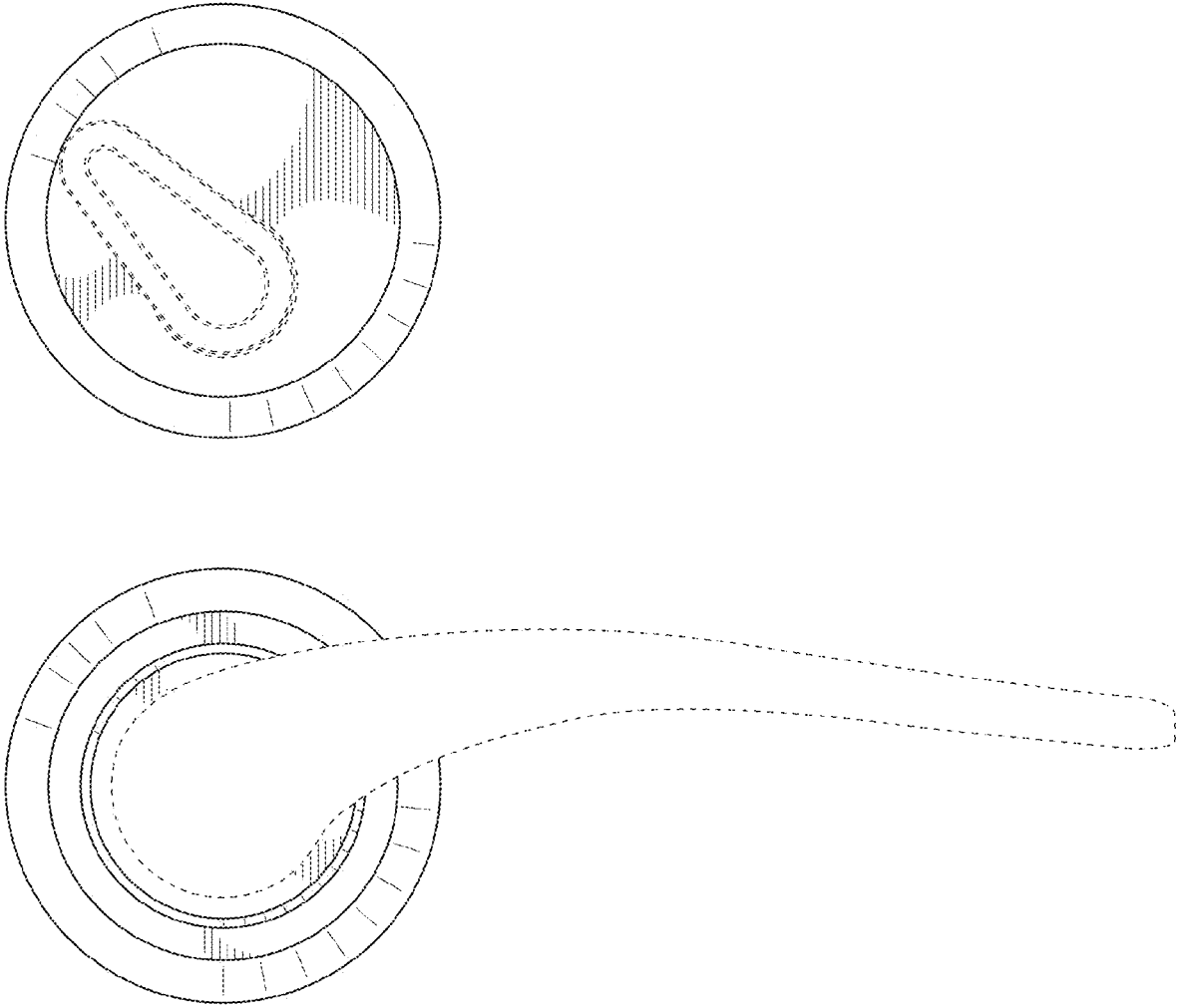


FIG. 2

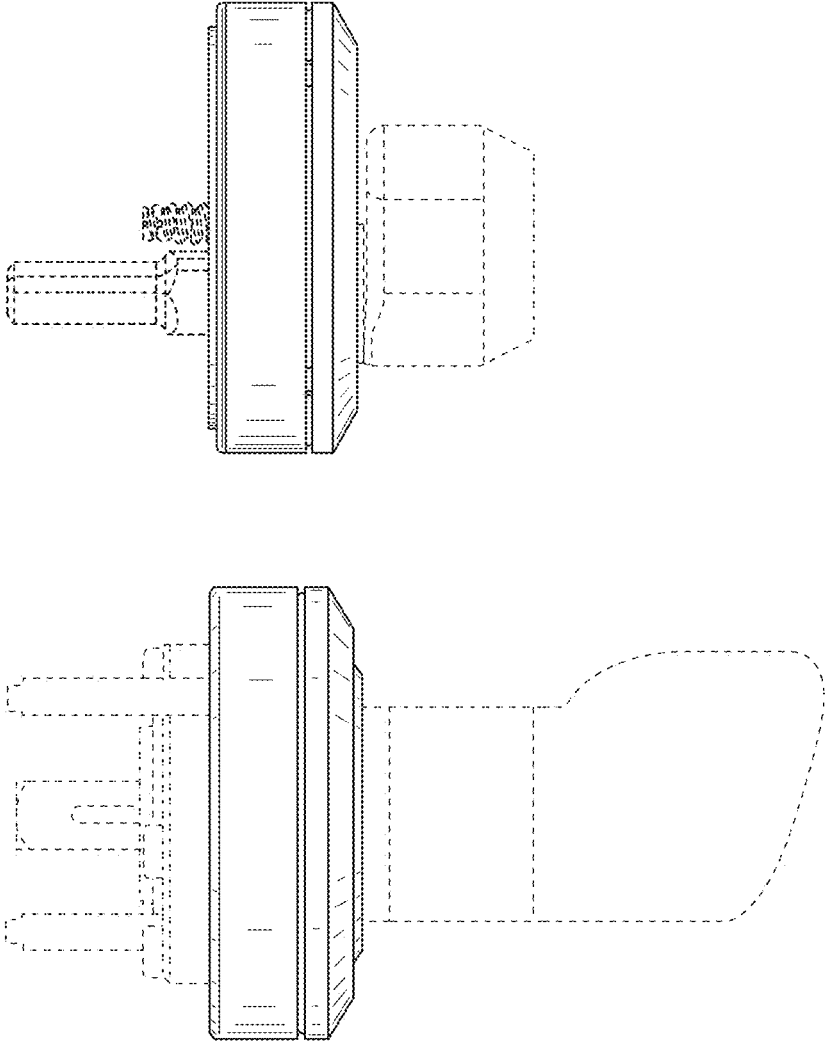


FIG. 3

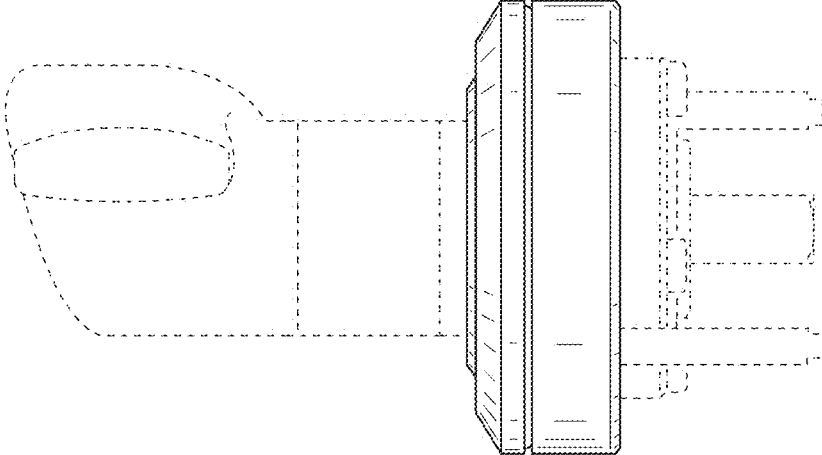
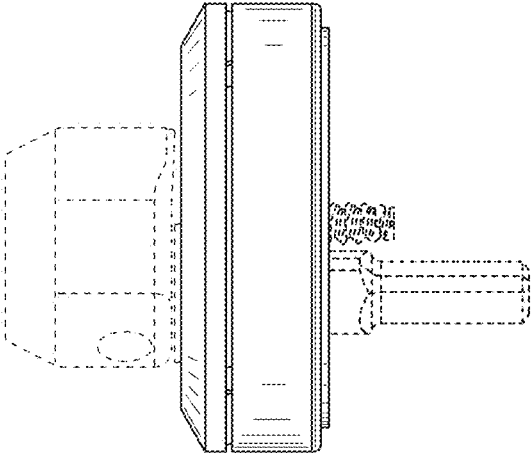


FIG. 4