

[54] PORTABLE WATER FILTER

[56] References Cited

[76] Inventor: Robert S. Luzenberg, Jr., 135 First St. East, Unit 301, Tierra Verde, Fla. 33715

U.S. PATENT DOCUMENTS

275,978	4/1883	Barrington .....	210/449
D. 296,352	6/1988	Luzenberg .....	D23/208
494,837	4/1893	Bellamy .....	210/449
2,314,357	4/1940	Lehman .....	210/449

[\*\*] Term: 14 Years

Primary Examiner—Susan J. Lucas  
Assistant Examiner—M. H. Tung

[21] Appl. No.: 48,921

[57] CLAIM

The ornamental design for a portable water filter, as shown and described.

[22] Filed: May 13, 1987

DESCRIPTION

Related U.S. Application Data

[63] Continuation-in-part of Ser. No. 936,376, Dec. 1, 1986, Pat. No. 296,352.

[52] U.S. Cl. .... D23/209

[58] Field of Search ..... D23/207-210; 210/437, 409, 449, 435, 443-448, 282, 416.3

FIG. 1 is an isometric view of a portable water filter showing my new design, with the broken lines shown for illustrative purposes only and forming no part of my claimed design;

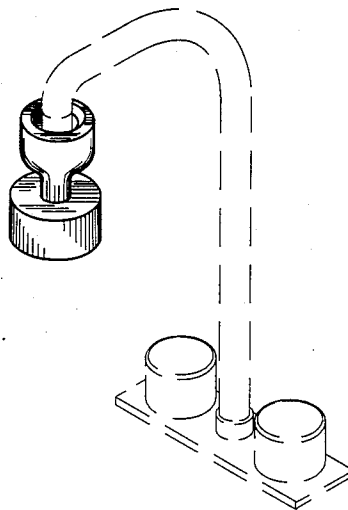
FIG. 2 is an isometric view showing the top thereof;

FIG. 3 is an isometric view showing the bottom thereof;

FIG. 4 is a side elevational view thereof;

FIG. 5 is a top plan view thereof; and

FIG. 6 is a bottom plan view thereof.



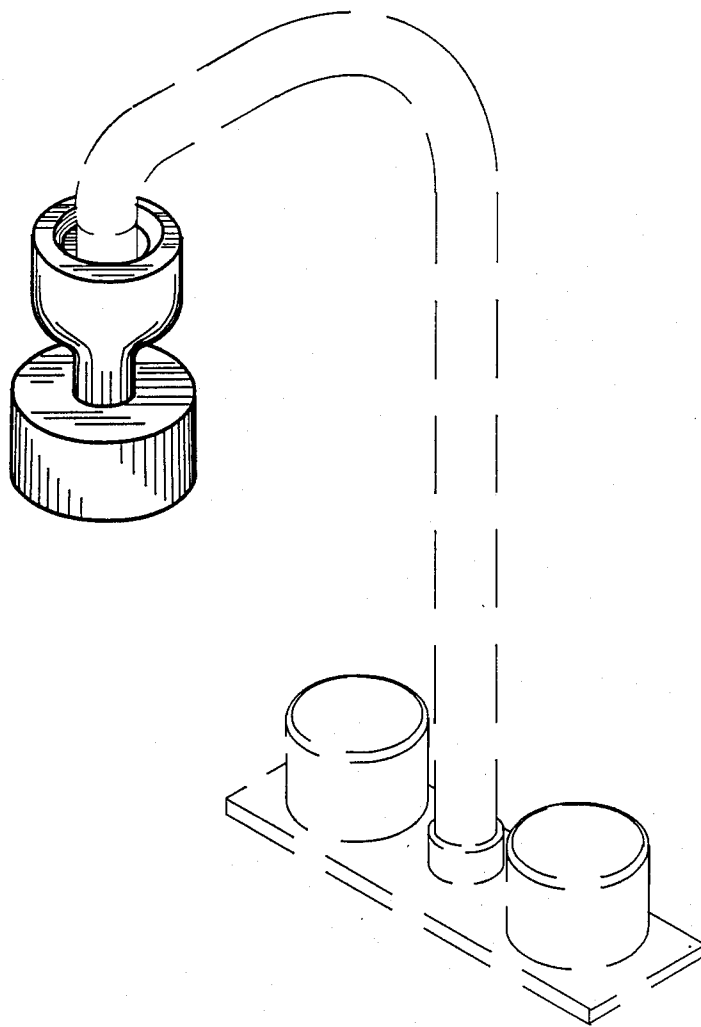


FIG. 1

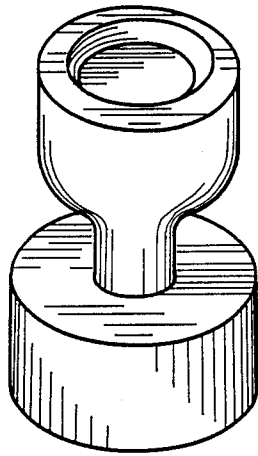


FIG. 2

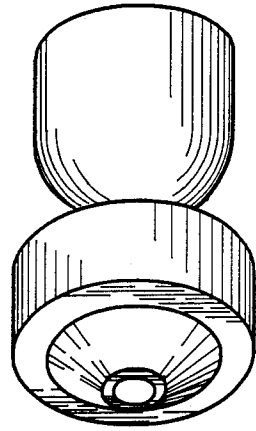


FIG. 3

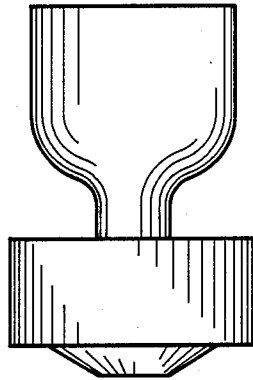


FIG. 4

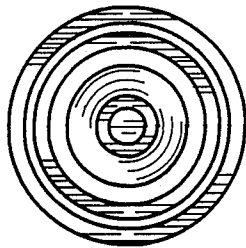


FIG. 5

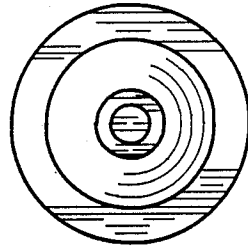


FIG. 6