



US0D1017755S

(12) **United States Design Patent**
Zimmer et al.

(10) **Patent No.:** **US D1,017,755 S**

(45) **Date of Patent:** **** Mar. 12, 2024**

(54) **OPTICAL SIGHT MOUNT**

- (71) Applicants: **Trent Zimmer**, Broussard, LA (US);
Blake Gettig, Youngsville, LA (US)
- (72) Inventors: **Trent Zimmer**, Broussard, LA (US);
Blake Gettig, Youngsville, LA (US)
- (73) Assignee: **Division Group, LLC**, Youngsville, LA (US)
- (**) Term: **15 Years**
- (21) Appl. No.: **29/828,217**
- (22) Filed: **Feb. 24, 2022**
- (51) **LOC (14) Cl.** **22-01**
- (52) **U.S. Cl.**
USPC **D22/110; D8/394**
- (58) **Field of Classification Search**
USPC D8/394; D22/108, 109, 110, 199
CPC F14G 11/001; F14G 11/004; F41G 1/16
See application file for complete search history.

(56) **References Cited**

U.S. PATENT DOCUMENTS

D623,254	S	*	9/2010	Larsson	D22/108
D697,576	S	*	1/2014	Swan	D22/109
9,395,158	B2	*	7/2016	Collin	F41G 11/003
D784,481	S	*	4/2017	Ding	D22/110
D785,745	S	*	5/2017	McKillips	D22/109
9,677,854	B1	*	6/2017	Tran	F41G 11/003
D835,748	S	*	12/2018	Stewart	D22/110
D849,871	S	*	5/2019	McKillips	D22/109
10,371,317	B2	*	8/2019	Chen	F16M 13/022
D907,161	S	*	1/2021	Chin	D22/110
D969,958	S	*	11/2022	Hamilton	D22/109
D973,826	S	*	12/2022	Kincel	D22/109
D974,519	S	*	1/2023	Liu	D22/110
D987,013	S	*	5/2023	Roberson	D22/110
D987,014	S	*	5/2023	Roberson	D22/110
D989,221	S	*	6/2023	Roberson	D22/110
2018/0259298	A1	*	9/2018	Gao	F16B 2/18

(Continued)

OTHER PUBLICATIONS

Fast Comp Series Mount, Unity Tactical Online Product Page. Earliest Publication Date: Apr. 5, 2022. Date Accessed: Oct. 31, 2023. Retrieved from Internet URL: <https://www.unitytactical.com/product/fast-comp-mount/> (Year: 2022).*

(Continued)

Primary Examiner — S. Bryan Reinholdt, Jr.

Assistant Examiner — Kaitlan Walker

(74) *Attorney, Agent, or Firm* — Asgaard Patent Services, LLC; F. Wayne Thompson, Jr.

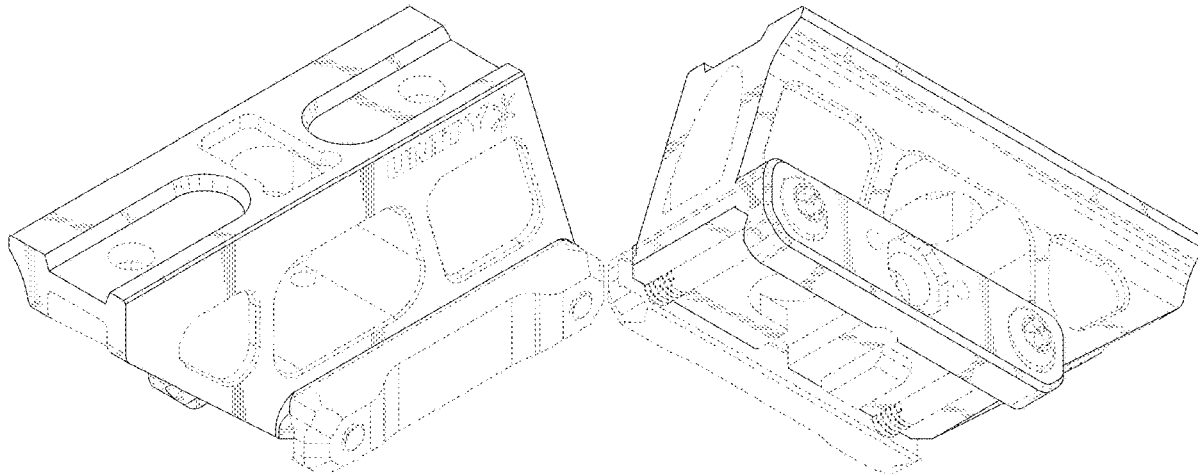
(57) **CLAIM**

The ornamental design for an optical sight mount, as shown and described.

DESCRIPTION

FIG. 1 is a top isometric view of an optical sight mount according to the present disclosure;
 FIG. 2 is a bottom isometric view of the optical sight mount shown in FIG. 1;
 FIG. 3 is a front elevational view of the optical sight mount shown in FIG. 1;
 FIG. 4 is a back elevational view of the optical sight mount shown in FIG. 1;
 FIG. 5 is a right side elevational view of the optical sight mount shown in FIG. 1;
 FIG. 6 is a left side elevational view of the optical sight mount shown in FIG. 1;
 FIG. 7 is a top plan view of the optical sight mount shown in FIG. 1; and,
 FIG. 8 is a bottom plan view of the optical sight mount shown in FIG. 1.
 The broken lines represent portions of the optical sight mount that form no part of the claimed design.

1 Claim, 7 Drawing Sheets



(56)

References Cited

U.S. PATENT DOCUMENTS

2019/0145731 A1* 5/2019 Stewart F41C 27/00
42/90
2023/0213316 A1* 7/2023 Chester F41G 11/003
42/136

OTHER PUBLICATIONS

Unity Tactical FST-Comb Fast, Amazon Online Product Page.
Earliest Publication Date: Apr. 13, 2023. Date Accessed: Oct. 31,
2023. Retrieved from Internet URL: [https://www.amazon.com/Unity-Tactical-FST-Comb-Aimpoint%C2%AE-Footprint/dp/B0C2FLJ9JX/
ref=](https://www.amazon.com/Unity-Tactical-FST-Comb-Aimpoint%C2%AE-Footprint/dp/B0C2FLJ9JX/ref=) (Year: 2023).*

* cited by examiner

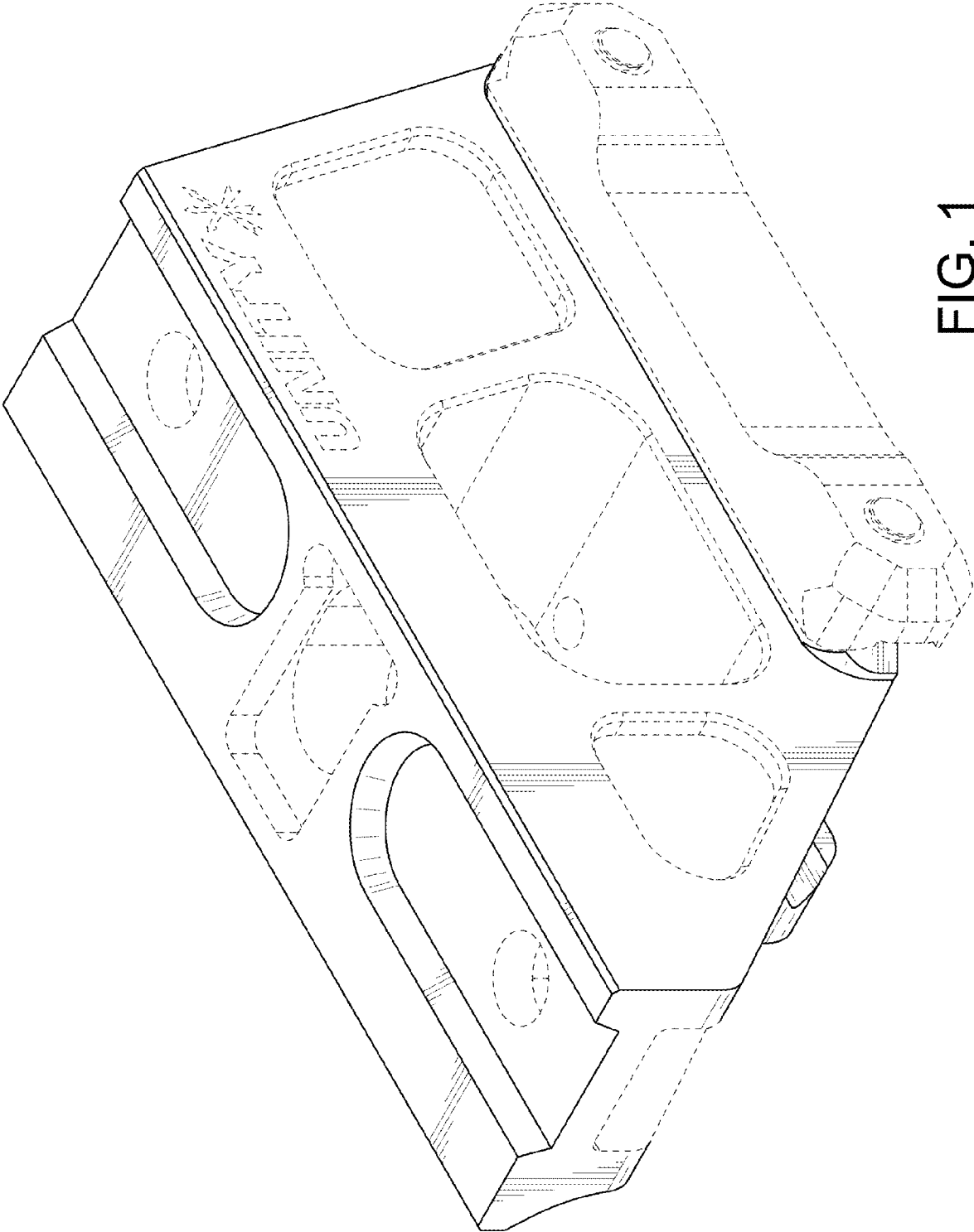


FIG. 1

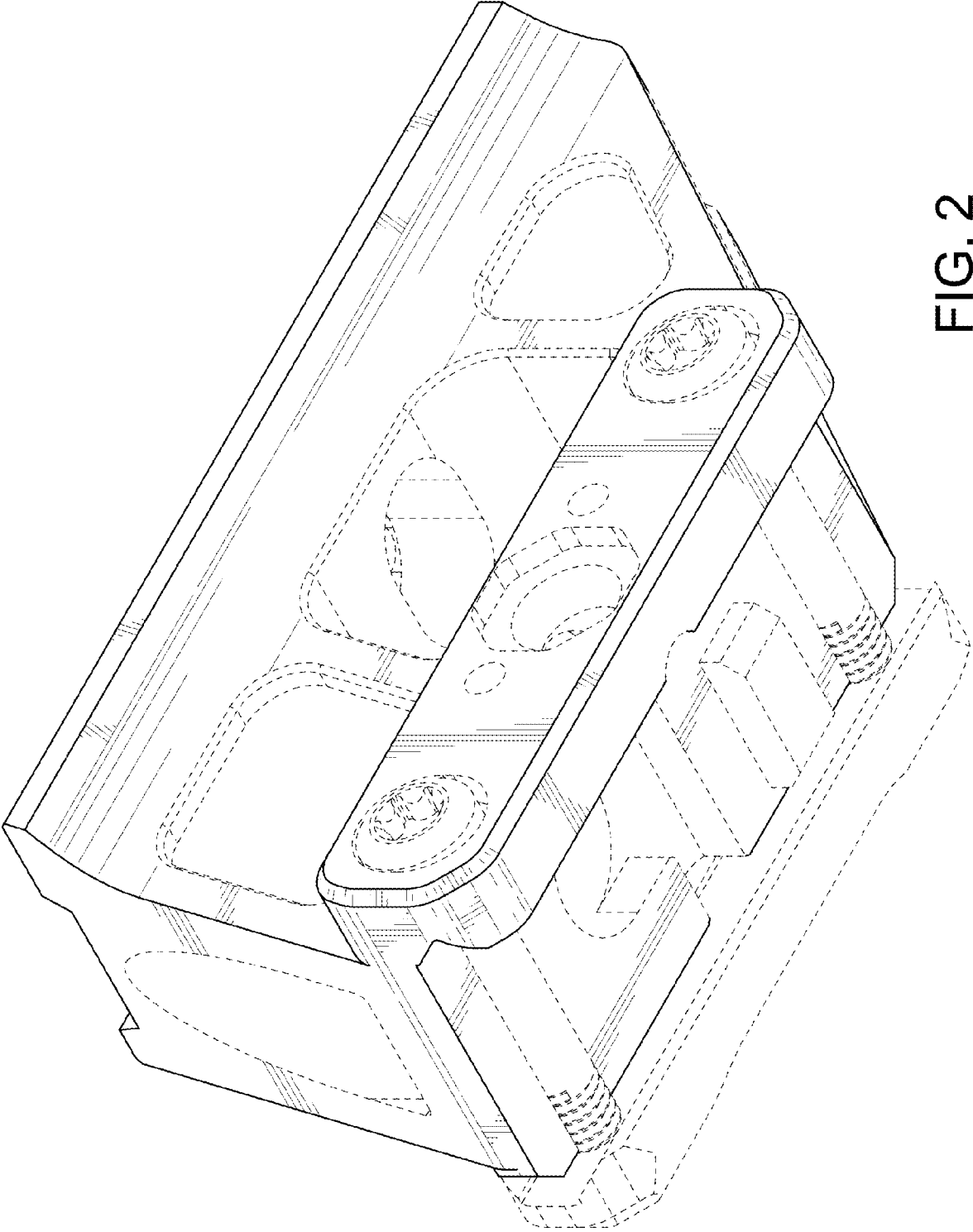


FIG. 2

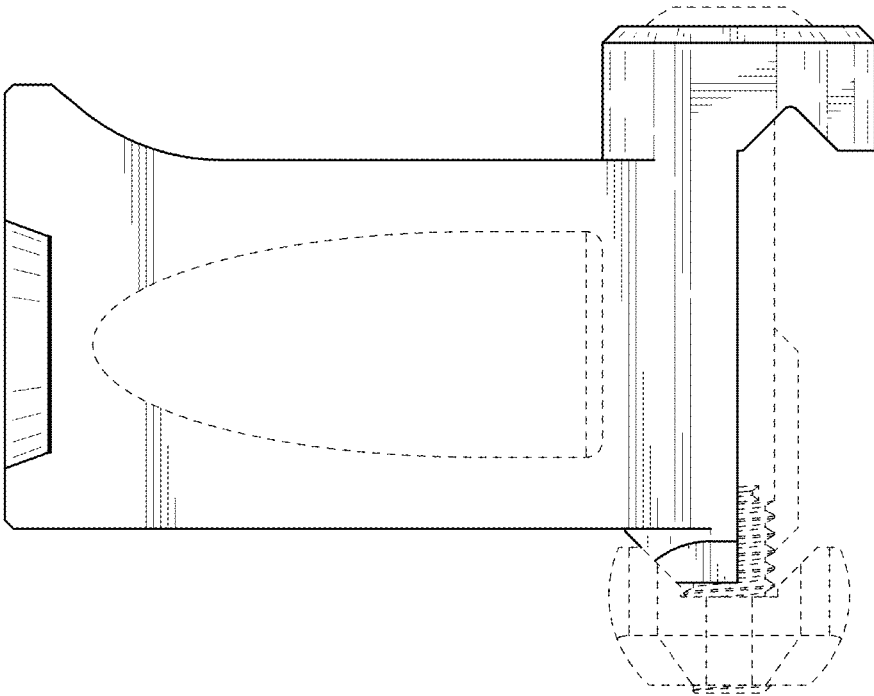


FIG. 4

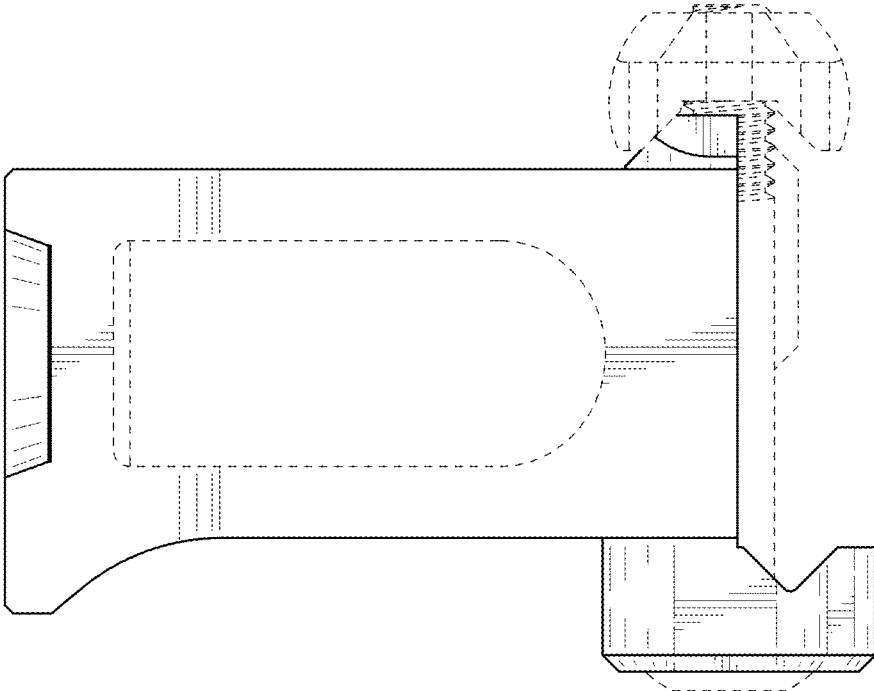


FIG. 3

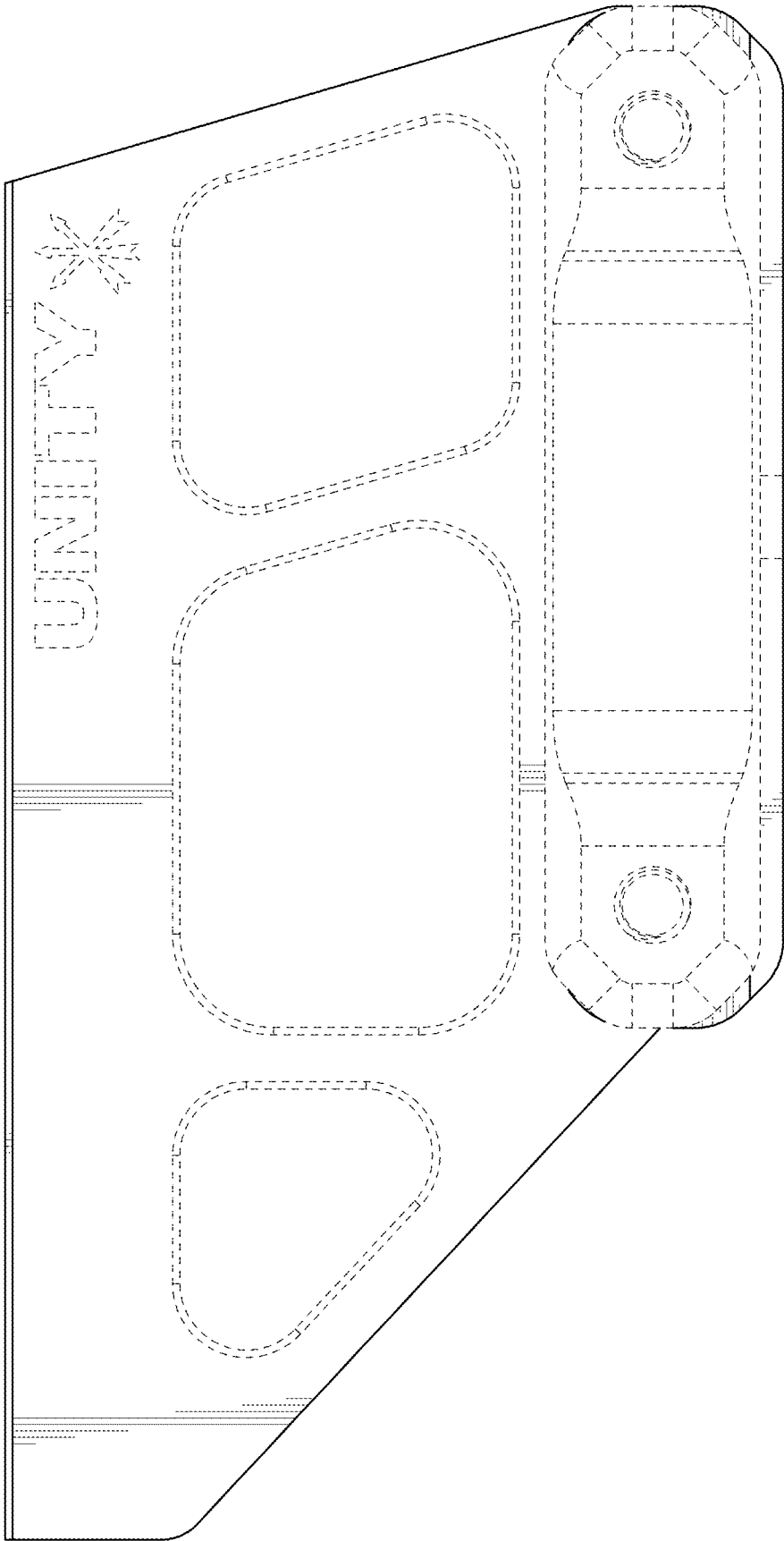


FIG. 5

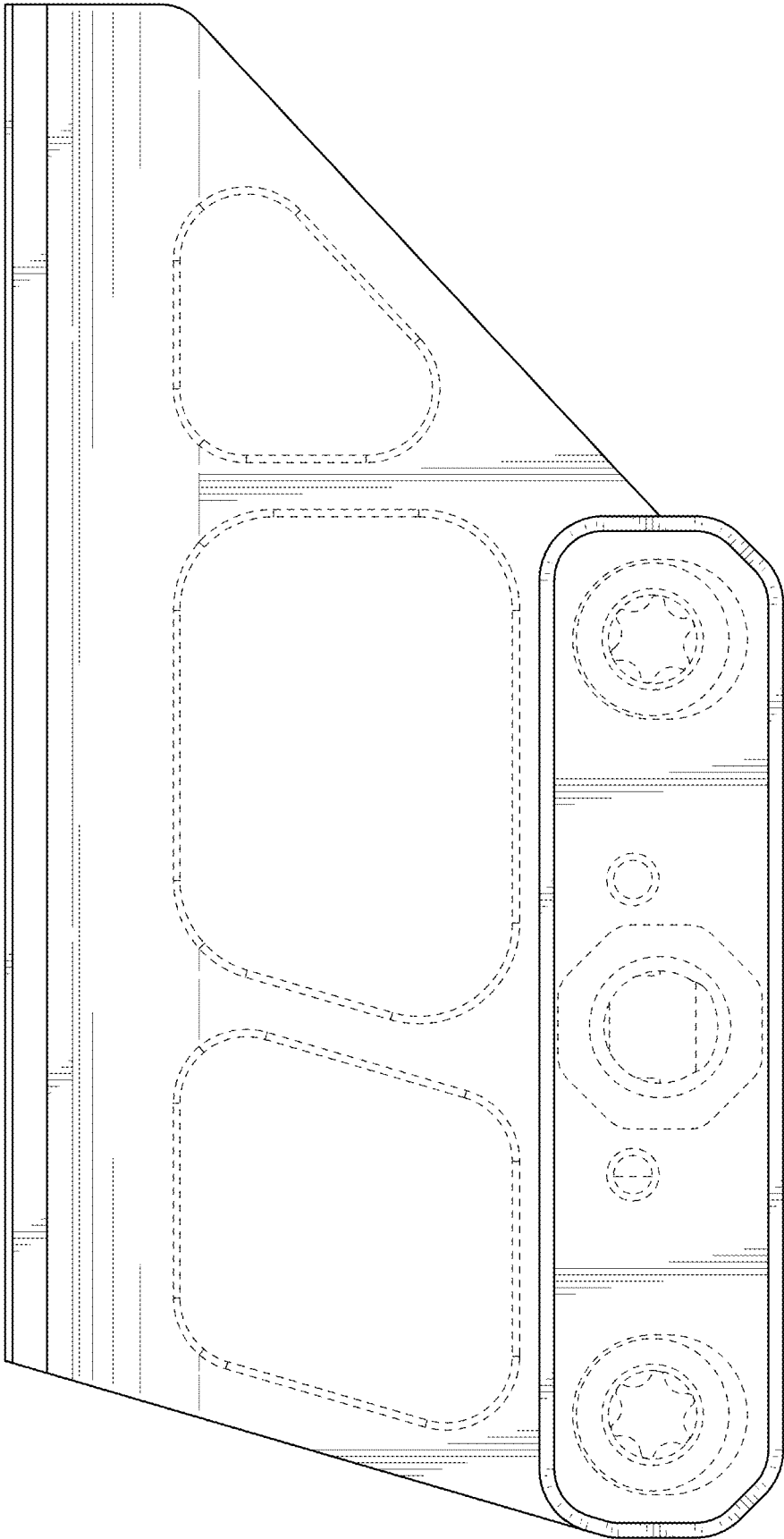


FIG. 6

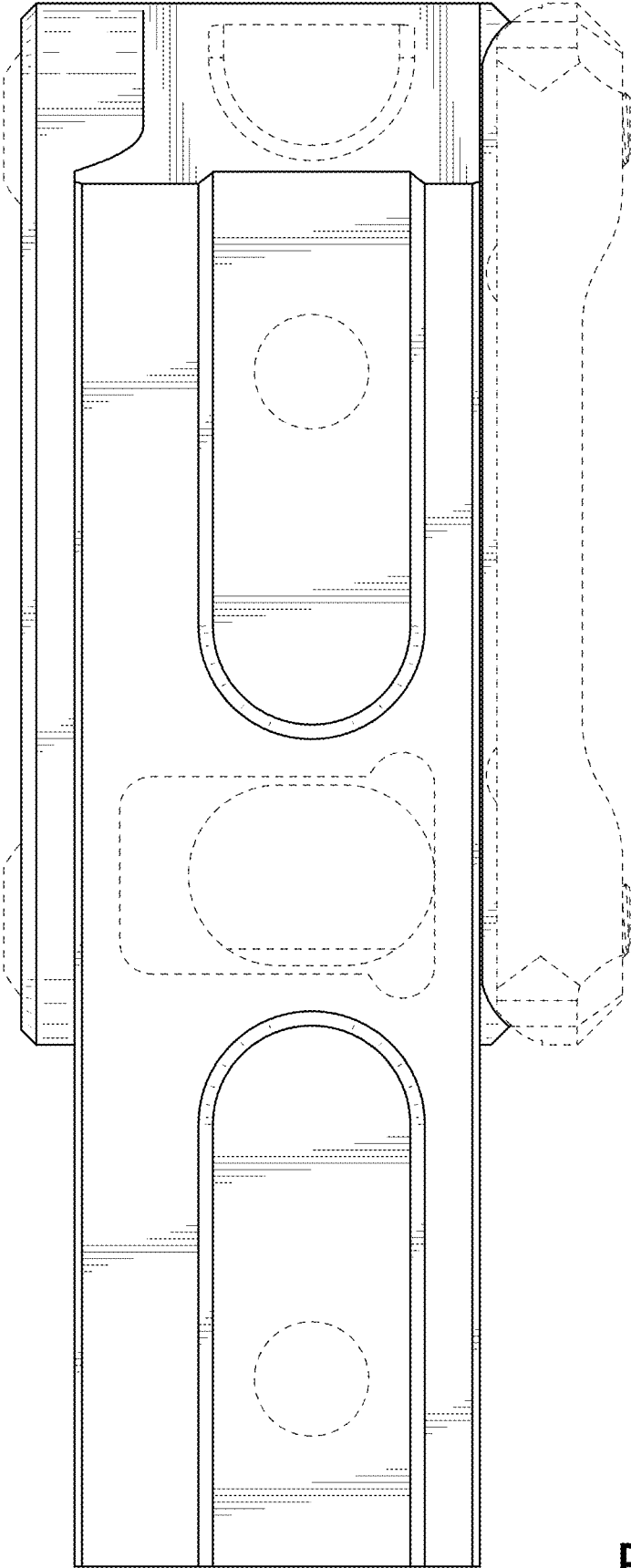


FIG. 7

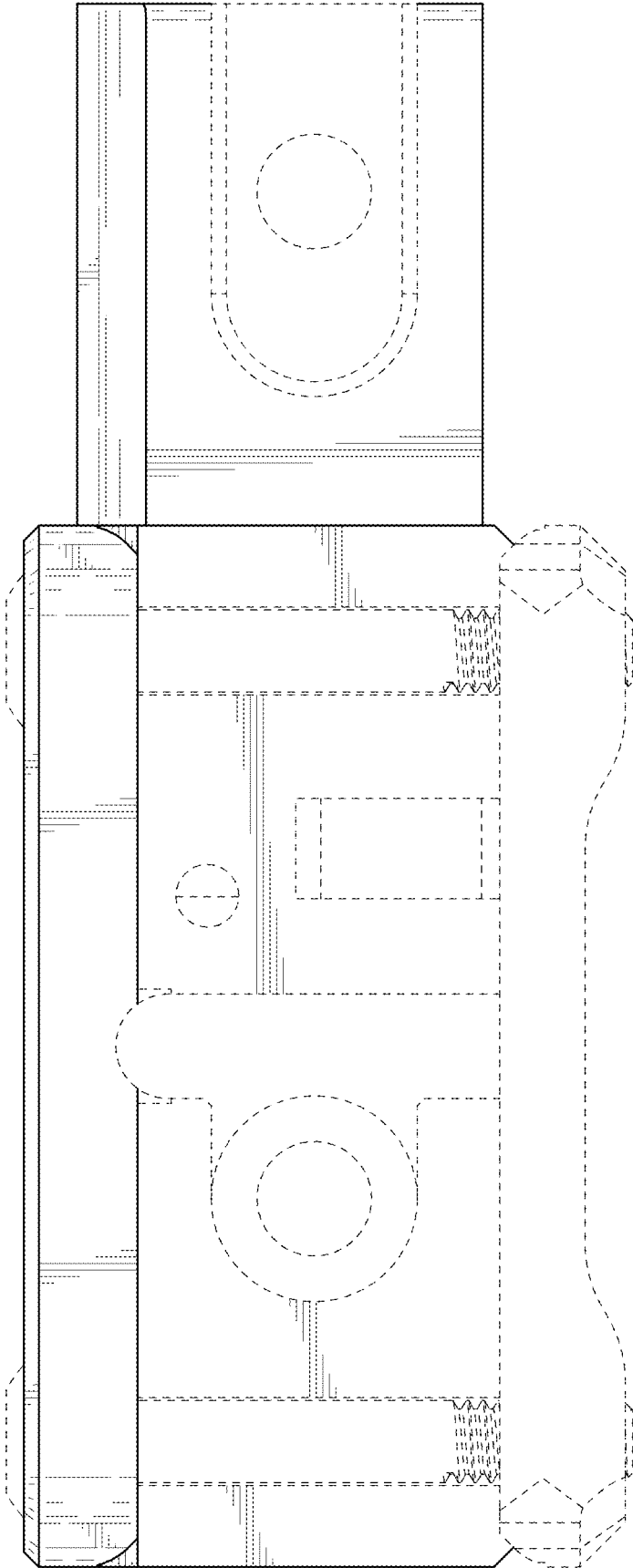


FIG. 8