

(19) World Intellectual Property Organization
International Bureau



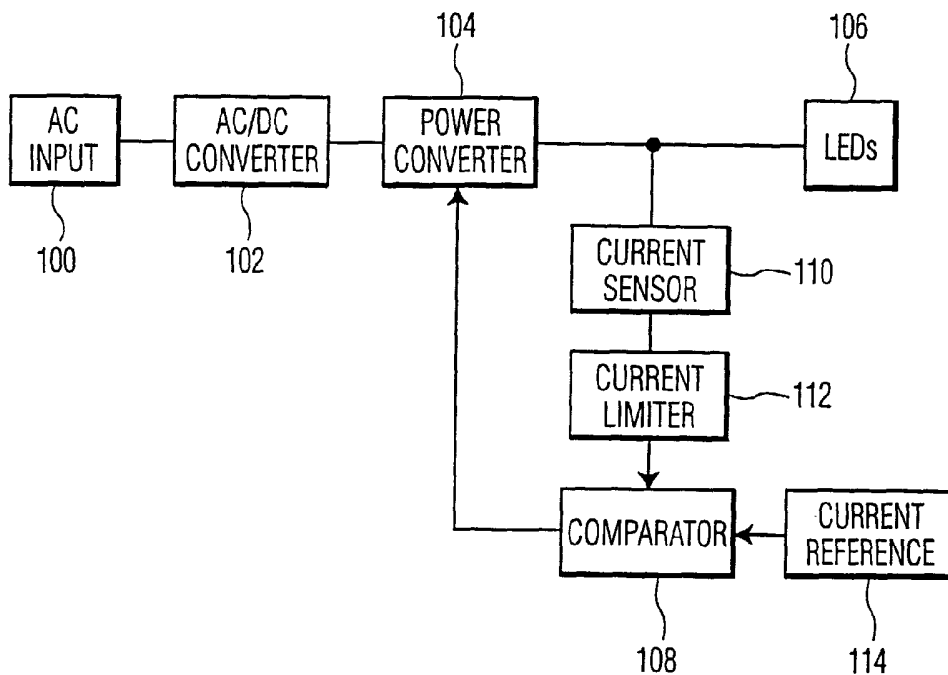
(43) International Publication Date
28 November 2002 (28.11.2002)

PCT

(10) International Publication Number
WO 02/096162 A1

- (51) International Patent Classification⁷: **H05B 33/08**
 - (21) International Application Number: PCT/IB02/01858
 - (22) International Filing Date: 24 May 2002 (24.05.2002)
 - (25) Filing Language: English
 - (26) Publication Language: English
 - (30) Priority Data: 09/865,895 25 May 2001 (25.05.2001) US
 - (71) Applicant: **KONINKLIJKE PHILIPS ELECTRONICS N.V.** [NL/NL]; Groenewoudseweg 1, NL-5621 BA Eindhoven (NL).
 - (72) Inventors: **TRIPATHI, Ajay**; Prof. Holstlaan 6, NL-5656 AA Eindhoven (NL). **CLAUBERG, Bernd**; Prof. Holstlaan 6, NL-5656 AA Eindhoven (NL).
 - (74) Agent: **DUSSELDORP, Jan, C.**; Internationaal Octrooibureau B.V., Prof. Holstlaan 6, NL-5656 AA Eindhoven (NL).
 - (81) Designated States (*national*): CN, JP.
 - (84) Designated States (*regional*): European patent (AT, BE, CH, CY, DE, DK, ES, FI, FR, GB, GR, IE, IT, LU, MC, NL, PT, SE, TR).
- Published:**
- with international search report
 - before the expiration of the time limit for amending the claims and to be republished in the event of receipt of amendments
- For two-letter codes and other abbreviations, refer to the "Guidance Notes on Codes and Abbreviations" appearing at the beginning of each regular issue of the PCT Gazette.*

(54) Title: POWER SUPPLY FOR LEDs



(57) Abstract: The power supply for LEDs of the present invention provides power to a variable number of LEDs wired in series or in parallel. The power supply uses current feedback to adjust power to the LEDs and provides protection against open circuits and circuit malfunctions. A current controller 130 compares sensed current to a reference current and generates a feedback signal, which is processed by a power factor corrector 128 to adjust the current flow through the transformer 124 supplying current to the LEDs 126.



WO 02/096162 A1

Power supply for LEDs

The technical field of this disclosure is power supplies, particularly, a power supply for LEDs.

Significant advances have been made in the technology of white light emitting diodes (LEDs). White light LEDs are commercially available which generate 10-15
5 lumens/watt. This is comparable to the performance of incandescent bulbs. In addition, LEDs offer other advantages such as longer operating life, shock/vibration resistance and design flexibility because of their small size. As a result, white light LEDs are replacing traditional incandescent sources for illumination applications such as signage, accenting, and pathway lighting. The white LEDs can be used alone or in conjunction with colored LEDs for a
10 particular effect.

The existing power supplies for white light LED systems consists of a line frequency transformer for isolation and voltage matching, which feeds a rectifier/filter and a current limiting resistor, as shown in Fig. 1. The rectifier/filter converts the stepped down line ac voltage into dc voltage. The current limiting resistor regulates the LED current against
15 variations in line voltage. The use of line frequency transformer makes the power supply bulky. The current limiting resistor causes power loss, making the power supplies inefficient. In addition, current regulation is not precise and differs for different LED string lengths (LEDs connected in series). The efficiency and current regulation could be optimized for a fixed number of LEDs in a particular light source, but then the power supply would only be
20 suitable for that particular light source. Therefore, currently available power supplies are not capable of driving light sources with different number of LEDs (for example, one or more in a series string) with good regulation and efficiency.

The electrical characteristics of LEDs are such that small changes in the voltage applied to the LED lamp will cause appreciable current changes. In addition, ambient
25 temperature changes will also result in LED current changes by changing the forward drop across the LEDs. Furthermore, the lumen output of LEDs depends on the LED current. The existing electrical power supplies for LED light sources are not designed to precisely regulate the LED current to prevent luminous intensity variations due to input ac voltage variations and ambient temperature. Operation of LED lamps at excessive forward current for a long

period can cause unacceptable luminous intensity variations and even catastrophic failure. In addition, current electrical power supplies do not minimize power consumption to maximize energy savings.

5 It would be desirable to have a power supply for LEDs that would overcome the above disadvantages.

One aspect of the present invention provides a power supply for an LED light source with good regulation and efficiency.

Another aspect of the present invention provides a power supply for an LED light source able to drive variable numbers of LEDs.

10 Another aspect of the present invention provides a power supply for an LED light source able to accommodate the new generation of high power LEDs.

Another aspect of the present invention provides a power supply for an LED light source of small size and low weight.

15 Another aspect of the present invention provides a power supply for an LED light source protecting against open circuits and circuit malfunctions.

Another aspect of the present invention provides a power supply for an LED-light source avoiding operation of LED lamps at excessive forward current.

The foregoing and other features and advantages of the invention will become further apparent from the following detailed description of the presently preferred embodiments,
20 read in conjunction with the accompanying drawings. The detailed description and drawings are merely illustrative of the invention, rather than limiting the scope of the invention being defined by the appended claims and equivalents thereof.

25 Fig. 1 shows a block diagram of an existing LED power supply.

Fig. 2 shows a block diagram of a power supply for an LED light source made in accordance with the present invention.

Fig. 3 shows a schematic diagram a power supply for an LED light source made in accordance with the present invention.

30

The power supply for an LED light source of the present invention provides power to a variable number of LEDs wired in series or in parallel. The power supply uses

current feedback to adjust power to the LEDs and provides protection against open circuits and circuit malfunctions.

Fig. 2 shows a block diagram of a power supply for an LED light source made in accordance with the present invention. Single-phase ac input is provided at block 100 and converted to dc by the AC/DC converter 102. Power converter 104 regulates the power to LEDs 106. The power converter 104 adjusts the power to the LEDs based on a feedback signal representing a current error generated at the comparator 108. Current sensor 110 measures the current flow to the LEDs 106 and provides a sensed current signal. In the embodiment illustrated in Fig. 2, a current limiter 112 limits the sensed current signal from the current sensor 110 and prevents too large a feedback signal to the power converter 104. In other embodiments, the current limiter 112 can be omitted, or can be installed between the comparator 108 and the power converter 104 to limit the feedback signal directly. The output of the current limiter 112 is compared to a reference current 114 at the comparator 108, which provides a feedback signal based on the difference between the current limiter output and the reference current 114. The feedback signal is input to the power converter 104.

Fig. 3 shows a schematic diagram a power supply for an LED light source made in accordance with the present invention. The power supply uses a flyback transformer with current feedback through a power factor corrector to supply power to a variable number of LED light sources.

Voltage is supplied to the power supply at V_{IN} to EMI filter 120. The voltage can be an ac input and is typically 50/60 Hertz at 120/230 V_{RMS} . The EMI filter 120 blocks electromagnetic interference on the input. AC/DC converter 122 can be a bridge rectifier and converts the ac output of the EMI filter 120 to dc. Transformer 124 comprises primary winding W1 and secondary windings W2, W3, W4, and W5. The windings W1/W2 constitute the flyback transformer to power the LEDs 126. The LEDs 126 can be white or colored LEDs, depending on the particular application, such as lighting or signage. The LEDs 126 can be a number of LEDs connected in series or parallel, or a combination of series and parallel circuits, as desired. The flyback transformer is controlled by PFC 128, which is a power factor corrector integrated circuit, such as model L6561 manufactured by ST Microelectronics, Inc. The flyback transformer with power factor corrector configuration has been widely used to provide isolated fixed voltage dc power sources with high line power factors.

The flyback converter controls the current to the LEDs 126 at a desired value. The forward converter operation of windings W1/W3 charge capacitor C3 and a reference

current signal is generated between series resistor R4 and zener Z2. The peak voltage across capacitor C3 depends on the W1/W3 turns ratio. The output dc voltage from flyback operation of windings W1/W2 cannot be used to generate the reference current signal since the output dc voltage across LEDs 126 can have a wide range - from 2.6 Volts dc for one LED lamp to about 32 Volts dc for 8 LEDs in series. The forward converter operation of windings W1/W3 can be used instead. The forward converter operation of the W1/W3 and W1/W5 windings can also be used to supply power to the integrated circuits, such as PFC 128 and current controller 130.

A sensed current signal is generated across resistor R1, which is in series with the LEDs 126. The sensed current signal and reference current signal are compared at current controller 130. The current controller 130 can be a proportional type op-amp control circuit. The feedback signal from current controller 130 drives an optocoupler 132. The current controller 130 is necessary since optocouplers have a wide range of current transfer ratio (CTR). The current controller 130 maintains an accurate current feedback signal, thereby avoiding large errors in LED current. The optocoupler 132 isolates the dc circuit supplying the LEDs 126 from the ac circuit power supply at EMI filter 120, the two circuits being on the opposite sides of the transformer 124.

The output of the optocoupler 132 is connected to PFC 128, which supplies a gate drive signal to MOSFET Q1. MOSFET Q1 supplies a transformer control signal, adjusting the current flow through winding W1 of transformer 124 to match the LEDs 126 current demand until the sensed current signal and reference current signal are equal at current controller 130, so the feedback error signal goes to zero. The LED current demand is met, so no further action is required. The internal 2.5 V reference signal and an internal compensation circuit of PFC 128 maintain the voltage drop across resistor R6 at 2.5V. Although this example uses MOSFET Q1 for adjusting the transformer current, alternate embodiments can use other types of transistors to adjust the current, such as an insulated gate bipolar transistor (IGBT) or a bipolar transistor. The input to PFC 128 at Z_{CD} provides a reset signal powered from windings W1/W4.

Referring to Fig. 3, zener diode Z1 provides overvoltage protection for LEDs 126. The zener diode Z1 connects across the output connection to the LEDs 126 and clamps the output voltage to a specified maximum value. The nominal zener operating voltage is selected to be just over the maximum specified output voltage. In case of an output open circuit, the flyback operation of windings W1/W2 of transformer 124 would continue to build the output voltage. The increasing output voltage turns on the zener diode Z1, thereby

increasing the sensed current signal, which in turn limits the feedback signal from current controller 130. This limits the gate drive signal to MOSFET Q1, preventing the flyback converter from building the output voltage to the LEDs 126 beyond a specified maximum voltage. Similarly, zener diode Z3 shown in Fig. 3 connected from the reset winding W4 to resistor R6 will prevent output overvoltage due to LED current control system malfunction. In alternate embodiments, either zener diode Z1 or zener diode Z3, or both zener diode Z1 and zener diode Z3, can be omitted depending on the degree of protection required for a particular application.

It is important to note that Fig. 3 illustrates specific applications and embodiments of the present invention, and is not intended to limit the scope of the present disclosure or claims to that which is presented therein. Upon reading the specification and reviewing the drawings hereof, it will become immediately obvious to those skilled in the art that myriad other embodiments of the present invention are possible, and that such embodiments are contemplated and fall within the scope of the presently claimed invention.

While the embodiments of the invention disclosed herein are presently considered to be preferred, various changes and modifications can be made without departing from the spirit and scope of the invention. The scope of the invention is indicated in the appended claims, and all changes that come within the meaning and range of equivalents are intended to be embraced therein.

CLAIMS:

1. A system for supplying power for LEDs comprising:
means for sensing current to the LEDs, the current sensing means generating a sensed current signal;
means for generating a reference current signal;
5 means for comparing the sensed current signal to the reference current signal, the comparing means generating a feedback signal; and
means for converting power responsive to the feedback signal, the power converting means supplying current to the LEDs.
- 10 2. The system of claim 0 further comprising means for limiting current to the LEDs.
3. The system of claim 0 wherein the current limiting means limits the sensed current signal.
- 15 4. The system of claim 0 wherein the current limiting means limits the feedback signal.
5. The system of claim 0 wherein the current limiting means is a zener diode
20 circuit.
6. The system of claim 0 wherein the power converting means further comprises:
a PFC responsive to the feedback signal, the PFC generating a gate drive
signal;
25 means for regulating a transformer responsive to the gate drive signal, the transformer regulating means generating a transformer control signal; and
a flyback transformer responsive to the transformer control signal, the flyback transformer supplying current to the LEDs.

7. The system of claim 0 wherein the transformer regulating means is selected from the group consisting of a transistor, a MOSFET, an IGBT, and a bipolar transistor.
8. The system of claim 0 wherein the comparing means is a proportional type op-amp control circuit.
9. The system of claim 0 further comprising means for isolating the comparing means from the power converting means.
10. The system of claim 0 wherein the isolating means is an optocoupler.
11. The system of claim 0 wherein the reference current signal generating means is a forward converter transformer supplying a zener diode circuit.
12. A method of supplying power for LEDs comprising the steps of:
sensing current to the LEDs and generating a sensed current signal;
generating a reference current signal;
comparing the sensed current signal to the reference current signal;
generating a feedback signal based on the difference between the sensed current signal and the reference current signal; and
converting power and supplying current to the LEDs **104** in response to the feedback signal.

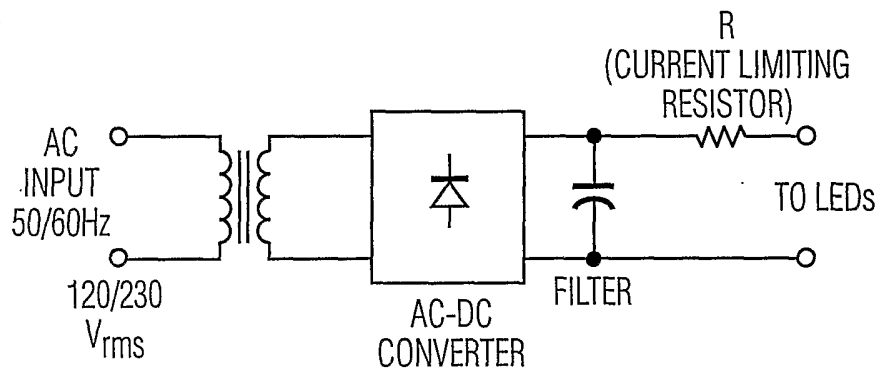


FIG. 1

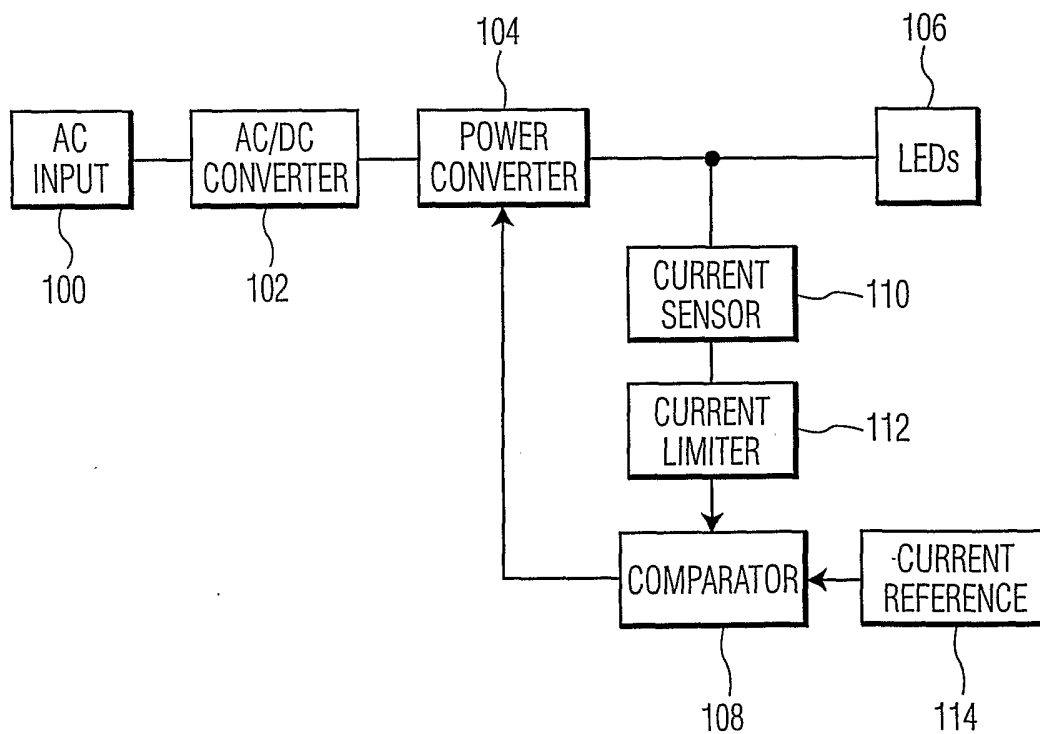


FIG. 2

INTERNATIONAL SEARCH REPORT

International Application No
PCT/IB 02/01858

A. CLASSIFICATION OF SUBJECT MATTER
IPC 7 H05B33/08

According to International Patent Classification (IPC) or to both national classification and IPC

B. FIELDS SEARCHED
Minimum documentation searched (classification system followed by classification symbols)
IPC 7 H05B

Documentation searched other than minimum documentation to the extent that such documents are included in the fields searched

Electronic data base consulted during the international search (name of data base and, where practical, search terms used)
EPO-Internal, PAJ, WPI Data

C. DOCUMENTS CONSIDERED TO BE RELEVANT

Category	Citation of document, with indication, where appropriate, of the relevant passages	Relevant to claim No.
X	US 6 091 614 A (MALENFANT MARTIN) 18 July 2000 (2000-07-18) column 3, line 44 -column 8, line 57; figure 1	1-7, 12
X	US 6 040 663 A (BUCKS MARCEL J M ET AL) 21 March 2000 (2000-03-21) column 3, line 27 -column 6, line 29; figures 1,2	1,2,7,8, 12
X	WO 01 05193 A (KONINKL PHILIPS ELECTRONICS NV) 18 January 2001 (2001-01-18) page 3, line 9 -page 5, line 15; figures 1-4	1,2,6,7, 12
P,X	DE 100 40 153 A (WESTIFORM HOLDING AG NIEDERWAN) 7 March 2002 (2002-03-07) abstract; figure	1,12

Further documents are listed in the continuation of box C. Patent family members are listed in annex.

Special categories of cited documents:

- *A* document defining the general state of the art which is not considered to be of particular relevance
- *E* earlier document but published on or after the international filing date
- *L* document which may throw doubts on priority claim(s) or which is cited to establish the publication date of another citation or other special reason (as specified)
- *O* document referring to an oral disclosure, use, exhibition or other means
- *P* document published prior to the international filing date but later than the priority date claimed
- *T* later document published after the international filing date or priority date and not in conflict with the application but cited to understand the principle or theory underlying the invention
- *X* document of particular relevance; the claimed invention cannot be considered novel or cannot be considered to involve an inventive step when the document is taken alone
- *Y* document of particular relevance; the claimed invention cannot be considered to involve an inventive step when the document is combined with one or more other such documents, such combination being obvious to a person skilled in the art.
- * & * document member of the same patent family

Date of the actual completion of the international search 17 September 2002	Date of mailing of the international search report 24/09/2002
---	---

Name and mailing address of the ISA European Patent Office, P.B. 5818 Patentlaan 2 NL - 2280 HV Rijswijk Tel. (+31-70) 340-2040, Tx. 31 651 epo nl, Fax: (+31-70) 340-3016	Authorized officer Albertsson, E
--	--

INTERNATIONAL SEARCH REPORT

Int'l Application No

PCT/IB 02/01858

C.(Continuation) DOCUMENTS CONSIDERED TO BE RELEVANT

Category °	Citation of document, with indication, where appropriate, of the relevant passages	Relevant to claim No.
P,X	WO 01 52605 A (DESIGN RITE LLC) 19 July 2001 (2001-07-19) abstract; figures 1,2 ----	1,12
A	GB 2 355 816 A (MITEL CORP) 2 May 2001 (2001-05-02) page 2, line 28 -page 4, line 3; figures 1,2 ----	1-5,12
A	WO 96 02970 A (AUCKLAND UNISERVICES LTD ;BOYS JOHN TALBOT (NZ); GREEN ANDREW WILL) 1 February 1996 (1996-02-01) page 10, line 26 -page 11, line 20; figure 5 ----	1,11,12
A	EP 0 129 498 A (SIEMENS AG) 27 December 1984 (1984-12-27) abstract; figure 1 ----	9,10
A	WO 01 03474 A (HIRSCHMANN GUENTHER ;PATRA PATENT TREUHAND (DE); BIEBL ALOIS (DE);) 11 January 2001 (2001-01-11) -----	

INTERNATIONAL SEARCH REPORT

Information on patent family members

Int'l Application No

PCT/IB 02/01858

Patent document cited in search report		Publication date	Patent family member(s)	Publication date
US 6091614	A	18-07-2000	NONE	
US 6040663	A	21-03-2000	EP 0941572 A1 WO 9907059 A2 JP 2001501362 T	15-09-1999 11-02-1999 30-01-2001
WO 0105193	A	18-01-2001	CN 1316174 T WO 0105193 A1 EP 1147686 A1 US 6304464 B1	03-10-2001 18-01-2001 24-10-2001 16-10-2001
DE 10040153	A	07-03-2002	DE 10040153 A1	07-03-2002
WO 0152605	A	19-07-2001	AU 2963201 A WO 0152605 A2 US 2002014862 A1 US 2002047649 A1	24-07-2001 19-07-2001 07-02-2002 25-04-2002
GB 2355816	A	02-05-2001	NONE	
WO 9602970	A	01-02-1996	AU 682120 B2 AU 2810395 A EP 0786165 A1 WO 9602970 A1 NZ 288765 A US 2002008973 A1	18-09-1997 16-02-1996 30-07-1997 01-02-1996 22-09-1997 24-01-2002
EP 0129498	A	27-12-1984	DE 3319779 A1 AT 24789 T DE 3461959 D1 EP 0129498 A1	29-11-1984 15-01-1987 12-02-1987 27-12-1984
WO 0103474	A	11-01-2001	DE 19930174 A1 WO 0103474 A1 EP 1118251 A1 US 6400101 B1	04-01-2001 11-01-2001 25-07-2001 04-06-2002