



US0D1027897S

(12) **United States Design Patent**
Zhang

(10) **Patent No.:** **US D1,027,897 S**

(45) **Date of Patent:** **** May 21, 2024**

(54) **SPEAKER**

(71) Applicant: **Jing Zhang**, Shenzhen (CN)

(72) Inventor: **Jing Zhang**, Shenzhen (CN)

(**) Term: **15 Years**

(21) Appl. No.: **29/922,949**

(22) Filed: **Dec. 27, 2023**

(30) **Foreign Application Priority Data**

Dec. 21, 2023 (EM) 015045331-0001

(51) **LOC (14) Cl.** **14-01**

(52) **U.S. Cl.**
USPC **D14/204**

(58) **Field of Classification Search**

USPC D14/170-172, 188, 203.1, 203.3, 203.6,
D14/204, 207, 208, 211, 214, 216, 225,
D14/348; D26/51, 104
CPC . H04R 1/02; H04R 1/023; H04R 5/02; H04R
7/00; H04R 7/02; H04R 9/06; H04R
2400/00

See application file for complete search history.

(56) **References Cited**

U.S. PATENT DOCUMENTS

D763,819 S * 8/2016 Silvera D14/204
D843,419 S * 3/2019 Vaclavik D14/496

D907,601 S * 1/2021 Yang D14/216
D944,790 S * 3/2022 Olsson D14/300
D972,526 S * 12/2022 Demin D14/204
D975,047 S * 1/2023 Jung D14/204
D990,446 S 6/2023 Shiono
D999,187 S * 9/2023 Johnson D14/204
D1,000,421 S 10/2023 Kim

* cited by examiner

Primary Examiner — Janice Patyk

(74) *Attorney, Agent, or Firm* — Jeenam Park

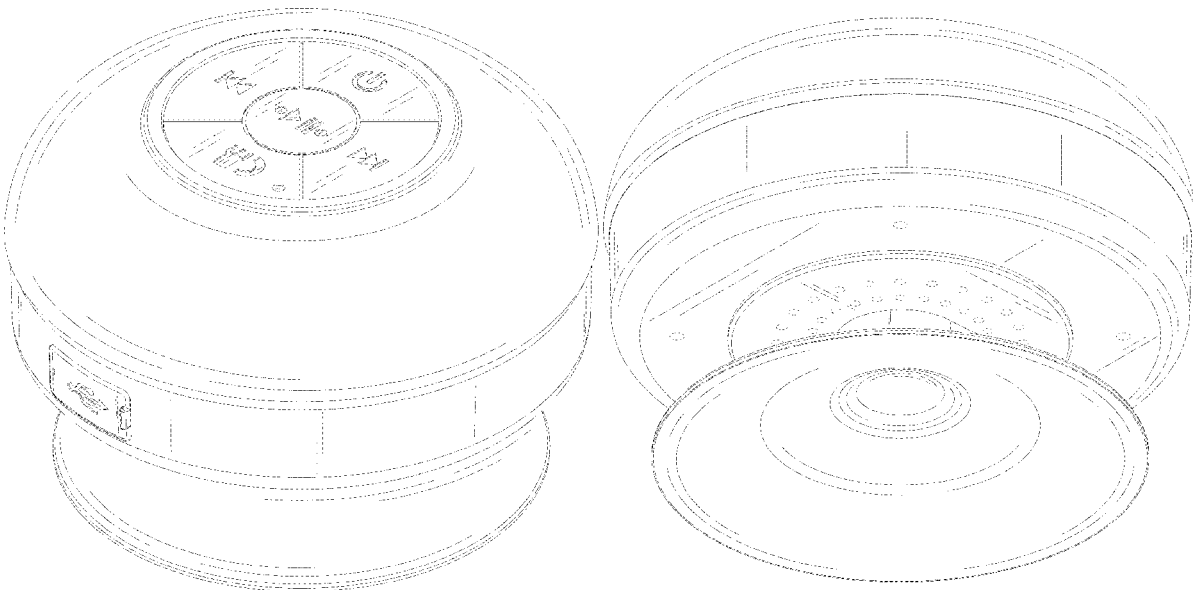
(57) **CLAIM**

The ornamental design for a speaker, as shown and described.

DESCRIPTION

FIG. 1 is a front, right and top perspective view of a speaker, showing my new design;
FIG. 2 is a rear, left and bottom perspective view thereof;
FIG. 3 is a front view thereof;
FIG. 4 is a rear view thereof;
FIG. 5 is a left side view thereof;
FIG. 6 is a right side view thereof;
FIG. 7 is a top plan view thereof; and,
FIG. 8 is a bottom plan view thereof.
The broken lines shown in the drawings illustrate portions of the speaker that form no part of the claimed design.

1 Claim, 8 Drawing Sheets



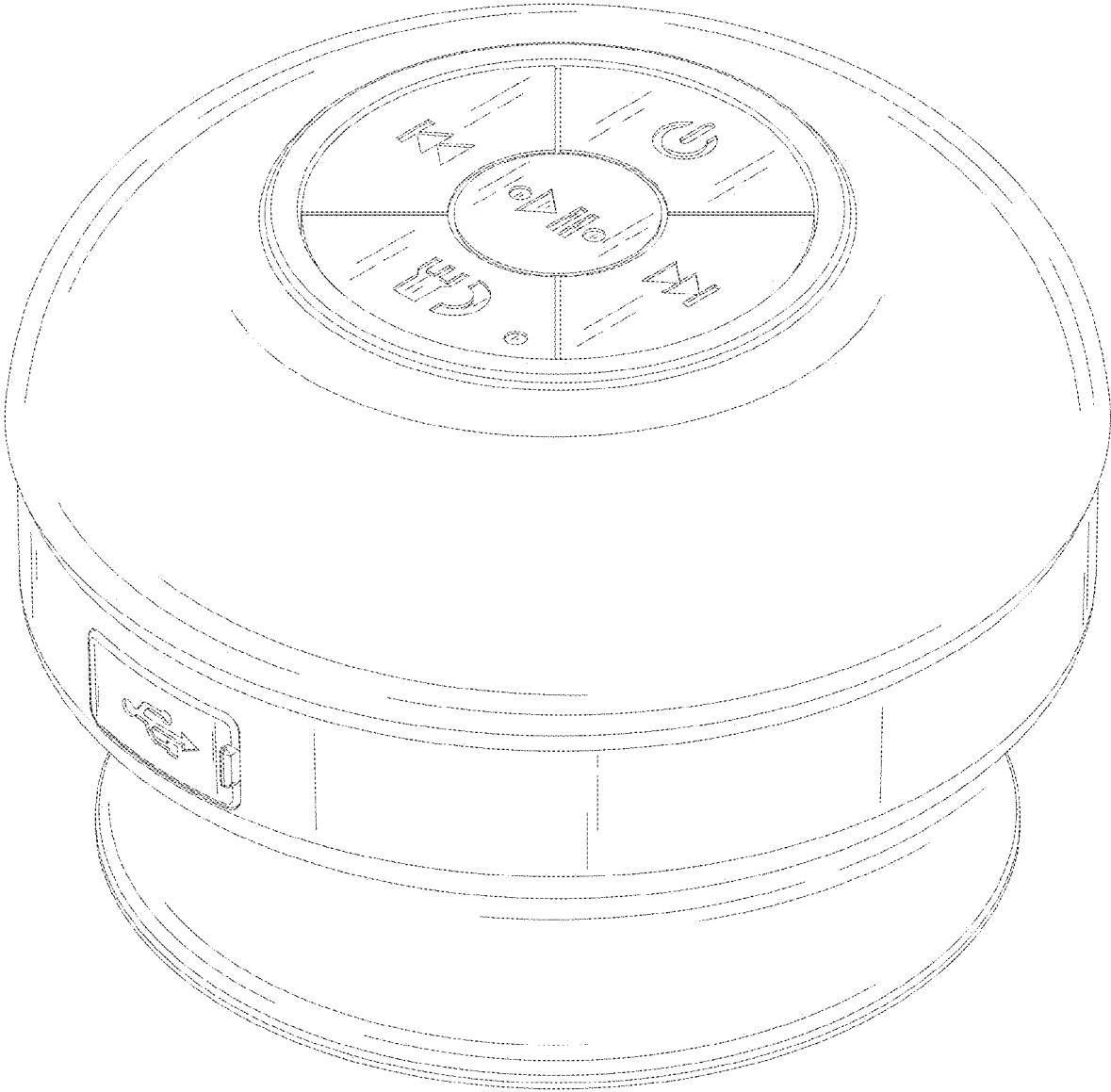


FIG. 1

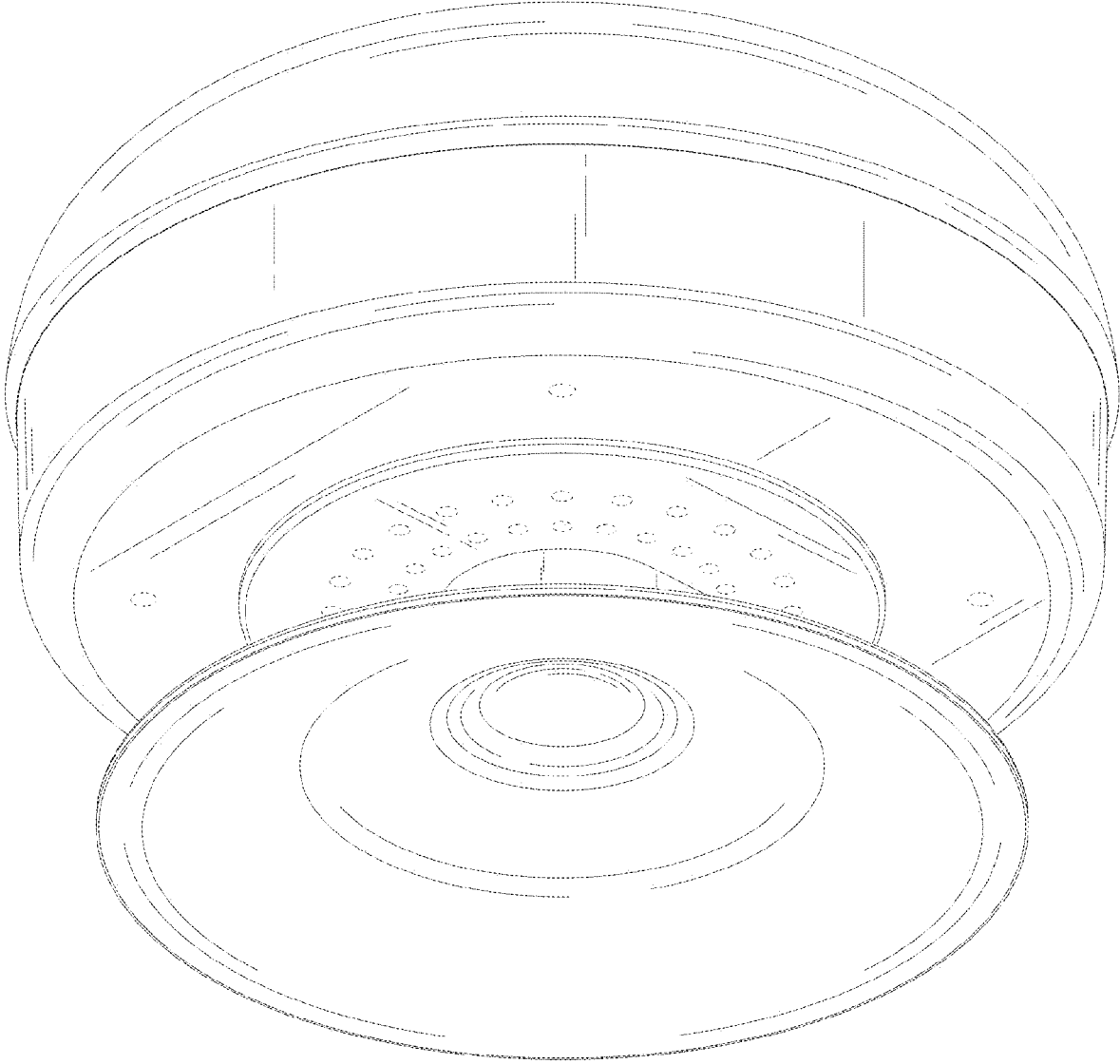


FIG. 2

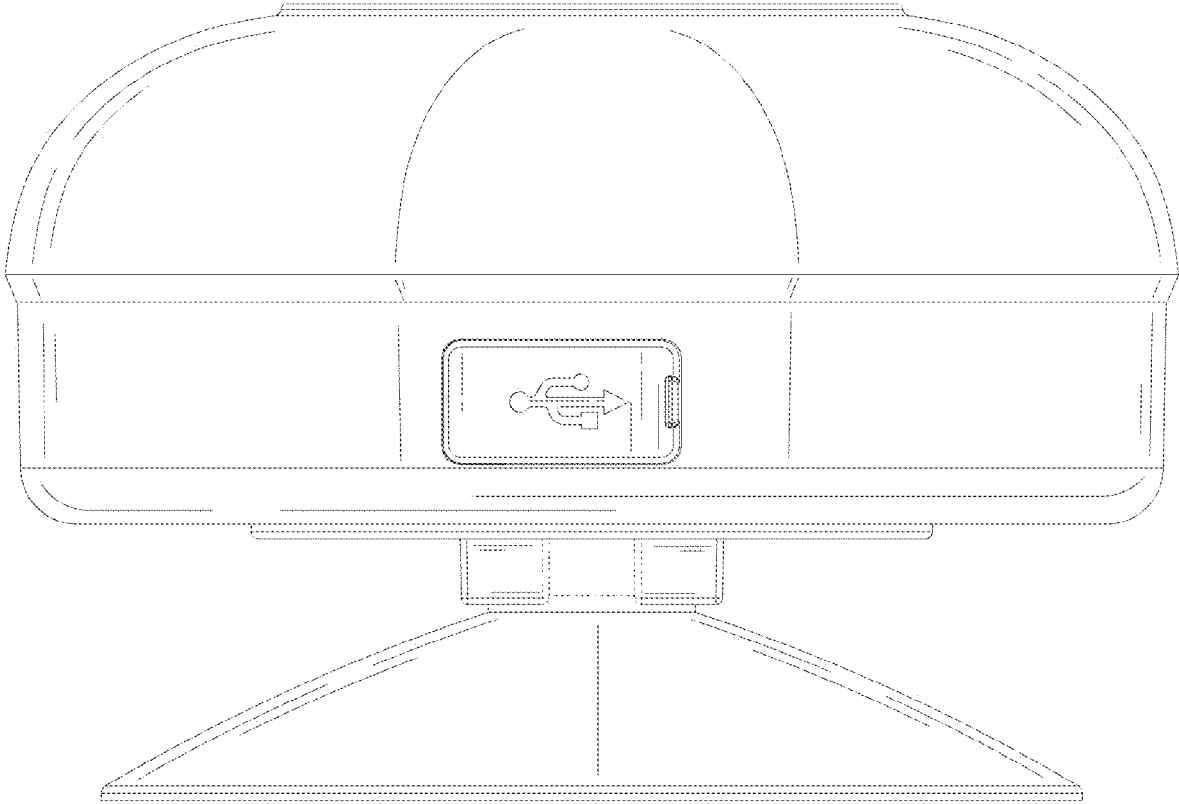


FIG. 3

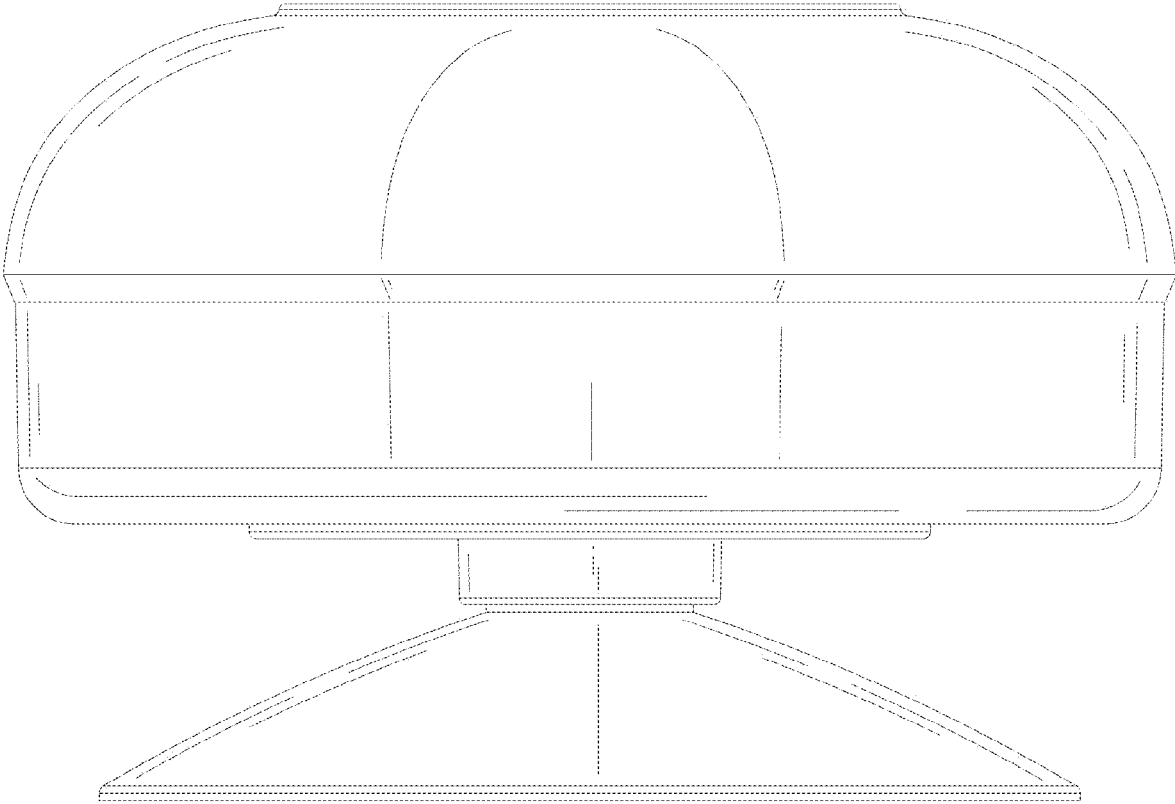


FIG. 4

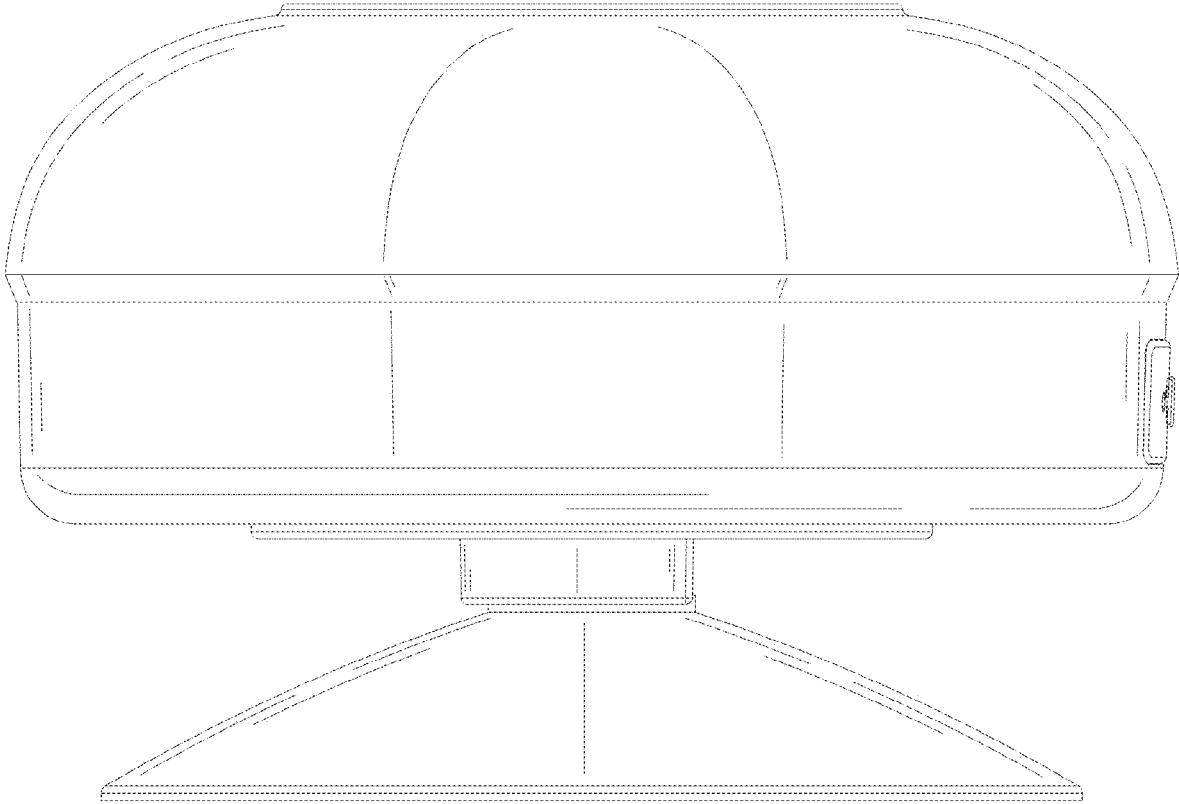


FIG. 5

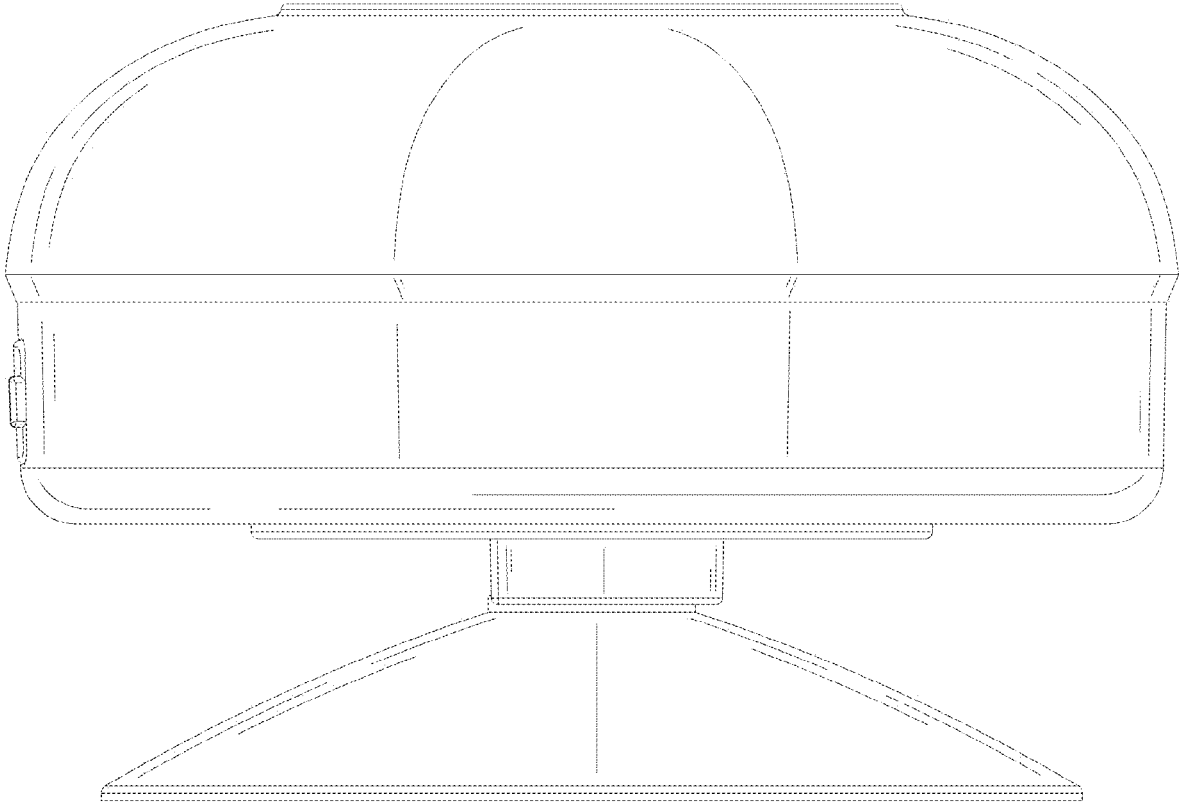


FIG. 6

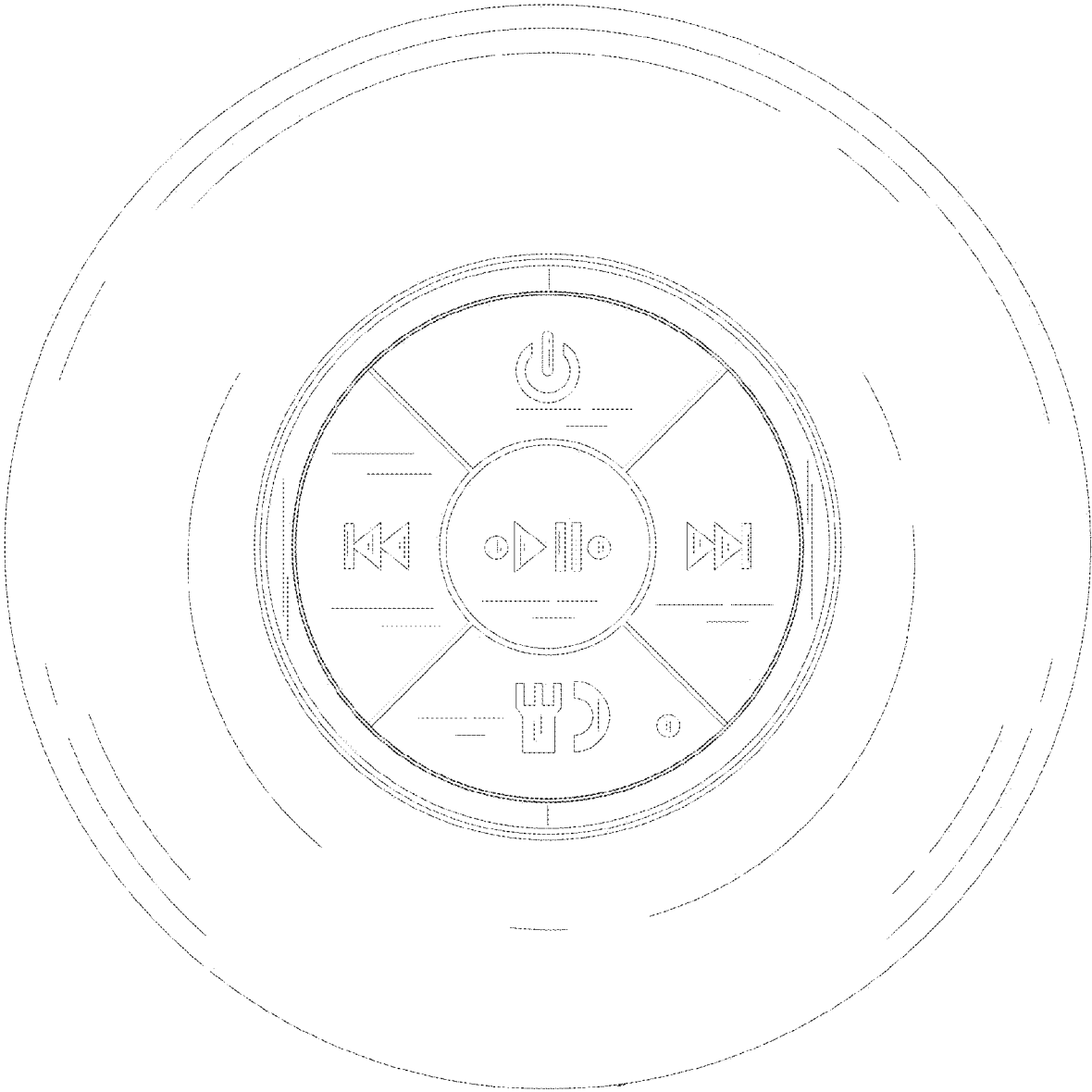


FIG. 7

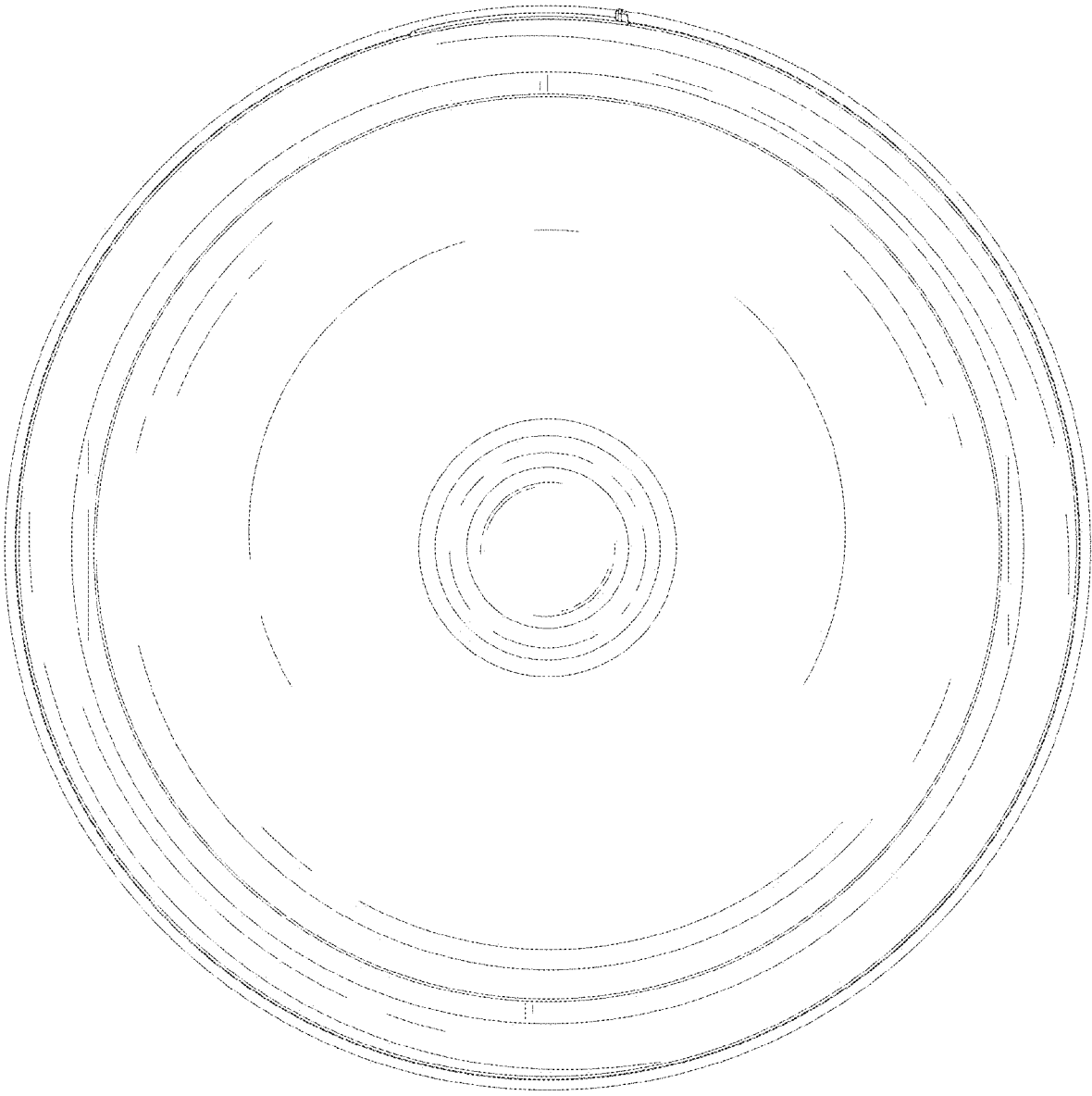


FIG. 8