



US00D827059S

(12) **United States Design Patent**  
**Ross**

(10) **Patent No.:** **US D827,059 S**

(45) **Date of Patent:** **\*\* Aug. 28, 2018**

- (54) **JUMP ROPE**
- (71) Applicant: **Exemplar Design, LLC**, Mason, OH (US)
- (72) Inventor: **Adam L. Ross**, Mason, OH (US)
- (73) Assignee: **EXEMPLAR DESIGN, LLC**, Mason, OH (US)
- (\*\*) Term: **15 Years**
- (21) Appl. No.: **29/581,646**
- (22) Filed: **Oct. 20, 2016**
- (51) **LOC (11) Cl.** ..... **21-02**
- (52) **U.S. Cl.**  
USPC ..... **D21/672**
- (58) **Field of Classification Search**  
USPC ..... 482/107, 121, 148, 44-46, 49, 81, 82;  
D21/662, 672, 682, 684, 694, 798;  
D24/212, 214, 215; D8/107, 303, 307;  
446/490; 16/442; 606/74, 200; 87/8, 9  
CPC ..... A63B 5/20; A63B 5/22; A61H 15/0092;  
A63H 13/14; D04C 1/06; D04C 1/12;  
H01B 5/12; H01B 13/2606; H01B 7/425;  
H01B 11/1813  
See application file for complete search history.

- 4,036,101 A \* 7/1977 Burnett ..... D04C 1/12  
294/74
- 4,195,549 A \* 4/1980 Schuster ..... D04C 1/12  
57/234
- 4,321,854 A \* 3/1982 Foote ..... A01K 91/00  
43/44.98
- D268,436 S \* 3/1983 Clark ..... D21/680  
(Continued)

**OTHER PUBLICATIONS**

Metalcloth. "Braided Wire", 1964 <http://www.metalcloth.com/>.  
Shown on p. 1. (Year: 1964).\*

(Continued)

*Primary Examiner* — Cynthia Ramirez  
*Assistant Examiner* — Michael A Maharajh  
(74) *Attorney, Agent, or Firm* — Baker & Hostetler LLP

(57) **CLAIM**

The ornamental design for a jump rope, as shown and described.

**DESCRIPTION**

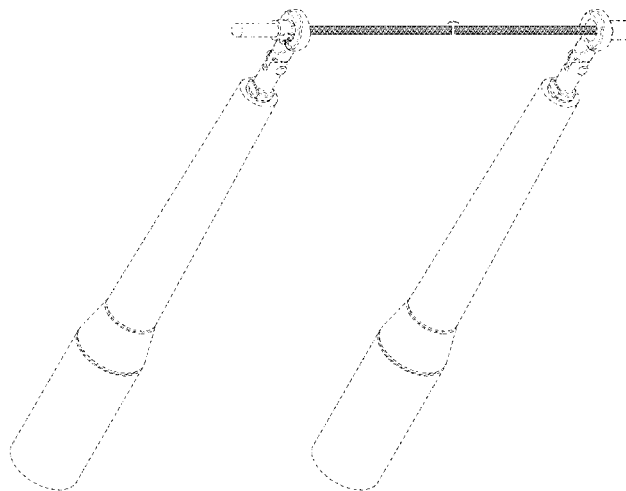
FIG. 1 is a top perspective view of the jump rope showing my new design;  
FIG. 2 is a front view thereof;  
FIG. 3 is a back view thereof;  
FIG. 4 is a left side elevation view thereof;  
FIG. 5 is a right side elevation view thereof;  
FIG. 6 is a top plan view thereof;  
FIG. 7 is a bottom plan view thereof; and,  
FIG. 8 is an enlarged view taken from FIG. 3.  
The broken lines in the drawings are for the purpose of illustrating portions of the jump rope which form no part of the claimed design.  
The jump rope is shown with a symbolic break in its length. The appearance of any portion of the article between the break lines forms no part of the claimed design.

**1 Claim, 5 Drawing Sheets**

(56) **References Cited**

**U.S. PATENT DOCUMENTS**

- 932,780 A \* 8/1909 Hero ..... A61H 15/0092  
482/82
- D73,755 S \* 11/1927 Mordt ..... 482/82
- 2,032,871 A \* 3/1936 Dammeyer ..... A63B 67/00  
446/490
- 2,869,872 A \* 1/1959 Nissen ..... A63B 5/20  
16/442
- 3,363,898 A \* 1/1968 Crovello ..... A63B 5/20  
482/82
- 3,551,263 A \* 12/1970 Carter ..... A41G 1/009  
112/410



(56)

**References Cited**

U.S. PATENT DOCUMENTS

D287,868 S *	1/1987	Whaley .....	D21/672	2014/0058436 A1 *	2/2014	Rosenbluth .....	A61F 2/07 606/200	
D368,501 S *	4/1996	Woodruff .....	D21/672	2014/0090549 A1 *	4/2014	Hurlen .....	D07B 1/02 87/9	
D407,450 S *	3/1999	Janet .....	D21/672	2014/0157973 A1 *	6/2014	Plante .....	D04C 1/12 87/8	
6,440,043 B1 *	8/2002	LaCoste .....	A63B 5/20 482/82	2014/0196316 A1 *	7/2014	Follet .....	A43B 23/0245 36/84	
7,470,224 B1 *	12/2008	Everett .....	A63B 21/04 482/121	2014/0196596 A1 *	7/2014	Padilla .....	D04C 1/12 87/6	
7,833,141 B2 *	11/2010	Kulka .....	A63B 21/153 482/121	2015/0173753 A1 *	6/2015	Spivey .....	A61B 17/06166 606/228	
7,850,582 B2 *	12/2010	Smith .....	A63B 21/00043 482/121	2016/0155533 A1 *	6/2016	Omoto .....	H01B 7/009 174/128.1	
D740,760 S *	10/2015	Glikzman .....	D13/153	2016/0258089 A1 *	9/2016	Erlendsson .....	D04C 1/12	
D777,680 S *	1/2017	Chia .....	D13/153	2016/0345676 A1 *	12/2016	Bruce .....	A43B 23/0245	
2005/0192581 A1 *	9/2005	Molz .....	A61B 17/842 606/74	2017/0058454 A1 *	3/2017	Safwat .....	D07B 1/16	
2006/0189456 A1 *	8/2006	Ford .....	A63B 21/06 482/93	2017/0190137 A1 *	7/2017	Marcoc .....	B32B 1/08	
2006/0207414 A1 *	9/2006	Nye .....	D04C 1/12 87/7					
2008/0163882 A1 *	7/2008	Owens .....	A41G 5/0046 132/201	<b>OTHER PUBLICATIONS</b>				
2010/0216608 A1 *	8/2010	Veitch .....	A63B 5/20 482/82	Reallygoodstuff, "Braided Jump Rope", 2017. <a href="https://www.reallygoodstuff.com/braided-jump-rope-16-ft/p/902748/Blue/?gclid=CjwKCAiApJnRBRBIEiwAPTgmKUP8-soqmEu0mYpLiLzLbCfDvYjlfjxjOr1GvZGJjRPN3c7uy0_LRoClilQAvD_BwE">https://www.reallygoodstuff.com/braided-jump-rope-16-ft/p/902748/Blue/?gclid=CjwKCAiApJnRBRBIEiwAPTgmKUP8-soqmEu0mYpLiLzLbCfDvYjlfjxjOr1GvZGJjRPN3c7uy0_LRoClilQAvD_BwE</a>				
2013/0125739 A1 *	5/2013	Kinugasa .....	D04C 1/06 87/9	Shown on p. 1. (Year: 2017).*				
2013/0263724 A1 *	10/2013	Kirth .....	D04C 1/12 87/9	* cited by examiner				

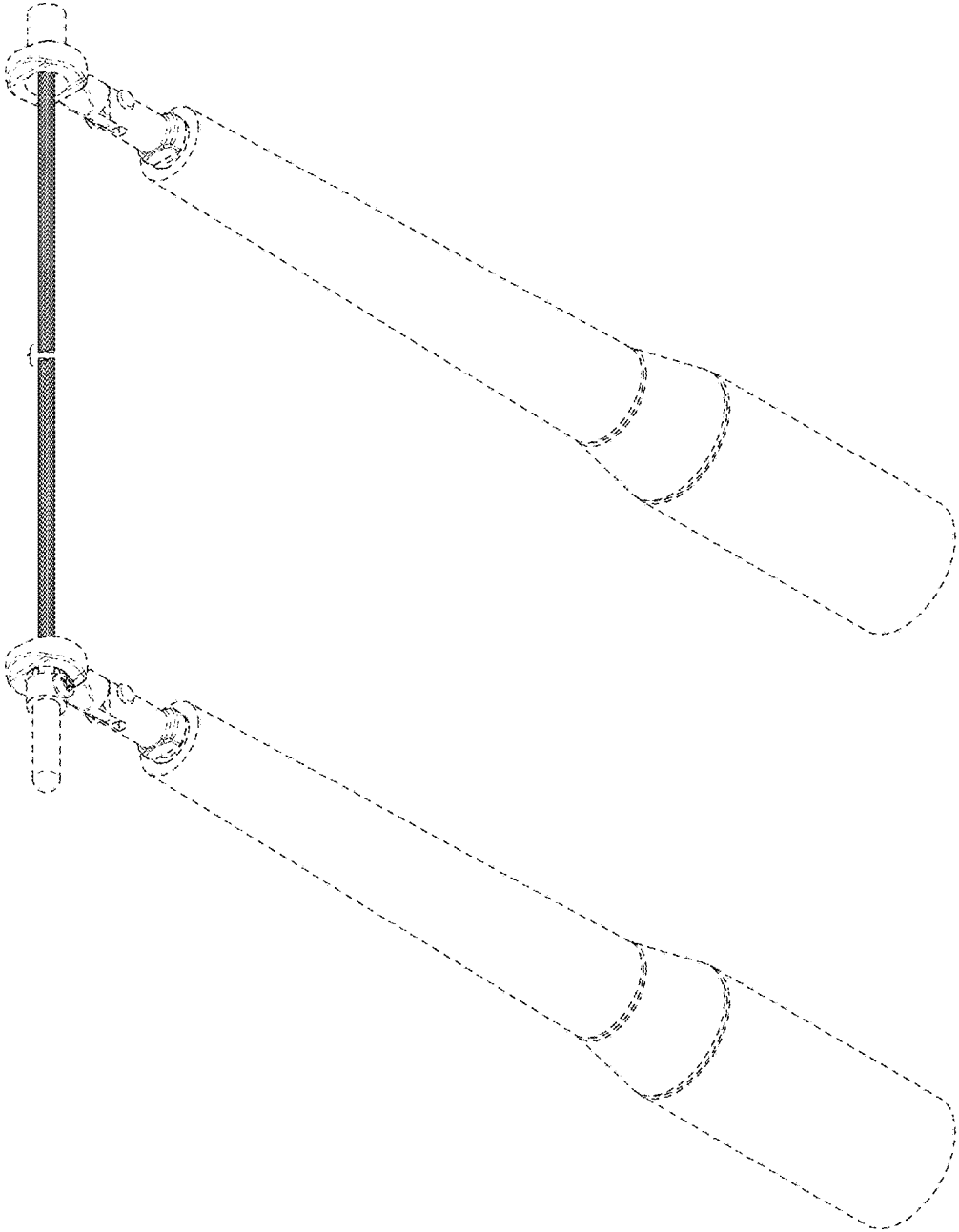


FIG. 1

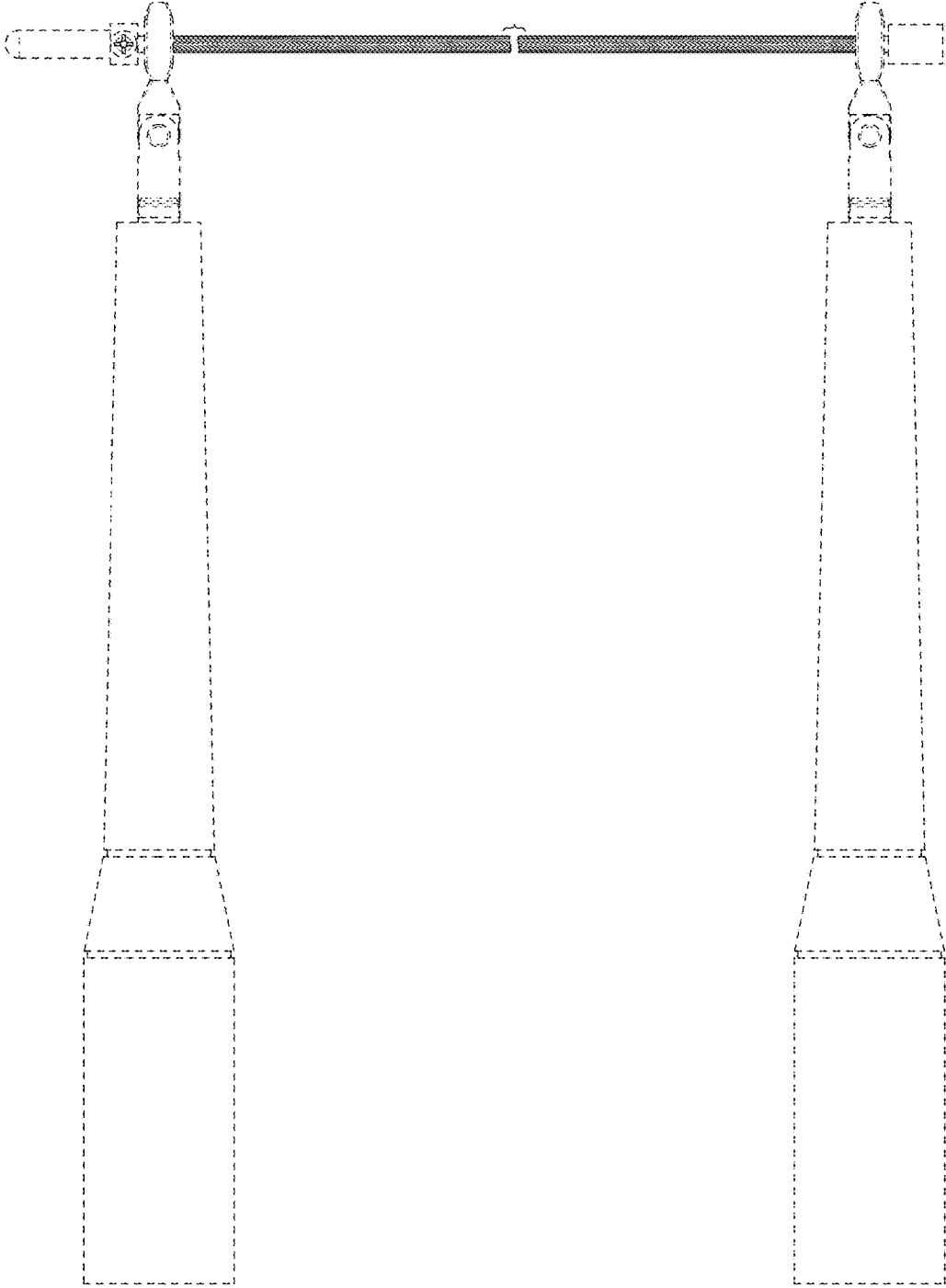


FIG. 2

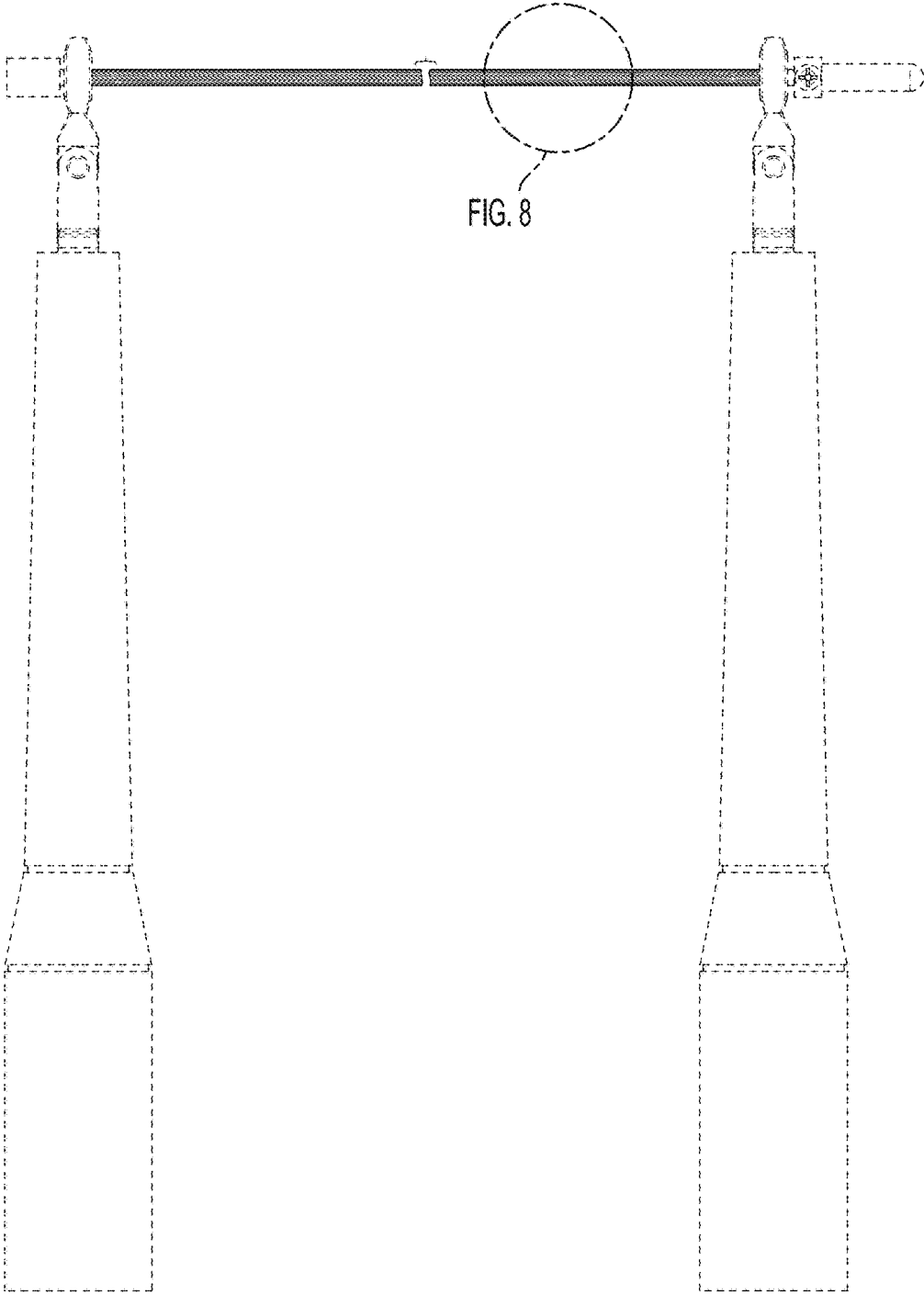


FIG. 3

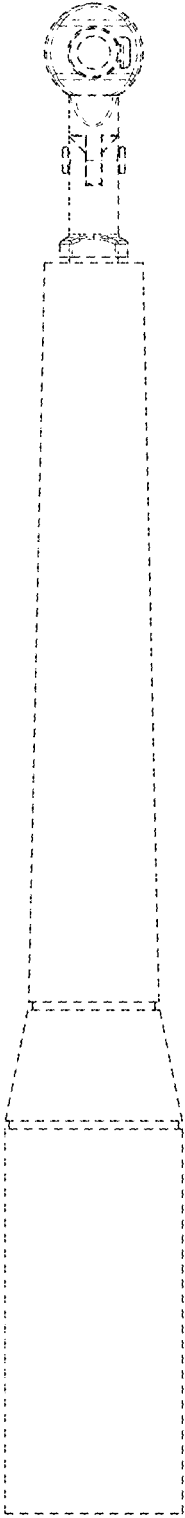


FIG. 4

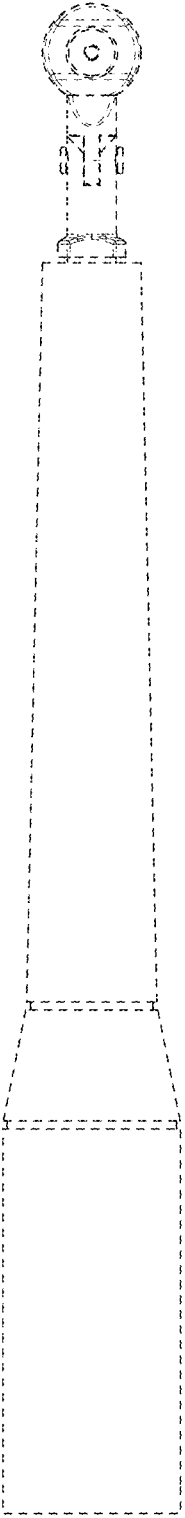


FIG. 5

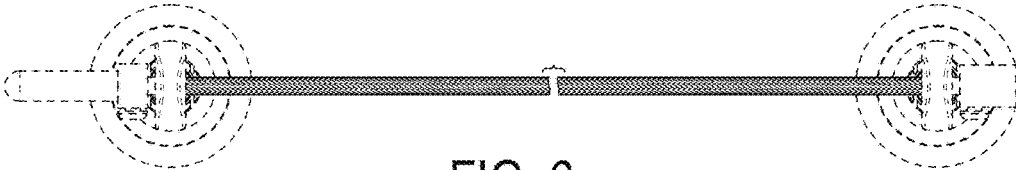


FIG. 6

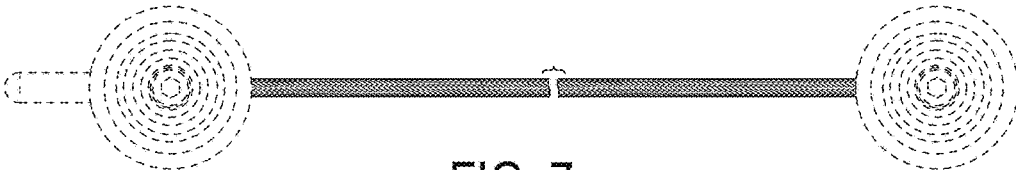


FIG. 7

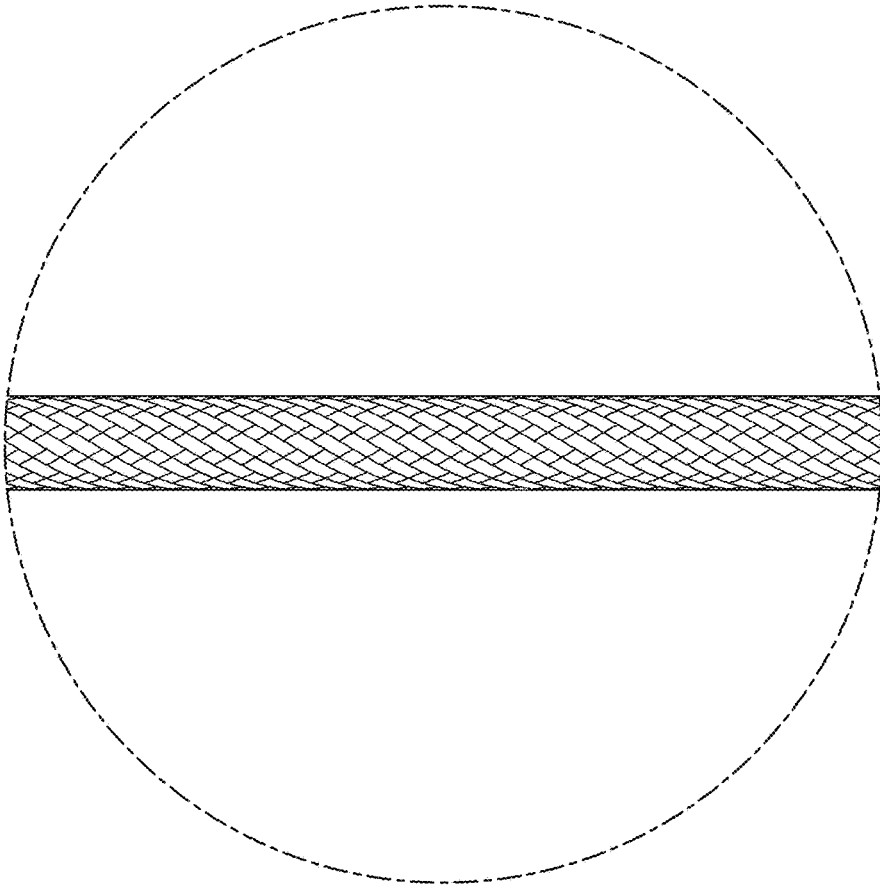


FIG. 8