



US00D414952S

United States Patent [19] Slear

[11] Patent Number: Des. 414,952

[45] Date of Patent: ** Oct. 12, 1999

[54] SITE FURNITURE

D. 363,171 10/1995 Kramer D6/381
D. 384,512 10/1997 Skalka D6/370

[76] Inventor: Carl A. Slear, 788 Mercer Rd., Butler, Pa. 16001

Primary Examiner—Gary D. Watson
Attorney, Agent, or Firm—Webb Ziesenheim Logsdon Orkin & Hanson, P.C.

[**] Term: 14 Years

[21] Appl. No.: 29/082,199

[57] CLAIM

[22] Filed: Jan. 16, 1998

The ornamental design for site furniture, as shown.

[51] LOC (6) Cl. 06-01

DESCRIPTION

[52] U.S. Cl. D6/370; D6/381

FIG. 1 is a perspective view of site furniture in the form of a bench showing my new design;
FIG. 2 is a front elevation view thereof;
FIG. 3 is a rear elevation view thereof;
FIG. 4 is a top plan view thereof;
FIG. 5 is a bottom plan view thereof;
FIG. 6 is a right side elevation view thereof; and,
FIG. 7 is a left side elevation view thereof.

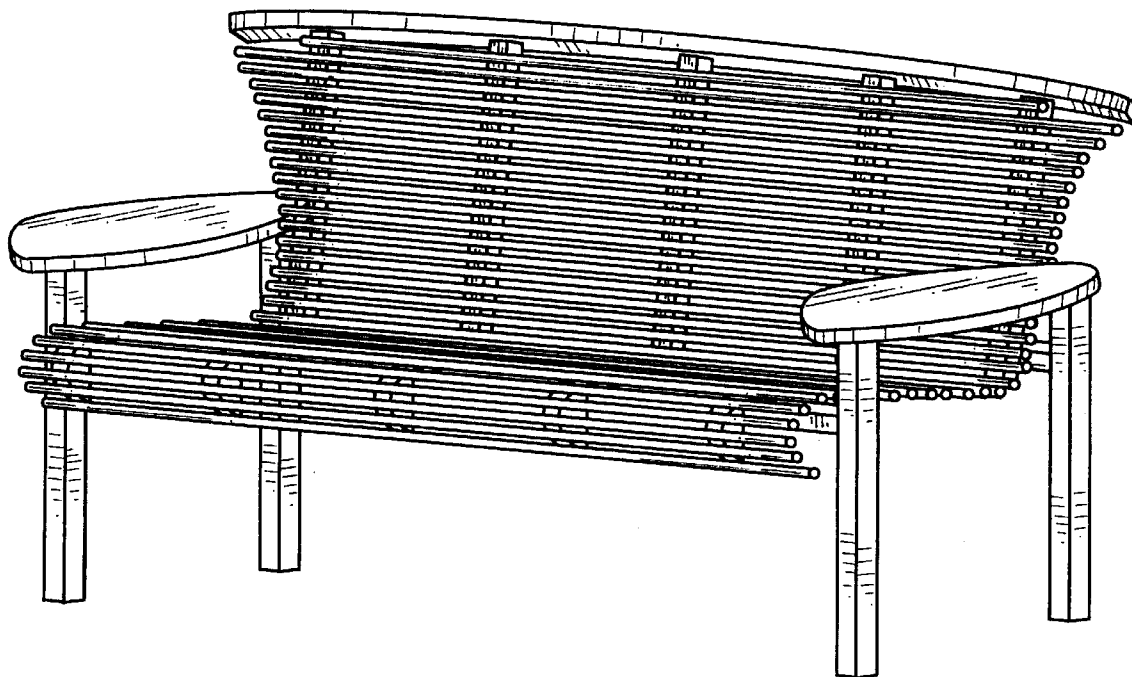
[58] Field of Search D6/334, 335, 370, D6/374, 375, 376, 379, 381, 500, 501, 502; 297/232

[56] References Cited

U.S. PATENT DOCUMENTS

D. 263,353 3/1982 Beals D6/370
D. 361,901 9/1995 Szekely D6/370

1 Claim, 4 Drawing Sheets



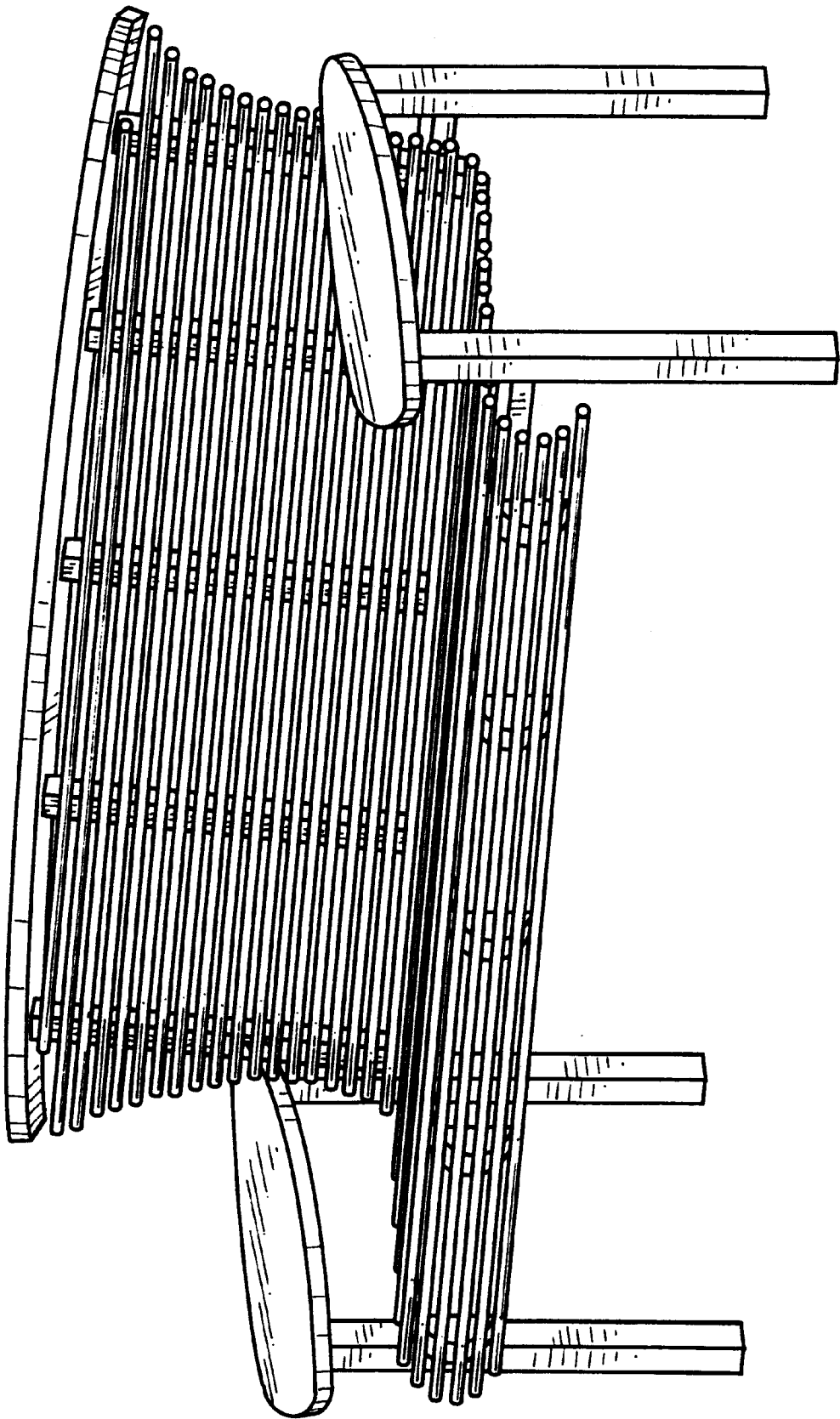


FIG. 1

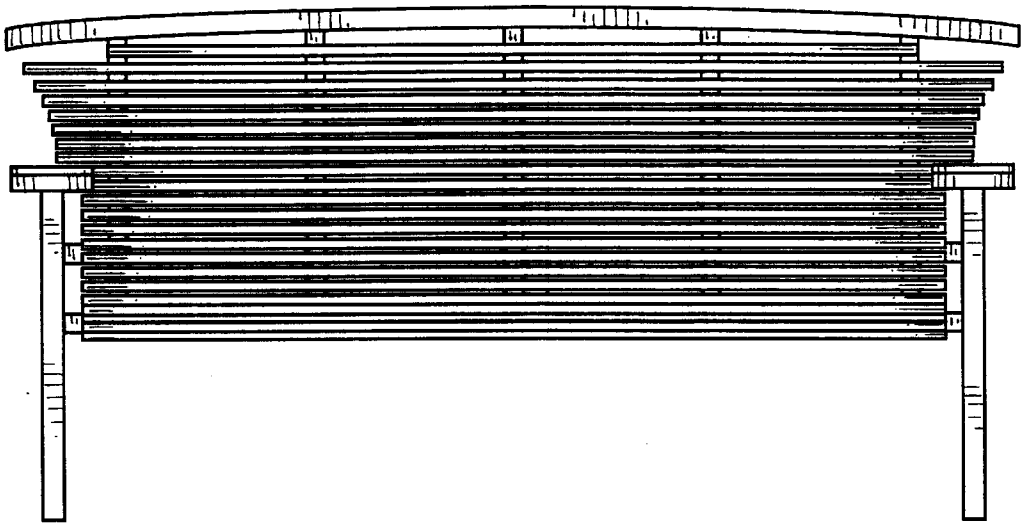


FIG. 2

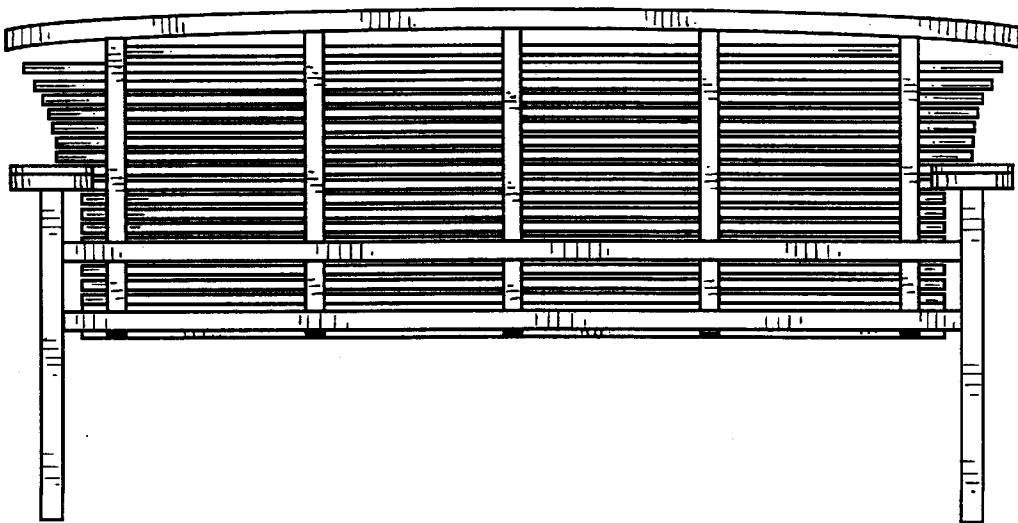


FIG. 3

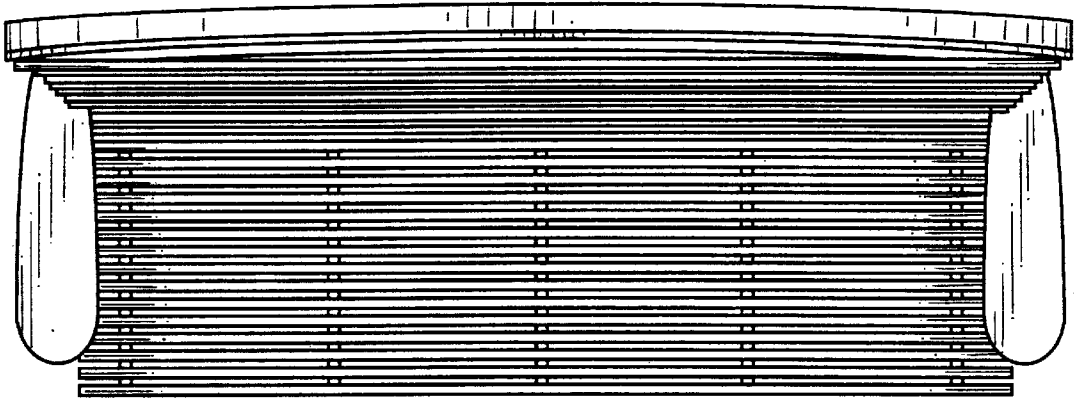


FIG. 4

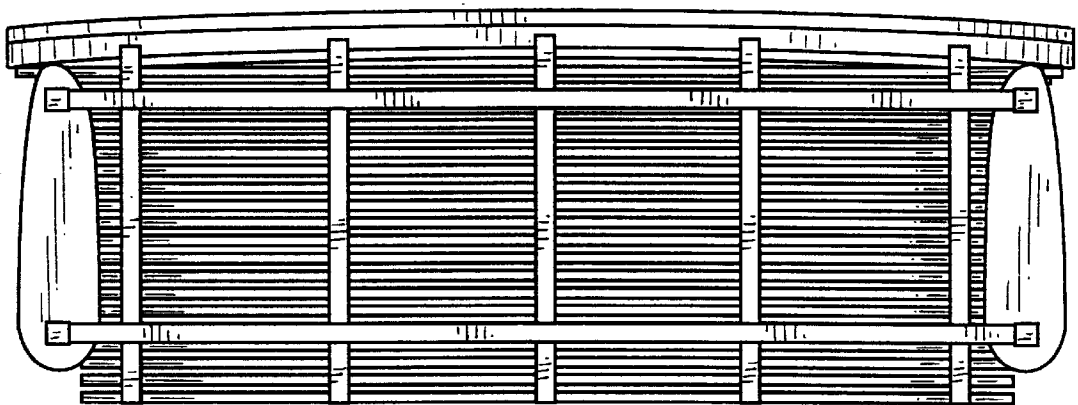


FIG. 5

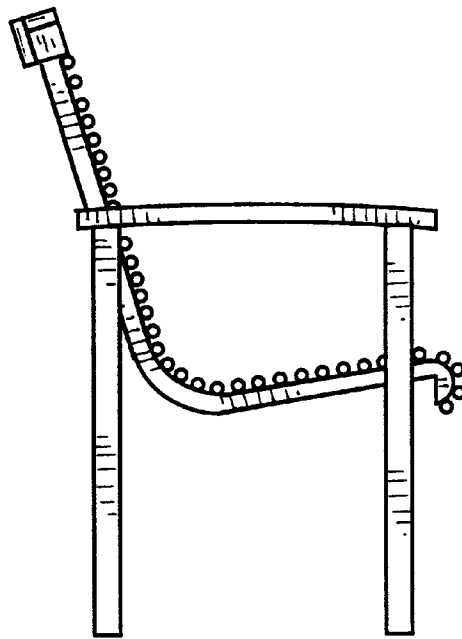


FIG. 6

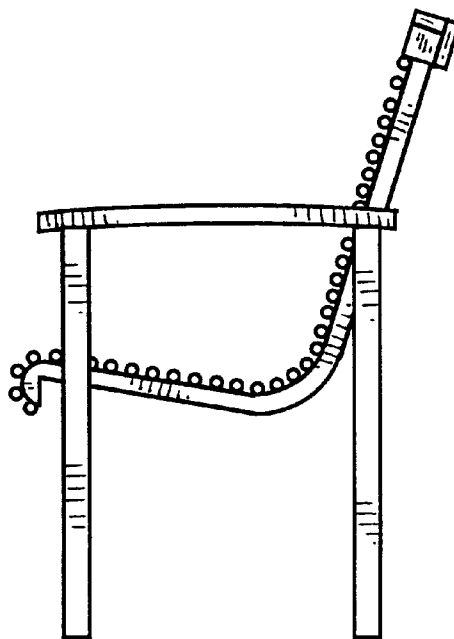


FIG. 7