

(43) Date of A Publication 02.03.1994

(21) Application No 9320841.1

(22) Date of Filing 09.10.1993

(71) Applicant(s)
Stuart Edward Saunders
65 Colville Road, Oulton Broad, LOWESTOFT, Suffolk,
NR33 9RD, United Kingdom

(72) Inventor(s)
Stuart Edward Saunders

(74) Agent and/or Address for Service
Stuart Edward Saunders
65 Colville Road, Oulton Broad, LOWESTOFT, Suffolk,
NR33 9RD, United Kingdom

(51) INT CL⁵
A63G 1/32

(52) UK CL (Edition M)
A6M MDB

(56) Documents Cited
US 4538803 A

(58) Field of Search
UK CL (Edition L) A6M MCB MDB MDD MDX MEX ,
A6S S29
INT CL⁵ A63G 1/00 1/32 11/00 , A63H 13/20

(54) Merry-go-round seesaw

(57) A turntable 1 is mounted on a chassis 2 and caused to rotate. Mounted on the turntable 1 is a seesaw 4 mounted on a fulcrum 6 and which is driven up and down by the motion of the turntable. The turntable may also bear other objects (not shown).

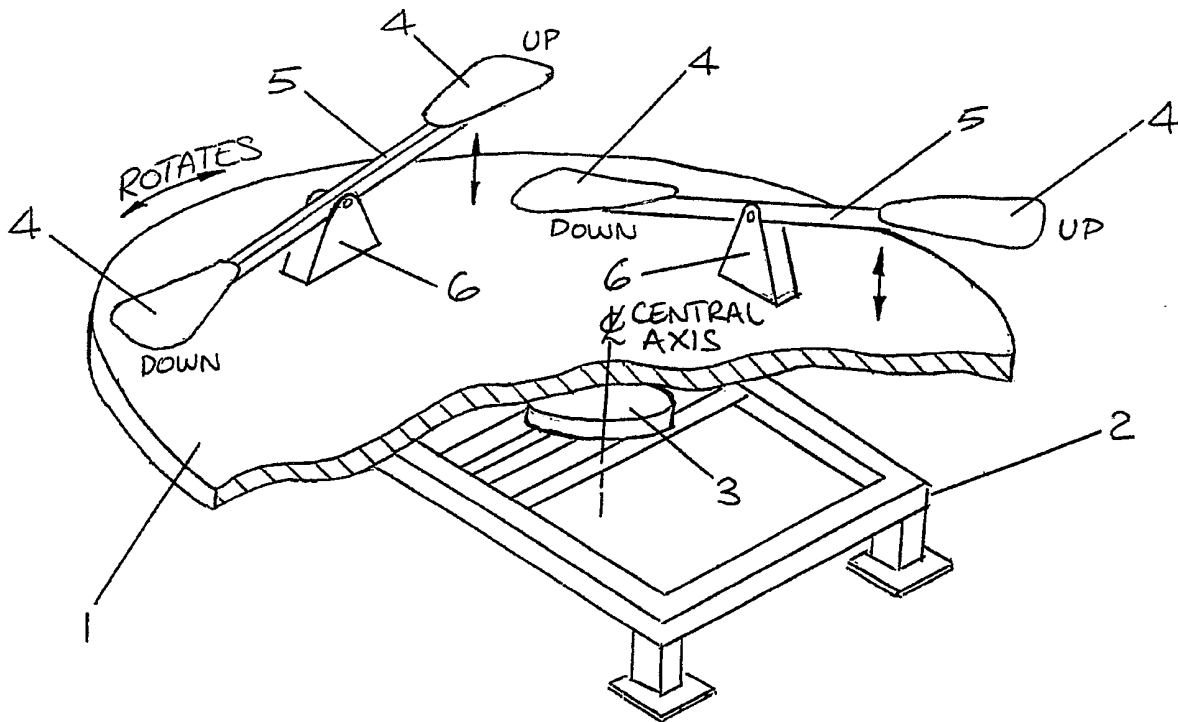


FIG 1

GB 2 270 006 A

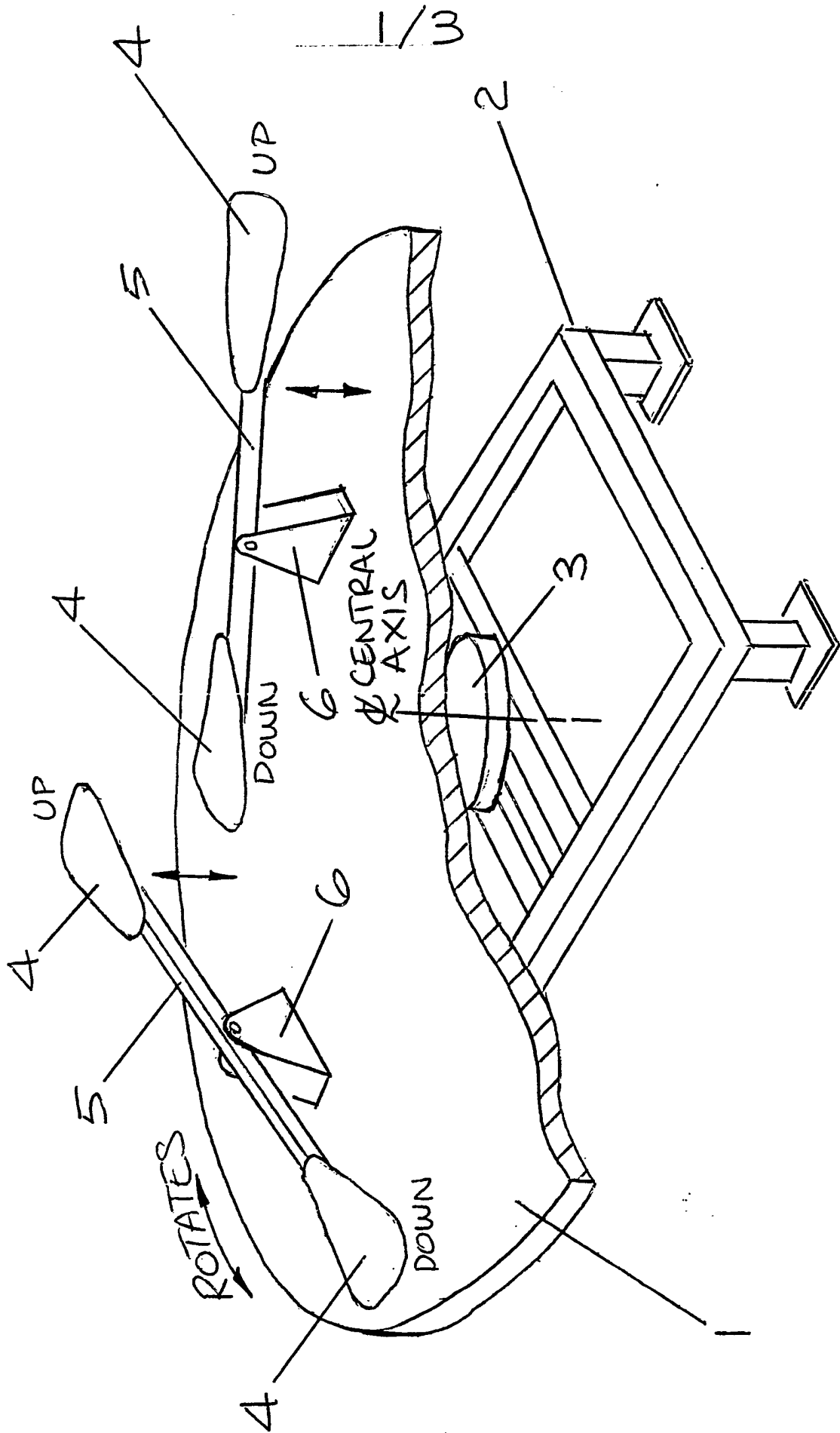


FIG 1

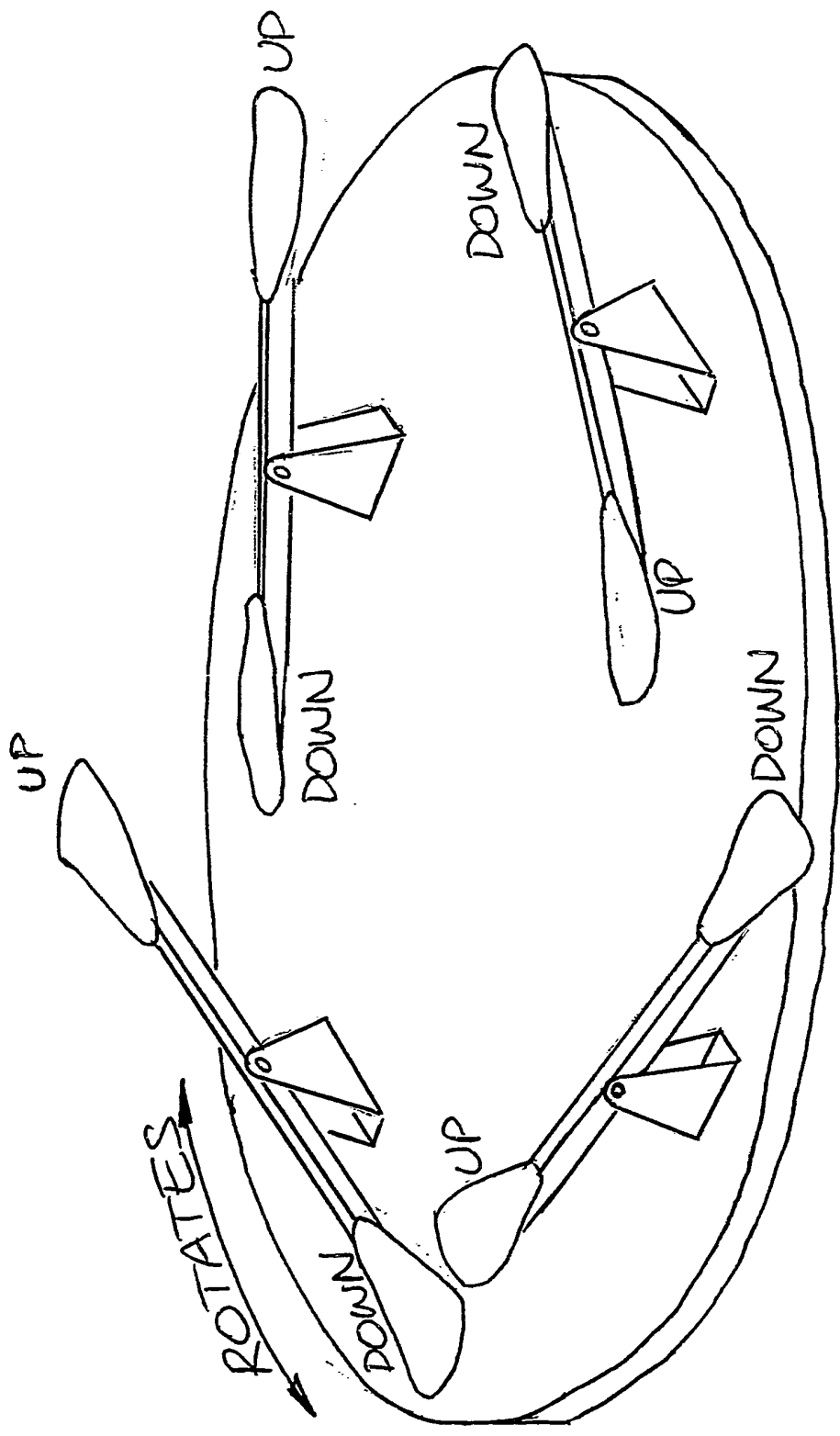


FIG 2

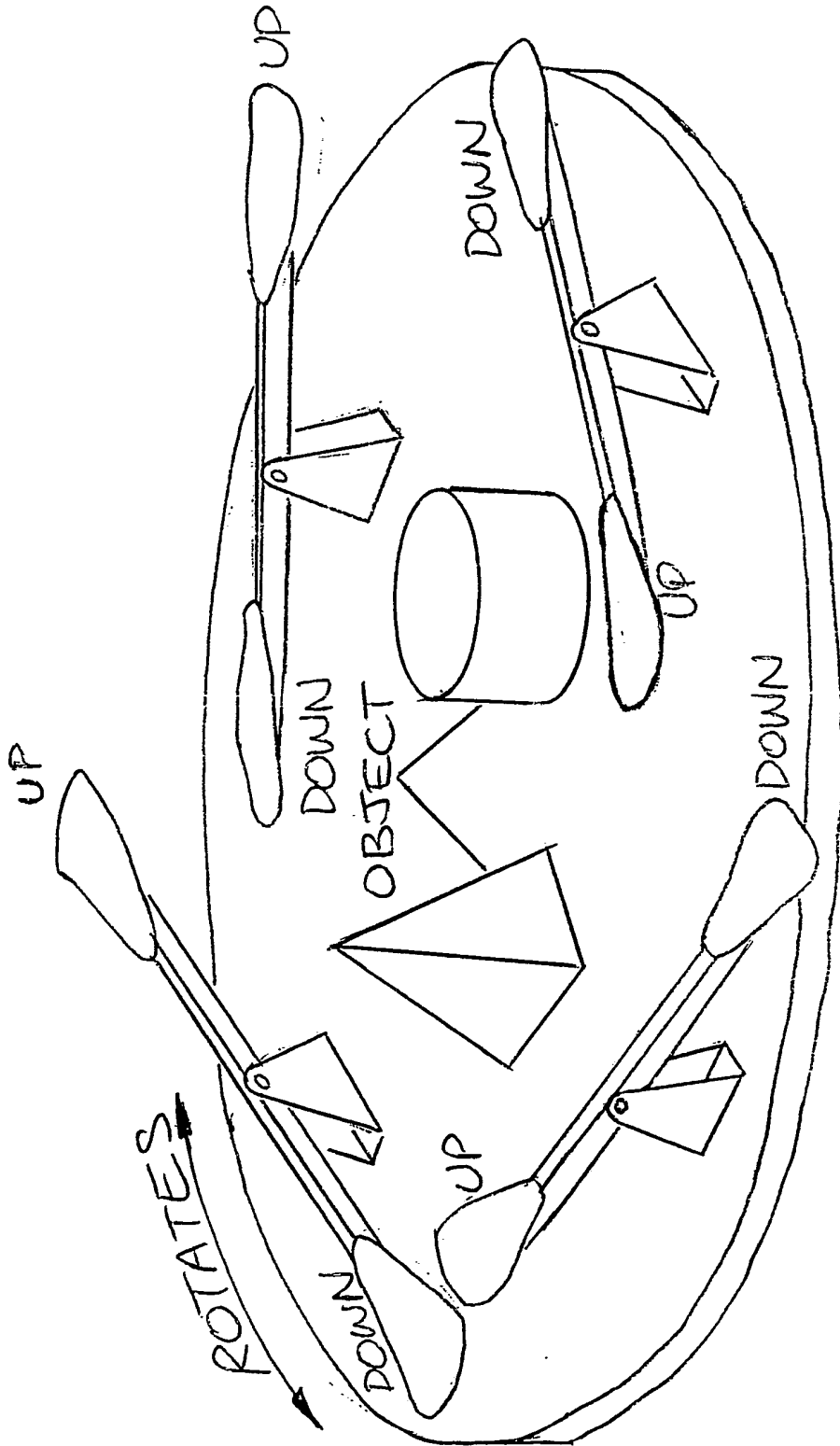


FIG 3

UP AND DOWN MERRY-GO-ROUND

This invention relates to a see saw or see saws on a Merry-Go-Round.

Merry-go-rounds are well known inventions that are used at Fairgrounds and Pleasure Parks for children and adults to ride on for entertainment.

According to the present invention there is provided a body in the form of a turntable that is connected to a chassis by a means situated near the turntable is a means of rotating the turntable in a clockwise motion or an anticlockwise motion or both back and forth in an anticlockwise and clockwise motion. Fixed on the turntable by a means is a see-saw or a number of see-saws or a number of see-saws and other passenger carrying devices or a number of see-saws and other objects when the turntable is in motion the see-saws are made to go up and down by a means. The see-saws comprise of a passenger carrying device at each end of a supporting arm that is connected to a pivot point base by a means. The pivot point base is fixed by a means to the turntable.

A specific embodiment of the invention will now be described by the way of example with reference to the accompanying drawing in which:-

Figure 1 shows in perspective with a section of the turntable removed for clarity the turntable in position on the chassis and a see-saw positioned on the turntable. The chassis is positioned stationary on the ground

Figure 2 shows a number of see-saws positioned on the turntable.

Figure 3 shows a number of see-saws positioned on the turntable and other objects.

Referring to the drawing, Figure 1 the Merry-Go-Round comprises of a body in the form of a turntable 1 that is connected to a chassis 2 by a bearing or similar means 3 that will allow the turntable to rotate about the central axis. Situated near the turntable is a device that will make the turntable rotate (not shown). Fixed on the turntable by a means is a see-saw or see-saws which comprise of a passenger carrying device 4 at each end of a supporting arm 5 that is connected to a pivot point base 6 that is connected by a means to the turntable. A see-saw is an assembly of item numbers 4, 5 and 6.

CLAIMS

- 1 An up and down Merry-Go-Round comprising of a body in the form of a turntable that is connected to a chassis by a means. Situated near the turntable is a means of rotating the turntable in a clockwise or anticlockwise motion or both back and forth in an anticlockwise motion or both back and forth in an anticlockwise and clockwise motion. Fixed on the turntable by a means is a see-saw or see-saws are made to go up and down by a means. The see-saws comprise of a passenger carrying device at each end of a supporting arm that is connected to a pivot point base by a means. The pivot point base is fixed by a means to the turntable.
- 2 An up and down Merry-Go-Round as claimed in Claim 1 where in there are other additional passenger carrying devices or objects on the turntable.
- 3 An up and down Merry-Go-Round as claimed in Claim 1 or Claim 2 where in the turntable can fold up.
- 4 An up and down Merry-Go-Round as claimed in Claim 1 or Claim 2 or Claim 3 where in the chassis is part of a trailer.

CLAIMS CONTINUED

- 5 An up and down Merry-Go-Round substantially as described herein with reference to Figure 1-3 of the accompanying drawing.

Relevant Technical Fields

Search Examiner
 A T BLUNT

(i) UK Cl (Ed.L) A6M (MCB, MDB, MDD, MDX, MEX); A6S (S29)

(ii) Int Cl (Ed.5) A63G 1/00, 1/32, 11/00; A63H 13/20

Date of completion of Search
 1 DECEMBER 93

Databases (see below)

(i) UK Patent Office collections of GB, EP, WO and US patent specifications.

Documents considered relevant following a search in respect of Claims :-
 1-5

(ii)

Categories of documents

- | | |
|---|---|
| X: Document indicating lack of novelty or of inventive step. | P: Document published on or after the declared priority date but before the filing date of the present application. |
| Y: Document indicating lack of inventive step if combined with one or more other documents of the same category. | E: Patent document published on or after, but with priority date earlier than, the filing date of the present application. |
| A: Document indicating technological background and/or state of the art. | &: Member of the same patent family; corresponding document. |

Category	Identity of document and relevant passages	Relevant to claim(s)
A	US 4538803 (GOLDFARB)	1

Databases:The UK Patent Office database comprises classified collections of GB, EP, WO and US patent specifications as outlined periodically in the Official Journal (Patents). The on-line databases considered for search are also listed periodically in the Official Journal (Patents).