

[54] FLOW CONTROL VALVE
[76] Inventor: Andrew L. Pansini, 200 Golden Gate Ave., Belvedere, Calif. 94920

3,392,738 7/1968 Pansini 134/167 R
3,779,269 12/1973 Gould 137/624.14
3,921,654 11/1975 Pansini 134/167 R
D. 190,895 7/1961 Dillon D23/19

[**] Term: 14 Years

Primary Examiner—James R. Largen
Attorney, Agent, or Firm—Frank A. Neal

[21] Appl. No.: 659,222

[57] CLAIM

[22] Filed: Feb. 19, 1976

The design for a flow control valve, as shown.

[51] Int. Cl. D23-01

DESCRIPTION

[52] U.S. Cl. D23/19

[58] Field of Search D23/19-39;
134/56 R, 167 R; 137/624.14, 624.15

FIG. 1 is a perspective view of a flow control valve showing my new design;

[56] References Cited

U.S. PATENT DOCUMENTS

2,339,101 1/1944 Parker D23/22 X

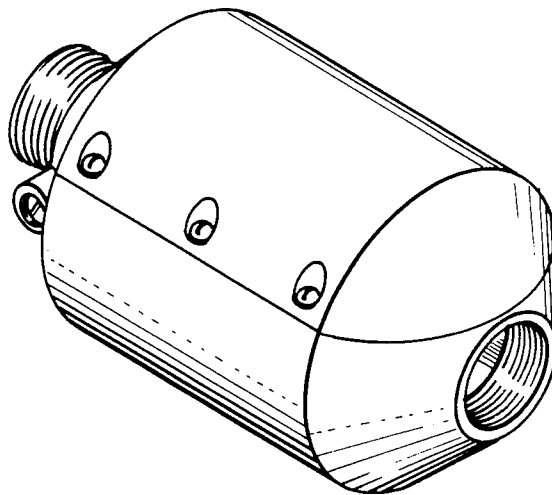
FIG. 2 is a top plan view thereof;

FIG. 3 is a left side elevational view thereof;

FIG. 4 is a front elevational view thereof;

FIG. 5 is a right side elevational view thereof; and

FIG. 6 is a bottom plan view thereof.



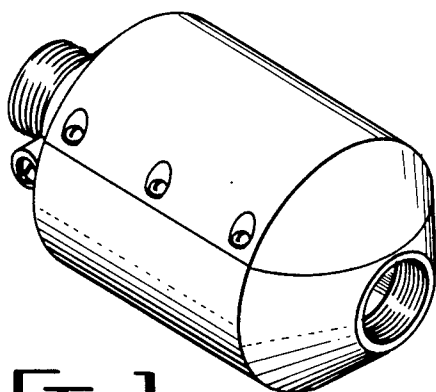


FIG. 1.

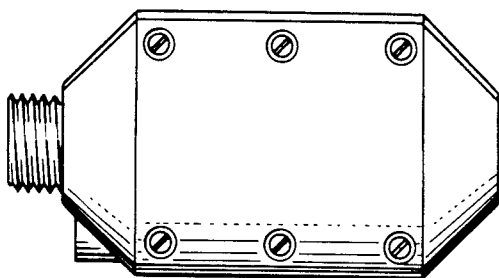


FIG. 2.

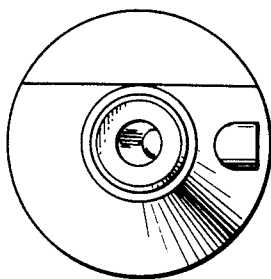


FIG. 3.

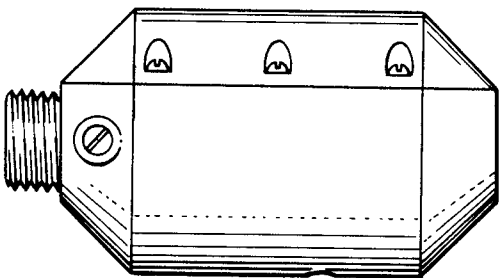


FIG. 4.

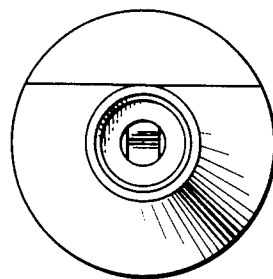


FIG. 5.

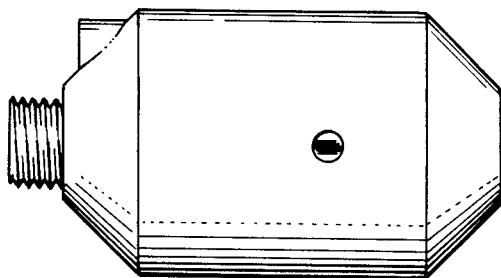


FIG. 6.