



US0D1004918S

(12) **United States Design Patent**  
**Tang**

(10) **Patent No.:** **US D1,004,918 S**

(45) **Date of Patent:** **\*\* Nov. 21, 2023**

(54) **SLIPPER**

(71) Applicant: **Wangqiang Tang**, Quanzhou (CN)

(72) Inventor: **Wangqiang Tang**, Quanzhou (CN)

(\*\*) Term: **15 Years**

(21) Appl. No.: **29/900,006**

(22) Filed: **Aug. 16, 2023**

(51) **LOC (14) Cl.** ..... **02-04**

(52) **U.S. Cl.**  
USPC ..... **D2/919; D2/916; D2/960**

(58) **Field of Classification Search**  
USPC ..... D2/896-900, 916-926, 946, 960, 969  
CPC .... A43B 3/12; A43B 1/10; A43B 3/10; A43B  
3/102-106  
See application file for complete search history.

(56) **References Cited**

**U.S. PATENT DOCUMENTS**

D275,145 S *	8/1984	Glatz	.....	D2/916
8,109,012 B2 *	2/2012	Sarantakos	.....	A43B 5/08 36/8.1
D932,146 S *	10/2021	Hardy	.....	D2/916
D935,749 S *	11/2021	Fongher	.....	D2/918
D950,203 S	5/2022	Chen		
D950,206 S	5/2022	Luo		
D951,605 S *	5/2022	Etcheverry	.....	D2/916
D955,094 S	6/2022	Chen et al.		
D963,999 S	9/2022	Kaiser		

D985,900 S	5/2023	Chen		
D985,901 S	5/2023	Chen		
D992,870 S *	7/2023	Zhou	.....	D2/916
D996,785 S *	8/2023	Yung	.....	D2/916
2012/0174439 A1 *	7/2012	O'Connor	.....	A43B 13/141 36/11.5

\* cited by examiner

*Primary Examiner* — Rashida C. Walshon

(74) *Attorney, Agent, or Firm* — Jose Cherson Weissbrot

(57) **CLAIM**

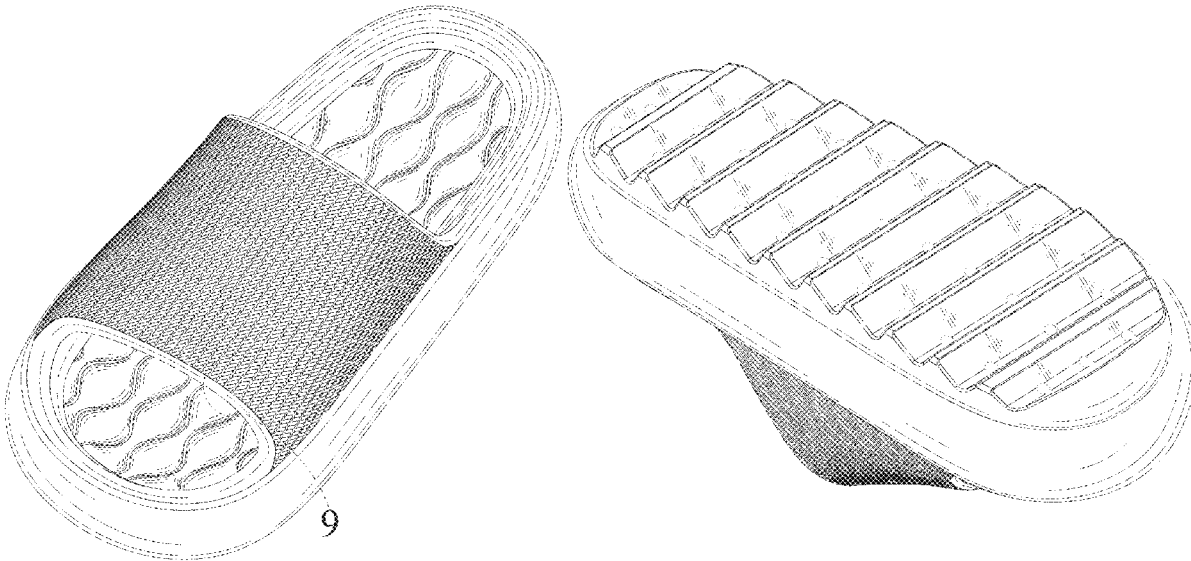
The ornamental design for a slipper, as shown and described.

**DESCRIPTION**

FIG. 1 is a top perspective view of a slipper showing my new design;  
FIG. 2 is a bottom perspective view thereof;  
FIG. 3 is a front view thereof;  
FIG. 4 is a rear view thereof;  
FIG. 5 is a left side view thereof;  
FIG. 6 is a right side view thereof;  
FIG. 7 is a top plan view thereof;  
FIG. 8 is a bottom plan view thereof; and,  
FIG. 9 is an enlarged view of portion marked as "9" in FIG. 1.

The broken lines in the drawings depict portions of the slipper that form no part of the claimed design.

**1 Claim, 9 Drawing Sheets**



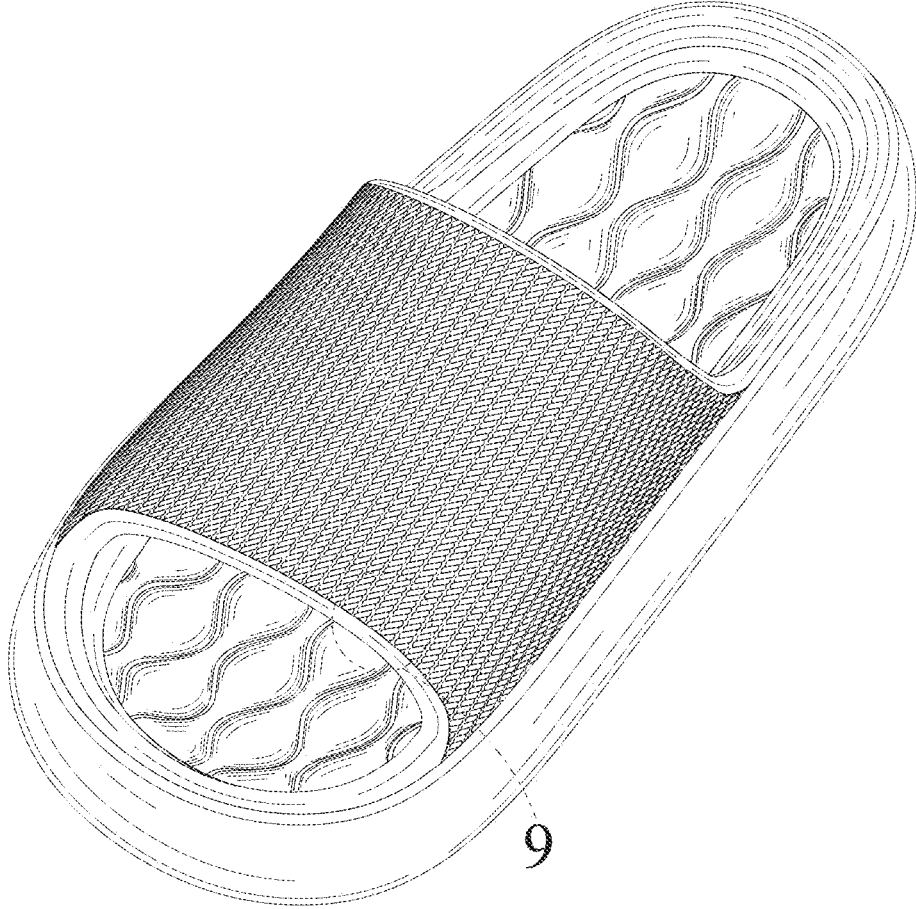


FIG. 1

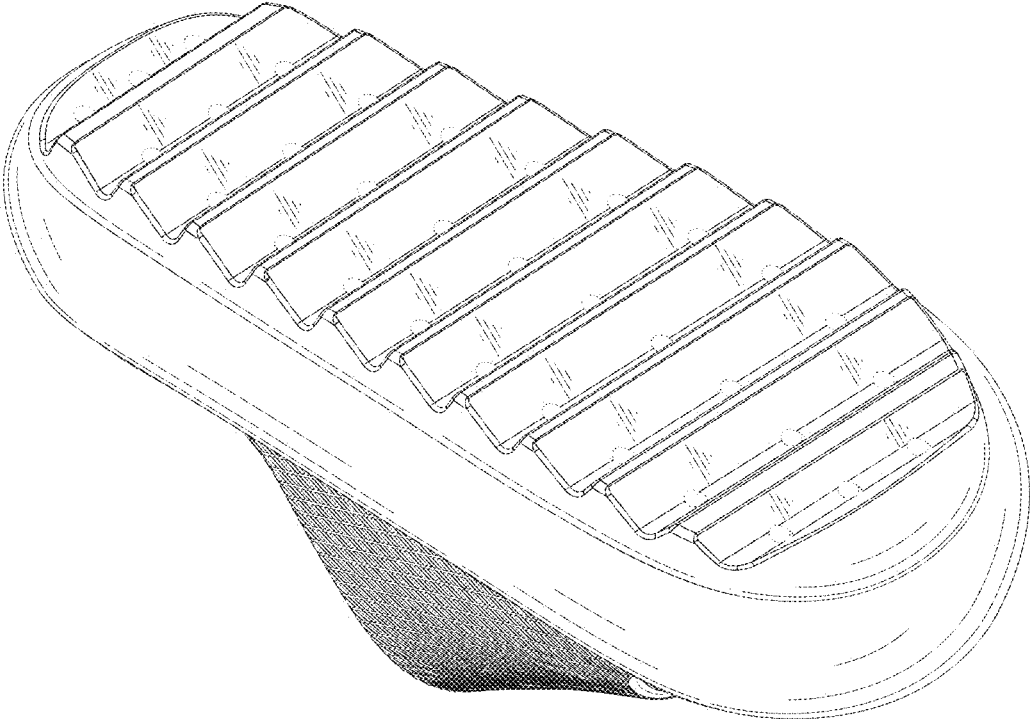


FIG.2

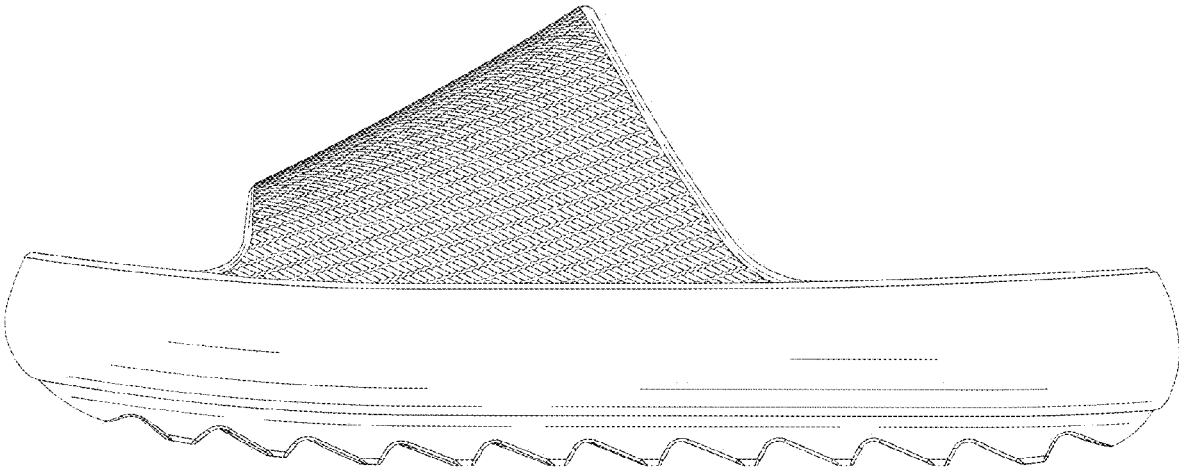


FIG.3

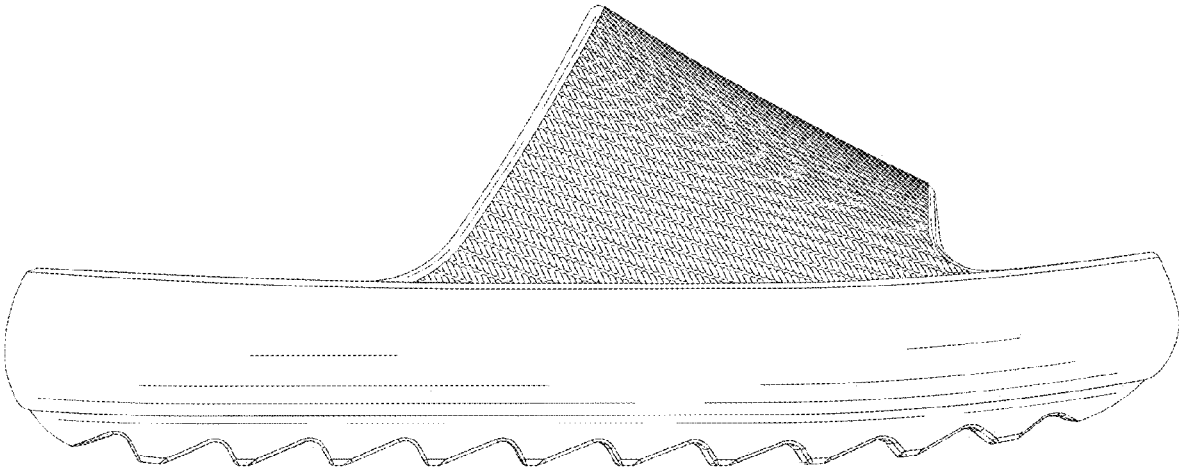


FIG.4

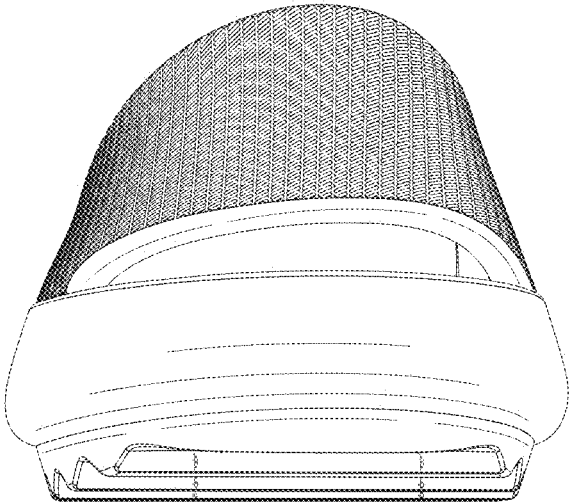


FIG.5

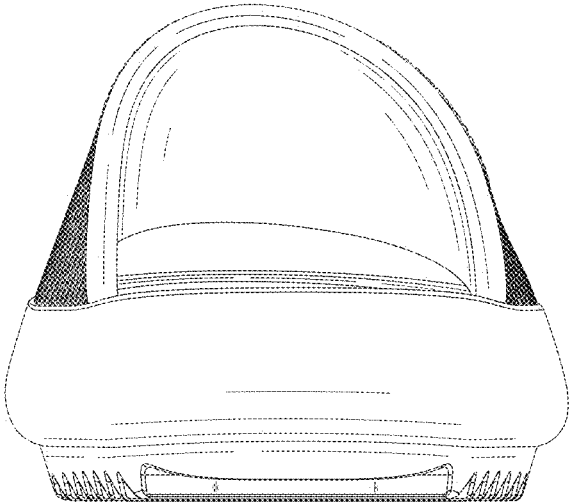


FIG.6

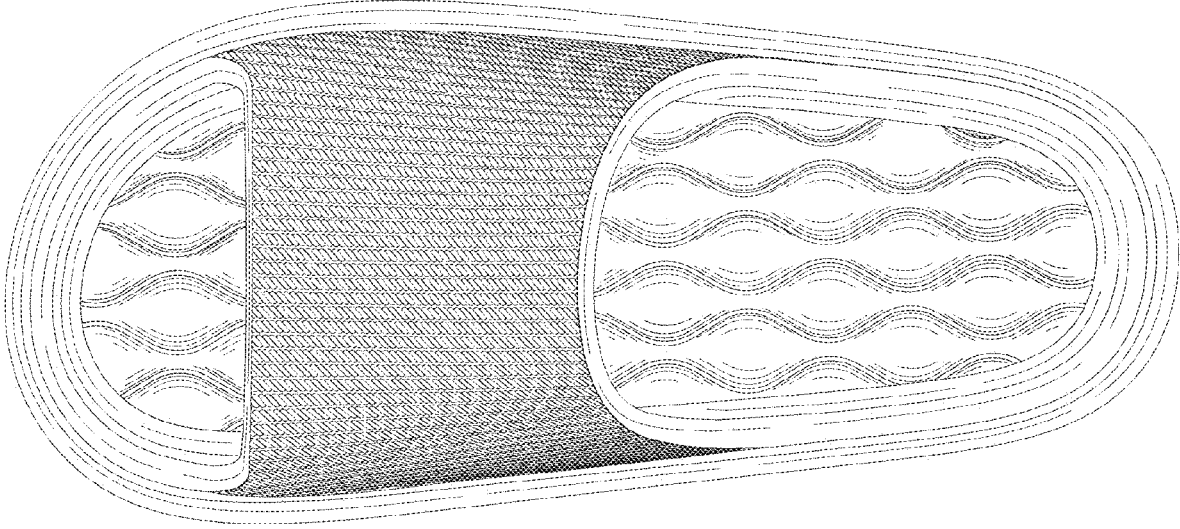


FIG. 7



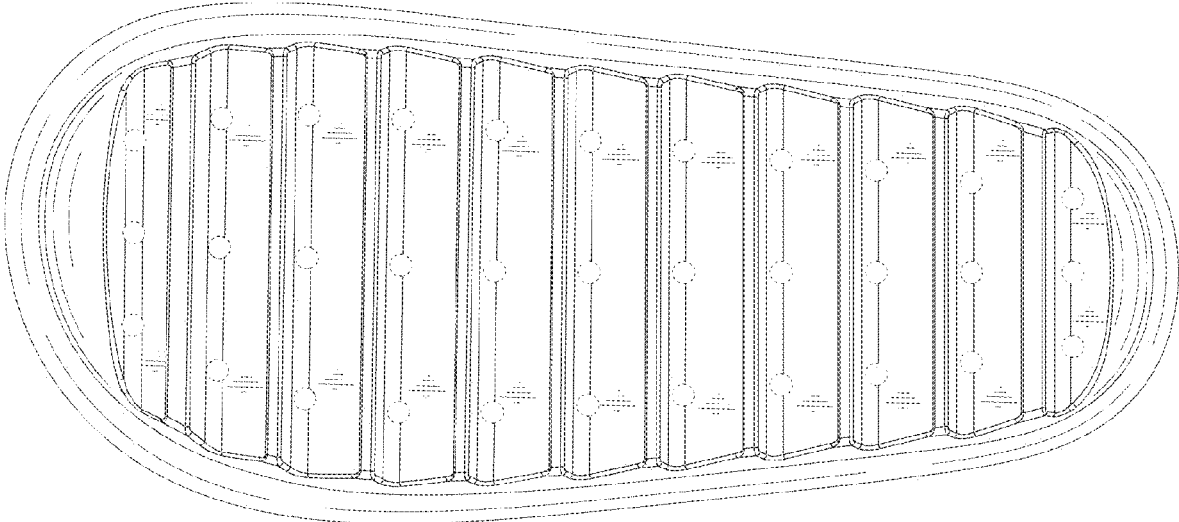


FIG.8

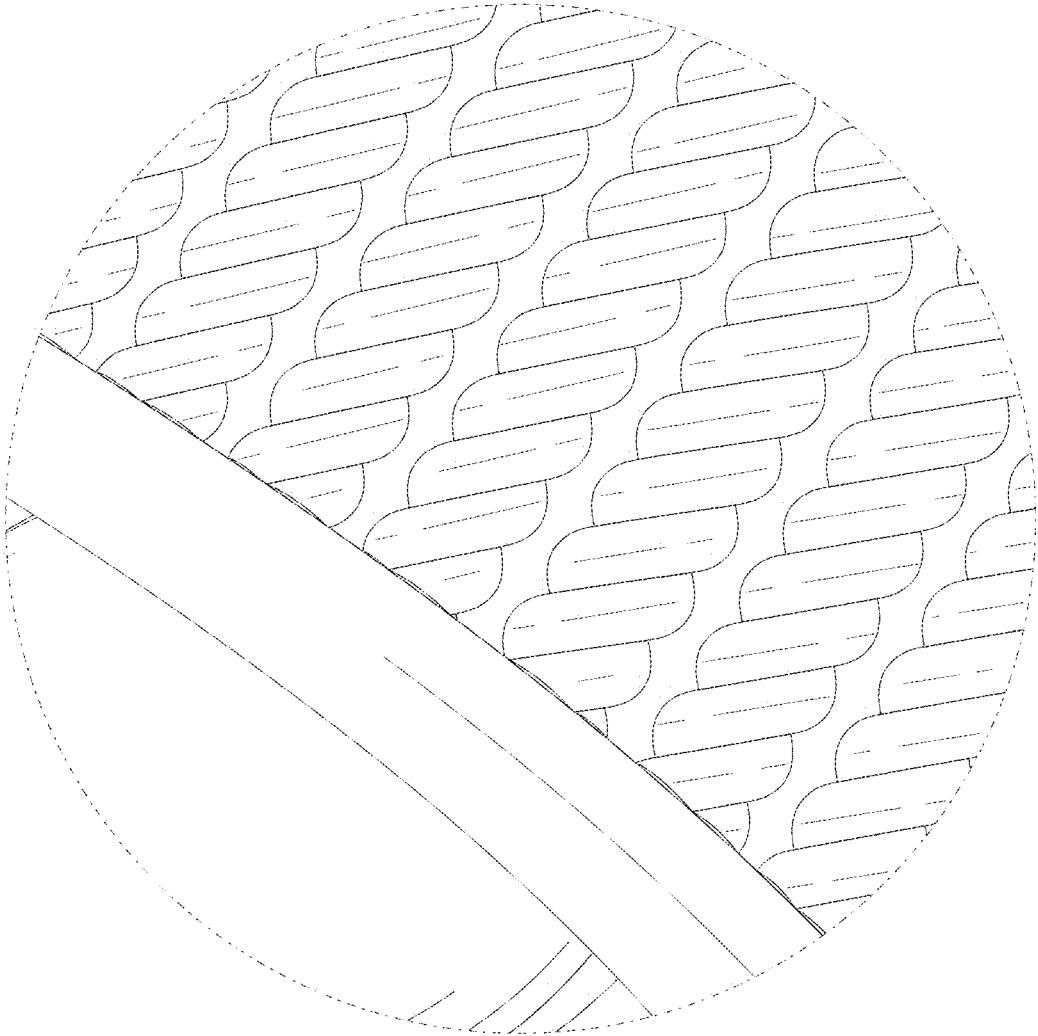


FIG.9