



US00D347131S

United States Patent [19] Wolff

[11] Patent Number: Des. 347,131

[45] Date of Patent: ** May 24, 1994

[54] BOOKCASE

[75] Inventor: **Stacy L. Wolff**, Akron, Ohio

[73] Assignee: **Rubbermaid Incorporated**, Wooster, Ohio

[**] Term: **14 Years**

[21] Appl. No.: **3,197**

[22] Filed: **Jan. 5, 1993**

[52] U.S. Cl. **D6/479**

[58] Field of Search **D6/477-479,**
D6/449, 474, 468, 465; 108/106-108, 111, 114;
211/186, 188, 135, 176

[56] References Cited

U.S. PATENT DOCUMENTS

D. 245,744	9/1977	Brooks	D6/186
D. 249,618	9/1978	Oxenhandler	D6/186
D. 273,353	4/1984	Secon	D6/479
D. 314,877	2/1991	Bush et al.	D6/479
D. 329,155	9/1992	Schremmer	D6/479
D. 330,652	11/1992	Goetz	D6/479
D. 330,819	11/1992	Dickinson	D6/479
D. 331,160	11/1992	Brunner	D6/479 X
D. 333,220	2/1993	Brunner et al.	D6/479
3,307,505	3/1967	Windross	108/111
3,964,810	6/1976	Murphy	312/257
4,099,472	7/1978	Kellogg	108/114
4,474,416	10/1984	Rogahn	312/257
4,519,511	5/1985	Mendenhall	211/187
4,691,644	9/1987	Frydmann	108/111
4,706,576	11/1987	James	108/111
4,967,916	11/1990	Handler et al.	211/187
5,158,187	10/1992	Taub	211/186

OTHER PUBLICATIONS

Catalog page, Shelving; Potomac Engineering Corp., 919 North Michigan Ave., Chicago, Ill. 60611, publication date-1991.

Catalog page, Bookcase; The Little Tikes Company, 2180 Barlow Road, Hudson, Ohio 44236, publication date-1990.

Equipto Catalog p. 11 Item No. 1153.

Primary Examiner—Nelson C. Holtje

Assistant Examiner—Jeffrey Asch

Attorney, Agent, or Firm—Richard B. O'Planick; Lisa B. Riedesel

[57] CLAIM

The ornamental design for a bookcase, as shown and described.

DESCRIPTION

FIG. 1 is a top left front perspective view of a bookcase showing my new design;

FIG. 2 is a top plan view thereof;

FIG. 3 is a front elevational view thereof;

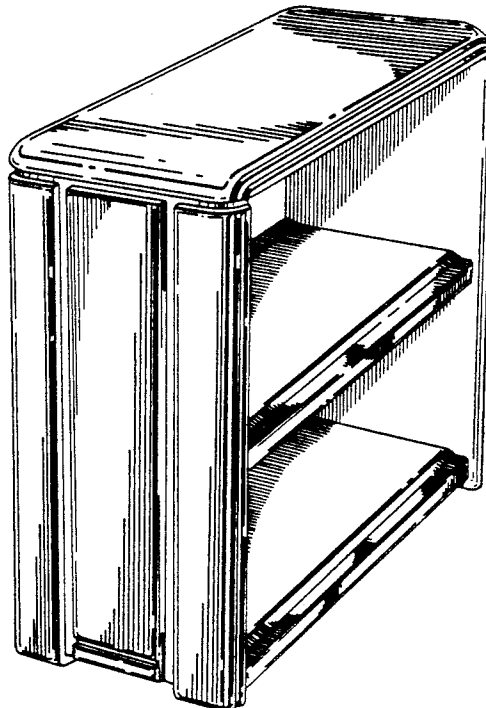
FIG. 4 is a side elevational view thereof; the opposite side being a mirror image;

FIG. 5 is a rear elevational view thereof;

FIG. 6 is a top left front perspective view of a second embodiment of that shown in FIG. 1 the opposite side being a mirror image thereof; and,

FIG. 7 is a top left front perspective view of a third embodiment of that shown in FIG. 1 the opposite side being a mirror image thereof.

The rear surfaces of the second and third embodiments are flat and unornamented in the manner shown by FIG. 5 of the first embodiment.



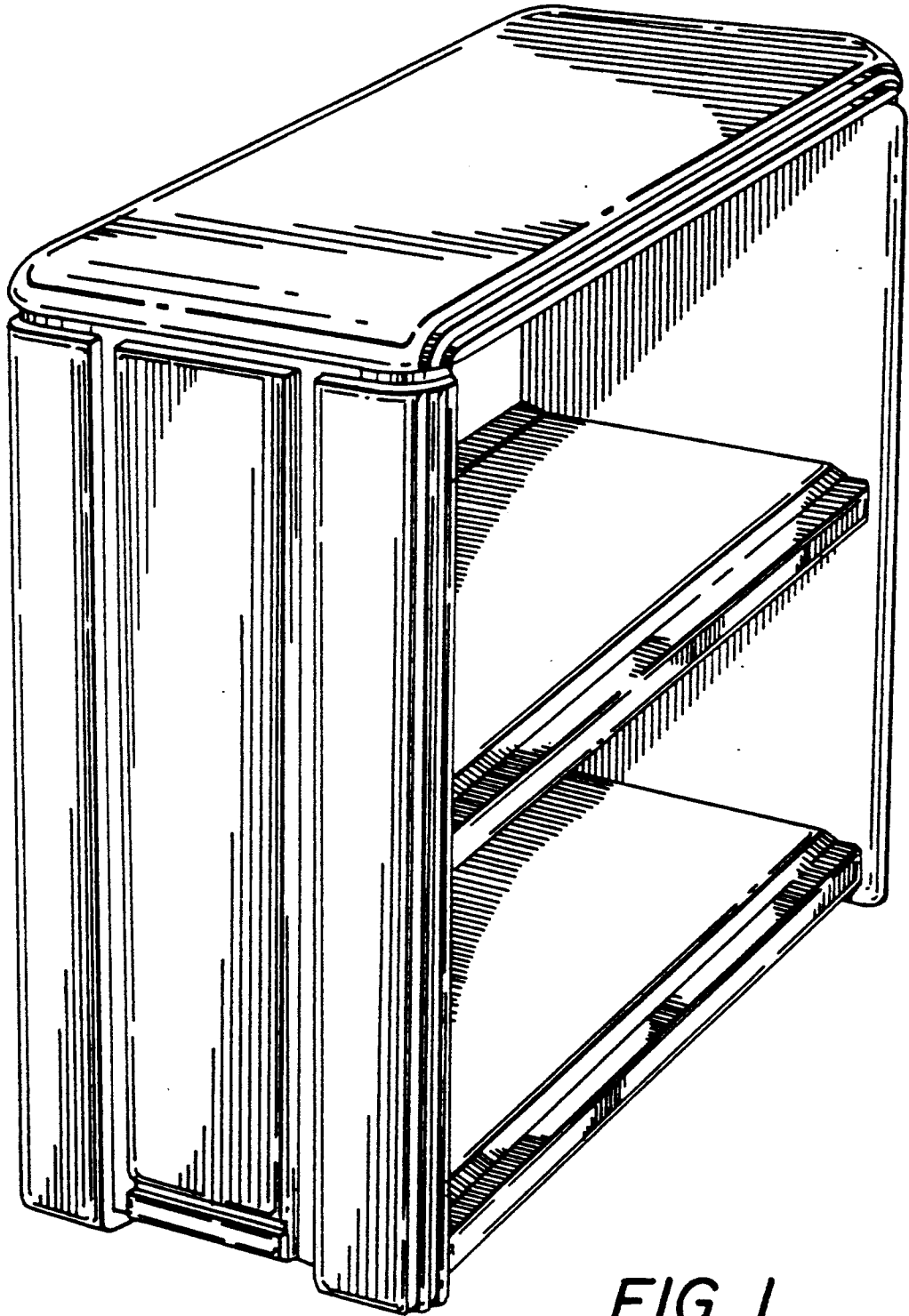


FIG. 1

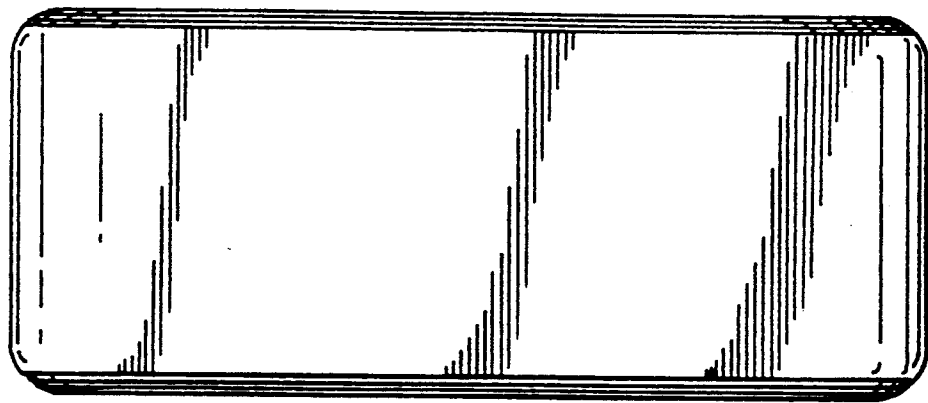


FIG. 2

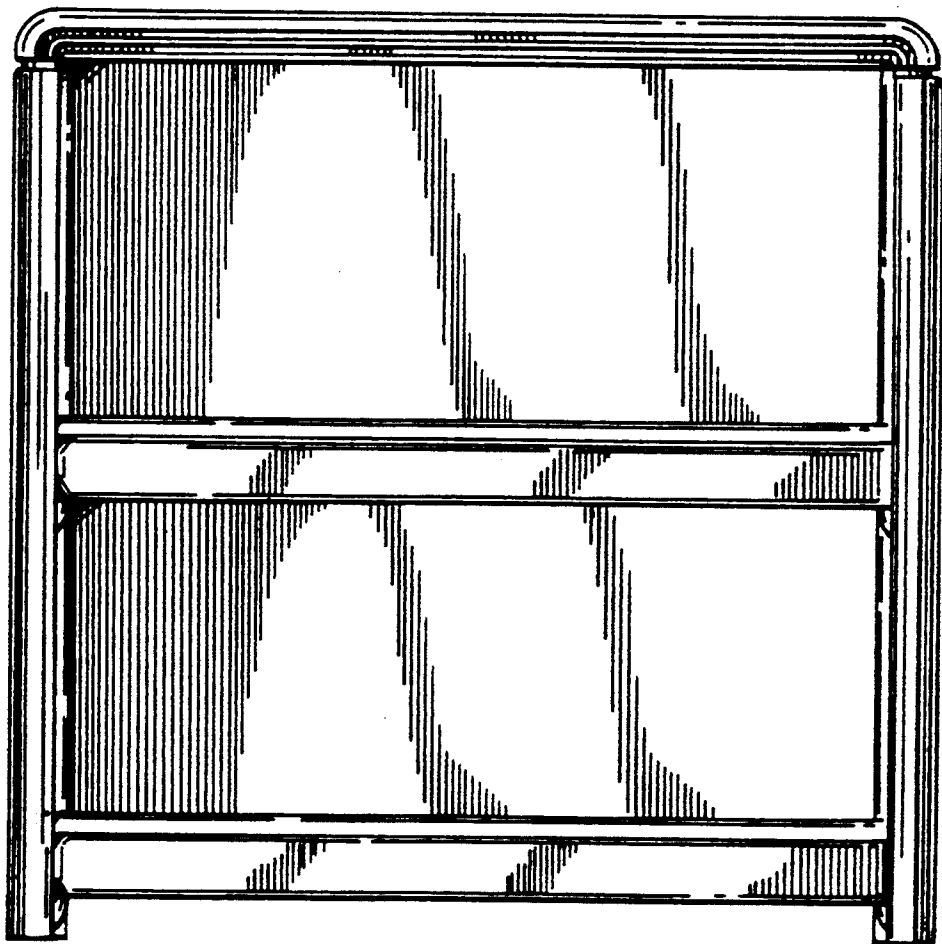


FIG. 3

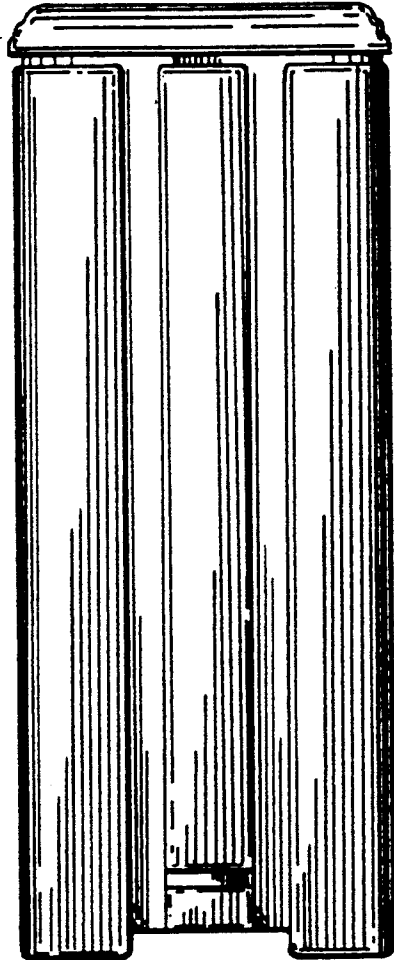


FIG. 4

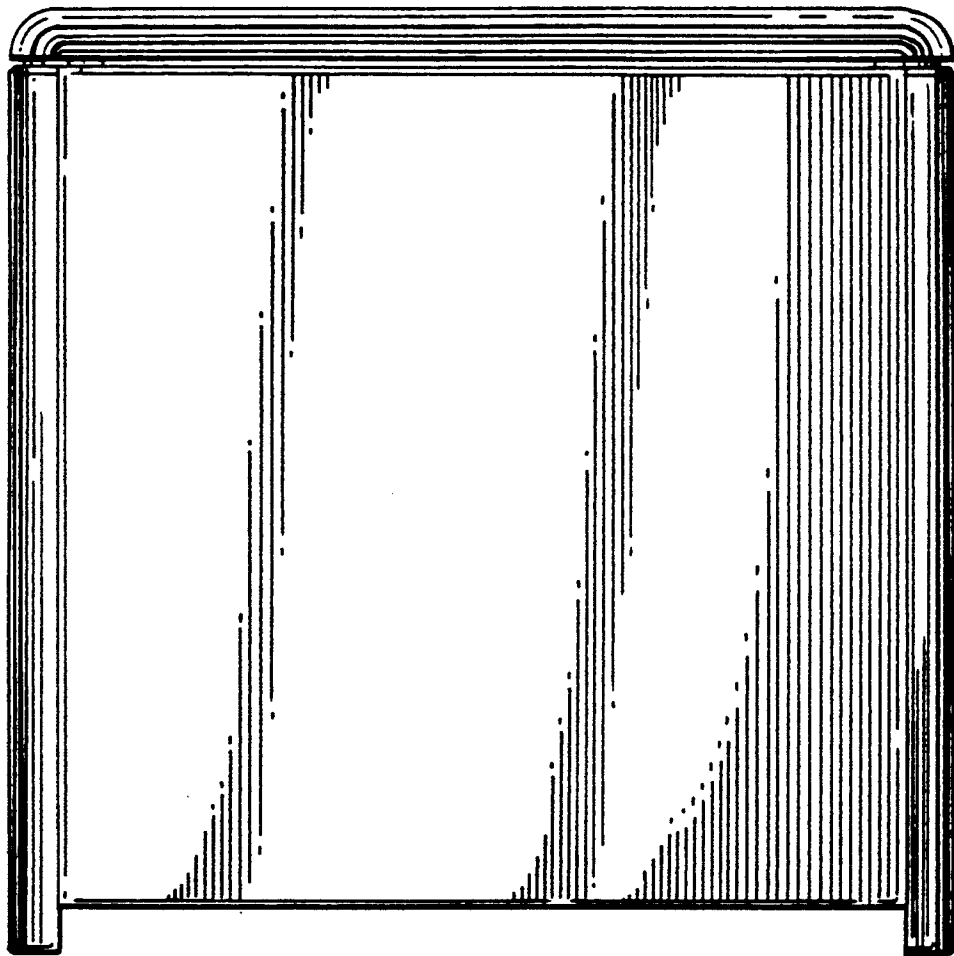


FIG. 5

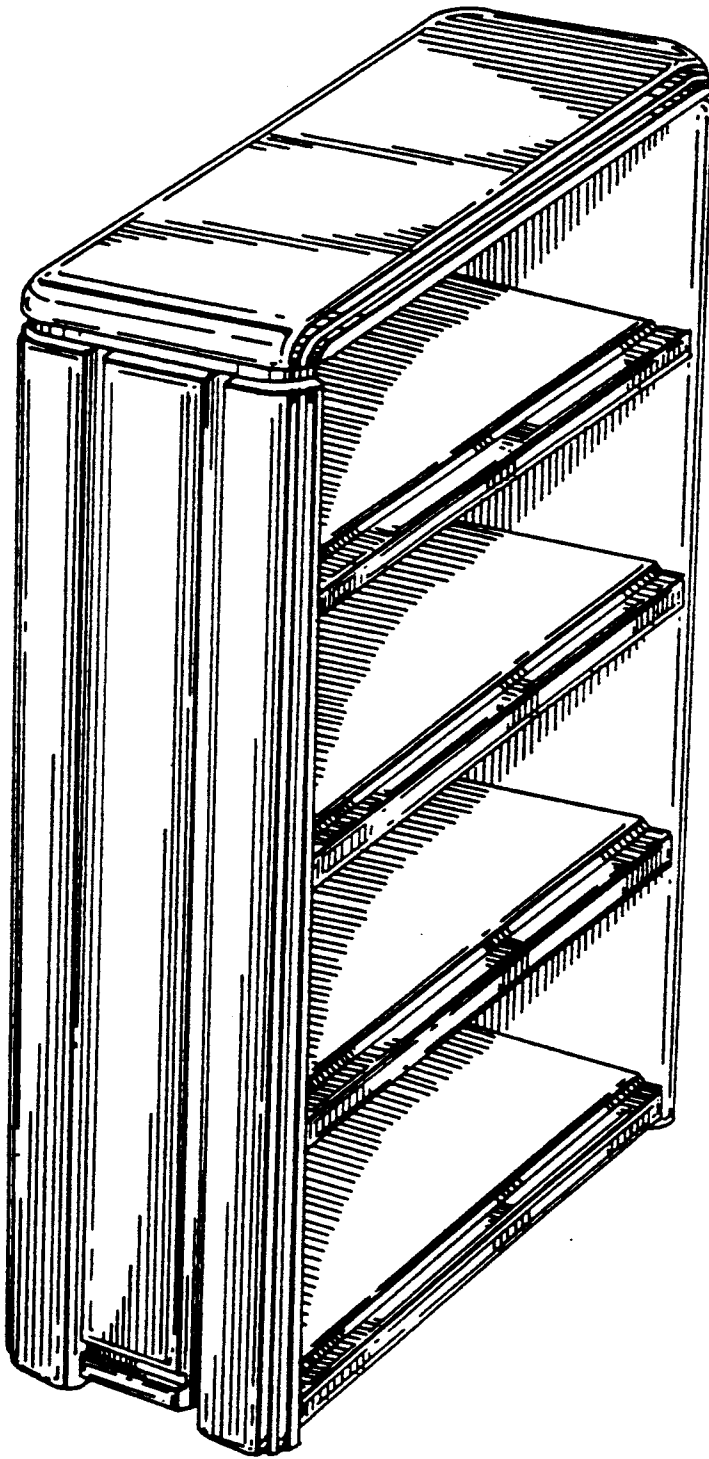


FIG. 6

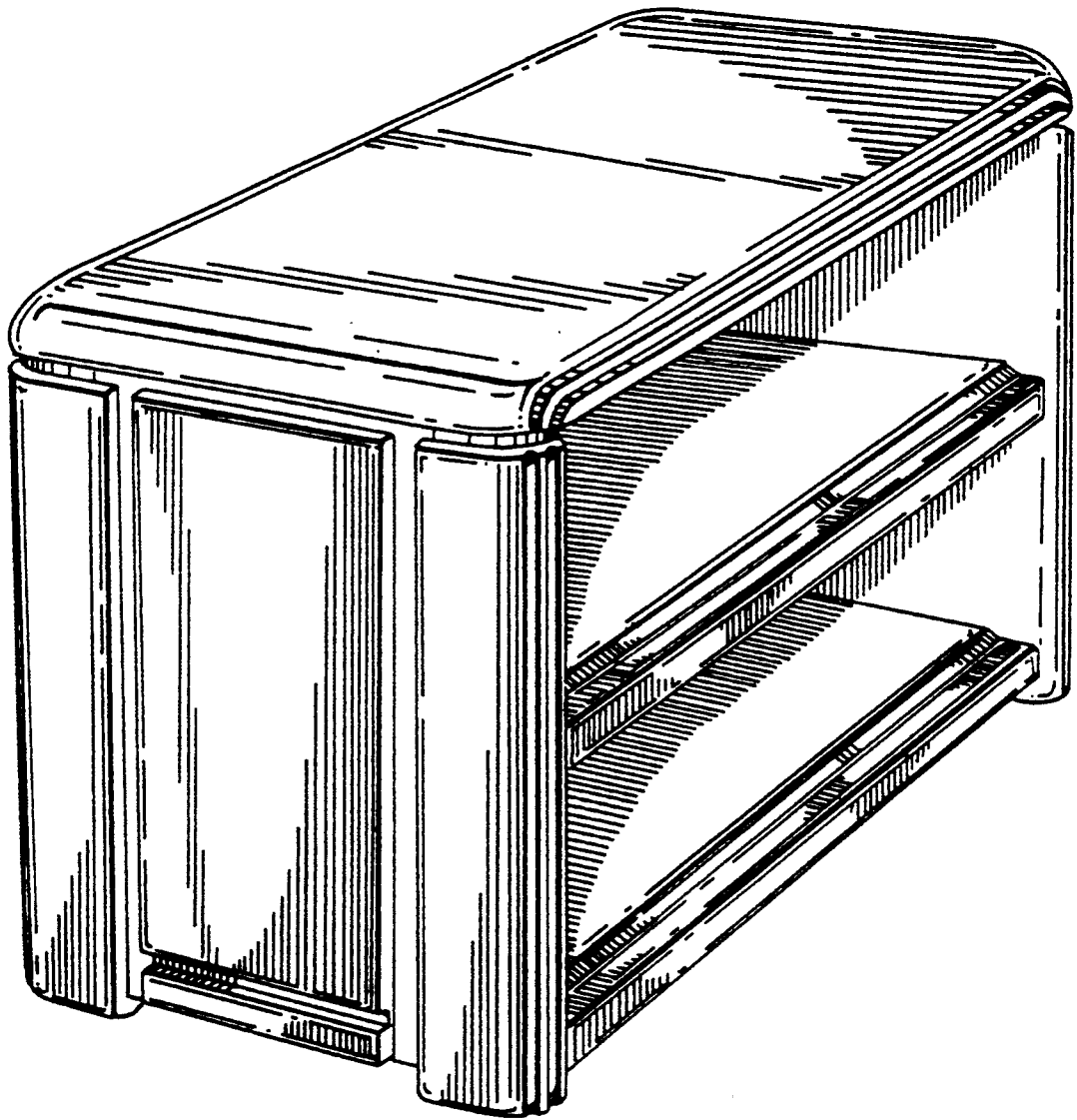


FIG. 7