



(12) **United States Design Patent**  
**Tu**

(10) **Patent No.:** **US D1,016,232 S**  
(45) **Date of Patent:** **\*\* Feb. 27, 2024**

(54) **FAUCET**

**FOREIGN PATENT DOCUMENTS**

(71) Applicant: **GLOBE UNION INDUSTRIAL CORP.**, Taichung (TW)

IN 288548-0001 \* 2/2017  
TW 199728-0001 \* 12/2018

(72) Inventor: **Chun-Yi Tu**, Taichung (TW)

**OTHER PUBLICATIONS**

(73) Assignee: **GLOBE UNION INDUSTRIAL CORP.**, Taichung (TW)

Pfister Weller Bathroom Sink Faucet, first available Feb. 17, 2017[online], [site visited Jul. 31, 2023]. Available from internet, URL:<https://www.amazon.com/dp/B06VW3HJFX/ref=twister\_B09SWTF1ZL?\_encoding=UTF8&th=1> (Year: 2017).\*  
Moen Karis Spot Resist Brushed Nickel One-Handle Lavatory Faucet, first available Oct. 29, 2021[online], [site visited Jul. 31, 2023]. Available from internet, URL:<https://www.amazon.com/dp/B09KN7CQTH?th=1> (Year: 2021).\*

(\*\*) Term: **15 Years**

(21) Appl. No.: **29/840,775**

(22) Filed: **May 31, 2022**

(51) **LOC (14) Cl.** ..... **23-01**  
(52) **U.S. Cl.**

\* cited by examiner

USPC ..... **D23/238**

(58) **Field of Classification Search**

*Primary Examiner* — David G Muller

*Assistant Examiner* — Jamaal Rasheed

(74) *Attorney, Agent, or Firm* — Leong C. Lei

USPC ..... D23/238–244, 252, 254–255, 257, 499;  
D7/398

CPC .... F16K 31/602; F16K 31/605; F16K 31/607;  
E03C 1/0412

See application file for complete search history.

(57) **CLAIM**

The ornamental design for a faucet, as shown and described.

(56) **References Cited**

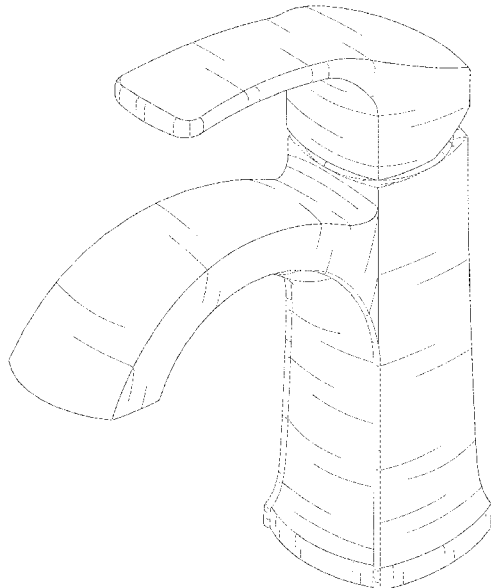
**DESCRIPTION**

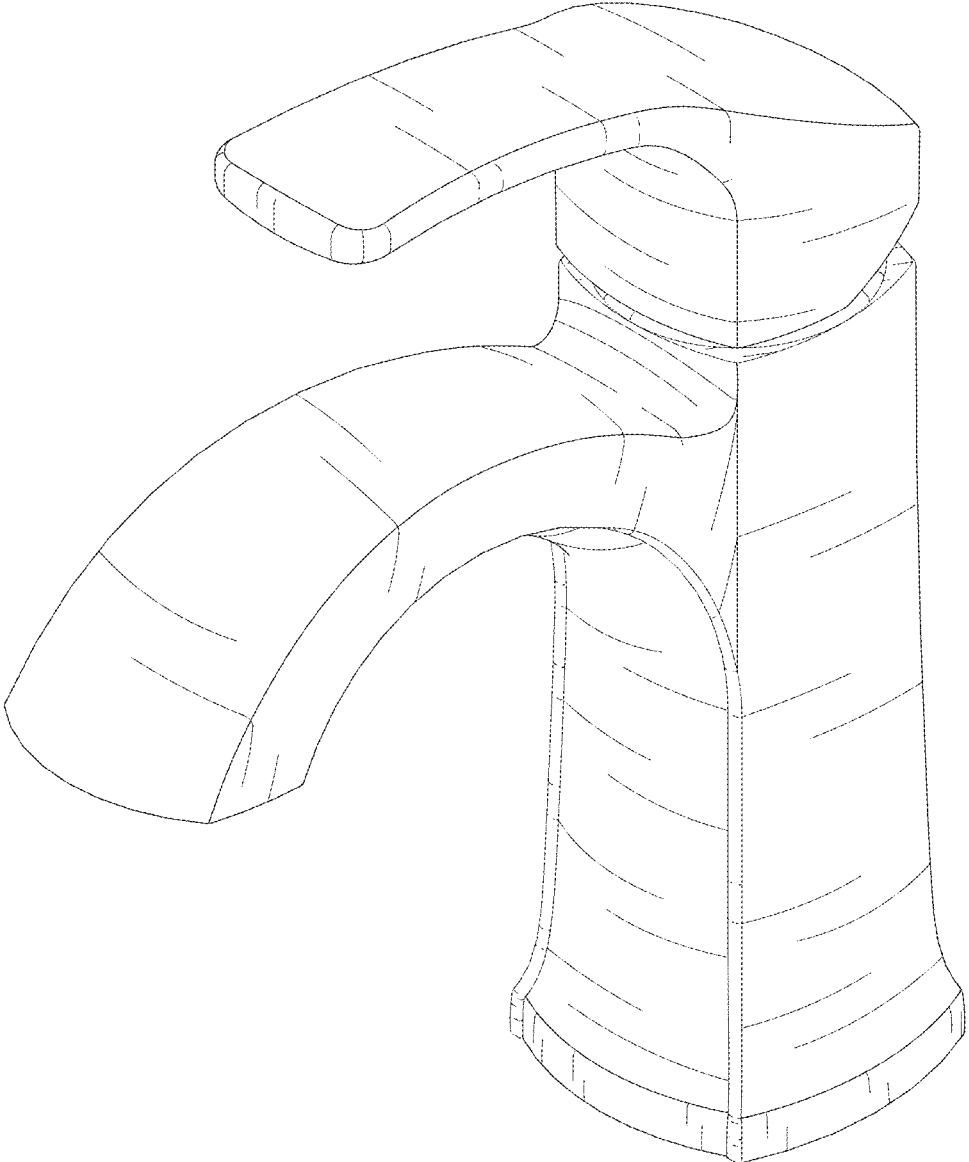
**U.S. PATENT DOCUMENTS**

8,448,667	B2	*	5/2013	Meehan	.....	E03C 1/0404 137/637.1
D713,507	S	*	9/2014	Potter	.....	D23/238
D755,930	S	*	5/2016	Flowers	.....	D23/238
D759,204	S	*	6/2016	Garland	.....	D23/238
D797,237	S	*	9/2017	Zhang	.....	D23/238
D900,969	S	*	11/2020	Takahashi	.....	D23/238
D928,918	S	*	8/2021	Lazarini	.....	D23/238
D948,671	S	*	4/2022	Kuppert	.....	D23/238
D954,190	S	*	6/2022	Kim	.....	D23/238
D954,903	S	*	6/2022	Witt	.....	D23/238
D956,181	S	*	6/2022	Witt	.....	D23/238
D970,694	S	*	11/2022	Yang	.....	D23/238
D986,383	S	*	5/2023	Tsai	.....	D23/249

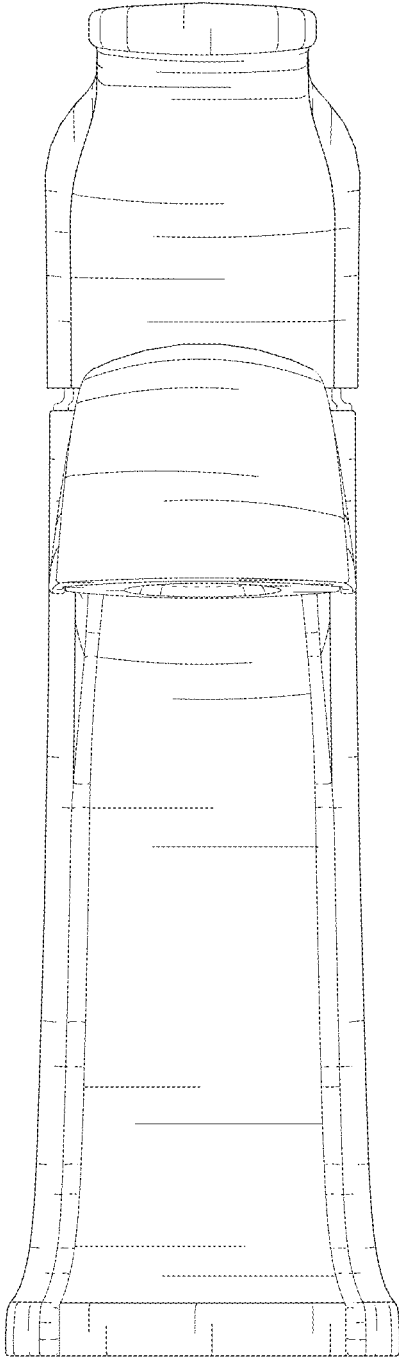
FIG. 1 is a perspective view of a faucet showing my new design;  
FIG. 2 is a front elevational view thereof;  
FIG. 3 is a rear elevational view thereof;  
FIG. 4 is a left side elevational view thereof;  
FIG. 5 is a right side elevational view thereof;  
FIG. 6 is a top plan view thereof; and,  
FIG. 7 is a bottom plan view thereof.  
The portions shown in broken lines form no part of the claimed design.

**1 Claim, 7 Drawing Sheets**

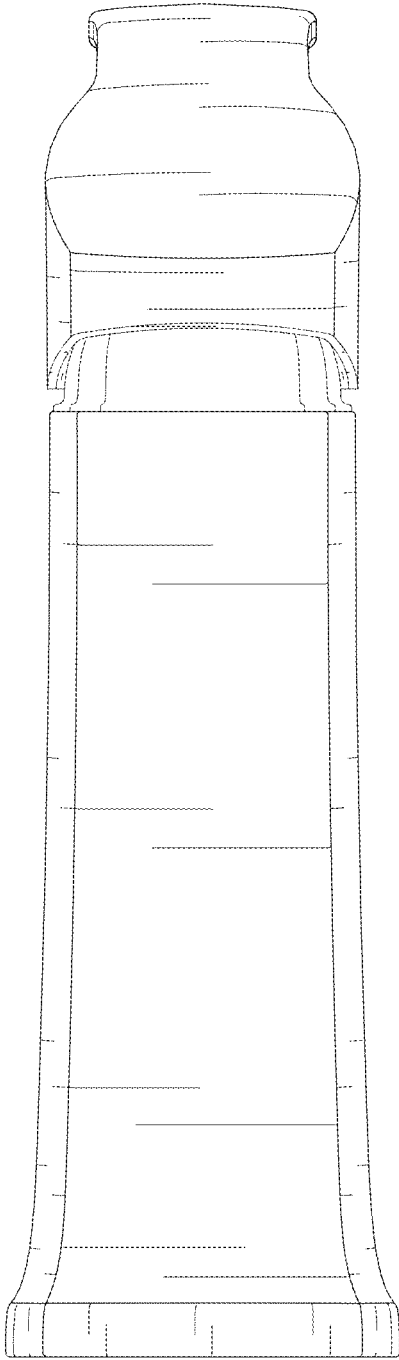




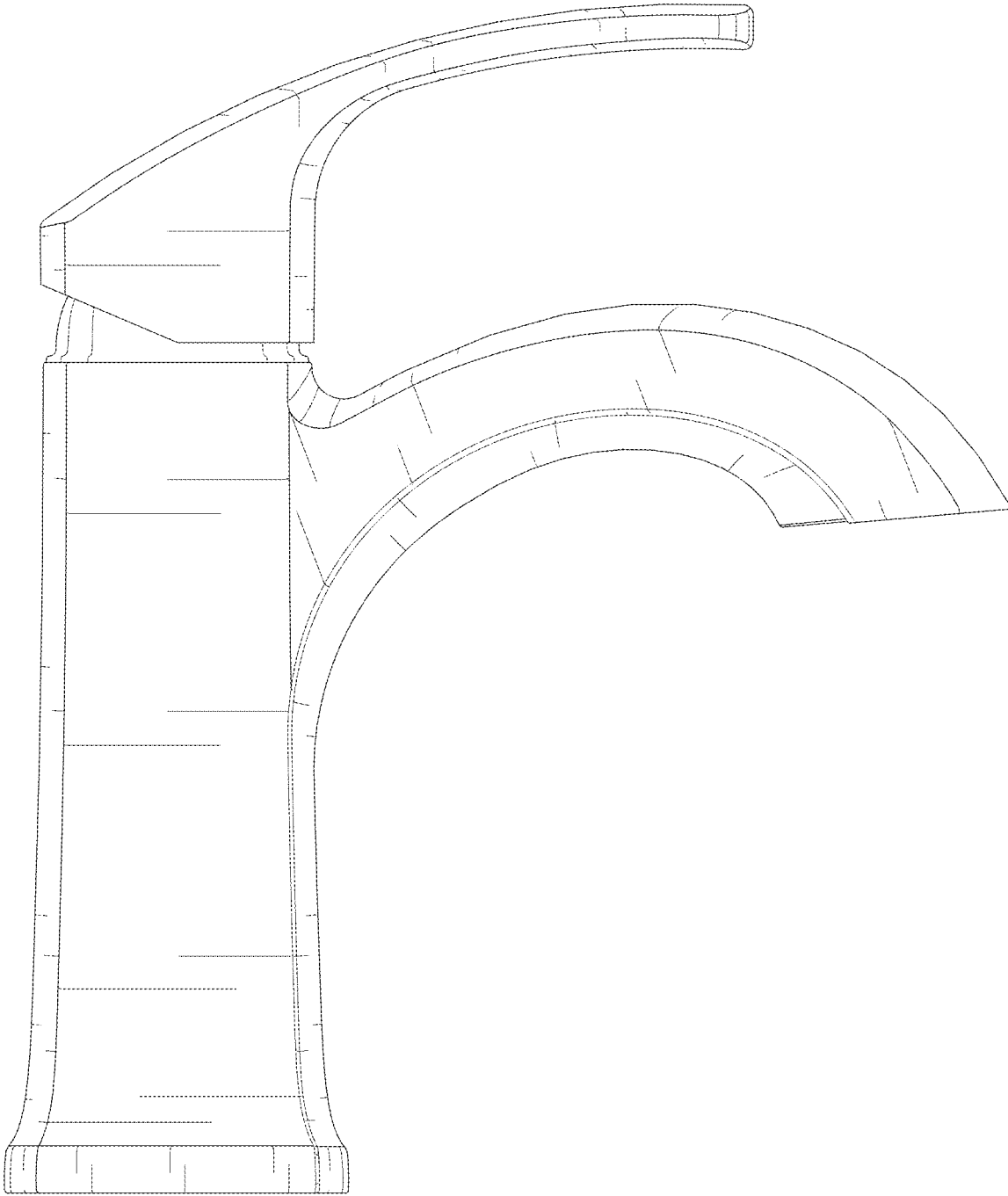
**FIG. 1**



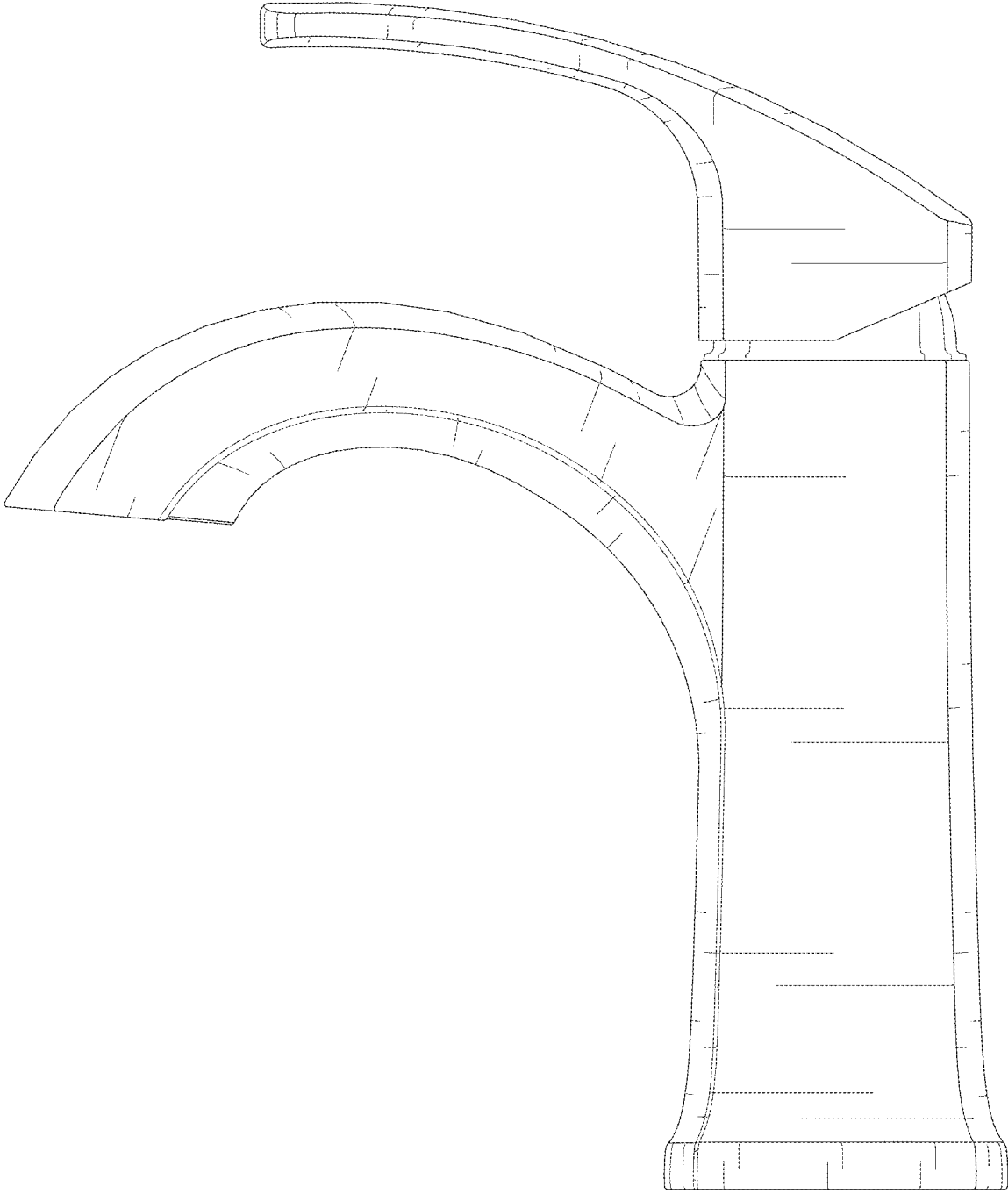
**F I G. 2**



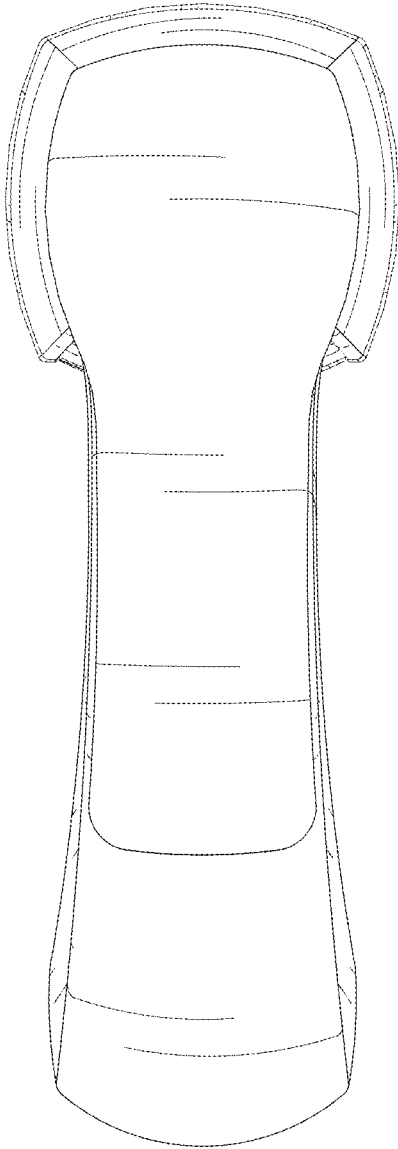
**F I G . 3**



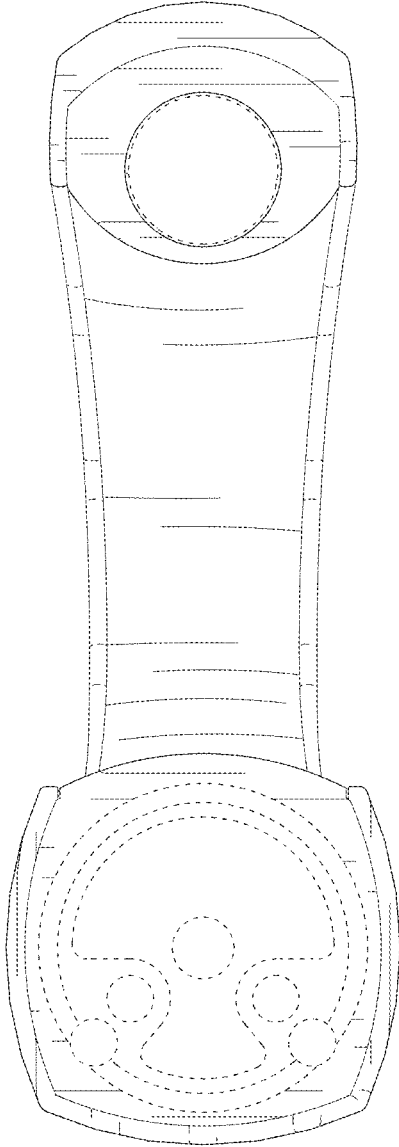
**F I G . 4**



**F I G. 5**



**F I G. 6**



**FIG. 7**