



US00D672663S

(12) **United States Design Patent**  
**Baker et al.**

(10) **Patent No.:** **US D672,663 S**

(45) **Date of Patent:** **\*\* Dec. 18, 2012**

(54) **CONTAINER**

(75) Inventors: **Gerald Baker**, Wauwatosa, WI (US);  
**Rowdy Holstine**, Hartford, WI (US);  
**Elizabeth Metzger**, Waukesha, WI (US);  
**Jianwen Hu**, Neshotah, WI (US)

(73) Assignee: **Silgan Containers LLC**, Woodland Hills, CA (US)

(\*\*) Term: **14 Years**

(21) Appl. No.: **29/385,514**

(22) Filed: **Feb. 15, 2011**

**Related U.S. Application Data**

(60) Continuation-in-part of application No. 29/335,885, filed on Apr. 23, 2009, now Pat. No. Des. 652,740, which is a continuation-in-part of application No. 29/332,323, filed on Feb. 12, 2009, now abandoned, which is a division of application No. 29/304,271, filed on Feb. 27, 2008, now Pat. No. Des. 588,018.

(51) **LOC (9) Cl.** ..... **09-02**

(52) **U.S. Cl.** ..... **D9/774**

(58) **Field of Classification Search** ..... D9/500,  
D9/502, 516, 530, 537, 539, 763-783; 215/381-385;  
220/660, 662, 675

See application file for complete search history.

(56) **References Cited**

**U.S. PATENT DOCUMENTS**

D2,820 S 11/1867 Barry  
D22,751 S 8/1893 Lanning  
D24,991 S 12/1895 Estes  
D25,941 S 8/1896 Lindgren  
566,067 A 8/1896 Duck

D28,732 S 5/1898 Cook  
D28,842 S 6/1898 Griffith  
D38,167 S 8/1906 Wintermann  
829,477 A 8/1906 Kruse  
1,013,775 A 1/1912 Hoffman  
D56,181 S 8/1920 Lewis  
D67,869 S 7/1925 Boswell

(Continued)

**FOREIGN PATENT DOCUMENTS**

FR 2584680 1/1987

(Continued)

**OTHER PUBLICATIONS**

U.S. Appl. No. 29/318,036, filed May 12, 2008, Murphy et al.

(Continued)

*Primary Examiner* — Keli L Hill

(74) *Attorney, Agent, or Firm* — Reinhart Boerner Van Deuren s.c.

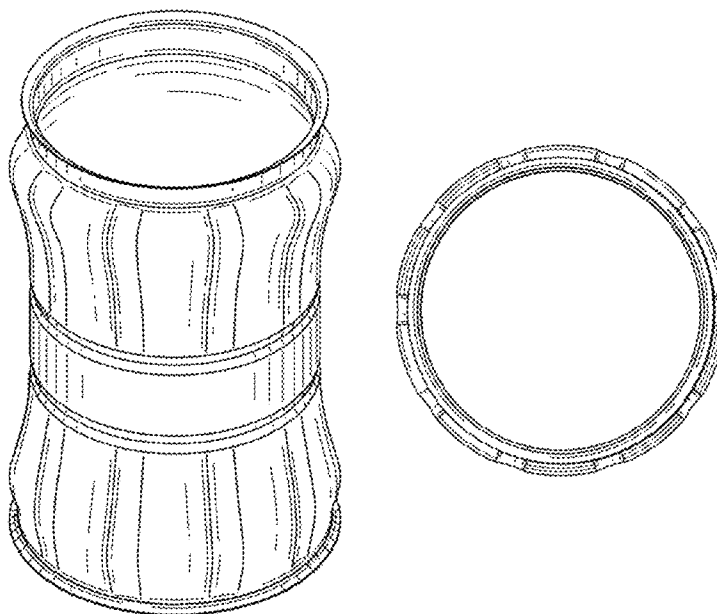
(57) **CLAIM**

The ornamental design for a container, as shown and described.

**DESCRIPTION**

FIG. 1 is a perspective view of the claimed design; FIG. 2 is a front view of the claimed design of FIG. 1, the rear view, the left side view and the right side view being the same as the front view; FIG. 3 is a top view of the claimed design of FIG. 1; and, FIG. 4 is a bottom view of the claimed design of FIG. 1. The broken lines shown are included for the purpose of illustrating the unclaimed portions of the article and form no part of the claim.

**1 Claim, 3 Drawing Sheets**



# US D672,663 S

U.S. PATENT DOCUMENTS					
D73,511	S	9/1927	Schrader	D411,106	S 6/1999 Conrad
1,832,806	A	11/1931	Dawson	D412,118	S 7/1999 Rodea
D88,258	S	* 11/1932	Rose	D412,441	S 8/1999 Cheng et al.
D98,420	S	2/1936	Deskey	D413,519	S 9/1999 Eberle et al.
D101,728	S	10/1936	Bennett	5,957,647	A 9/1999 Hinton
D120,226	S	4/1940	Lundy	D414,693	S 10/1999 Cheng et al.
D120,587	S	5/1940	Hinkins	D416,200	S 11/1999 Pavely et al.
D124,645	S	1/1941	Palmer	5,988,416	A 11/1999 Cheng et al.
D124,880	S	1/1941	Teunisz	5,988,417	A 11/1999 Cheng et al.
2,252,915	A	8/1941	Conill	D417,392	S 12/1999 Zhang
D129,604	S	9/1941	Forgue	D419,058	S 1/2000 Roth et al.
D185,649	S	7/1959	Schlumbohm	D419,444	S 1/2000 Zhang
3,297,194	A	1/1967	Schaper et al.	6,012,601	A * 1/2000 Van Dam
D207,133	S	3/1967	Stenger	D419,886	S 2/2000 Gans
3,317,110	A	5/1967	Palmer	D420,587	S 2/2000 Cheng et al.
3,349,987	A	10/1967	Weitzner	D421,393	S 3/2000 Pavely et al.
D212,525	S	10/1968	Kneapler	D421,720	S 3/2000 Eberle et al.
3,648,884	A	3/1972	Mansolino	D421,907	S 3/2000 Benge et al.
D224,516	S	8/1972	Amborg	D423,336	S 4/2000 Gray
D224,642	S	8/1972	Mascia et al.	D423,365	S 4/2000 Eberle et al.
D226,175	S	1/1973	Bystedt et al.	D425,424	S 5/2000 Cheng et al.
D226,176	S	1/1973	Bystedt et al.	6,062,409	A 5/2000 Eberle
D227,863	S	7/1973	Mascia	D426,164	S 6/2000 Gans et al.
D227,868	S	7/1973	Stanley et al.	D427,057	S 6/2000 Roth et al.
D228,229	S	8/1973	Mascia	D427,514	S 7/2000 Roth et al.
D231,087	S	4/1974	Edwards	D427,515	S 7/2000 Roth et al.
D231,773	S	6/1974	Mascia	D427,905	S 7/2000 Eberle
D234,251	S	2/1975	Edwards	6,092,688	A 7/2000 Eberle et al.
D235,184	S	5/1975	Achenbach	D429,151	S 8/2000 Cheng et al.
D237,853	S	12/1975	Katz	D429,164	S 8/2000 Peek et al.
4,010,860	A	3/1977	Garber	6,095,360	A 8/2000 Shmagin et al.
D249,111	S	8/1978	Geyer	6,123,211	A 9/2000 Rashid et al.
D252,798	S	9/1979	Vosti et al.	D431,465	S 10/2000 Cheng et al.
D286,000	S	* 10/1986	Bussell	D431,470	S 10/2000 Henderson
D288,527	S	3/1987	Maguire	D432,423	S 10/2000 Rashid
D299,426	S	1/1989	Andersson et al.	D432,424	S 10/2000 Andrew
4,804,105	A	2/1989	Zysset et al.	6,131,761	A 10/2000 Cheng et al.
D307,238	S	4/1990	May	D435,455	S 12/2000 Gans
D317,405	S	6/1991	Yasika	6,161,713	A 12/2000 Krich
5,040,698	A	8/1991	Ramsey et al.	6,164,474	A 12/2000 Cheng et al.
D319,580	S	9/1991	Cassai et al.	6,164,480	A 12/2000 Heimicke et al.
D320,153	S	9/1991	Cassai et al.	D437,229	S 2/2001 Andrew
5,052,573	A	10/1991	Zysset	D437,230	S 2/2001 Andrew
D323,290	S	1/1992	Keedy, Jr.	6,206,222	B1 3/2001 Cudzik
D345,105	S	3/1994	Ramsey	D440,498	S 4/2001 Buxton et al.
D352,898	S	11/1994	Vacher	6,213,325	B1 4/2001 Cheng et al.
D355,129	S	2/1995	Gruodis	6,220,475	B1 4/2001 Nayar et al.
D355,368	S	2/1995	Gruodis	D441,295	S 5/2001 Krich
D357,413	S	4/1995	Kornick et al.	6,230,912	B1 5/2001 Rashid
D357,414	S	4/1995	Kornick et al.	D445,339	S 7/2001 Bazlur
D365,021	S	12/1995	Park	D445,693	S 7/2001 Rashid
D367,426	S	2/1996	Ruff	D445,694	S 7/2001 Gans
D373,084	S	8/1996	Choi	D446,455	S 8/2001 McGowan
D378,572	S	3/1997	Culverwell et al.	D446,458	S 8/2001 Gans
D379,589	S	6/1997	Rhodes et al.	D447,061	S 8/2001 Peek
D381,259	S	7/1997	Hayes	6,280,679	B1 8/2001 Rashid et al.
D383,037	S	9/1997	Asberg	D447,422	S 9/2001 Peek
5,711,448	A	1/1998	Clarke, III	D447,693	S 9/2001 Warner et al.
5,720,412	A	2/1998	Ficken	D448,302	S 9/2001 Cheng et al.
D392,566	S	3/1998	Vahjen et al.	D448,303	S 9/2001 Cheng et al.
5,722,561	A	3/1998	Biondich et al.	D448,304	S 9/2001 Cheng et al.
5,749,488	A	5/1998	Bagwell et al.	6,294,131	B1 9/2001 Jaffrey
D398,531	S	9/1998	DeVries	D448,666	S 10/2001 Fields
D399,129	S	10/1998	Ramsey	D448,671	S 10/2001 Gans et al.
D399,425	S	10/1998	Ramsey	D448,672	S 10/2001 Cheng et al.
D399,428	S	10/1998	Ramsey	D448,675	S 10/2001 Thierjung
D399,429	S	10/1998	Ramsey	D448,677	S 10/2001 Krich
D399,430	S	10/1998	Ramsey	D449,539	S 10/2001 Lakatos et al.
D399,753	S	10/1998	Ramsey	D449,993	S 11/2001 Schumann
D401,152	S	11/1998	DeVore et al.	D450,244	S 11/2001 Rashid
D403,962	S	1/1999	Ramsey	6,321,927	B2 11/2001 Cavella
D403,963	S	1/1999	Ramsey	D453,003	S 1/2002 Rashid
D404,254	S	1/1999	Asberg	6,341,709	B1 1/2002 Wilson
D404,970	S	2/1999	Asberg	6,347,717	B1 2/2002 Eberle
D406,065	S	2/1999	Cheng	D454,073	S 3/2002 Crawford
D406,236	S	3/1999	Brifcani et al.	D455,656	S 4/2002 Gans et al.
D408,221	S	4/1999	Asberg	6,374,657	B1 4/2002 Kirk et al.
D409,496	S	5/1999	Ramsey	D456,712	S 5/2002 Krich
				D457,435	S 5/2002 Rashid

D464,569 S	10/2002	Moore et al.	D588,017 S	3/2009	Ziegler et al.
D465,158 S	11/2002	Peek et al.	D588,018 S	3/2009	Metzger et al.
D465,418 S	11/2002	Thierjung	D588,019 S	3/2009	Diss
D466,019 S	11/2002	Thierjung et al.	D588,020 S	3/2009	Van Scoyoc et al.
D466,021 S	11/2002	Thierjung et al.	D588,021 S	3/2009	Ziegler et al.
D466,024 S	11/2002	Thierjung et al.	D596,500 S	7/2009	Diss et al.
D466,813 S	12/2002	Thierjung et al.	D596,501 S	7/2009	Diss et al.
D466,817 S	12/2002	Thierjung et al.	D596,502 S	7/2009	Diss et al.
D469,360 S	1/2003	Moore et al.	D596,503 S	7/2009	Diss
6,575,684 B2	6/2003	Heinicke et al.	D596,504 S	7/2009	Diss
D476,889 S	7/2003	Fields	D596,505 S	7/2009	Diss et al.
D476,896 S	7/2003	Cheng et al.	D596,955 S	7/2009	Diss et al.
6,585,125 B1	7/2003	Peek	D596,956 S	7/2009	Diss et al.
D478,286 S	8/2003	Futral et al.	D596,957 S	7/2009	Diss
D478,287 S	8/2003	Corker et al.	D596,958 S	7/2009	Diss et al.
D479,999 S	9/2003	Moore	D606,402 S	12/2009	Diss
D480,650 S	10/2003	Moore et al.	D606,403 S	12/2009	Diss
D480,956 S	10/2003	Mooney et al.	D606,404 S	12/2009	Diss
D480,957 S	10/2003	Mooney et al.	D606,405 S	12/2009	Takata et al.
D481,317 S	10/2003	Corker et al.	D606,406 S	12/2009	Takata et al.
D484,808 S	1/2004	Thierjung et al.	D607,329 S	1/2010	Diss
D485,182 S	1/2004	Gaydon	D607,727 S	1/2010	Takata et al.
6,685,417 B2	2/2004	Heinicke et al.	D611,838 S	3/2010	Metzger et al.
D489,983 S	5/2004	Futral et al.	D612,732 S	3/2010	Takata et al.
D489,984 S	5/2004	Futral et al.	D613,617 S	4/2010	Metzger et al.
D491,288 S	6/2004	Young	D614,049 S	4/2010	Diss et al.
D493,370 S	7/2004	Kaminen et al.	D614,508 S	4/2010	Hu
D494,475 S	8/2004	Thierjung et al.	D614,971 S	5/2010	Millspaw et al.
6,769,561 B2	8/2004	Futral et al.	D615,877 S *	5/2010	Hu ..... D9/774
D498,143 S	11/2004	Rashid	D620,377 S	7/2010	Diss
6,877,607 B2	4/2005	Jenkins	7,748,551 B2	7/2010	Gatewood et al.
6,889,862 B2	5/2005	Vaughan	D626,015 S	10/2010	Diss et al.
D507,485 S	7/2005	Fields	7,812,292 B2	10/2010	Richardson et al.
D510,024 S	9/2005	Jacobson et al.	D631,759 S	2/2011	Diss et al.
D511,458 S	11/2005	Dunwoody et al.	D632,187 S *	2/2011	Diss et al. .... D9/774
D512,917 S	12/2005	Frisch et al.	D632,190 S *	2/2011	Diss et al. .... D9/774
D514,937 S *	2/2006	Chang ..... D9/776	D638,311 S *	5/2011	Diss ..... D9/776
D517,417 S	3/2006	Livingston et al.	D652,740 S *	1/2012	Metzger et al. .... D9/774
D522,371 S	6/2006	Livingston	D653,124 S *	1/2012	Diss ..... D9/776
D523,341 S	6/2006	Livingston et al.	D661,203 S *	6/2012	Murphy ..... D9/774
D523,347 S	6/2006	Livingston	D661,204 S *	6/2012	Murphy ..... D9/774
D524,160 S *	7/2006	Endou et al. .... D9/518	D663,622 S *	7/2012	Diss et al. .... D9/516
D525,129 S	7/2006	Hutter et al.	2001/0009107 A1	7/2001	Cheng et al.
D525,139 S	7/2006	Livingston et al.	2001/0009244 A1	7/2001	Cheng et al.
D525,530 S	7/2006	Livingston et al.	2006/0131257 A1	6/2006	Gatewood et al.
7,108,469 B2	9/2006	Jenkins	2007/0012648 A1	1/2007	Gatewood
7,112,771 B2	9/2006	Richardson et al.	2007/0068943 A1	3/2007	Ramsey et al.
D530,614 S	10/2006	Gatewood	2007/0102425 A1	5/2007	Richardson et al.
D532,306 S	11/2006	MacLeod et al.	2007/0108197 A1	5/2007	Richardson et al.
7,134,565 B1	11/2006	Wan et al.	2007/0108198 A1	5/2007	Richardson et al.
D533,783 S	12/2006	Kliger et al.	2009/0212004 A1	8/2009	Metzger et al.
D534,079 S	12/2006	Livingston	2009/0218349 A1	9/2009	Metzger et al.
D534,428 S	1/2007	Reed et al.			
D536,262 S	2/2007	Ioannides et al.			
D536,263 S	2/2007	Ioannides et al.			
D536,264 S	2/2007	Ioannides et al.			
D538,645 S	3/2007	McDowell et al.			
D538,646 S	3/2007	McDowell et al.			
D538,660 S	3/2007	Gatewood			
7,198,168 B2	4/2007	Mizuma			
D542,130 S	5/2007	McDowell et al.			
D542,650 S	5/2007	McDowell et al.			
D543,845 S	6/2007	Ioannides et al.			
D546,183 S	7/2007	Clutter			
7,243,808 B2	7/2007	Livingston et al.			
D548,111 S	8/2007	Ioannides et al.			
D549,596 S	8/2007	Ioannides et al.			
D559,120 S	1/2008	Farrow et al.			
D559,121 S	1/2008	Farrow et al.			
D562,685 S	2/2008	Millspaw et al.			
7,344,041 B2	3/2008	Heinicke et al.			
D588,016 S	3/2009	Ziegler			

FOREIGN PATENT DOCUMENTS

WO DM/046294 10/1998  
 WO DM/051799 3/2000

OTHER PUBLICATIONS

“The Revolutionary Stretching Technology” brochure, believed to be available by 2001 at [www.canstretch.com](http://www.canstretch.com), 1 page.  
 “Stretch Machine” brochure, believed to be available by 2001 at [www.canstretch.com](http://www.canstretch.com), 1 page.  
 Photograph of Six Cans, believed to be available by 2001 at [www.canstretch.com](http://www.canstretch.com), 1 page.  
 Soudronic Image believed to be available by Apr. 24, 2007, 1 page.  
 Photograph of Can developed by Assignee at least by Aug. 4, 2008, 1 page.  
 Engineering Drawing of Cans developed by Assignee at least by Jul. 12, 2006, 1 page.

\* cited by examiner

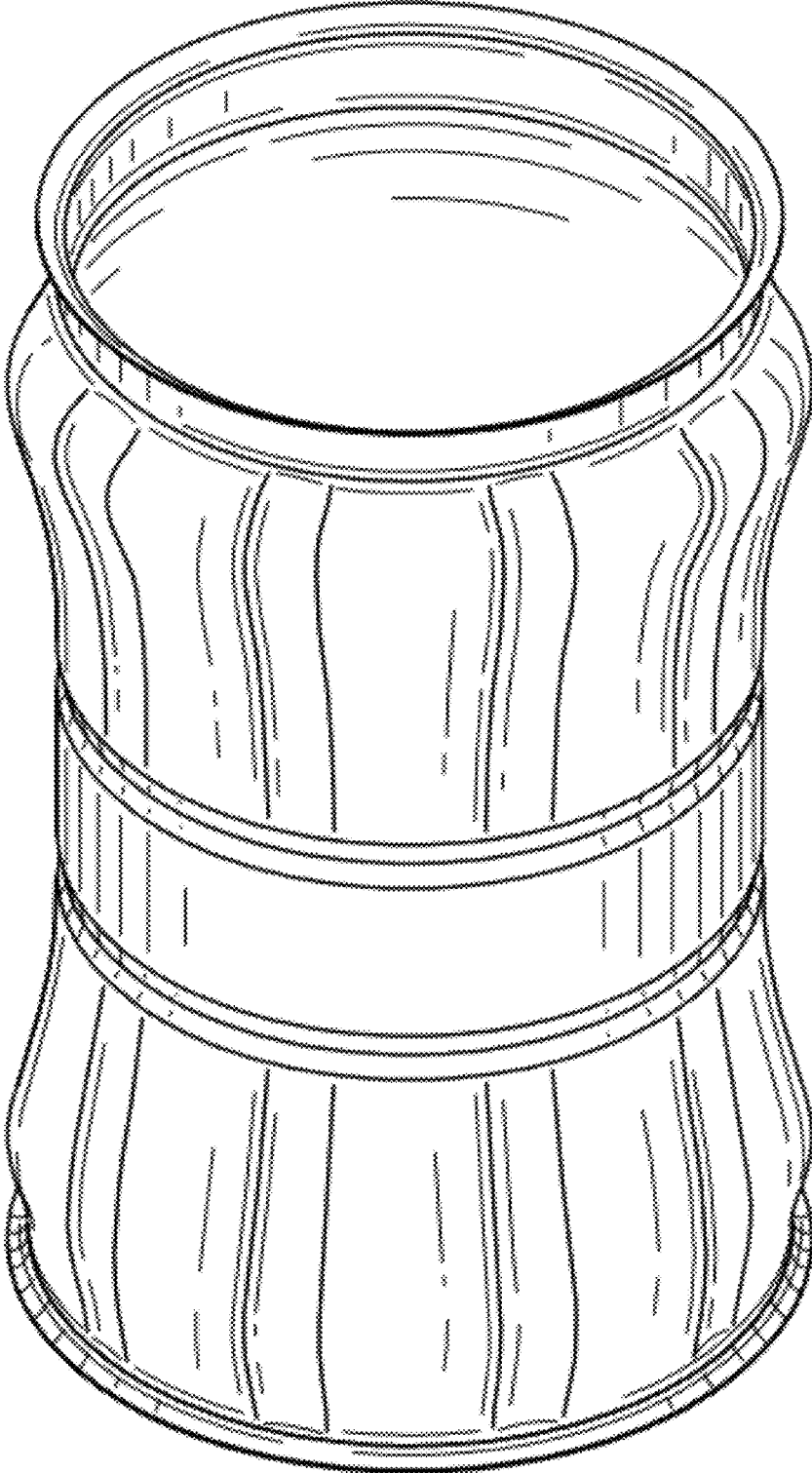


FIG. 1

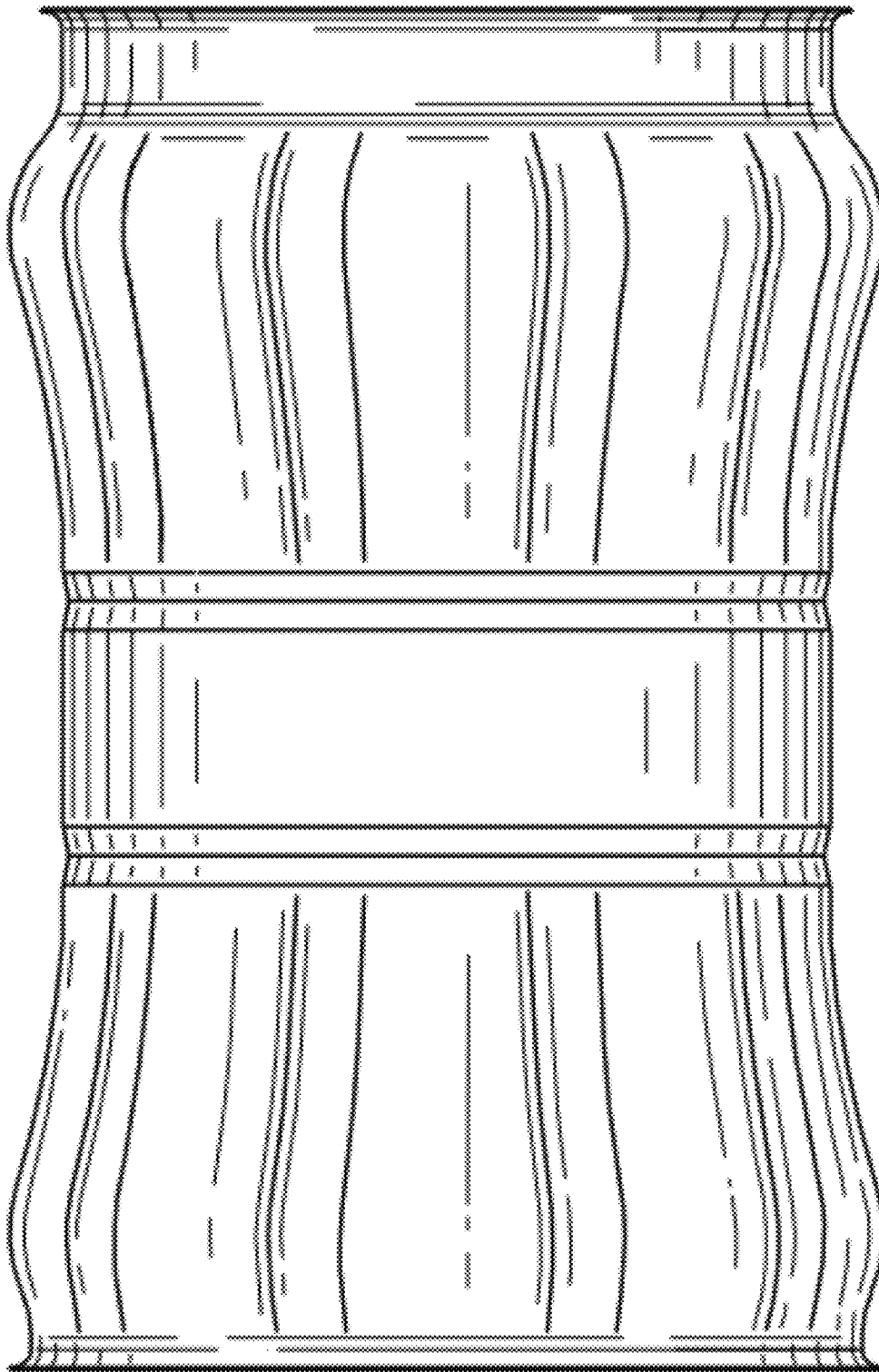


FIG. 2

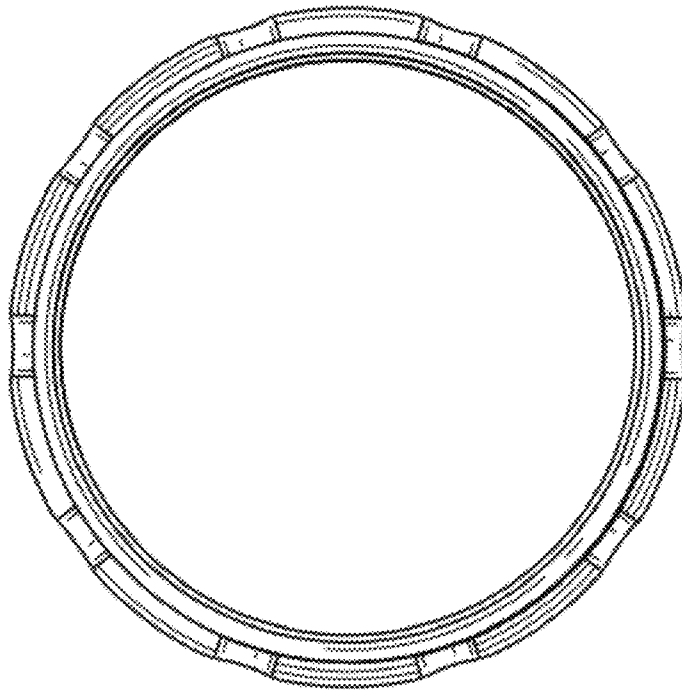


FIG. 3

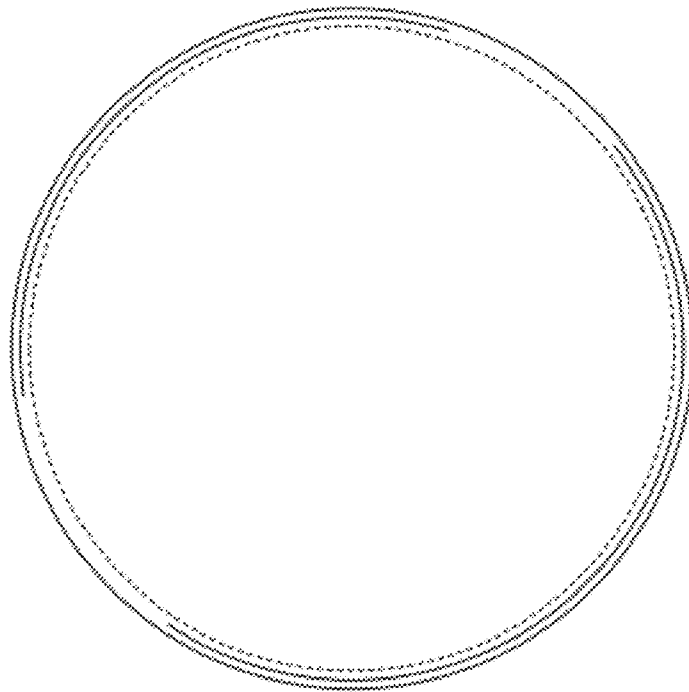


FIG. 4