



(12) **United States Design Patent**
Keizers

(10) **Patent No.:** **US D849,210 S**
(45) **Date of Patent:** **** May 21, 2019**

(54) **SHOWER DRAIN**

(71) Applicant: **Keizerskroon Beheer B.V.**, Oldenzaal (NL)

(72) Inventor: **Jurgen Hendrik Peter Jozeph Keizers**, Losser (NL)

(73) Assignee: **Keizerskroon Beheer BV**, Oldenzaal (NL)

(**) Term: **15 Years**

(21) Appl. No.: **29/660,405**

(22) Filed: **Aug. 21, 2018**

Related U.S. Application Data

(62) Division of application No. 29/614,395, filed on Aug. 18, 2017.

Foreign Application Priority Data

Feb. 23, 2017	(EM)	003763473-0001
Feb. 23, 2017	(EM)	003763473-0002
Feb. 23, 2017	(EM)	003763473-0003
Feb. 23, 2017	(EM)	003763473-0004
Feb. 23, 2017	(EM)	003763473-0005
Feb. 23, 2017	(EM)	003763473-0006
Feb. 23, 2017	(EM)	003763473-0007
Feb. 23, 2017	(EM)	003763473-0008
Feb. 23, 2017	(EM)	003763473-0009
Feb. 23, 2017	(EM)	003763473-0010
Feb. 23, 2017	(EM)	003763473-0011
Feb. 23, 2017	(EM)	003763473-0012

(Continued)

(51) **LOC (11) Cl.** **23-01**

(52) **U.S. Cl.**
USPC **D23/261**

(58) **Field of Classification Search**

USPC D23/259-261, 267-268, 388, 397, 400;
404/2-4; 210/163-164, 166;
(Continued)

(56) **References Cited**

U.S. PATENT DOCUMENTS

D246,251 S 11/1977 Hirsch et al.
D497,977 S 11/2004 Engelbrektsson
(Continued)

Primary Examiner — Eric L Goodman

Assistant Examiner — Amy C Wierenga

(74) *Attorney, Agent, or Firm* — Woodard, Emhardt, Henry, Reeves & Wagner, LLP

(57) **CLAIM**

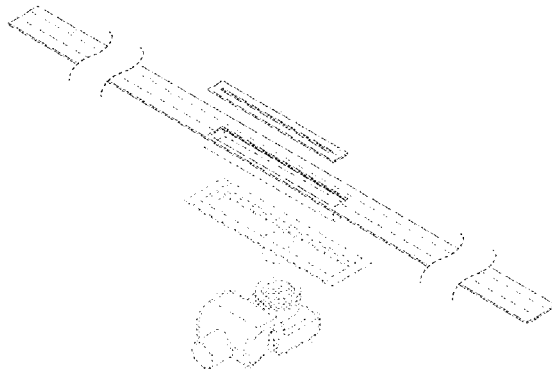
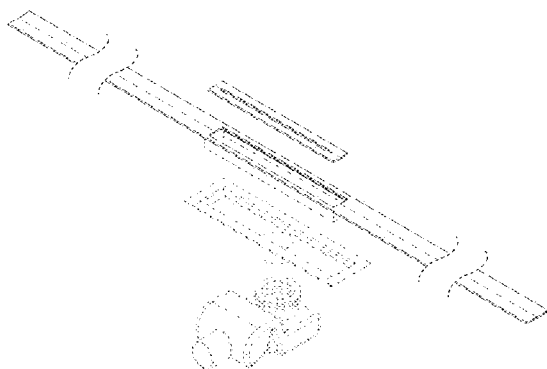
The ornamental design for a shower drain, as shown and described.

DESCRIPTION

FIG. 1 is an exploded, perspective view of a first embodiment of a shower drain;
FIG. 2 is a top view of the shower drain of FIG. 1;
FIG. 3 is an exploded, perspective view of a second embodiment of a shower drain;
FIG. 4 is a top view of the shower drain of FIG. 3;
FIG. 5 is an exploded, perspective view of a third embodiment of a shower drain;
FIG. 6 is a top view of the shower drain of FIG. 5;
FIG. 7 is an exploded, perspective view of a fourth embodiment of a shower drain; and,
FIG. 8 is a top view of the shower drain of FIG. 7.

The dashed broken lines in the drawings illustrate portions of the shower drain and environmental subject matter that form no part of the claim. The shower drain is shown with symbolic breaks in its length. The appearance of any portion of the shower drain between the break lines forms no part of the claim.

1 Claim, 8 Drawing Sheets



(30)	Foreign Application Priority Data		8,475,079 B2 *	7/2013	Humphries	E03F 3/046 249/11
	Feb. 23, 2017 (EM)	003763473-0013	8,505,131 B2 *	8/2013	Doolittle	E03F 5/0408 4/613
	Feb. 23, 2017 (EM)	003763473-0014	8,850,633 B2 *	10/2014	Erlebach	A47K 3/40 4/679
	Feb. 23, 2017 (EM)	003763473-0015				
	Feb. 23, 2017 (EM)	003763473-0016	D742,483 S	11/2015	Chapman et al.	
	Feb. 23, 2017 (EM)	003763473-0017	D754,305 S	4/2016	Papadatos	
	Feb. 23, 2017 (EM)	003763473-0018	9,334,638 B1 *	5/2016	Kirby	A47K 3/40
	Feb. 23, 2017 (EM)	003763473-0019	9,382,701 B2 *	7/2016	Meyers	E03C 1/22
	Feb. 23, 2017 (EM)	003763473-0020	9,611,634 B2	4/2017	Erlebach	
	Feb. 23, 2017 (EM)	003763473-0021	D785,766 S	5/2017	Sato	
	Feb. 23, 2017 (EM)	003763473-0022	D787,646 S	5/2017	Davis et al.	
	Feb. 23, 2017 (EM)	003763473-0022	D792,954 S *	7/2017	Sander	D23/304
	Feb. 23, 2017 (EM)	003763473-0023	D809,635 S *	2/2018	Licini	D23/304
			D829,306 S	9/2018	Ikedo et al.	
(58)	Field of Classification Search		2007/0017578 A1	1/2007	Dallmer	
	USPC 454/275-277, 284, 289, 291; 4/287, 613,		2007/0274781 A1	11/2007	Aubusson et al.	
	4/679, 680-684, 689-694, 671-673		2008/0104910 A1	5/2008	Andras et al.	
	CPC E03C 1/12; E03C 1/20; E03C 1/23; E03C		2009/0119831 A1	5/2009	Grave et al.	
	1/26; E03C 1/262; E03C 1/284; E03C		2010/0162481 A1	7/2010	Erlebach	
	1/2302; E03C 1/2306; E03C 1/2001;		2010/0176041 A1	7/2010	Schlueter	
	E03C 1/2413; E03F 5/0408; E03F 5/06;		2011/0061161 A1	3/2011	Erlebach	
	E03F 5/0407; E03F 5/052; A47K 3/405;		2011/0067175 A1 *	3/2011	Steylaerts	E03F 5/0408 4/679
	A47K 3/40		2011/0162137 A1	7/2011	Kik, Sr. et al.	
	See application file for complete search history.		2011/0203979 A1 *	8/2011	Schlueter	E03F 5/04 210/164
(56)	References Cited		2013/0174921 A1	7/2013	Schluter	
	U.S. PATENT DOCUMENTS		2013/0326806 A1 *	12/2013	Stonecipher	E03F 5/06 4/613
	D585,940 S	2/2009 Lin	2014/0157514 A1	6/2014	Cook	
	D657,858 S	4/2012 Howson	2016/0073831 A1	3/2016	Wedi	
	8,239,974 B2 *	8/2012 Erlebach	2016/0130794 A1 *	5/2016	Erlebach	E03F 5/0408 4/613
	8,474,068 B2 *	7/2013 Kik, Sr.	2017/0241124 A1 *	8/2017	Erlebach	A47K 3/40
		E03F 3/046	2018/0038091 A1	2/2018	Ismert et al.	
		4/613	2018/0279840 A1	10/2018	Ruiz Perez et al.	
	8,474,069 B1 *	7/2013 Whiting				
		E03F 5/0408				
		4/613				

* cited by examiner

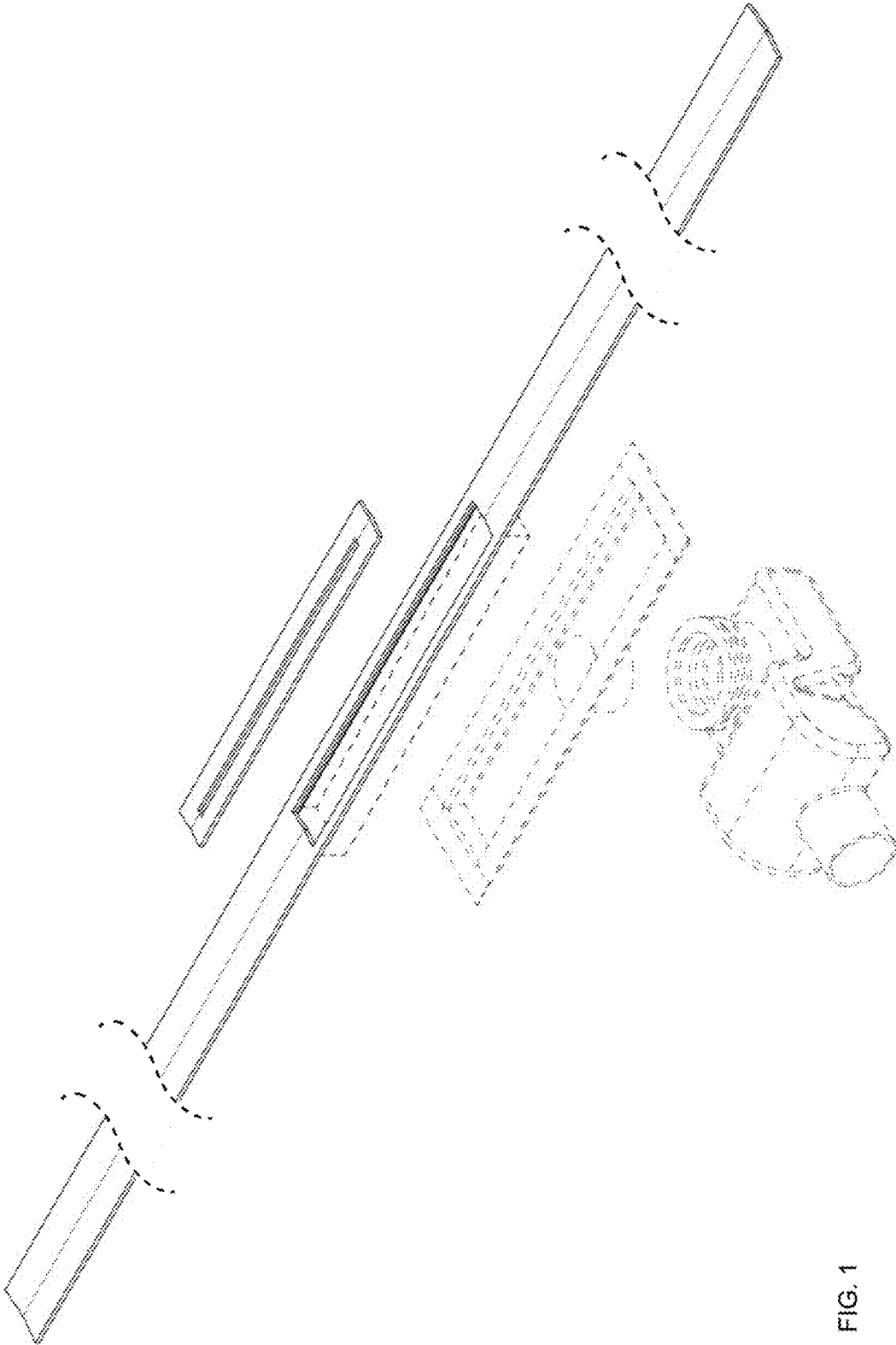


FIG. 1

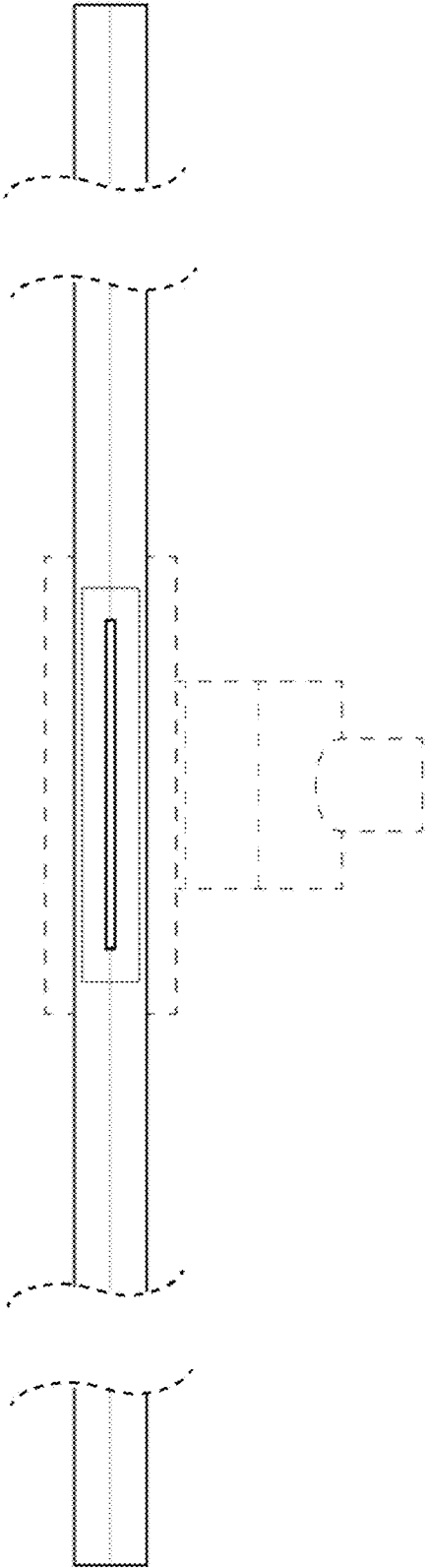


FIG. 2

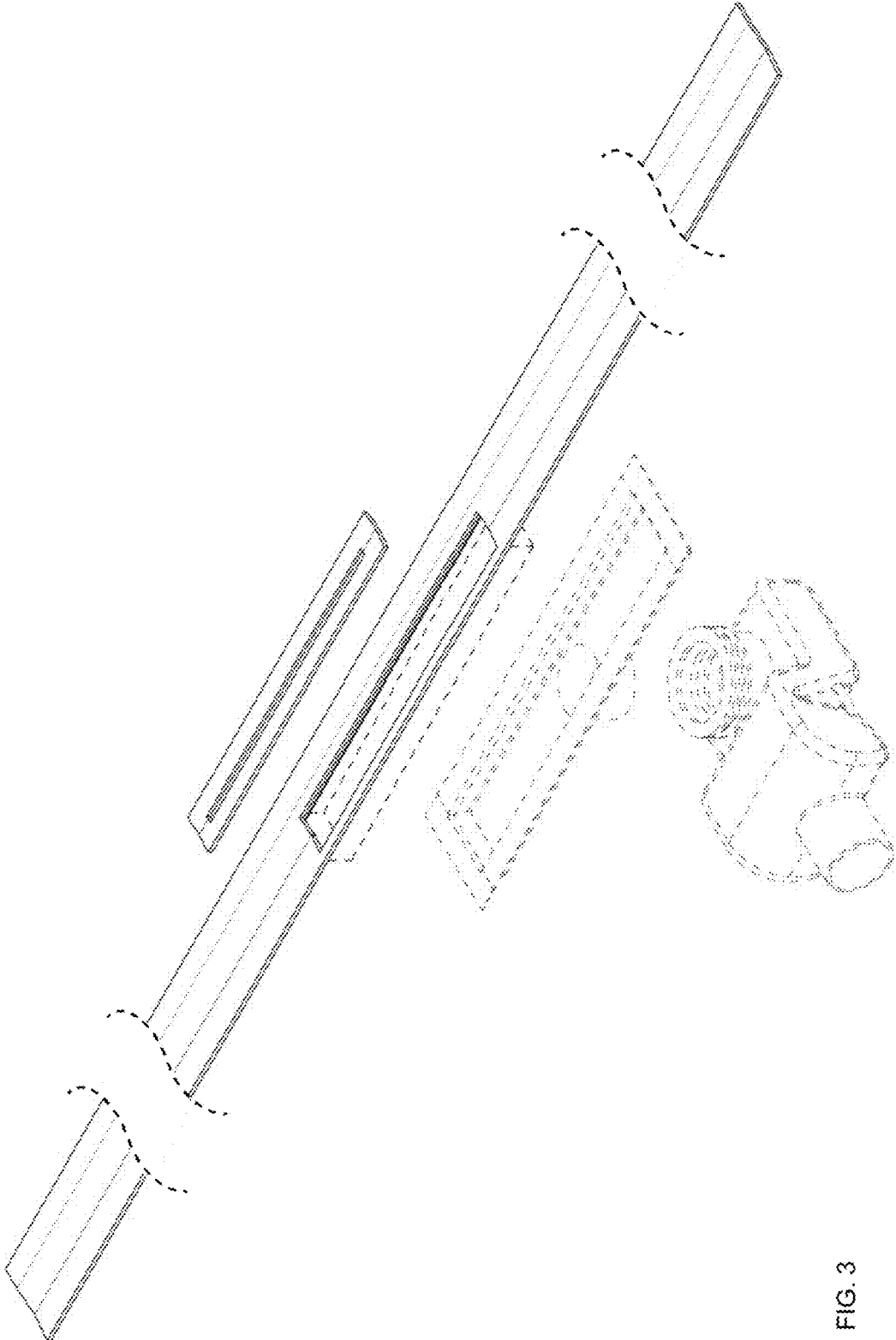


FIG. 3

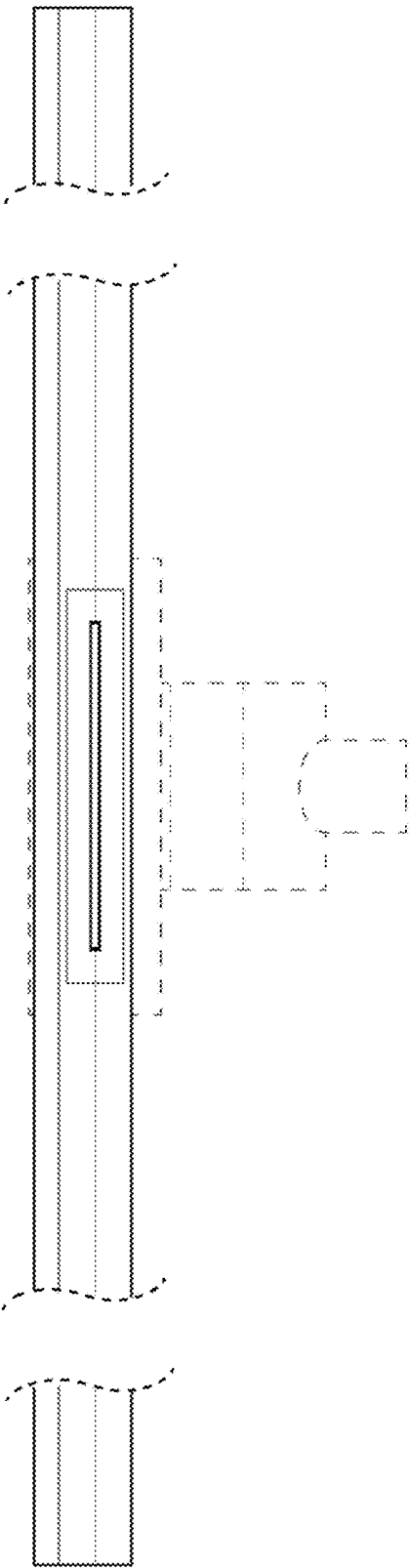


FIG. 4

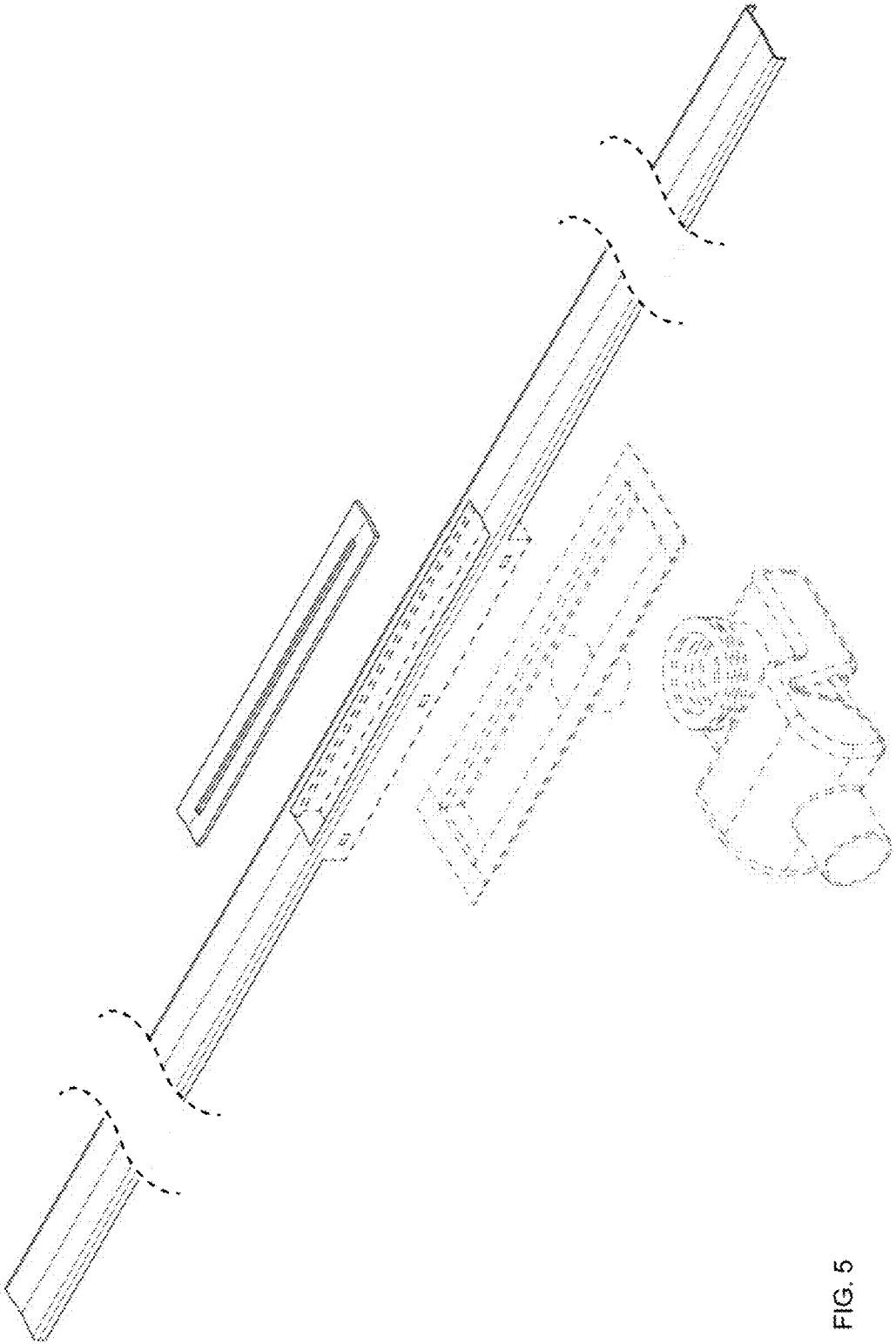


FIG. 5

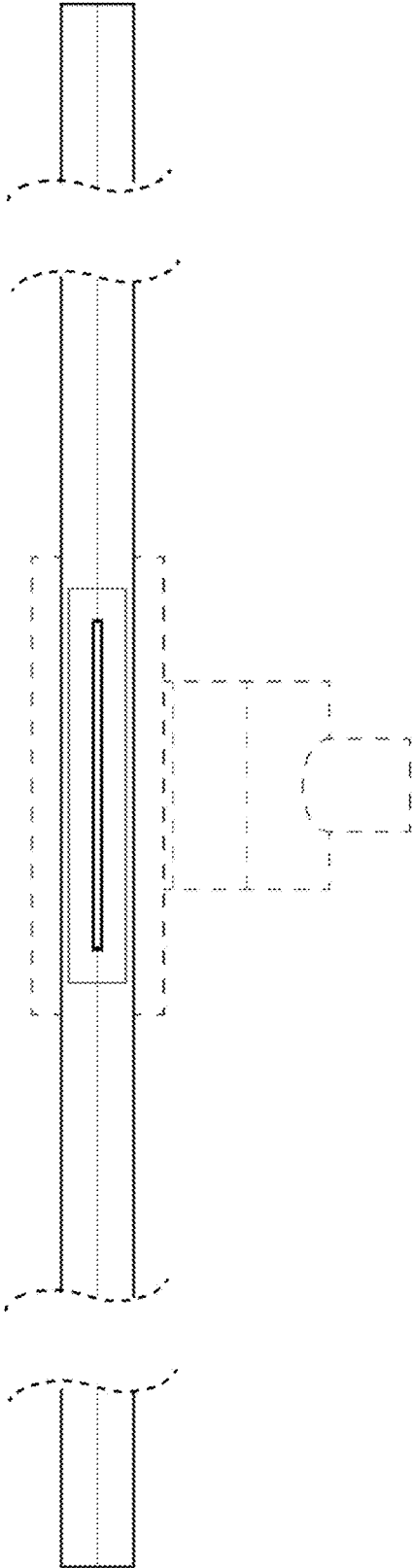


FIG. 6

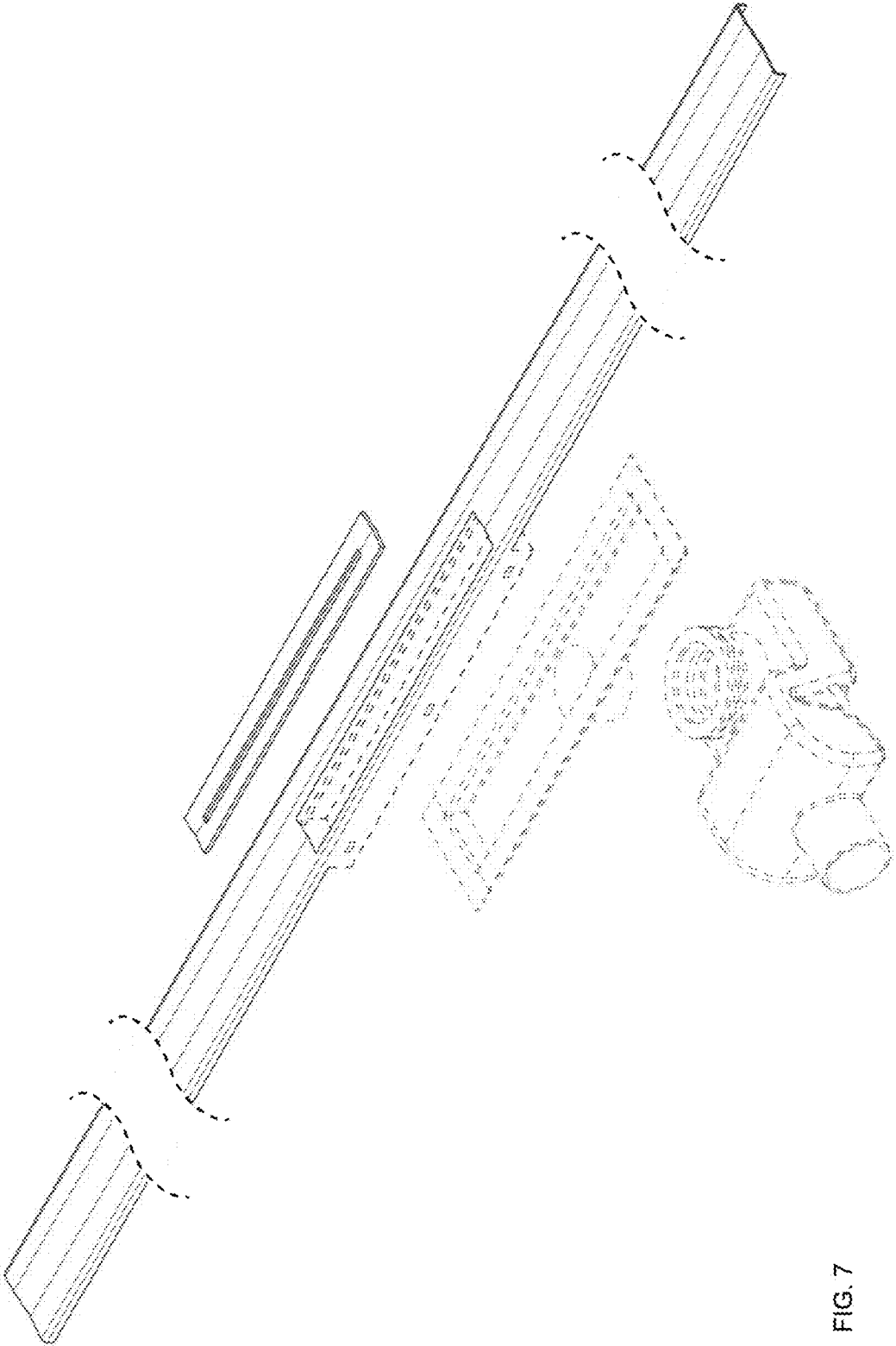


FIG. 7

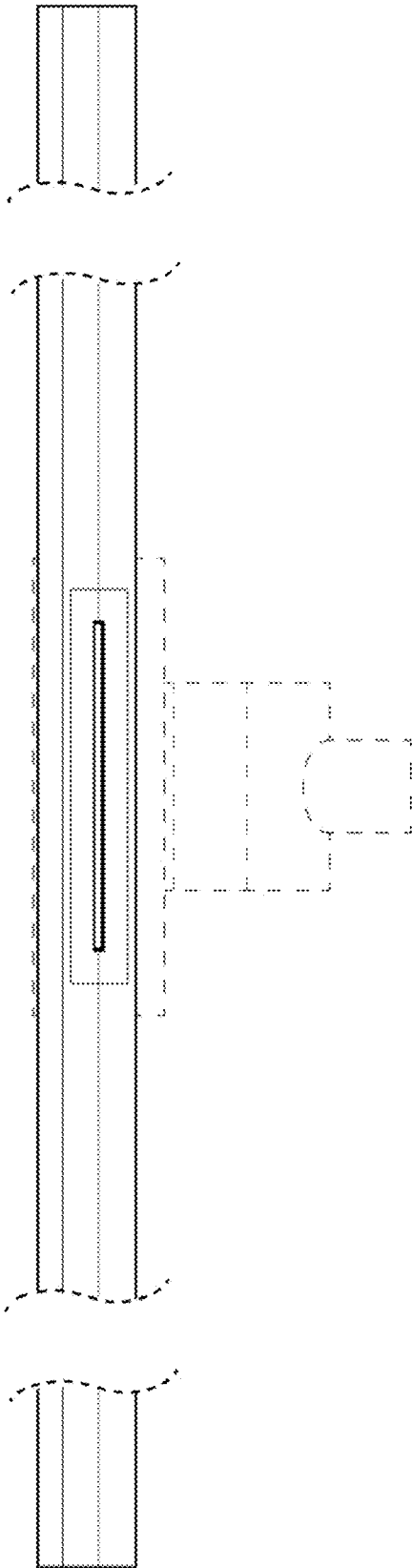


FIG. 8