



US00D736652S

(12) **United States Design Patent**
Isaacs et al.

(10) **Patent No.:** **US D736,652 S**

(45) **Date of Patent:** **** Aug. 18, 2015**

(54) **WRIST-WORN DISPLAY**

(71) Applicant: **Motorola Mobility LLC**, Libertyville, IL (US)

(72) Inventors: **Dickson Isaacs**, Chicago, IL (US); **Daniel T Berg**, Antioch, IL (US); **Chad E Davis**, Chicago, IL (US); **Steve C Emmert**, McHenry, IL (US); **Thomas E Gitzinger**, Libertyville, IL (US); **Scott A Puckett**, Chicago, IL (US); **Lei Xia**, Beijing (CN)

(73) Assignee: **Motorola Mobility LLC**, Chicago, IL (US)

(**) Term: **14 Years**

(21) Appl. No.: **29/446,330**

(22) Filed: **Feb. 22, 2013**

(51) **LOC (10) Cl.** **10-02**

(52) **U.S. Cl.**
USPC **D10/32**; D14/138 R; D14/344

(58) **Field of Classification Search**
USPC D10/30-39; D11/3; 368/276, 281, 282; D14/344, 138 R
CPC G04B 37/0008; G04B 37/0058; G04B 37/00; G04G 17/00; G04G 17/08; G04G 9/00; G04G 9/0017; G04G 9/107; G04C 3/00; G04C 3/002
See application file for complete search history.

(56) **References Cited**

U.S. PATENT DOCUMENTS

3,800,525	A	*	4/1974	Bergey	368/69
4,101,071	A	*	7/1978	Brejnjk et al.	377/49
D265,062	S	*	6/1982	Hirabayashi	D10/38
D266,230	S	*	9/1982	Tsukahara	D10/38
D266,831	S	*	11/1982	Iida	D10/38

D297,416	S	*	8/1988	Saito	D10/32
D361,042	S	*	8/1995	Nanayakkara	D10/31
D366,036	S	*	1/1996	Houlihan	D14/344
D528,928	S	*	9/2006	Burton	D10/38
D545,220	S	*	6/2007	Leung	D10/31
D584,170	S	*	1/2009	Morrison	D10/32
D589,375	S	*	3/2009	Tang	D10/32
D594,764	S	*	6/2009	Ahlstrom	D10/32
D637,918	S	*	5/2011	Cobbett et al.	D10/31
D645,360	S	*	9/2011	Kiser et al.	D10/32
D719,123	S	*	12/2014	Park et al.	D14/138 R
2008/0049560	A1	*	2/2008	Clarkson et al.	368/281
2009/0156255	A1	*	6/2009	Shin et al.	455/558
2014/0172983	A1	*	6/2014	Imamura	709/204

OTHER PUBLICATIONS

Nike, "Nike Sport Watch", http://store.nike.com/us/en_us/?I=shop, Nov. 1, 2012, 14 pages.

(Continued)

Primary Examiner — Martie K Holtje

(74) *Attorney, Agent, or Firm* — Gary J. Cunningham

(57) **CLAIM**

The ornamental design for a wrist-worn display, as shown and described.

DESCRIPTION

FIG. 1 is a front perspective view of a wrist-worn display showing our new design;

FIG. 2 is a rear perspective view thereof;

FIG. 3 is a rear view thereof;

FIG. 4 is a front view thereof;

FIG. 5 is a first side view thereof;

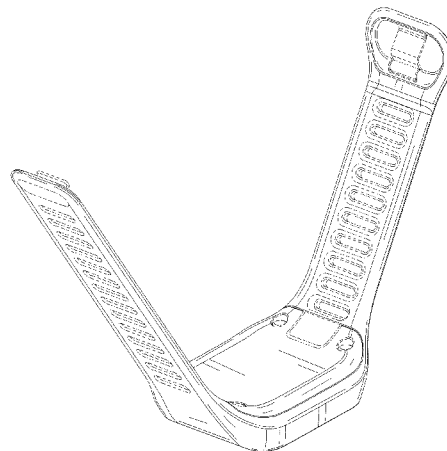
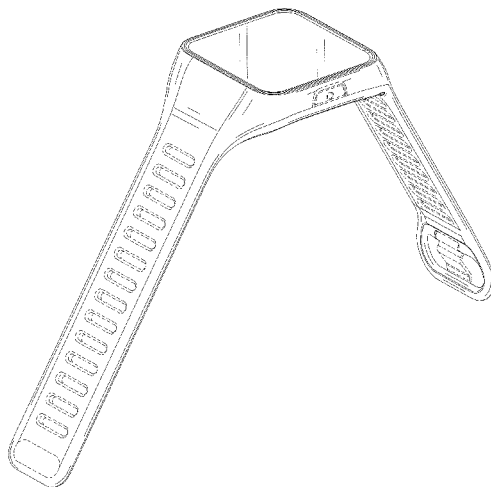
FIG. 6 is a second side view thereof;

FIG. 7 is a top view thereof; and,

FIG. 8 is a bottom view thereof.

The structural features depicted by broken lines have been shown for the purpose of illustrating portions of the wrist-worn display that form no part of the claimed design.

1 Claim, 6 Drawing Sheets



(56)

References Cited

OTHER PUBLICATIONS

Puma, "Faas 300", <http://www.puma.com/time/news/faas-300>, Nov. 1, 2012, 11 pages.

Agriculture, "Multi color Sport Silicone Wrist Squire LED Touch Screen Watches for Men/Lady", Nov. 1, 2012, 2 pages.

* cited by examiner

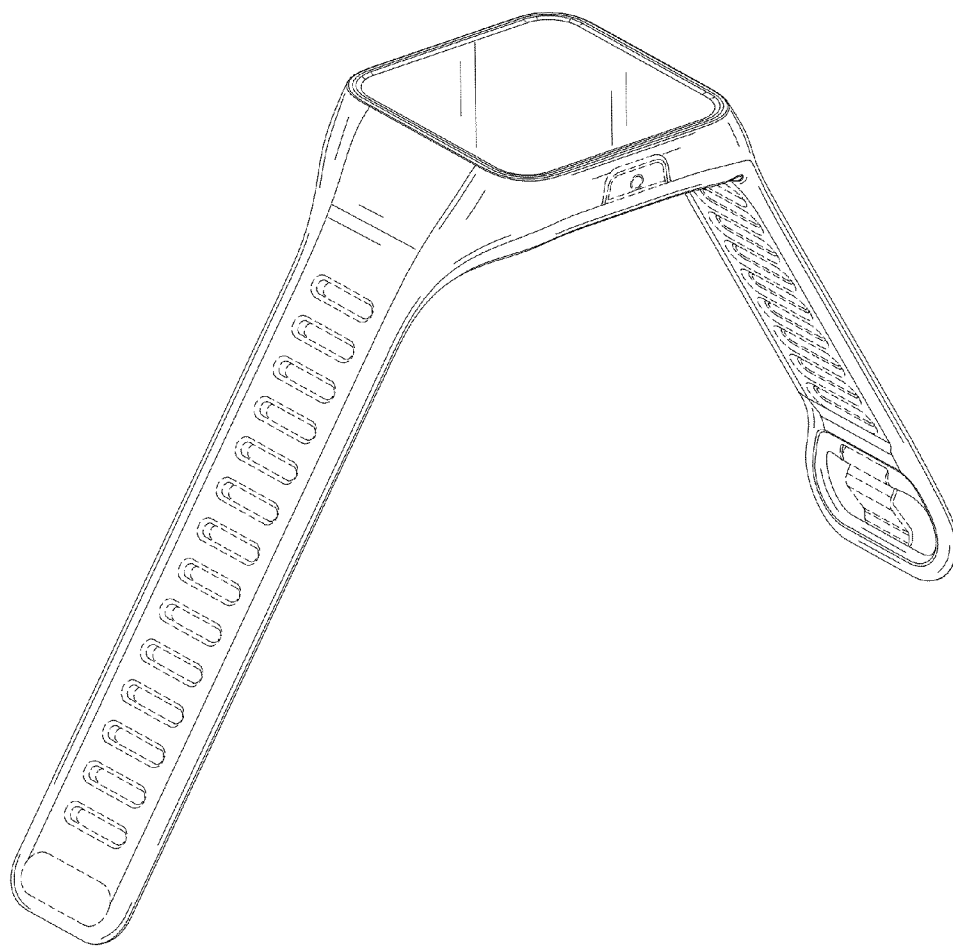


FIG. 1

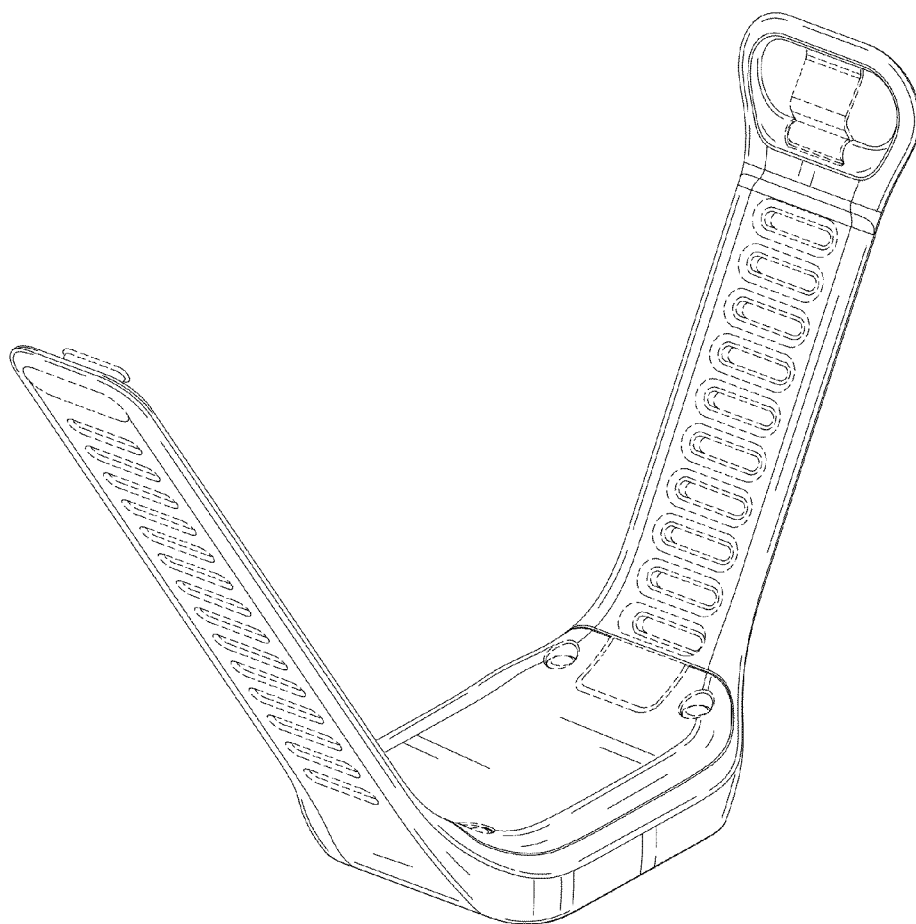


FIG. 2

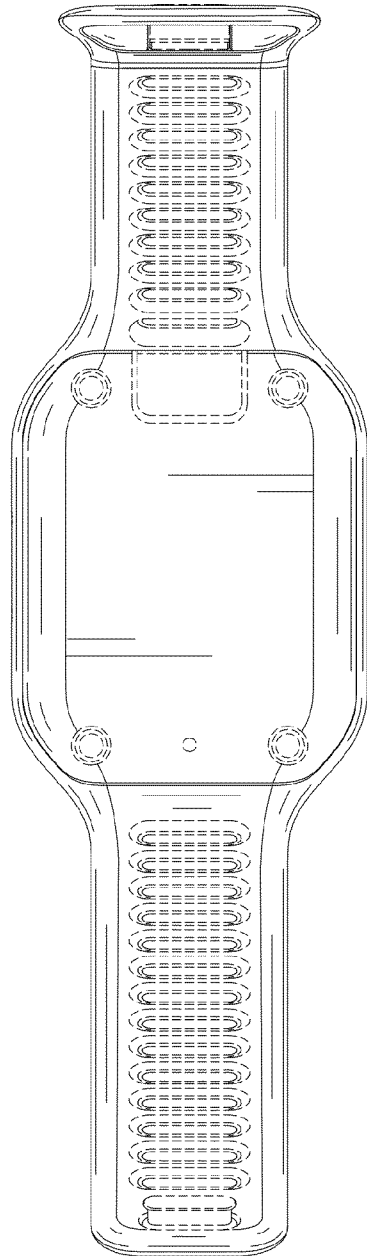


FIG. 3

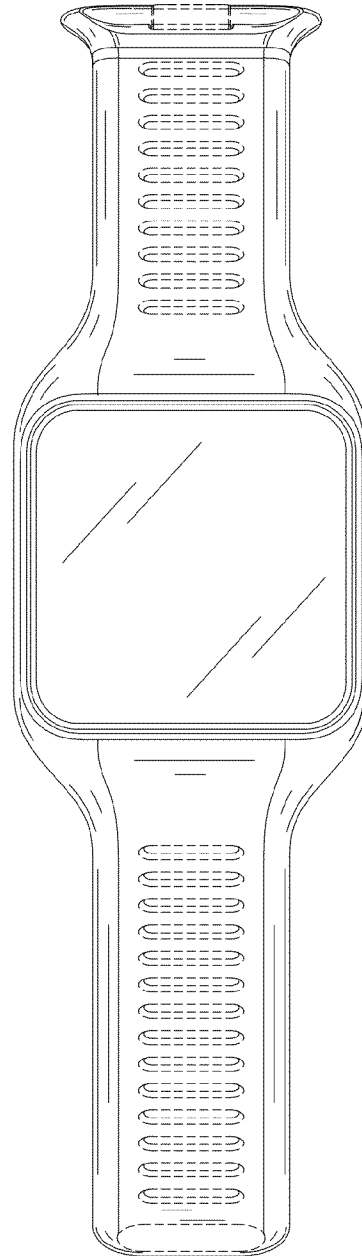


FIG. 4

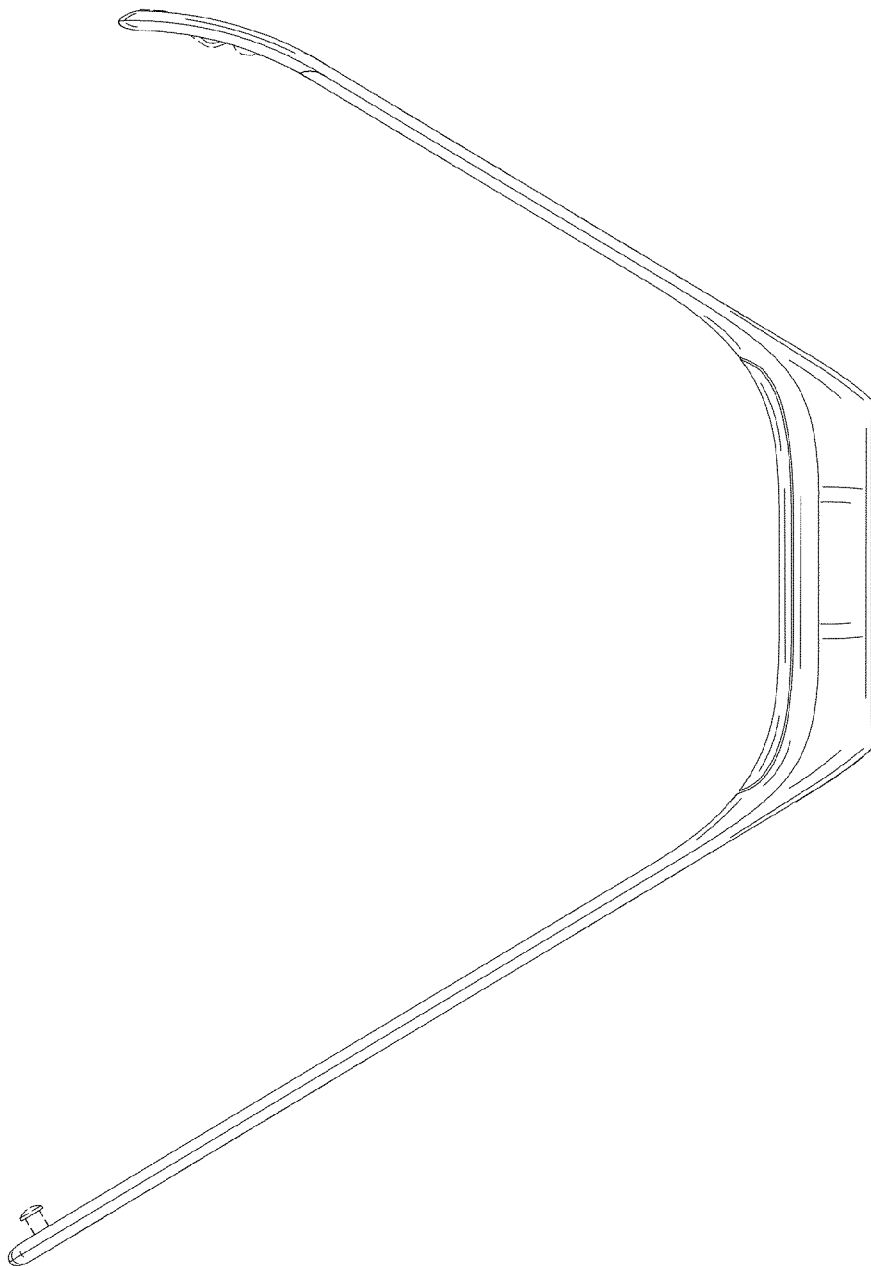


FIG. 5

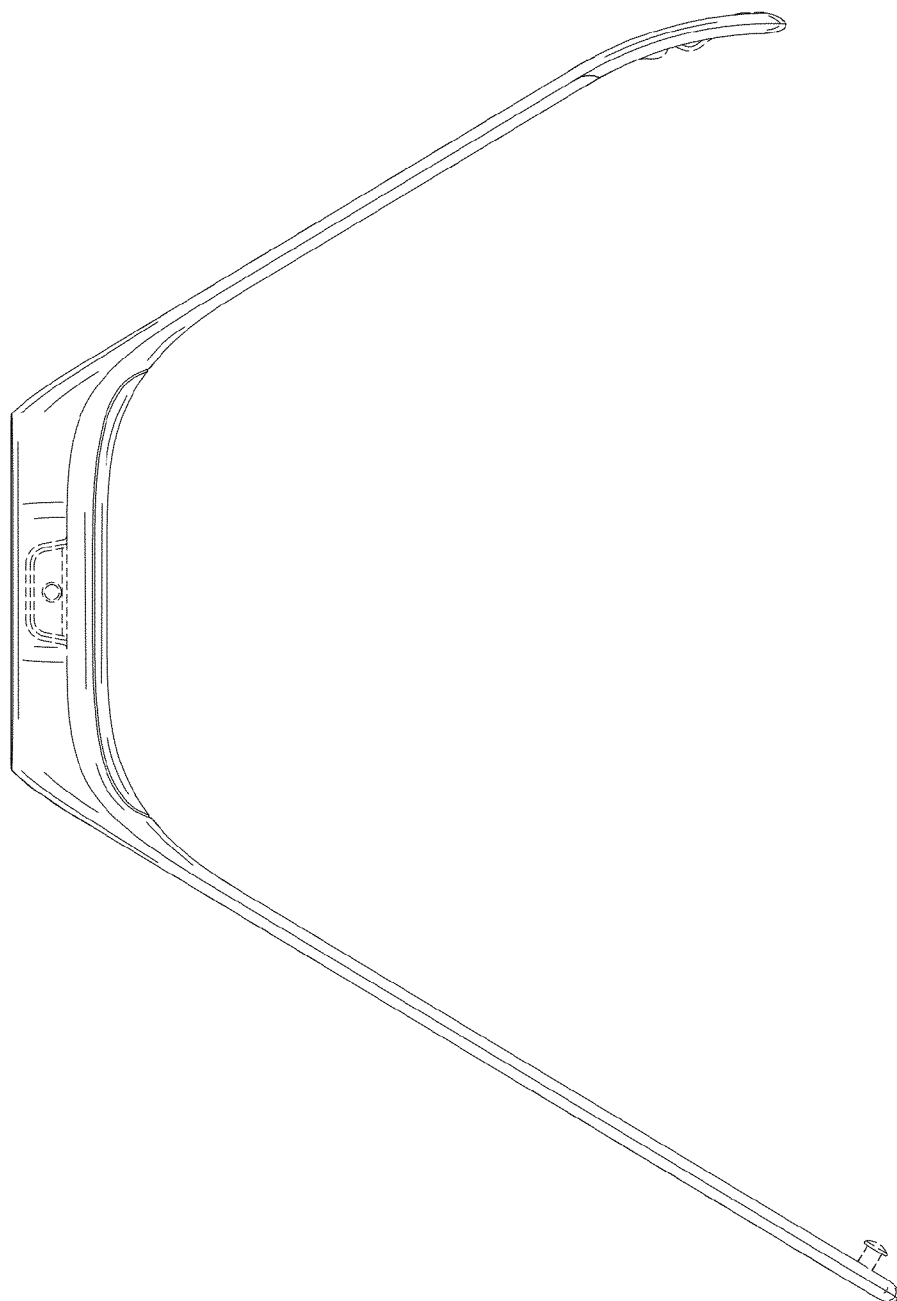


FIG. 6

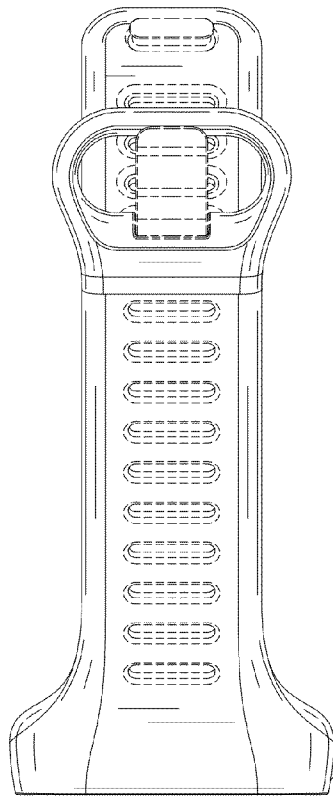


FIG. 7

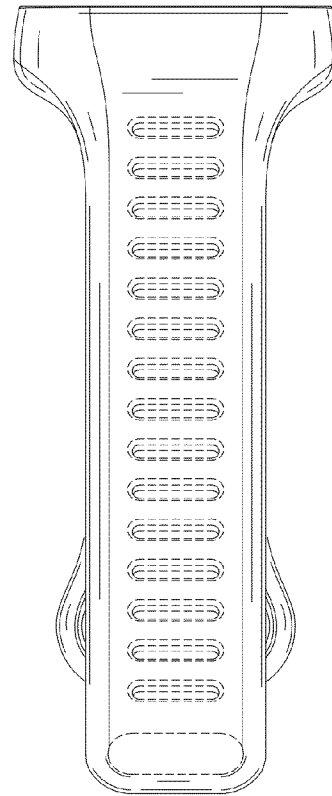


FIG. 8