



US00D621362S

(12) **United States Design Patent**
Huang et al.

(10) **Patent No.:** **US D621,362 S**

(45) **Date of Patent:** **** Aug. 10, 2010**

(54) **CABLE ASSEMBLY**

(75) Inventors: **Chien-Hsun Huang**, Tu-Cheng (TW);
Hao Tang, Kunshan (CN)

(73) Assignee: **Hon Hai Precision Ind. Co., Ltd.**,
Taipei Hsien (TW)

(**) Term: **14 Years**

(21) Appl. No.: **29/352,927**

(22) Filed: **Dec. 30, 2009**

(30) **Foreign Application Priority Data**

Jun. 30, 2009 (CN) 200930308014

(51) **LOC (9) Cl.** **13-03**

(52) **U.S. Cl.** **D13/147; D13/153**

(58) **Field of Classification Search** D13/147,
D13/153, 154, 184; 439/350, 352, 358, 447,
439/578, 584–585, 607–610, 668, 680, 682,
439/686

See application file for complete search history.

(56) **References Cited**

U.S. PATENT DOCUMENTS

D416,233 S * 11/1999 Tsai D13/153

D416,542 S * 11/1999 Tsai D13/153
D416,868 S * 11/1999 Tsai D13/153
D442,553 S * 5/2001 Urban et al. D13/153
D600,652 S * 9/2009 Hong et al. D13/154
D602,436 S * 10/2009 Wu et al. D13/147
D610,095 S * 2/2010 Wu et al. D13/147

* cited by examiner

Primary Examiner—Daniel D Bui

(74) *Attorney, Agent, or Firm*—Wei Te Chung; Andrew C. Cheng; Ming Chieh Chang

(57) **CLAIM**

The ornamental design for a cable assembly, as shown and described.

DESCRIPTION

FIG. 1 is a perspective view of a cable assembly showing our new design;

FIG. 2 is a front elevational view thereof;

FIG. 3 is a rear elevational view thereof;

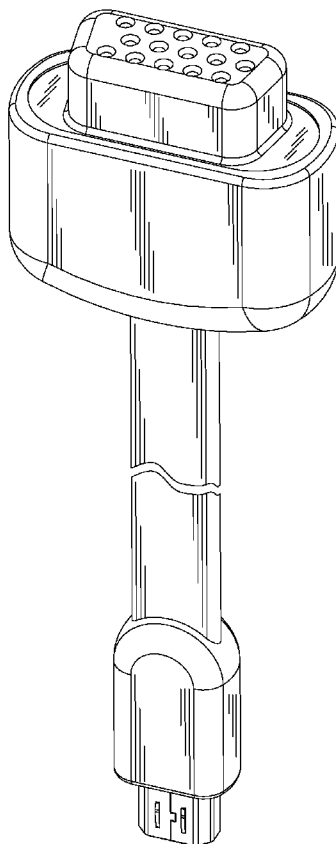
FIG. 4 is a left side elevational view thereof;

FIG. 5 is a right side elevational view thereof;

FIG. 6 is a top plan view thereof; and,

FIG. 7 is a bottom plan view thereof.

1 Claim, 7 Drawing Sheets



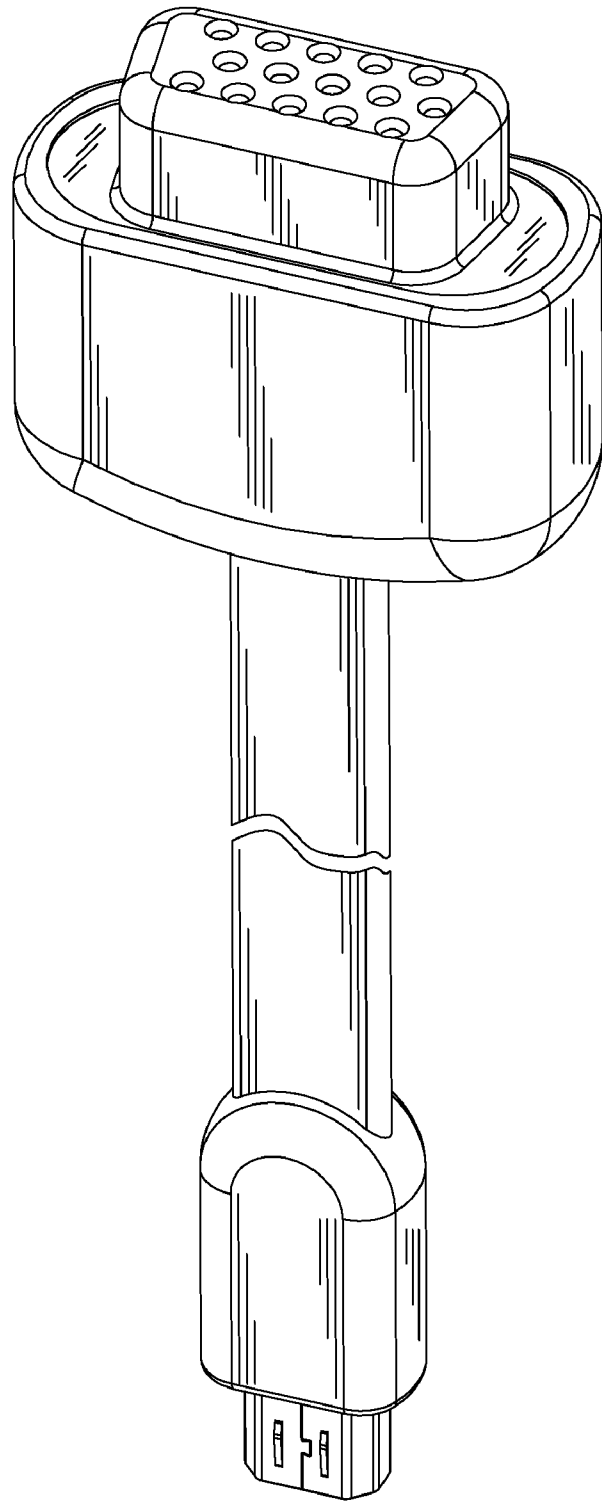


FIG. 1

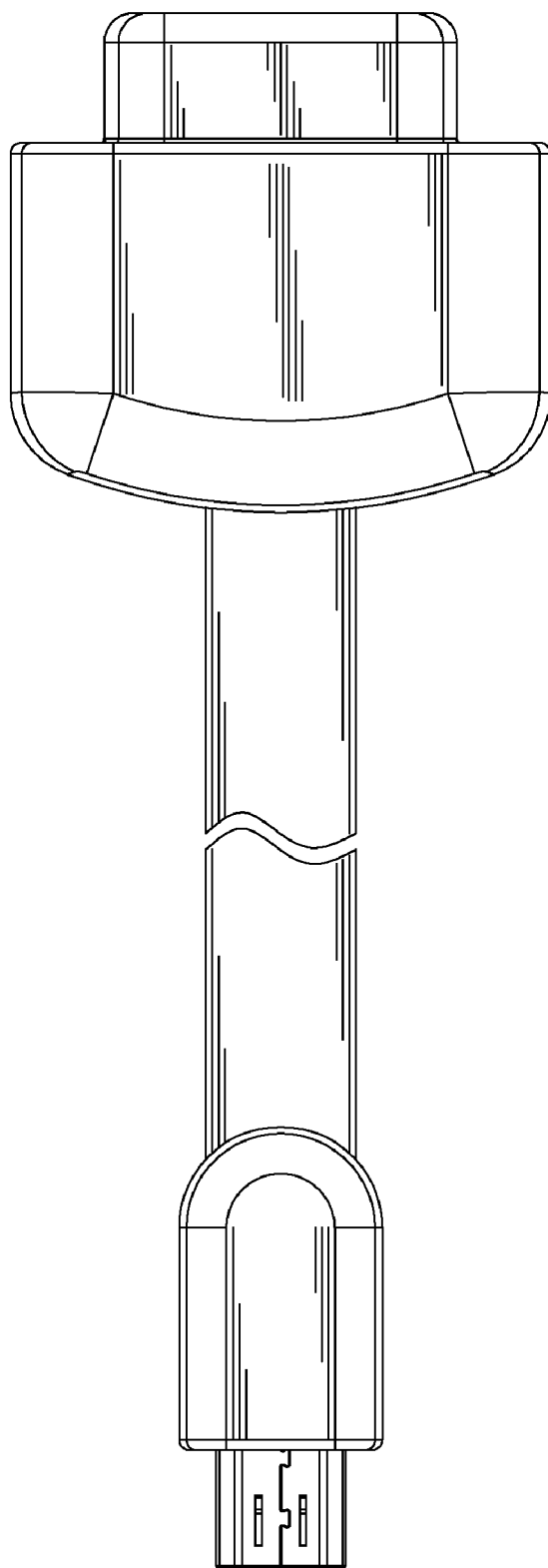


FIG. 2

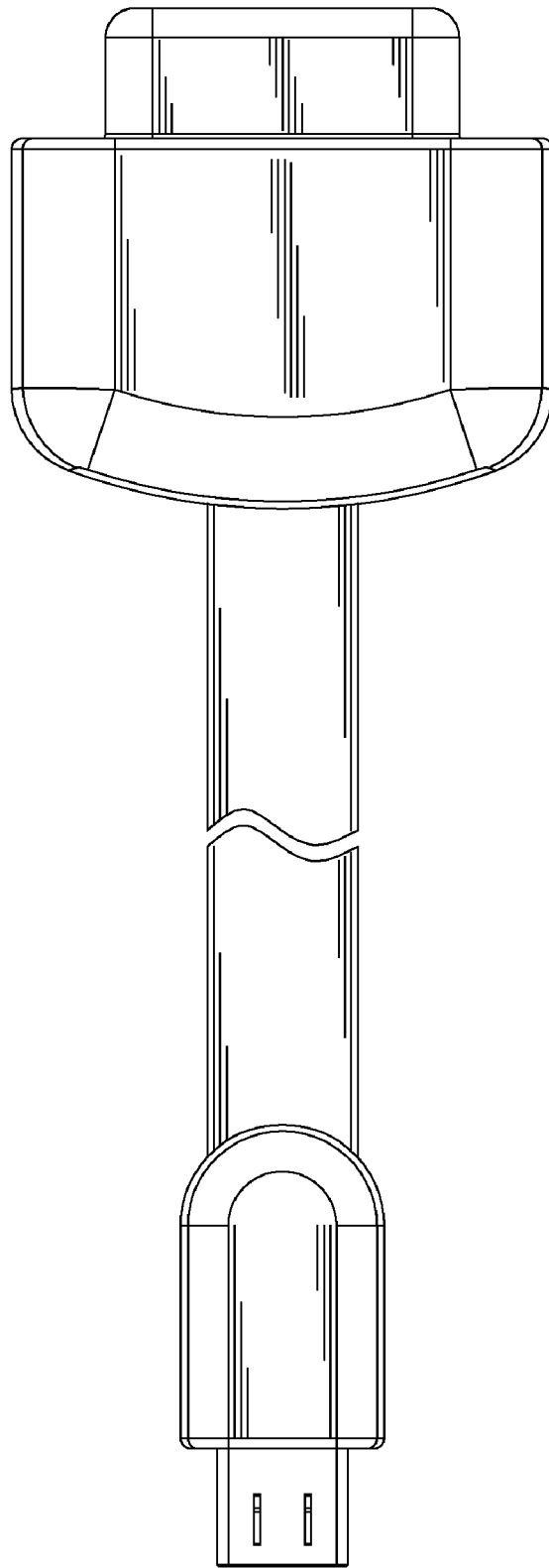


FIG. 3

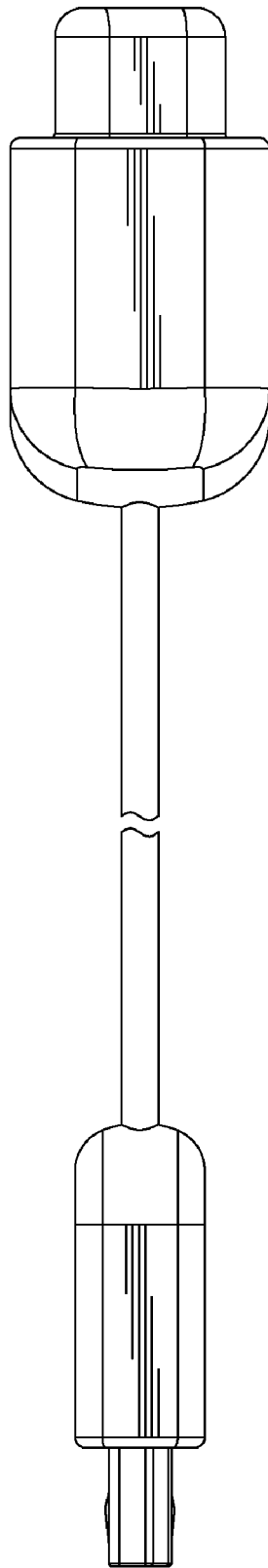


FIG. 4

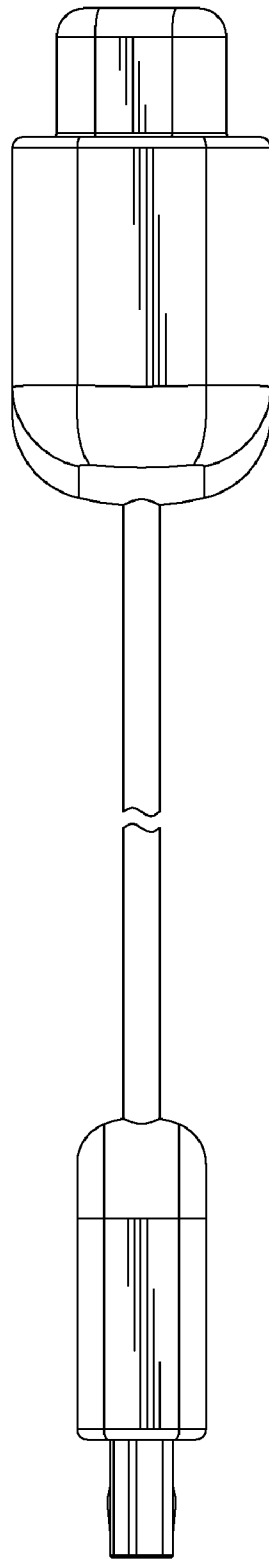


FIG. 5

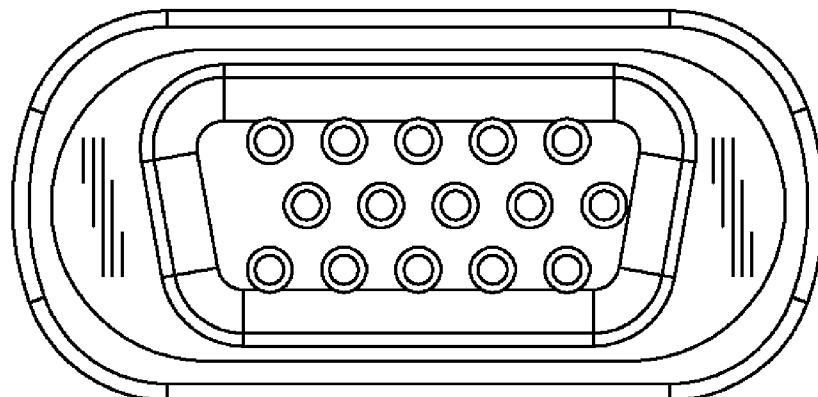


FIG. 6

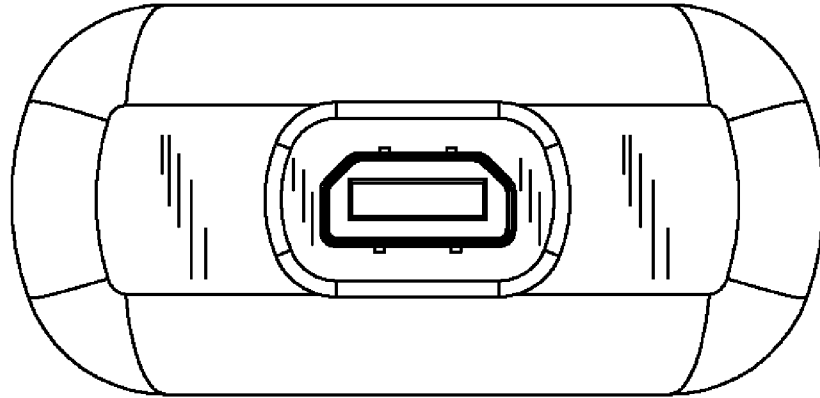


FIG. 7