

(19) World Intellectual Property Organization
International Bureau



(43) International Publication Date
9 June 2011 (09.06.2011)

(10) International Publication Number
WO 2011/067684 A3

- (51) International Patent Classification:
B65D 83/76 (2006.01) *B67D 7/62* (2010.01)
A47K 5/12 (2006.01) *B67D 7/08* (2010.01)
- (21) International Application Number:
PCT/IB2010/054784
- (22) International Filing Date:
21 October 2010 (21.10.2010)
- (25) Filing Language: English
- (26) Publication Language: English
- (30) Priority Data:
12/628,665 1 December 2009 (01.12.2009) US
- (71) Applicant (for all designated States except US): **KIMBERLY-CLARK WORLDWIDE, INC.** [US/US]; Neenah, Wisconsin 54956 (US).
- (72) Inventors; and
(75) Inventors/Applicants (for US only): **TRAMONTINA, Paul, Francis** [US/US]; 487 Indian Creek Road, Harleysville, Pennsylvania 19438 (US). **LEWIS, Richard, Paul** [US/US]; 3429 Woodrun Trail, Marietta, Georgia 30062 (US).
- (74) Agents: **DEAN, Ralph, H.** et al.; KIMBERLY-CLARK WORLDWIDE, INC., 2300 Winchester Road, Neenah, Wisconsin 54956 (US).
- (81) Designated States (unless otherwise indicated, for every kind of national protection available): AE, AG, AL, AM,

[Continued on next page]

(54) Title: FLUID DISPENSER

(57) Abstract: The present invention provides an easy to maintain dispenser which will dispense an appropriate amount of fluid to effectively clean a user's hand, even if the dispenser is inactive for a period of time. Also disclosed is a method of dispensing a fluid from the dispenser.

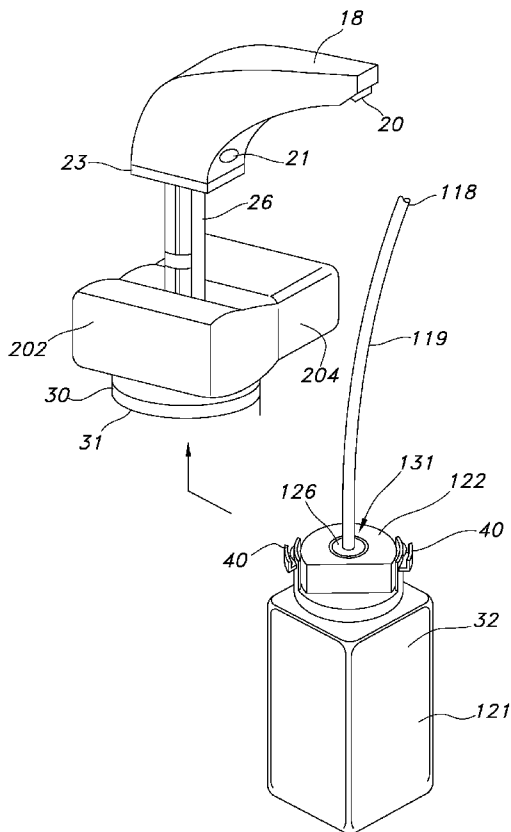


FIG. 2

WO 2011/067684 A3



AO, AT, AU, AZ, BA, BB, BG, BH, BR, BW, BY, BZ, CA, CH, CL, CN, CO, CR, CU, CZ, DE, DK, DM, DO, DZ, EC, EE, EG, ES, FI, GB, GD, GE, GH, GM, GT, HN, HR, HU, ID, IL, IN, IS, JP, KE, KG, KM, KN, KP, KR, KZ, LA, LC, LK, LR, LS, LT, LU, LY, MA, MD, ME, MG, MK, MN, MW, MX, MY, MZ, NA, NG, NI, NO, NZ, OM, PE, PG, PH, PL, PT, RO, RS, RU, SC, SD, SE, SG, SK, SL, SM, ST, SV, SY, TH, TJ, TM, TN, TR, TT, TZ, UA, UG, US, UZ, VC, VN, ZA, ZM, ZW.

(84) Designated States (*unless otherwise indicated, for every kind of regional protection available*): ARIPO (BW, GH, GM, KE, LR, LS, MW, MZ, NA, SD, SL, SZ, TZ, UG,

ZM, ZW), Eurasian (AM, AZ, BY, KG, KZ, MD, RU, TJ, TM), European (AL, AT, BE, BG, CH, CY, CZ, DE, DK, EE, ES, FI, FR, GB, GR, HR, HU, IE, IS, IT, LT, LU, LV, MC, MK, MT, NL, NO, PL, PT, RO, RS, SE, SI, SK, SM, TR), OAPI (BF, BJ, CF, CG, CI, CM, GA, GN, GQ, GW, ML, MR, NE, SN, TD, TG).

Published:

— *with international search report (Art. 21(3))*

(88) Date of publication of the international search report:

13 October 2011

A. CLASSIFICATION OF SUBJECT MATTER*B65D 83/76(2006.01)i, A47K 5/12(2006.01)i, B67D 7/62(2010.01)i, B67D 7/08(2010.01)i*

According to International Patent Classification (IPC) or to both national classification and IPC

B. FIELDS SEARCHED

Minimum documentation searched (classification system followed by classification symbols)

B65D 83/76; B67D 7/62; A47K 5/12; G01F 11/06; A47K 5/00; B65D 35/54

Documentation searched other than minimum documentation to the extent that such documents are included in the fields searched

Korean utility models and applications for utility models

Japanese utility models and applications for utility models

Electronic data base consulted during the international search (name of data base and, where practicable, search terms used)

eKOMPASS(KIPO internal) & Keywords: dispenser, moter, sensor, pump

C. DOCUMENTS CONSIDERED TO BE RELEVANT

Category*	Citation of document, with indication, where appropriate, of the relevant passages	Relevant to claim No.
Y A	US 2009-0166381 A1 (PHELPS STEPHEN LAWRENCE et al.) 02 July 2009 See paragraphs 51 - 53 and figures 2,4.	13-20 1-12
Y	US 2005-0247735 A1 (KENNETH MUDERLAK et al.) 10 November 2005 See paragraph 65 - 66 and figure 7.	13-20
A	US 2004-0050876 A1 (KENNETH, J. MUDERLAK et al.) 18 March 2004 See paragraph 68.	1-20
PA	US 2010-0140300 A1 (LEWIS RICHARD PAUL et al.) 10 June 2010 See claim 1 and figure 3.	1-20

 Further documents are listed in the continuation of Box C. See patent family annex.

* Special categories of cited documents:

"A" document defining the general state of the art which is not considered to be of particular relevance

"E" earlier application or patent but published on or after the international filing date

"L" document which may throw doubts on priority claim(s) or which is cited to establish the publication date of citation or other special reason (as specified)

"O" document referring to an oral disclosure, use, exhibition or other means

"P" document published prior to the international filing date but later than the priority date claimed

"T" later document published after the international filing date or priority date and not in conflict with the application but cited to understand the principle or theory underlying the invention

"X" document of particular relevance; the claimed invention cannot be considered novel or cannot be considered to involve an inventive step when the document is taken alone

"Y" document of particular relevance; the claimed invention cannot be considered to involve an inventive step when the document is combined with one or more other such documents, such combination being obvious to a person skilled in the art

"&" document member of the same patent family

Date of the actual completion of the international search

25 JULY 2011 (25.07.2011)

Date of mailing of the international search report

25 JULY 2011 (25.07.2011)

Name and mailing address of the ISA/KR

Korean Intellectual Property Office
Government Complex-Daejeon, 189 Cheongsa-ro,
Seo-gu, Daejeon 302-701, Republic of Korea

Facsimile No. 82-42-472-7140

Authorized officer

HAN, Chang Soo

Telephone No. 82-42-481-5463



INTERNATIONAL SEARCH REPORT

Information on patent family members

International application No.

PCT/IB2010/054784

Patent document cited in search report	Publication date	Patent family member(s)	Publication date
US 2009-0166381 A1	02.07.2009	AU 2008-346138 A1	16.07.2009
		AU 2008-346138 A1	16.07.2009
		CA 2708410 A1	16.07.2009
		CN 101910013 A	08.12.2010
		CN 101910013 A	08.12.2010
		EP 2252524 A2	24.11.2010
		JP 2011-514173 A	06.05.2011
		KR 10-2010-0099711 A	13.09.2010
		KR20100099711A	13.09.2010
		US 2009-166381 A1	02.07.2009
		WO 2009-087510 A2	16.07.2009
		WO 2009-087510 A3	16.07.2009
		WO 2009-087510 A3	03.12.2009
		US 2005-0247735 A1	10.11.2005
AU 2005-244741 A1	01.12.2005		
AU 2005-244741 B2	05.08.2010		
AU 2005-244741 B2	05.08.2010		
AU 2010-202977 A1	05.08.2010		
CA 2565806 A1	01.12.2005		
CN 100546531 C	07.10.2009		
CN 100546531 C	07.10.2009		
CN 1980593 A	13.06.2007		
CN 1980593 A	13.06.2007		
CN 1980593 C0	13.06.2007		
EP 1750561 A1	14.02.2007		
EP 2196121 A2	16.06.2010		
KR 10-2007-0007918 A	16.01.2007		
KR20070007918A	16.01.2007		
KR20070007918A	16.01.2007		
US 2005-247735 A1	10.11.2005		
US 7540397 B2	02.06.2009		
WO 2005-112724 A1	01.12.2005		
ZA200609240A	28.04.2010		
US 2004-0050876 A1	18.03.2004	AU 2000-75806 A1	17.04.2001
		AU 2001-14943 A1	10.05.2001
		AU 2001-14943 B2	27.10.2005
		CA 2390219 A1	12.04.2001
		CA 2390219 C	14.12.2010
		CN 100464165 C0	25.02.2009
		CN 101390719 A	25.03.2009
		CN 101390719 A	25.03.2009
		CN 1402829 A0	12.03.2003
		EP 1240480 A1	18.09.2002
		TW 534804 A	01.06.2003
		TW 534804 B	01.06.2003
		US 2002-0185500 A1	12.12.2002
		US 2004-050876 A1	18.03.2004

INTERNATIONAL SEARCH REPORT

Information on patent family members

International application No.

PCT/IB2010/054784

Patent document cited in search report	Publication date	Patent family member(s)	Publication date
		US 2005-0205612 A1	22.09.2005
		US 2005-0218161 A1	06.10.2005
		US 6467651 B1	22.10.2002
		US 6651851 B2	25.11.2003
		US 6929150 B2	16.08.2005
		US 7533787 B2	19.05.2009
		US 7611317 B2	03.11.2009
		WO 01-19720 A1	22.03.2001
		WO 01-25730 A1	12.04.2001
US 2010-0140300 A1	10.06.2010	AU 2009-325981 A1	17.06.2010
		US 2010-140300 A1	10.06.2010
		WO 2010-067226 A2	17.06.2010
		WO 2010-067226 A2	17.06.2010
		WO 2010-067226 A3	12.08.2010
		WO 2010-067226 A3	17.06.2010