

[54] **PLUNGER ROD/NEEDLE PROTECTOR FOR A HYPODERMIC SYRINGE**

[75] Inventors: **Thomas J. Ambrosio**, Somerville; **Henry J. Buchman**, Edison; **Joseph J. Rogus**, Bridgewater; **Henry R. Sochon**, Clifton, all of N.J.

[73] Assignee: **Schering Corporation**, Kenilworth, N.J.

[\*\*] Term: **14 Years**

[21] Appl. No.: **184,436**

[22] Filed: **Sep. 4, 1980**

[51] Int. Cl. .... **D24-02; D24-99**

[52] U.S. Cl. .... **D24/25; 128/218 P; D24/24**

[58] Field of Search ..... **128/218 P, 218; 206/365, 216; D24/24, 25**

[56] **References Cited**

**U.S. PATENT DOCUMENTS**

- D. 167,127 6/1952 Willis ..... D24/24
- D. 208,080 7/1967 Hamilton ..... D24/25

- D. 248,491 7/1978 Reiss ..... D24/25
- 2,690,803 11/1954 Ogle ..... 128/218 P
- 3,028,862 4/1962 Prater, Jr. .... 128/218 P
- 3,381,813 5/1968 Coanda et al. .... 206/365
- 3,390,759 7/1968 Vanderbeck ..... 206/216
- 3,783,997 1/1974 Brown ..... 206/365
- 3,820,652 6/1974 Trackston ..... 206/365
- 4,018,222 4/1977 McAleer ..... 206/365 X
- 4,106,622 8/1978 Windischman ..... 206/365
- 4,332,323 6/1982 Reenstierna ..... 206/365

*Primary Examiner*—Bernard Ansher

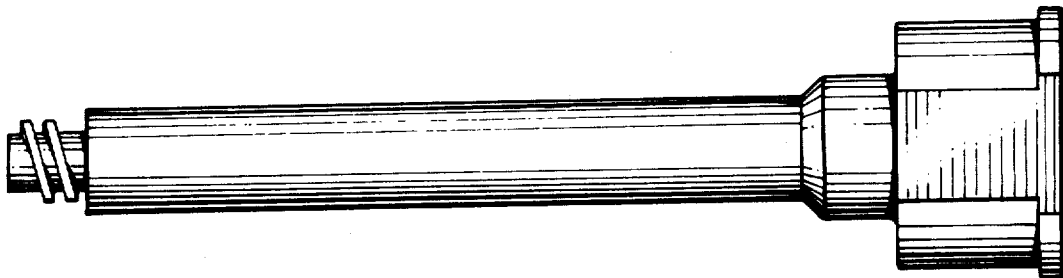
*Attorney, Agent, or Firm*—Warrick E. Lee, Jr.; Vincent H. Gifford; Bruce M. Eisen

[57] **CLAIM**

The ornamental design for a plunger rod/needle protector for a hypodermic syringe, as shown and described.

**DESCRIPTION**

FIG. 1 is a side elevation of a plunger rod/needle protector for a hypodermic syringe showing our new design, FIG. 2 is an end view taken from the right of FIG. 1, FIG. 3 is a perspective view thereof; and FIG. 4 is a perspective view in the opposite direction of that of FIG. 3.



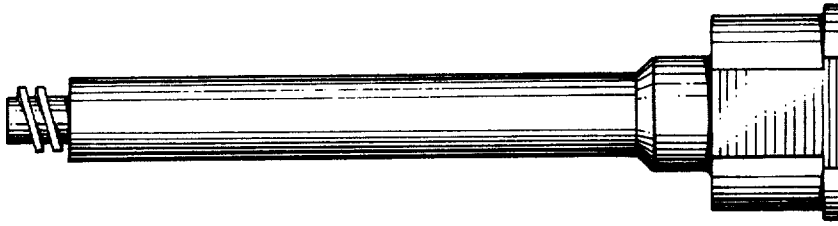


FIG. 1

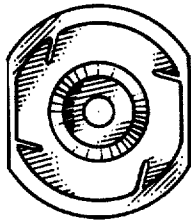


FIG. 2

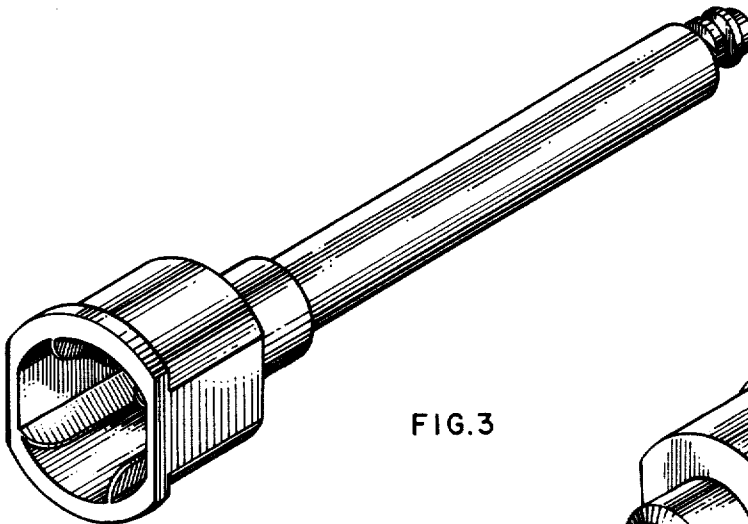


FIG. 3

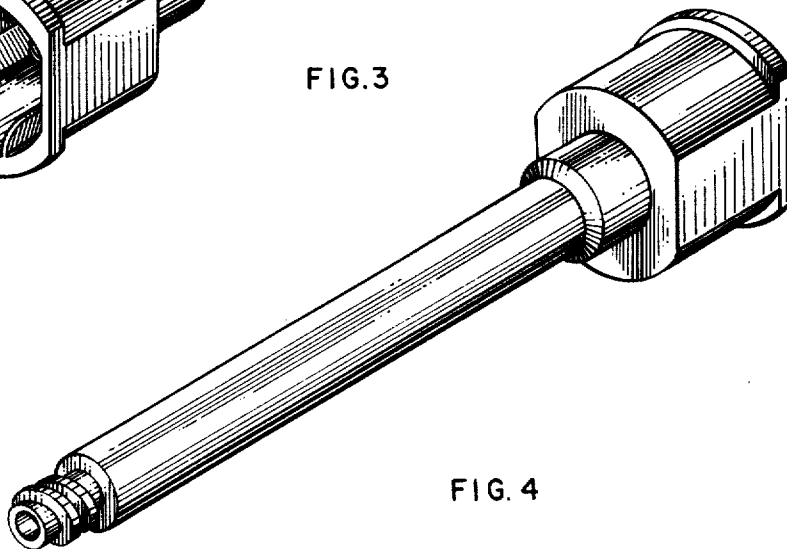


FIG. 4