

- [54] ESCUTCHEON FOR PLUMBING FITTING
- [75] Inventors: Herbert V. Kohler, Jr., Kohler, Wis.;
Paul P. Kolada, Bexley, Ohio
- [73] Assignee: Kohler Co., Kohler, Wis.
- [**] Term: 14 Years
- [21] Appl. No.: 820,202
- [22] Filed: Jan. 16, 1986
- [52] U.S. Cl. D23/249; D23/254;
D8/350; D8/353
- [58] Field of Search D23/249, 254; D8/301,
D8/350, 353

P. 128 from the Kohler Co. "K-300 catalog," dated 1982, showing the K-6902 Escutcheon.
 Pp. 3-32 from the Kohler Co. "K-400 catalog," dated 1985, admitted prior art, showing the K-6910 Escutcheon.
 P. 11 of an Elkay ad entitled "Shower-Tub Filler Valves," undated, admitted prior art.
 A Nibco ad entitled "Pressure Equalizing Valve," undated, admitted prior art.
 P. 10 of a Delta ad entitled "Bath and Shower," undated, admitted prior art.
 P. 11 of a Delta ad showing the 1646, 2882c and 2746 Escutcheons, undated, admitted prior art.
 A Valley ad entitled "Single Control Washerless Faucets," undated, admitted prior art.
 A Valley ad entitled "Styles to Complement the Modern Bath," showing the A481, TC936 and TC491 Escutcheons, undated, admitted prior art.

[56] **References Cited**

U.S. PATENT DOCUMENTS

D. 173,628	12/1954	Schlage	D8/353
D. 173,629	12/1954	Schlage	D8/353
D. 179,659	2/1957	Schoepe	.	
D. 182,305	3/1958	Russell	D8/353
D. 185,005	4/1959	Kubota	D8/350
D. 185,190	5/1959	Clayton	D8/353
D. 187,491	3/1960	Aleks	D8/353
D. 194,229	12/1962	Landell et al.	D23/254
D. 203,795	2/1966	Harvey et al.	D23/254
D. 212,611	11/1968	Young	D23/249
D. 220,379	4/1971	Baker	D8/350
D. 228,061	8/1973	Kartarik	.	
D. 263,989	4/1982	Fleischmann et al.	.	
D. 284,687	7/1986	Doman et al.	D23/249

OTHER PUBLICATIONS

A Moen ad entitled "Chateau Tub & Shower Valve" from p. 20 of a 1980 brochure, together with additional photos of the 2700 Escutcheon shown therein.

Primary Examiner—James R. Largen
Attorney, Agent, or Firm—Quarles & Brady

[57] **CLAIM**

The ornamental design for an escutcheon for plumbing fitting, as shown and described.

DESCRIPTION

FIG. 1 is a top perspective view of an escutcheon for plumbing fitting showing our new design;
 FIG. 2 is a side elevational view thereof, the other sides being the same as the side shown;
 FIG. 3 is a top plan view thereof;
 FIG. 4 is a bottom plan view thereof;
 FIG. 5 is a cross-sectional view taken on line 5—5 of FIG. 3; and,
 FIG. 6 is a cross-sectional view taken on line 6—6 of FIG. 3.

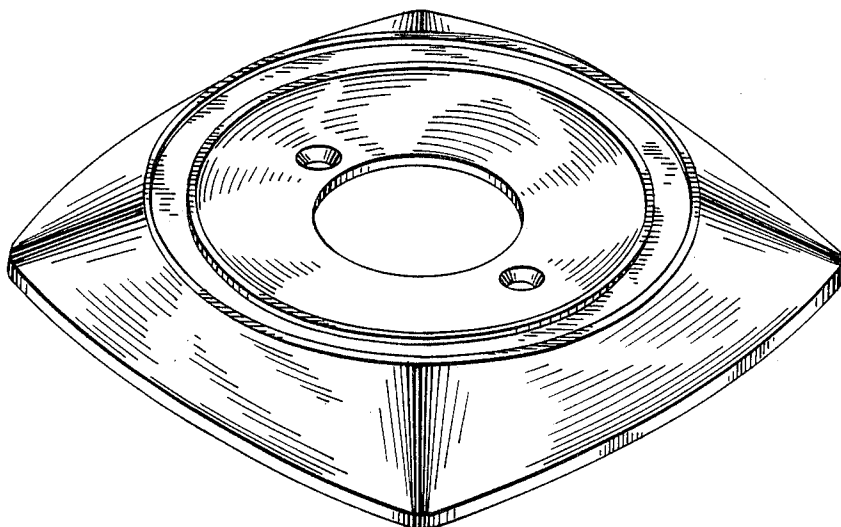


FIG. 1

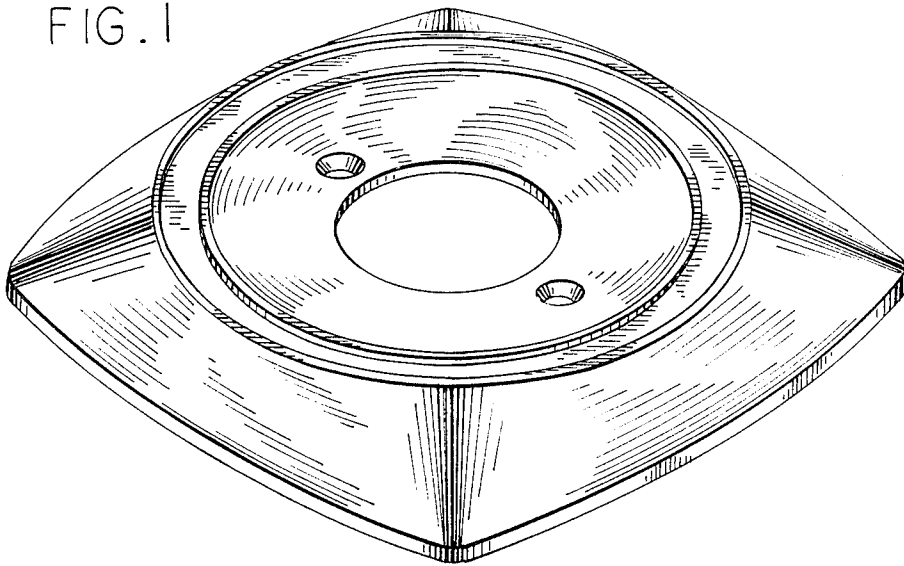


FIG. 2

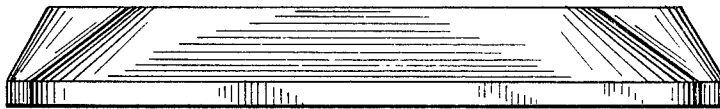


FIG. 5

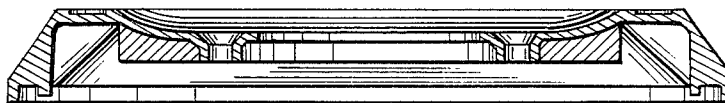


FIG. 6



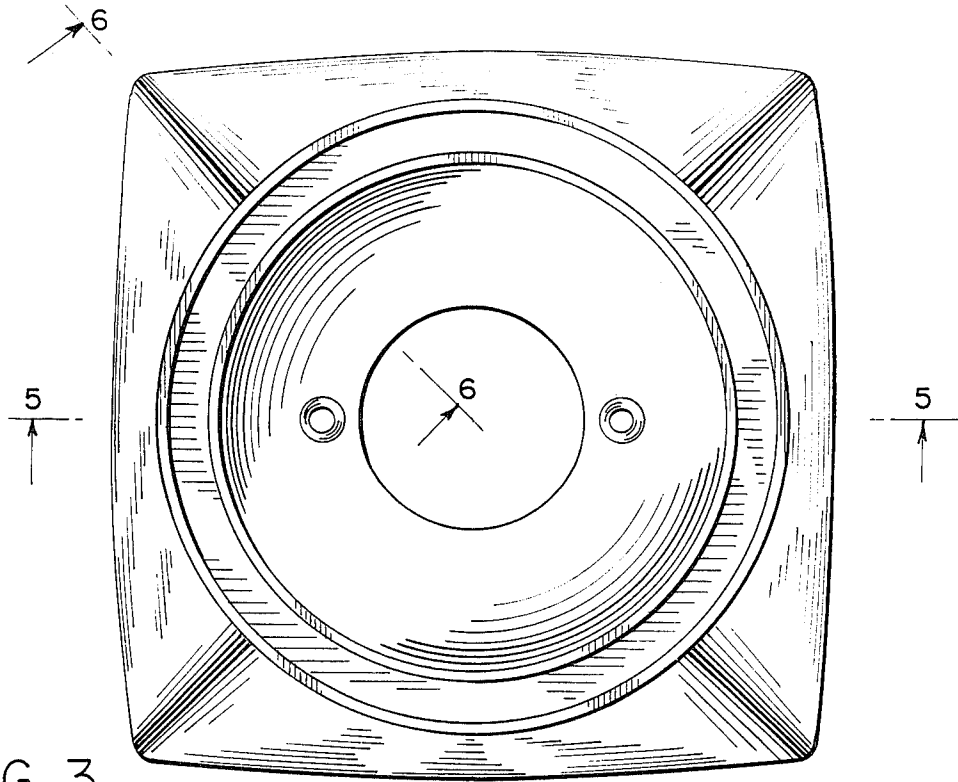


FIG. 3

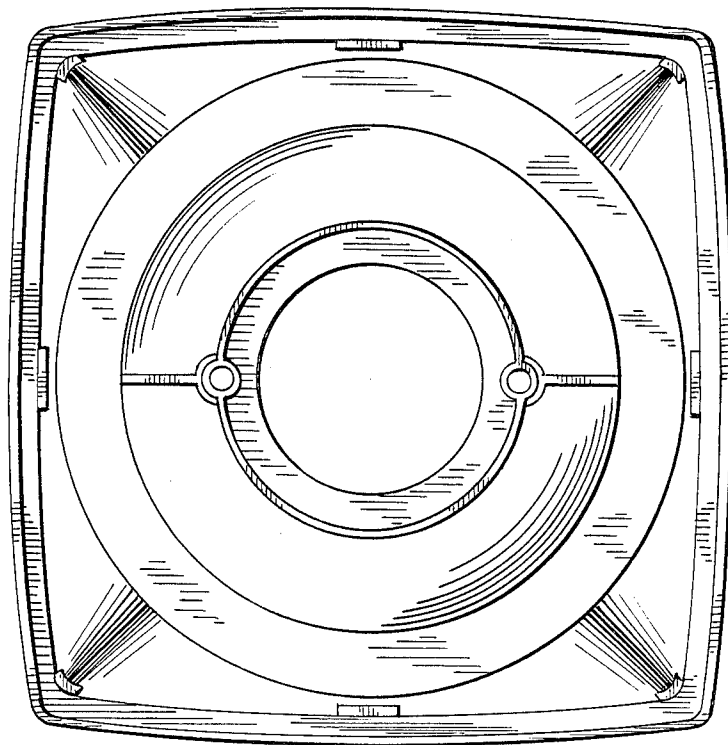


FIG. 4