



US0D1000732S

(12) **United States Design Patent**
Mott et al.

(10) **Patent No.:** **US D1,000,732 S**
(45) **Date of Patent:** **** Oct. 3, 2023**

(54) **PET TRACKING AND MONITORING DEVICE**

FOREIGN PATENT DOCUMENTS

(71) Applicant: **Mars, Incorporated**, McLean, VA (US)

CN 102833675 A 12/2012
CN 105981418 A 9/2016

(Continued)

(72) Inventors: **Robert Mott**, San Francisco, CA (US);
Russ Ward Smith, San Francisco, CA (US);
Shao En Huang, San Francisco, CA (US)

OTHER PUBLICATIONS

“Whistle Health & GPS” available 2022, [online], [site visited Mar. 15, 2023]. Retrieved from Internet, URL:https://www.whistle.com/products/whistle-health-gps-plus-dog-tracker-activity-monitor?variant=39481877069872 (Year: 2022).*

(Continued)

(73) Assignee: **MARS, INCORPORATED**, McLean, VA (US)

(**) Term: **15 Years**

Primary Examiner — Katrina N Gonzalez

(21) Appl. No.: **29/758,370**

(74) *Attorney, Agent, or Firm* — Baker Botts L.L.P.

(22) Filed: **Nov. 13, 2020**

(57) **CLAIM**

(51) **LOC (14) Cl.** **30-99**

The ornamental design for a pet tracking and monitoring device, as shown and described.

(52) **U.S. Cl.**

USPC **D30/199**; D30/152

(58) **Field of Classification Search**

DESCRIPTION

USPC D30/144, 145, 151, 152, 153, 155, 156,
D30/199; D11/200, 201, 202, 206, 212,
D11/218, 86, 87, 88, 94, 184; 119/856,
119/858, 863, 712, 714, 716, 717, 718,
119/719, 720, 722; D10/104.1, 104.2,
D10/105, 116.1; D14/137, 188
CPC .. A01K 27/005; A01K 27/003; A01K 27/001;
A01K 27/00; A01K 13/003; A01K 15/00;
A01K 27/007

FIG. 1 is a front perspective view of the pet tracking and monitoring device in accordance with the disclosed subject matter.

FIG. 2 is a front view of the pet tracking and monitoring device shown in FIG. 1.

FIG. 3 is a rear view of the pet tracking and monitoring device shown in FIG. 1.

FIG. 4 is a right side view of the pet tracking and monitoring device shown in FIG. 1.

FIG. 5 is a left side view of the pet tracking and monitoring device shown in FIG. 1.

FIG. 6 is a top view of the pet tracking and monitoring device shown in FIG. 1; and,

FIG. 7 is a bottom view of the pet tracking and monitoring device shown in FIG. 1.

The broken lines illustrate portions of the pet tracking and monitoring device that form no part of the claimed design.

See application file for complete search history.

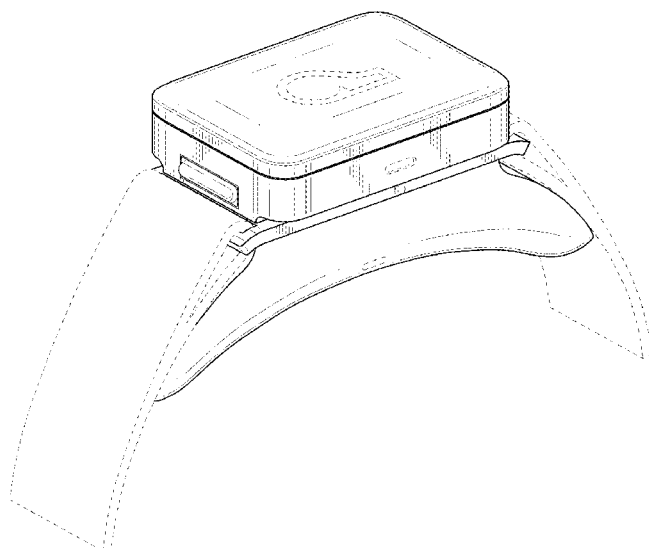
(56) **References Cited**

U.S. PATENT DOCUMENTS

1,242,159 A 10/1917 Dunkleberger
1,271,650 A 7/1918 Arkin
1,380,177 A 5/1921 Louis
1,402,827 A 1/1922 Louis
1,754,200 A 4/1930 Janes

(Continued)

1 Claim, 4 Drawing Sheets



(56)

References Cited

U.S. PATENT DOCUMENTS

1,839,896	A	1/1932	Theodore	D673,110	S	12/2012	Sasada et al.	
2,364,266	A	12/1944	Edward	D673,334	S	* 12/2012	Guo	D30/152
3,251,110	A	5/1966	John	D673,908	S	1/2013	Koch	
3,477,409	A	11/1969	Costanzo	8,353,603	B2	1/2013	Berry et al.	
3,782,017	A	1/1974	Graham	8,356,579	B2	1/2013	Sullivan	
D242,675	S	12/1976	McNair	D680,541	S	4/2013	Lee et al.	
4,208,986	A	6/1980	Costanzo	D693,814	S	11/2013	Park	
4,318,234	A	3/1982	Charles et al.	D694,228	S	11/2013	Richter	
D264,260	S	5/1982	Terino	D695,468	S	12/2013	Finlan	
4,742,503	A	5/1988	Braun et al.	D698,376	S	1/2014	Funato et al.	
4,748,938	A	6/1988	Owen	D704,634	S	5/2014	Eidelman et al.	
4,802,482	A	2/1989	Gonda et al.	D706,321	S	6/2014	Oetlinger et al.	
4,809,700	A	3/1989	Castelli et al.	D709,396	S	7/2014	Eidelman et al.	
D300,678	S	4/1989	Barrault	D714,498	S	9/2014	Khubani	
4,821,424	A	4/1989	Loggins	D715,675	S	* 10/2014	Ma	D11/3
4,881,492	A	11/1989	Jones	D724,971	S	3/2015	Bailey et al.	
4,940,020	A	7/1990	Gordon	D724,991	S	3/2015	Oh	
D337,411	S	7/1993	Smith	D725,511	S	3/2015	Read et al.	
D349,864	S	8/1994	Dunlap et al.	D725,841	S	3/2015	So	
5,473,830	A	12/1995	Doble	D725,850	S	3/2015	Eidelman et al.	
5,603,094	A	2/1997	Greear	D726,052	S	* 4/2015	Henning	D10/70
5,623,731	A	4/1997	Ehrgott et al.	D742,817	S	11/2015	Lammers-Meis et al.	
D410,206	S	5/1999	Slater	9,179,647	B2	11/2015	Lambert	
6,003,473	A	12/1999	Printz	D744,656	S	12/2015	Schempp et al.	
6,202,599	B1	3/2001	Cutler	D744,658	S	12/2015	Hilkey-Boyatt	
D444,599	S	* 7/2001	Guerry, Jr.	D745,421	S	12/2015	Akana et al.	
D445,352	S	7/2001	So	D749,570	S	2/2016	Lee	
6,314,058	B1	11/2001	Lee	D751,069	S	* 3/2016	Choi	D10/70
D454,991	S	3/2002	Muller	D751,549	S	* 3/2016	Park	D14/344
D460,221	S	7/2002	Sloot	D752,046	S	* 3/2016	Jun	D14/344
D464,941	S	10/2002	Latto et al.	D761,138	S	7/2016	Manabe et al.	
D471,678	S	3/2003	Hanna	D769,869	S	10/2016	Zhou et al.	
D478,830	S	8/2003	So	D772,745	S	11/2016	Henne et al.	
6,695,269	B1	2/2004	Anscher	D774,651	S	12/2016	Kaib et al.	
6,720,879	B2	4/2004	Edwards	D778,746	S	2/2017	Renganathan	
6,805,460	B1	10/2004	Zoller et al.	D780,238	S	2/2017	Kato	
6,970,090	B1	11/2005	Sciarra	D784,325	S	4/2017	Kim et al.	
D516,754	S	3/2006	Curtis	D788,999	S	6/2017	Zinn et al.	
D521,927	S	5/2006	Franck et al.	D794,206	S	8/2017	Cohrs	
D523,188	S	6/2006	Lord	D797,100	S	9/2017	Wieser et al.	
D524,282	S	7/2006	Beasley et al.	D798,861	S	10/2017	Wieser et al.	
7,107,941	B2	9/2006	Wang	D800,085	S	10/2017	Shepher	
7,140,989	B2	11/2006	Poruchny	D800,721	S	10/2017	Kim et al.	
D535,281	S	1/2007	Yang	D805,938	S	12/2017	Park et al.	
D537,409	S	2/2007	Suzuki	D806,880	S	* 1/2018	Henning	D14/344
D558,209	S	12/2007	Ikeda et al.	9,861,080	B1	1/2018	Hathway et al.	
D565,182	S	3/2008	Cheng et al.	D812,499	S	3/2018	Kuh et al.	
7,341,561	B2	3/2008	Tanaka et al.	D815,061	S	4/2018	Wei	
D575,009	S	8/2008	Murrell	D815,077	S	4/2018	Sibley et al.	
D575,289	S	8/2008	Kuo et al.	D816,080	S	* 4/2018	Chen	D14/344
D584,176	S	1/2009	Maruyama et al.	9,949,459	B2	4/2018	Pattie et al.	
D591,012	S	4/2009	Geissler	D816,520	S	5/2018	Elrod et al.	
D592,078	S	5/2009	Tang	D816,917	S	5/2018	Lee et al.	
D592,647	S	5/2009	L'Henaff et al.	D817,558	S	5/2018	Lee et al.	
D594,404	S	6/2009	Kuo et al.	D817,559	S	5/2018	Lee	
D594,874	S	6/2009	Sheba et al.	D819,633	S	6/2018	Jun	
D597,676	S	8/2009	Copeland et al.	9,986,791	B2	6/2018	Botkus et al.	
D599,241	S	9/2009	Andre et al.	D822,516	S	7/2018	Van Cliren et al.	
D607,617	S	1/2010	Golenz	10,021,946	B2	7/2018	Kaneko	
D608,277	S	1/2010	Cano et al.	D826,763	S	* 8/2018	Chuang	D11/3
D609,636	S	2/2010	Jensen	D828,189	S	9/2018	Benedetti	
7,705,736	B1	4/2010	Kedziora	D828,816	S	9/2018	Spors et al.	
D618,802	S	6/2010	Brady et al.	10,142,773	B2	11/2018	Taylor et al.	
D619,256	S	7/2010	Brady et al.	D838,716	S	1/2019	Teng et al.	
D619,308	S	7/2010	Roysky	D839,753	S	2/2019	Domke et al.	
D625,262	S	10/2010	Lee et al.	D840,251	S	2/2019	Choi	
D627,718	S	11/2010	Houghton	D841,005	S	2/2019	Lin	
D656,096	S	3/2012	Sasada et al.	D844,570	S	4/2019	Kornacki et al.	
D657,274	S	4/2012	Neethling	D846,748	S	4/2019	Benedikter	
D663,684	S	7/2012	Yang	D848,293	S	5/2019	Laurans et al.	
D663,685	S	7/2012	Yang	D850,627	S	6/2019	Purani et al.	
D667,322	S	9/2012	Madrack	D852,436	S	6/2019	Leach	
D668,562	S	10/2012	Madrack	D854,760	S	7/2019	Mott et al.	
D669,027	S	10/2012	Kumpula et al.	10,376,020	B1	8/2019	Doyle et al.	
D671,921	S	12/2012	Beall et al.	D858,904	S	9/2019	Zinn et al.	
				D860,989	S	* 9/2019	Choplin	D14/344
				10,420,401	B2	9/2019	Eidelman et al.	
				D861,534	S	10/2019	Paik	
				D865,301	S	10/2019	Eidelman et al.	

(56)

References Cited

U.S. PATENT DOCUMENTS

D865,546 S * 11/2019 Kellock D10/70
 D867,685 S 11/2019 Del Moral
 10,463,021 B2 11/2019 Lee
 D871,240 S 12/2019 Burns
 D898,613 S 10/2020 Stapleton
 10,820,151 B2 10/2020 Yoder et al.
 D906,526 S 12/2020 Wade et al.
 D910,187 S 2/2021 Benedikter
 D911,706 S 3/2021 Hyun
 D912,666 S * 3/2021 Bournique D14/344
 D918,071 S 5/2021 Nothacker et al.
 D932,712 S 10/2021 Mott et al.
 D948,137 S * 4/2022 Bocknek D30/152
 D950,863 S * 5/2022 Mott D30/152
 D952,961 S * 5/2022 Li D30/152
 D953,667 S * 5/2022 Li D30/152
 D965,925 S * 10/2022 Zhu D10/104.1
 D965,926 S * 10/2022 Mo D10/104.1
 D971,519 S * 11/2022 Iyo D30/152
 2001/0004238 A1 6/2001 Gerig
 2002/0010390 A1 1/2002 Guice et al.
 2003/0094145 A1 5/2003 Cheng
 2003/0116101 A1 6/2003 Kim et al.
 2006/0000194 A1 1/2006 Duncan et al.
 2006/0169222 A1* 8/2006 Gerig A01K 15/021
 119/859
 2006/0236955 A1 10/2006 Lord
 2006/0236956 A1 10/2006 Lord
 2007/0209604 A1 9/2007 Groh et al.
 2007/0221140 A1 9/2007 Warren et al.
 2008/0210176 A1 9/2008 Lalor
 2009/0013939 A1 1/2009 Santiago et al.
 2009/0038670 A1 2/2009 Shu
 2009/0289844 A1 11/2009 Palsgrove et al.
 2010/0154721 A1* 6/2010 Gerig A01K 15/021
 340/573.3
 2010/0162966 A1 7/2010 McFarland
 2011/0061605 A1 3/2011 Hardi et al.
 2012/0048213 A1 3/2012 Konovalov
 2013/0006065 A1 1/2013 Yanai et al.
 2013/0099920 A1 4/2013 Song
 2013/0113621 A1 5/2013 So
 2014/0290013 A1 10/2014 Eidelman et al.
 2015/0040839 A1* 2/2015 Goetzl A01K 15/021
 119/720
 2015/0053144 A1 2/2015 Bianchi et al.
 2015/0099472 A1* 4/2015 Ickovic A01K 27/009
 455/66.1
 2015/0250396 A1 9/2015 Ahmed et al.
 2015/0251074 A1 9/2015 Ahmed et al.
 2015/0356393 A1 12/2015 Daoura et al.
 2016/0135431 A1 5/2016 Sheldon et al.
 2016/0150857 A1 6/2016 Botkus
 2016/0216130 A1 7/2016 Abramson
 2016/0245500 A1 8/2016 Georgi
 2016/0253889 A1 9/2016 Keyton
 2016/0269868 A1 9/2016 Su
 2017/0079383 A1 3/2017 Huang
 2017/0181409 A1 6/2017 Tupin, Jr. et al.
 2017/0208775 A1 7/2017 Van Curen et al.
 2018/0098525 A1 4/2018 Lee et al.
 2019/0183094 A1 6/2019 Arnett
 2020/0015456 A1 1/2020 Van Curen et al.
 2022/0000074 A1 1/2022 Mott et al.
 2022/0151207 A1 5/2022 Mott et al.
 2022/0367059 A1 11/2022 Mott et al.

FOREIGN PATENT DOCUMENTS

CN 304334808 10/2017
 CN 305133577 4/2019
 CN 305855591 6/2020
 DE 202005013615 U1 11/2005
 EM 007428107-0001 2/2020

GB 9007428099-0001 12/2019
 JP 1602690 S 4/2018
 WO WO 2020/264360 A1 12/2020
 WO WO 2021/087376 A1 5/2021
 WO WO 2022/104048 A1 5/2022
 WO WO 2022/225945 A1 10/2022

OTHER PUBLICATIONS

“Whistle GPS—Whistle Store amazon” available Sep. 23, 2021, [online], [site visited Mar. 15, 2023]. Retrieved from Internet, URL: https://www.amazon.com/Whistle-GPS-Health-Fitness-Rechargeable/dp/B09H14JQK7/ref=asc_df_B09H14JQK7/ (Year: 2021).*

“Whistle GO Explore GPS” available Jul. 23, 2019, [online], [site visited Mar. 15, 2023]. Retrieved from Internet, URL: <https://www.amazon.com/Whistle-Explore-Ultimate-Location-Tracker/dp/B07TC75S8X?th=1> (Year: 2019).*

U.S. Appl. No. 17/525,335, filed Nov. 12, 2021.
 U.S. Appl. No. 29/868,249, filed Nov. 28, 2022.
 U.S. Appl. No. 29/868,251, filed Nov. 28, 2022.
 U.S. Appl. No. 29/696,311, filed Jun. 26, 2019.
 U.S. Appl. No. 29/696,315, filed Jun. 26, 2019.
 U.S. Appl. No. 17/525,335, dated Feb. 13, 2023 Non-Final Rejection.
 U.S. Appl. No. 17/525,335, dated Aug. 29, 2022 Request for Continued Examination (RCE).
 U.S. Appl. No. 17/525,335, dated Aug. 17, 2022 Advisory Action.
 U.S. Appl. No. 17/525,335, dated Aug. 17, 2022 After Final Consideration Program Decision.
 U.S. Appl. No. 17/525,335, dated Jul. 26, 2022 After Final Consideration Program Request.
 U.S. Appl. No. 17/525,335, dated Jul. 26, 2022 Response after Final Action.
 U.S. Appl. No. 17/525,335, dated May 27, 2022 Final Office Action.
 U.S. Appl. No. 17/525,335, dated May 16, 2022 Response after Non-Final Office Action.
 U.S. Appl. No. 17/525,335, dated Feb. 17, 2022 Non-Final Office Action.
 U.S. Appl. No. 29/696,311, dated Mar. 18, 2022 Issue Fee Payment.
 U.S. Appl. No. 29/696,311, dated Jan. 13, 2022 Notice of Allowance.
 U.S. Appl. No. 29/696,311, dated Aug. 17, 2021 Response after Non-Final Office Action.
 U.S. Appl. No. 29/696,311, dated May 28, 2021 Non-Final Office Action.
 U.S. Appl. No. 29/696,315, dated Sep. 1, 2021 Issue Fee Payment.
 U.S. Appl. No. 29/696,315, dated Jun. 3, 2021 Notice of Allowance.
 International Search Report and Written Opinion dated Feb. 8, 2022 in International Application No. PCT/US2021/059124.
 U.S. Appl. No. 29/696,311, dated Aug. 17, 2021 Response to Non-Final Office Action.
 U.S. Appl. No. 29/696,315, dated Notice of Allowance.
 “Amazon.com, Inc. Web page, JPO’s Prior Design Ref. No. HJ27044048,” Date first available, Oct. 5, 2015, 7 pp.
 “Whistle 3 GPS Pet Tracker & Activity, Available for sale Jun. 8, 2007 [online],” Amazon.com, [Retrieved on Jul. 1, 2018], Available from internet URL: https://www.amazon.com/dp/b01n7mwkwy/ref=sspa_dk_detail_1?pcs=1,9 pages.
 U.S. Appl. No. 29/580,756, filed Oct. 12, 2016, 6 pgs.
 Whistle Fit, published 2018 [online], [retrieved on Jul. 17, 2018], Available from internet, URL: <https://www.petinsight.com/whistle-fit/>, 5 pgs.
 Whistle Go—Health & Location Tracker for Pets—Waterproof GPS Pet Tracker, published Jul. 23, 2019 [online][retrieved May 17, 2021], Available from Internet, URL: https://www.amazon.com/Whistle-100-04101-00-Health-Location-Tracker/dp/B07TB5M9FC/ref=sr_1_12?dchild=1&keywords=whistle+dog&qid=1621017829&sr=8-12.
 Whistle Go Explore—Ultimate Health & Location Tracker, published Jul. 23, 2019 [online][retrieved May 17, 2021], Available from Internet, URL: <https://www.amazon.com/Whistle-Explore->

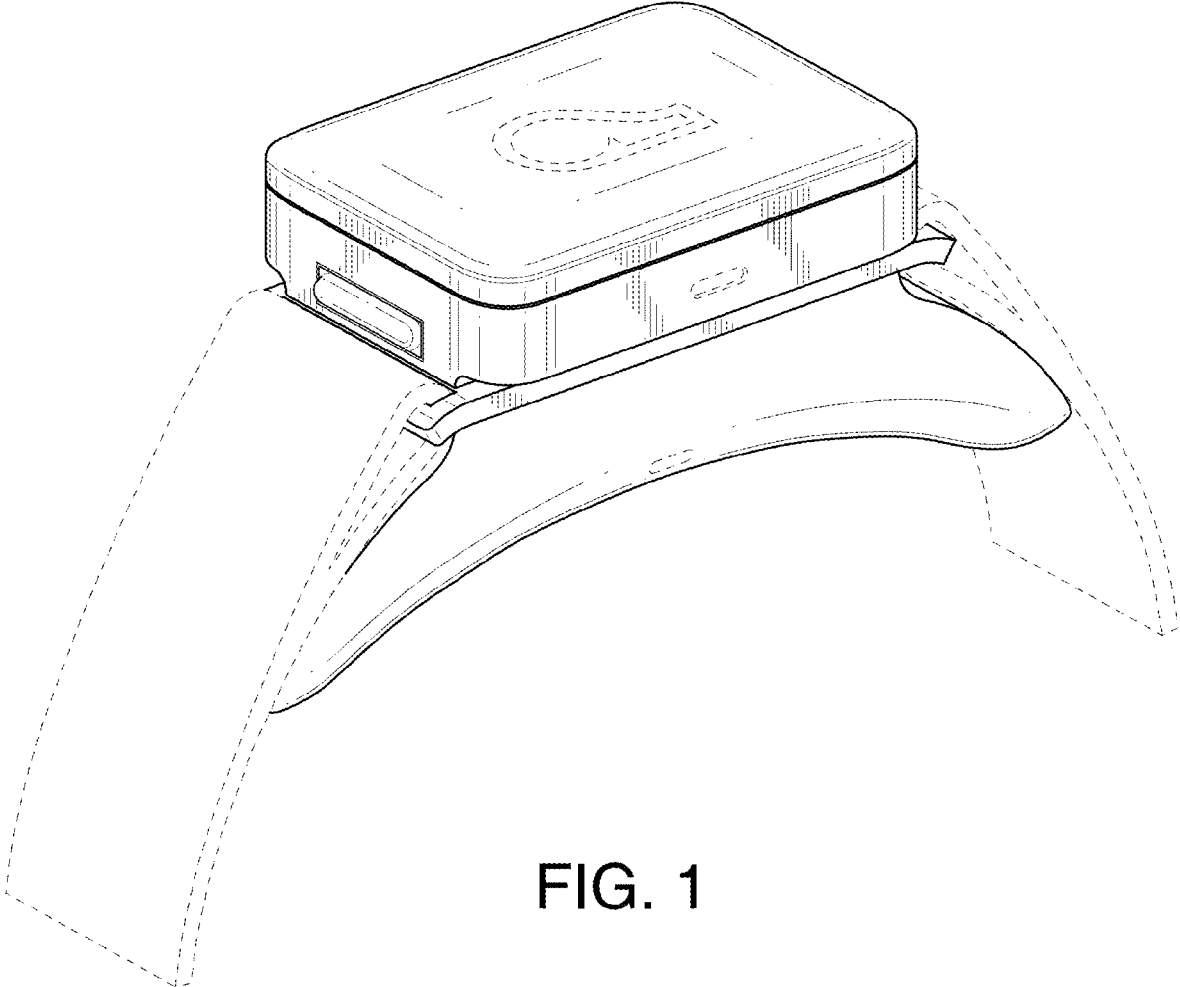


FIG. 1

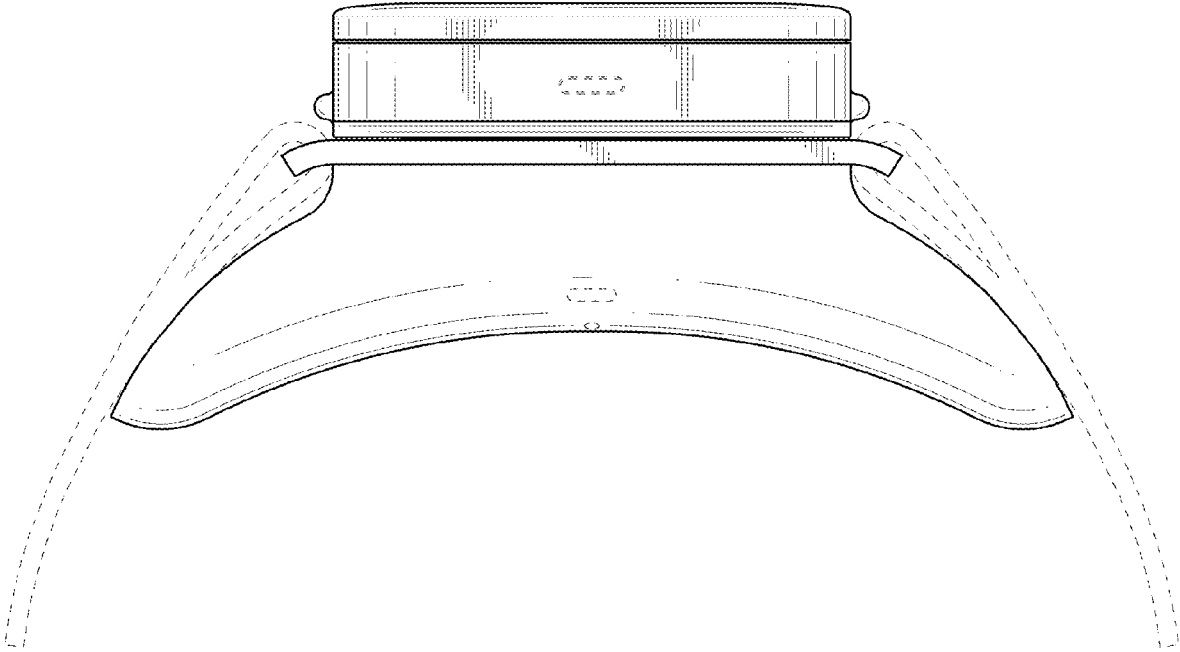


FIG. 2

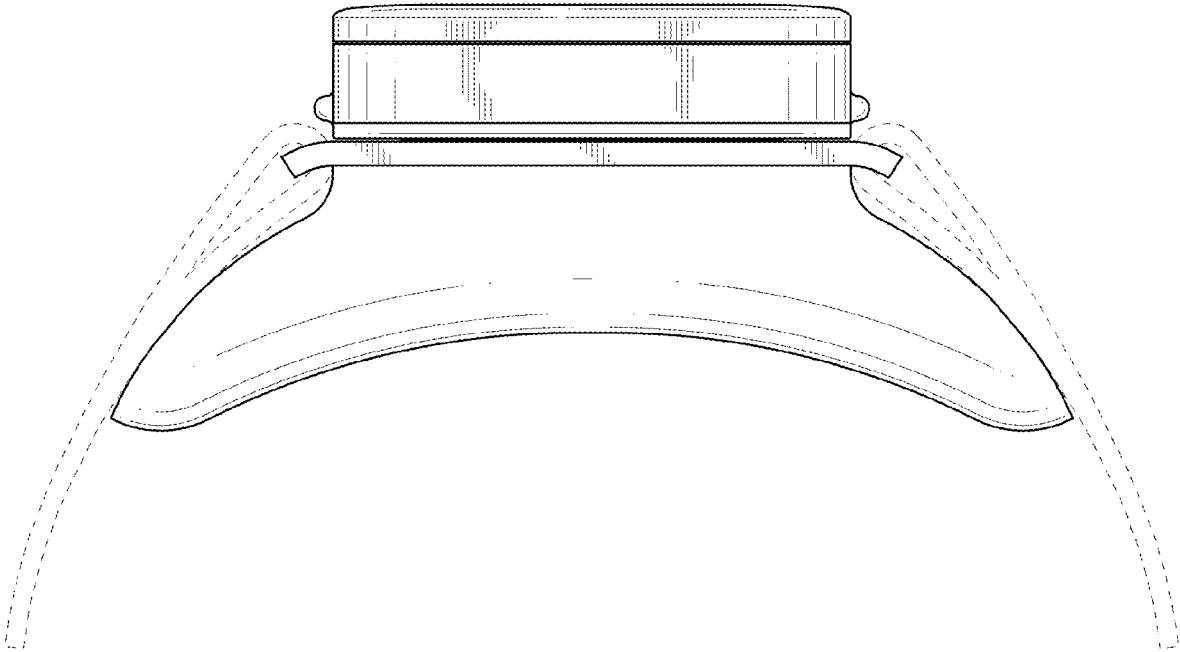


FIG. 3

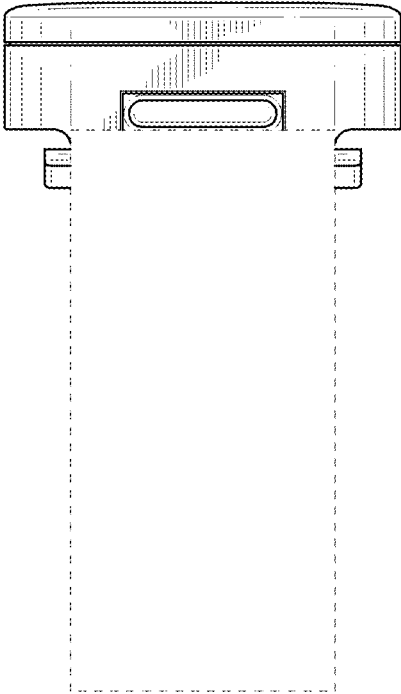


FIG. 4

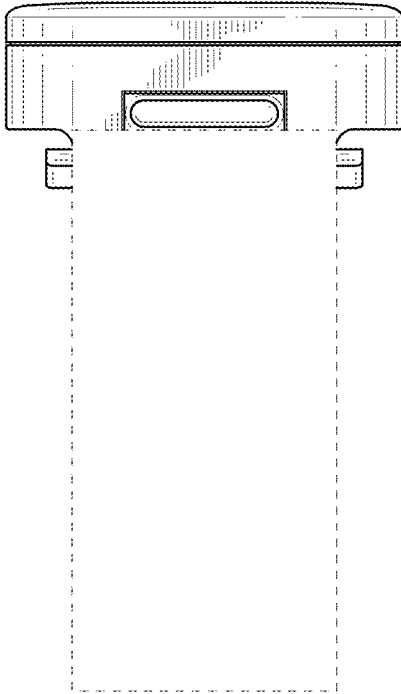


FIG. 5

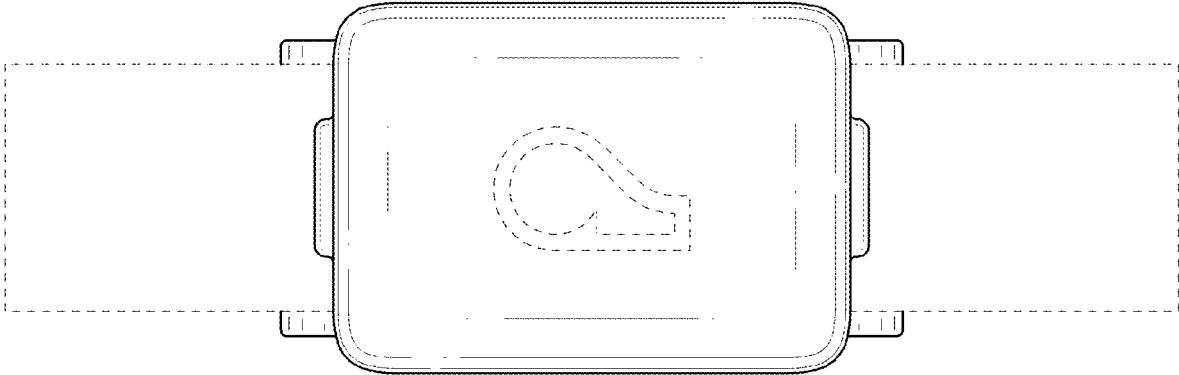


FIG. 6

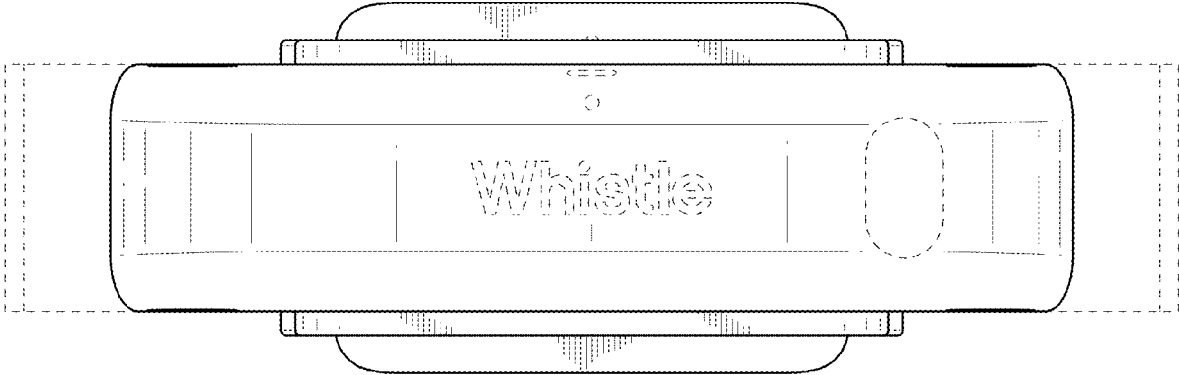


FIG. 7