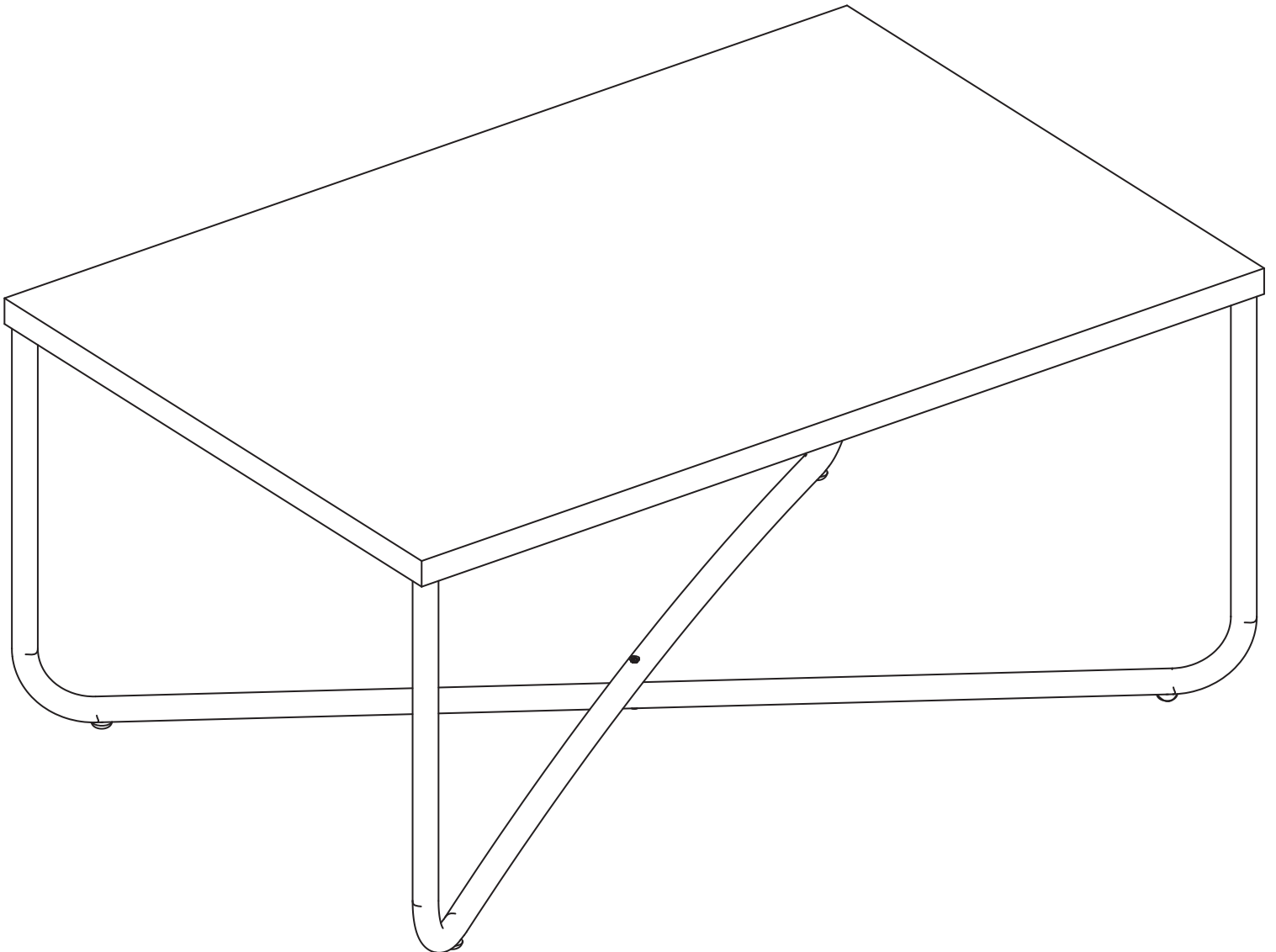


CROSS LEGS COFFEE TABLE CRO-119

Carefully review assembly and care instructions before using this product. Save this document for future reference.
Assemble components on a soft, clean surface to avoid scratching or damaging the finish.



! HELPFUL HINTS

Sunnydaze Decor advises reviewing this manual fully, and assembling the unit soon after purchase. Check that all parts are accounted for and familiarize yourself with the assembly before beginning.

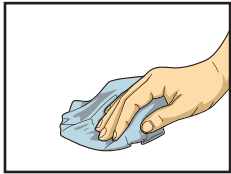
SAVE THIS MANUAL FOR FUTURE REFERENCE.

INTRODUCTION

Read the manual carefully to ensure you fully understand all use, care, assembly, and safety information.



Read this manual carefully and follow the assembly instructions in the order listed. Pay close attention to assembly drawings.



Regularly clean with a clean microfiber cloth to prevent dust accumulation.



Do not paint the unit.
Do not use abrasive materials or cleaners to clean the furniture; only use a slightly moistened cloth.



Indoor use only.
Do not expose the furniture to heat or humidity.



When cleaning nearby the furniture, do not allow contact with water or cleaners as it may deteriorate the furniture.

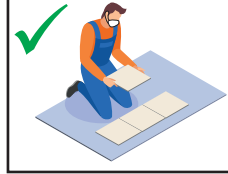


Do not allow metal components to come in contact with water or cleaners as it may cause rust and staining.



Assemble on a soft, flat, clean, and dry surface.

Use a soft, protective barrier when assembling the furniture.



TIP: Use the box carton as a protective layer to separate and protect the parts from scratches and other damage during assembly.



Do not push or drag furniture as doing so may damage the unit.
Only move furniture when it is empty.

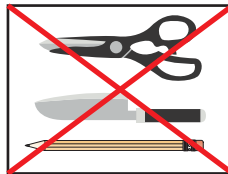


Always ask for help when moving furniture.

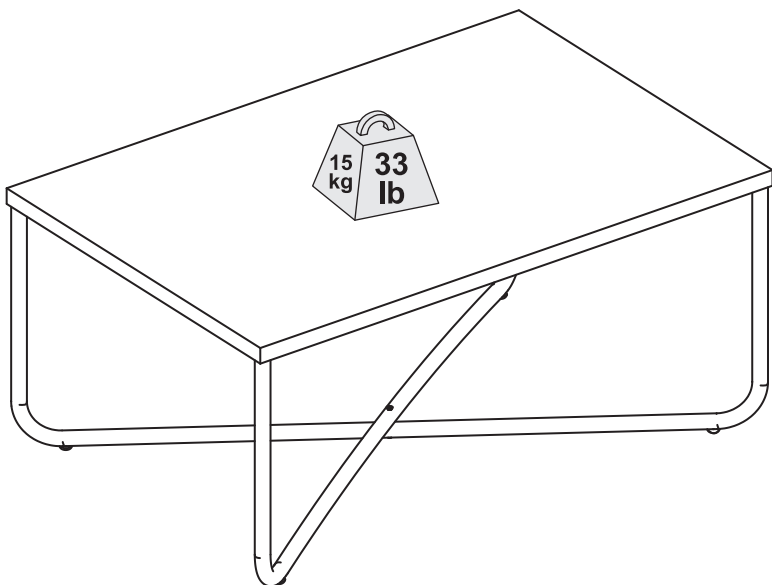


Avoid Accidents - Do not climb, sit or stand on the furniture.

Do not allow children to play on or inside the furniture.



Keep sharp objects away as they may scratch or damage the unit.
Do not use the furniture as a writing surface without a padded barrier.



WEIGHT CAPACITY

Please pay attention to the maximum weight supported by this unit.

Always ensure weight is evenly distributed.

To ensure the quality of the product, take care not to exceed the weight capacity.

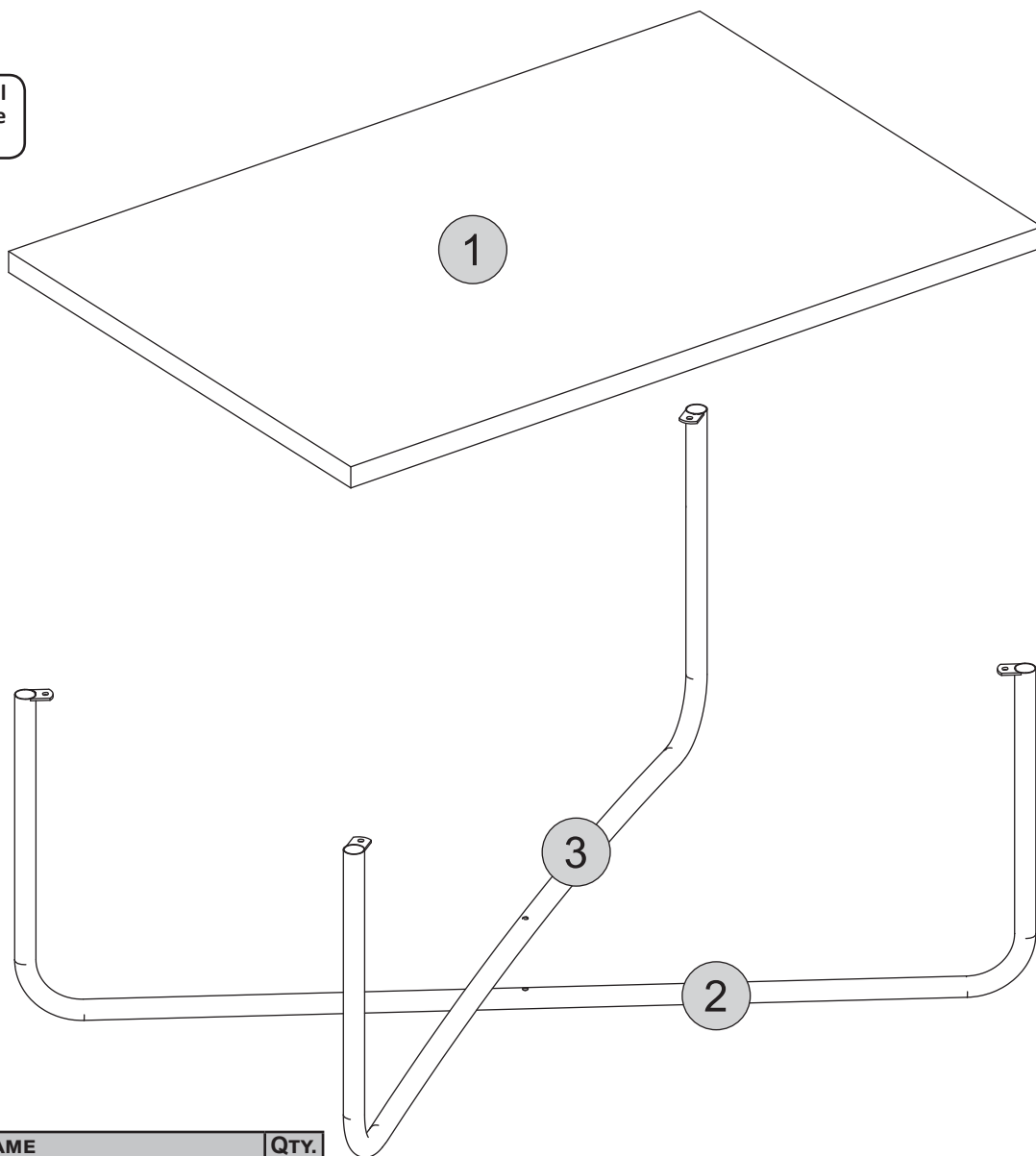
! NOTICE:

Manufacturer and seller expressly disclaim any and all liability from personal injury, property damage or loss, whether direct or indirect, or incidental, resulting from the incorrect attachment, improper use, inadequate maintenance, or neglect of this product.

COMPONENTS



Inspect packaging to ensure all parts are accounted for before disposing of packing materials.



No.	PART NAME	QTY.
1	Top Panel	1
2	Bottom Leg	1
3	Top Leg	1

No.	HARDWARE	QTY.
A	Protective Foot	4
B	M4x20mm Mating Screw	1
C	M4x27mm Chicago Bolt	1
D	M4x14mm Wood Screw	4

TOOLS REQUIRED (not included)	
	Phillips Screwdriver
	Rubber Mallet

! WARNING !

CHOKING HAZARD — This item contains small parts that can be swallowed. Keep children and pets away during assembly.

! NOTICE:

Manufacturer and seller expressly disclaim any and all liability from personal injury, property damage or loss, whether direct or indirect, or incidental, resulting from the incorrect attachment, improper use, inadequate maintenance, or neglect of this product.

ASSEMBLY

STEP 1

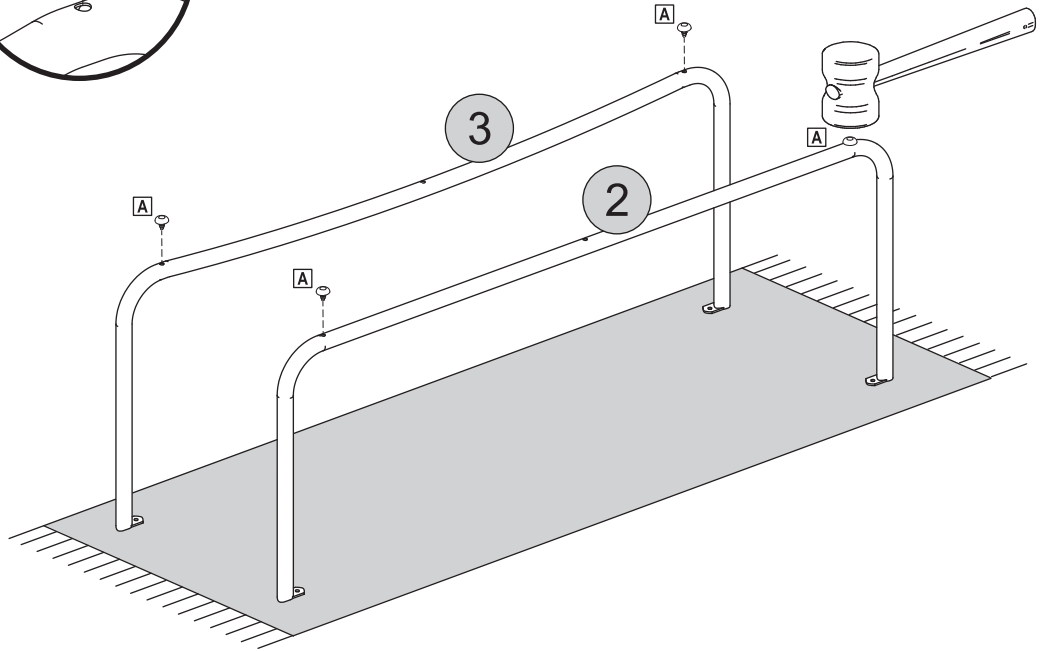
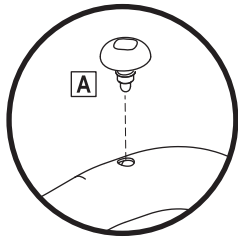
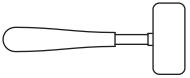
PARTS REQUIRED

2 x1 3 x1

HARDWARE REQUIRED

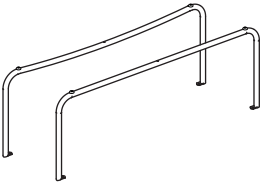
A  x4

TOOLS REQUIRED



STEP 2

PARTS REQUIRED

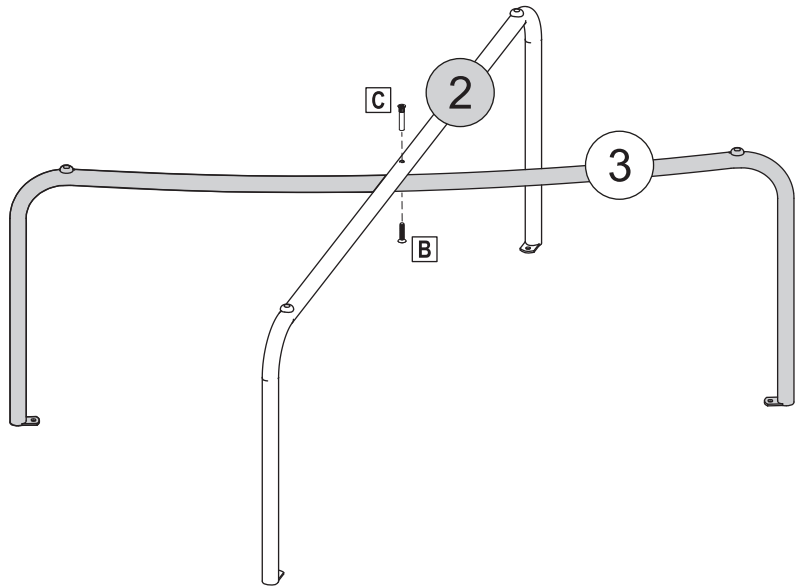
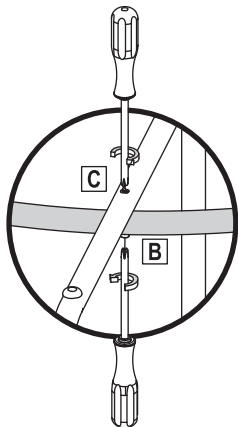


HARDWARE REQUIRED

B  M4x20mm x1

C  M4x27mm x1

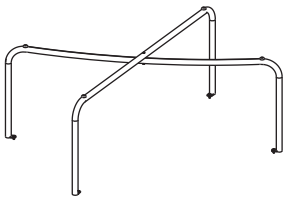
TOOLS REQUIRED




STEP 3

PARTS REQUIRED

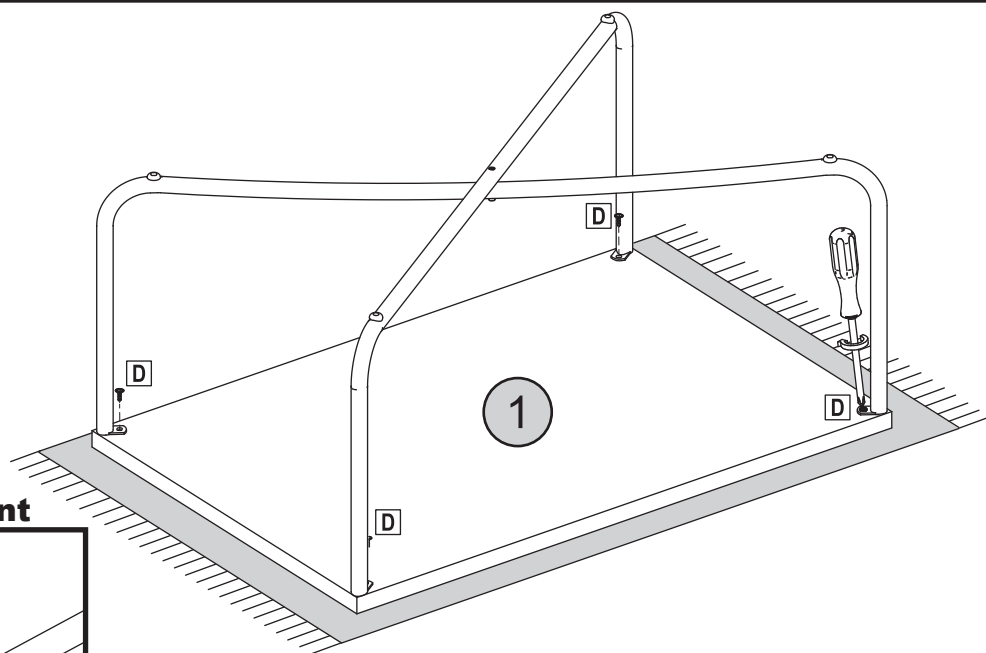
1 x1



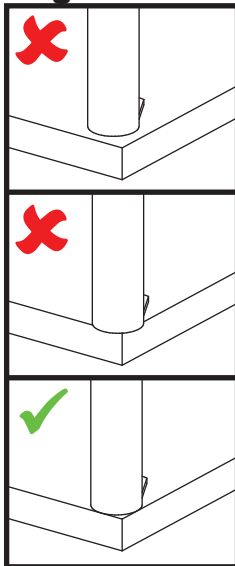
HARDWARE REQUIRED

D  M4x14mm x4

TOOLS REQUIRED

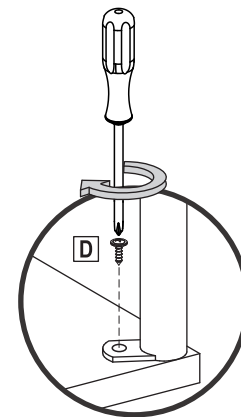


Alignment



IMPORTANT:

Ensure the legs are aligned with the top as indicated in the diagram to the left.



SAFETY STATEMENTS & WARNINGS

- For residential use only. Not for commercial or industrial use.
- For indoor use only.
- Ensure all fittings are tight before use. Periodically check fittings to ensure they are tight.
- Only use this unit on a flat, level surface.
- Do not sit, stand or climb on the unit.
- Supervise children; never allow children to climb or sit on this unit as it may tip over and cause serious injury.
- Do not place liquids or hot items directly on the furniture.
- Never use chemical cleaning products or polishes as doing so may damage the finish.
- Do not exceed the weight capacity of the furniture.
- Do not place the unit in direct sunlight.
- Avoid placing the unit near heating or cooling vents as forced air is very drying and can damage the unit.
- Do not write on furniture without a padded barrier to protect the surface.

Any modification to the product or failure to follow recommended care will void the product warranty.

NOTICE:

Manufacturer and seller expressly disclaim any and all liability from personal injury, property damage or loss, whether direct or indirect, or incidental, resulting from the incorrect attachment, improper use, inadequate maintenance, or neglect of this product.