

इंटरनेट

मानक

Disclosure to Promote the Right To Information

Whereas the Parliament of India has set out to provide a practical regime of right to information for citizens to secure access to information under the control of public authorities, in order to promote transparency and accountability in the working of every public authority, and whereas the attached publication of the Bureau of Indian Standards is of particular interest to the public, particularly disadvantaged communities and those engaged in the pursuit of education and knowledge, the attached public safety standard is made available to promote the timely dissemination of this information in an accurate manner to the public.

“जानने का अधिकार, जीने का अधिकार”

Mazdoor Kisan Shakti Sangathan

“The Right to Information, The Right to Live”

“पुराने को छोड़ नये के तरफ”

Jawaharlal Nehru

“Step Out From the Old to the New”

IS/IEC 60320-1 (2001): Appliance couplers for household and similar general purposes, Part 1: General requirements [ETD 14: Electrical Wiring Accessories]



“ज्ञान से एक नये भारत का निर्माण”

Satyanarayan Gangaram Pitroda

“Invent a New India Using Knowledge”



“ज्ञान एक ऐसा खजाना है जो कभी चुराया नहीं जा सकता है”

Bhartrhari—Nitiśatakam

“Knowledge is such a treasure which cannot be stolen”

BLANK PAGE



भारतीय मानक

घरेलू और ऐसे ही सामान्य प्रयोजनों के लिए साधित्र युग्मक

भाग 1 सामान्य अपेक्षाएँ

Indian Standard

**APPLIANCE COUPLERS FOR HOUSEHOLD AND
SIMILAR GENERAL PURPOSES**

PART 1 GENERAL REQUIREMENTS

ICS 29.120.30

© BIS 2007

BUREAU OF INDIAN STANDARDS
MANAK BHAVAN, 9 BAHADUR SHAH ZAFAR MARG
NEW DELHI 110002

NATIONAL FOREWORD

This Indian Standard (Part 1) which is identical with IEC 60320-1 : 2001 'Appliance couplers for household and similar general purposes — Part 1: General requirements' issued by the International Electrotechnical Commission (IEC) was adopted by the Bureau of Indian Standards on the recommendation of the Electrical Wiring Accessories Sectional Committee and approval of the Electrotechnical Division Council.

The text of IEC Standard has been approved as suitable for publication as an Indian Standard without deviations. Certain conventions are, however, not identical to those used in Indian Standards. Attention is particularly drawn to the following:

- a) Wherever the words 'International Standard' appear referring to this standard, they should be read as 'Indian Standard'.
- b) Comma (,) has been used as a decimal marker, while in Indian Standards, the current practice is to use a point (.) as the decimal marker.

In this adopted standard, reference appears to certain International Standards for which Indian Standards also exist. The corresponding Indian Standards, which are to be substituted in their respective places, are listed below along with their degree of equivalence for the editions indicated:

<i>International Standard</i>	<i>Corresponding Indian Standard</i>	<i>Degree of Equivalence</i>
IEC 60050 (151) : 1978 International Electrotechnical Vocabulary (IEV) — Chapter 151: Electrical and magnetic devices	IS 1885 (Part 74) : 1993 Electrotechnical vocabulary: Part 74 Electrical and magnetic devices	Identical
IEC 60112 : 1979 Method for determining the comparative and the proof tracking indices of solid insulating materials under moist conditions	IS 2824 : 1975 Method for determining the comparative tracking index of solid insulating materials under moist conditions (<i>first revision</i>)	Technically Equivalent
ISO 2081 : 1986 Metallic coatings — Electroplated coatings of zinc on iron or steel	IS 1573 : 1986 Specification for electroplated coatings of zinc on iron and steel (<i>second revision</i>)	do
ISO 2093 : 1986 Electroplated coatings of tin — Specification and test methods	IS 1359 : 1992 Electroplated coatings of tin (<i>third revision</i>)	do

The technical committee responsible for the preparation of this standard has reviewed the provisions of the following International Standards referred in this adopted standard and has decided that they are acceptable for use in conjunction with this standard:

<i>International Standard</i>	<i>Title</i>
IEC 60068-2-32 : 1975	Environmental testing — Part 2-32:Tests — Test Ed: Free fall
IEC/TR 60083 : 1997	Plugs and socket-outlets for domestic and similar general use standardized in member countries of IEC
IEC 60227 (all parts)	Polyvinyl chloride insulated cables of rated voltages up to and including 450/750 V
IEC 60245 (all parts)	Rubber insulated cables — Rated voltages up to and including 450/750 V

(Continued on third cover)

CONTENTS

1	Scope	1
2	Normative references.....	1
3	Definitions	2
4	General requirements	5
5	General notes on tests	5
6	Standard ratings	6
7	Classification	7
8	Marking	7
9	Dimensions and compatibility	9
10	Protection against electric shock	12
11	Provision for earthing.....	13
12	Terminals and terminations	13
13	Construction	17
14	Moisture resistance.....	21
15	Insulation resistance and electric strength.....	21
16	Forces necessary to insert and to withdraw the connector	23
17	Operation of contacts.....	24
18	Resistance to heating of appliance couplers for hot conditions or very hot conditions.....	25
19	Breaking capacity	26
20	Normal operation	27
21	Temperature rise	28
22	Cords and their connection	28
23	Mechanical strength.....	33
24	Resistance to heat and ageing	36
25	Screws, current-carrying parts and connections	38
26	Creepage distances, clearances and distances through insulation	41
27	Resistance of insulating material to heat, fire and tracking	42
28	Resistance to rusting	45
29	Electromagnetic compatibility (EMC) requirements	45
	Annex A (normative) Routine tests for factory wired appliance couplers related to safety (protection against electric shock and correct polarity).....	111

Indian Standard

APPLIANCE COUPLERS FOR HOUSEHOLD AND SIMILAR GENERAL PURPOSES

PART 1 GENERAL REQUIREMENTS

1 Scope

This part of IEC 60320 is applicable to two-pole appliance couplers for a.c. only, with or without earthing contact, with a rated voltage not exceeding 250 V and a rated current not exceeding 16 A, for household and similar general purposes and intended for the connection of a supply cord to electrical appliances or other electrical equipment for 50 Hz or 60 Hz supply.

NOTE 1 Appliance inlets integrated or incorporated in appliances or other equipment are within the scope of this standard. The dimensional and general requirements of this standard apply to such inlets, but certain tests may not be relevant.

NOTE 2 The requirements for connectors are based on the assumption that the temperature of the pins of the corresponding appliance inlets does not exceed

- 70 °C for connectors for cold conditions;
- 120 °C for connectors for hot conditions;
- 155 °C for connectors for very hot conditions.

NOTE 3 Appliance couplers complying with this standard are suitable for use at ambient temperatures not normally exceeding 25 °C, but occasionally reaching 35 °C.

NOTE 4 Appliance couplers complying with the standard sheets in this standard are intended for the connection of equipment having no special protection against moisture. If appliance couplers are used with equipment which may be subject to spillage of liquid in normal use then protection against moisture is to be provided by the equipment.

NOTE 5 Special constructions may be required

- in locations where special conditions prevail, for example, as in ships, vehicles and the like;
- in hazardous locations, for example, where explosions are liable to occur.

2 Normative references

The following normative documents contain provisions which, through reference in this text, constitute provisions of this part of IEC 60320. For dated references, subsequent amendments to, or revisions of, any of these publications do not apply. However, parties to agreements based on this part of IEC 60320 are encouraged to investigate the possibility of applying the most recent editions of the normative documents indicated below. For undated references, the latest edition of the normative document referred to applies. Members of IEC and ISO maintain registers of currently valid International Standards.

IEC 60050(151):1978, *International Electrotechnical Vocabulary (IEV) – Chapter 151: Electrical and magnetic devices*

IEC 60068-2-32:1975, *Environmental testing – Part 2: Tests – Test Ed: Free fall*

IEC/TR 60083:1997, *Plugs and socket-outlets for domestic and similar general use standardized in member countries of IEC*

IEC 60112:1979, *Method for determining the comparative and the proof tracking indices of solid insulating materials under moist conditions*

IEC 60227 (all parts), *Polyvinyl chloride insulated cables of rated voltages up to and including 450/750 V*

IEC 60245 (all parts), *Rubber insulated cables – Rated voltages up to and including 450/750 V*

IEC 60695-2-10:2000, *Fire hazard testing – Part 2-10: Glowing/hot-wire based test methods – Glow-wire apparatus and common test procedure*

IEC 60695-2-11:2000, *Fire hazard testing – Part 2-11: Glowing/hot-wire based test methods – Glow-wire flammability test method for end-products*

IEC 60695-2-12:2000, *Fire hazard testing – Part 2-12: Glowing/hot-wire based test methods – Glow-wire flammability test method for materials*

IEC 60695-2-13:2000, *Fire hazard testing – Part 2-13: Glowing/hot-wire based test methods – Glow-wire ignitability test method for materials*

IEC 60730 (all parts), *Automatic electrical controls for household and similar use*

IEC 61058 (all parts), *Switches for appliances*

IEC 61140:1997, *Protection against electric shock – Common aspects for installation and equipment*

ISO 286-1:1988, *ISO system of limits and fits – Part 1: Bases of tolerances, deviations and fits*

ISO 1101:1983, *Technical drawings – Geometrical tolerancing – Tolerancing of form, orientation, location and run-out – Generalities, definitions, symbols, indications on drawings*

ISO 1456:1988, *Metallic coatings – Electrodeposited coatings of nickel plus chromium and of copper plus nickel plus chromium*

ISO 2081:1986, *Metallic coatings – Electroplated coatings of zinc on iron or steel*

ISO 2093:1986, *Electroplated coatings of tin – Specification and test methods*

3 Definitions

Where the terms "voltage" and "current" are used, they imply the r.m.s. values, unless otherwise specified.

For the purpose of this International Standard, the following definitions apply.

The term "**accessory**" is used as a general term covering connectors and/or appliance inlets (and, in some cases, plugs as well).

3.1

appliance coupler

means enabling the connection and disconnection at will, of a cord to an appliance or other equipment. It consists of two parts: a connector and an appliance inlet

3.2

connector

part of the appliance coupler integral with, or intended to be attached to, the cord connected to the supply

NOTE Only one cord is connected to the connector.

3.3

appliance inlet

part of the appliance coupler integrated or incorporated in the appliance or equipment or intended to be fixed to it

NOTE 1 An appliance inlet integrated in an appliance or equipment is an appliance inlet (the shroud and base of) which is formed by the housing of the appliance or equipment.

NOTE 2 An appliance inlet incorporated in an appliance or an equipment is a separate appliance inlet built in or fixed to an appliance or equipment.

3.4

rewirable accessory

accessory so constructed that the cord can be replaced

3.5

non-rewirable accessory

accessory so constructed that it forms a constructional unit with the cord which is assembled by the manufacturer of the accessory. This unit shall be such that

- the cord cannot be separated from the accessory without making this permanently useless, and
- the accessory cannot be opened by hand or by using a general purpose tool, for example a screwdriver, as intended

NOTE An accessory is considered to be permanently useless when for re-assembling the accessory, parts or materials other than the original are to be used.

3.6

cord set

assembly consisting of one cord fitted with one non-rewirable plug and one non-rewirable connector, intended for the connection of an electrical appliance or equipment to the electrical supply

3.7

base of a pin

part of the pin where it protrudes from the engagement face

3.8

retaining device

mechanical arrangement which holds a connector in proper engagement with a corresponding appliance inlet and prevents its unintentional withdrawal

3.9

rated voltage

voltage assigned to the accessory by the manufacturer

3.10

rated current

current assigned to the accessory by the manufacturer

3.11

terminal

part to which a conductor is attached, providing a re-usable connection

3.12

termination

part to which a conductor is permanently attached

3.13

screw-type terminal

terminal for the connection and subsequent disconnection of a conductor, the connection being made, directly or indirectly by, means of screws or nuts of any kind

3.14

pillar terminal

screw-type terminal in which the conductor is inserted into a hole or cavity, where it is clamped under the shank of a screw. The clamping pressure may be applied directly by the shank of the screw or through an intermediate clamping plate to which pressure is applied by the shank of the screw

3.15

screw terminal

screw-type terminal in which the conductor is clamped under the head of a screw. The clamping pressure may be applied directly by the head of the screw or through an intermediate part, such as a washer, clamping plate or anti-spread device

3.16

stud terminal

screw-type terminal in which the conductor is clamped under a nut. The clamping pressure may be applied directly by a suitably shaped nut or through an intermediate part, such as a washer, clamping plate or anti-spread device

3.17

screwless terminal

connecting terminal for the connection and subsequent disconnection of a conductor, the connection being made, directly or indirectly, by means of springs, wedges, eccentrics, cones, etc.

3.18

tapping screw

screw manufactured from a material having a higher resistance to deformation when applied by rotary insertion into a hole in a material having a lower resistance to deformation

NOTE The screw is made with a tapered thread, the taper being applied to the core diameter of the thread at the end section of the screw. The thread produced by application of the screw is formed securely only after sufficient revolutions have been made to exceed the number of threads on the tapered section.

3.19

thread-forming tapping screw

tapping screw having an uninterrupted thread. It is not a function of this thread to remove material from the hole

NOTE An example of a thread-forming tapping screw is shown in figure 28.

3.20

thread-cutting tapping screw

tapping screw having an interrupted thread. It is a function of this thread to remove material from the hole

NOTE An example of a thread-cutting tapping screw is shown in figure 29.

3.21

type test

test of one or more devices made to a certain design to show that the design meets certain requirements

[IEV 151-04-15]

3.22

routine test

test to which each individual device is subjected during and/or after manufacture to ascertain whether it complies with certain criteria

[IEV 151-04-16]

4 General requirements

Appliance couplers shall be so designed and constructed that in normal use their performance is reliable and without danger to the user or surroundings.

In general, compliance is checked by carrying out all the tests specified.

NOTE It is to be understood that appliance couplers are to be capable of meeting all the relevant requirements and tests specified in this standard.

5 General notes on tests

5.1 Tests shall be made to prove compliance with the requirements laid down in this standard, where applicable.

Tests are as follows:

- type tests shall be made on representative samples of each accessory;
- routine tests shall be conducted by the manufacturer and made on each accessory manufactured to this standard, where applicable.

Subclauses 5.2 to 5.7 are applicable to type tests and 5.8 to routine tests.

5.2 Unless otherwise specified, the specimens are tested as delivered and under normal conditions of use, at an ambient temperature of $20\text{ }^{\circ}\text{C} \pm 5\text{ }^{\circ}\text{C}$; they are tested with a.c. at 50 Hz or 60 Hz.

Non-rewirable connectors, other than those forming part of a cord set, shall be submitted with a cord at least 1 m long.

5.3 Unless otherwise specified, the tests are carried out in the order of the clauses.

5.4 Unless otherwise specified, connectors and appliance inlets are tested in conjunction with an appropriate appliance inlet or connector, complying with this standard.

5.5 For appliance inlets, three specimens are subjected to the tests specified.

For connectors, nine specimens (11 if of elastomeric or thermoplastic material) are required:

- set 1 of three specimens is subjected to the tests specified, with the exception of those of clauses 14, 15, 16, 19, 20 and 21 and of 22.4 and 24.2;
- set 2 of three specimens is subjected to the tests of clauses 14, 15, 16, 19, 20 and 21 (including the repetition of the tests of clause 16);
- set 3 of three specimens is subjected to the test of 22.4;
- set 4 of two specimens of elastomeric or thermoplastic material is subjected to the test of 24.2 (including the preconditioning according to clause 16).

For non-rewirable connectors with indicators, three additional specimens with one pole of the indicator disconnected are required for the tests of clause 15.

5.6 Appliance inlets integrated or incorporated in an appliance or equipment are tested under the conditions of use of the equipment, the number of specimens then being the same as the number of specimens of equipment required according to the relevant standard for the equipment.

5.7 Connectors and appliance inlets are considered not to comply with this standard if there are more failures than that of one specimen in one of the tests. If one specimen fails in a test, that test and those preceding which may have influenced the result of that test are repeated on another set of specimens of the number specified in 5.5, all of which shall then comply with the repeated tests.

In general, only the test which caused the failure need be repeated unless

- a) a failure occurs to one of the three specimens of set 2 specified in 5.5, when tested in accordance with clauses 19, 20 or 21, in which case the tests required by 5.5 for set 2 are repeated from clause 16 onwards; or
- b) a failure occurs to one of the three specimens of set 1 specified in 5.5, when tested in accordance with clauses 22 or 23 (except 22.4), in which case the tests required by 5.5 for set 1 are repeated from clause 18 onwards.

The applicant may submit, together with the first set of specimens, the additional set which may be wanted should one specimen fail. The testing station will then, without further request, test the additional specimens and will only reject if a further failure occurs. If the additional set of specimens is not submitted at the same time, a failure of one specimen will entail a rejection.

5.8 Routine tests are specified in annex A.

6 Standard ratings

6.1 The standard rated voltage is 250 V.

6.2 Standard rated currents are 0,2 A, 2,5 A, 6 A, 10 A and 16 A, as specified in 9.1.

Compliance with the requirements of 6.1 and 6.2 is checked by visual inspection of the marking.

7 Classification

7.1 Appliance couplers are classified:

7.1.1 According to maximum pin temperature at the base of the pins of the corresponding appliance inlet:

- appliance couplers for cold conditions (pin temperature not exceeding 70 °C);
- appliance couplers for hot conditions (pin temperature not exceeding 120 °C);
- appliance couplers for very hot conditions (pin temperature not exceeding 155 °C).

7.1.2 According to the type of equipment to be connected:

- appliance couplers for class I equipment;
- appliance couplers for class II equipment.

NOTE For a description of the classes, see IEC 61140.

7.2 Connectors are, moreover, classified according to the method of connecting the cord:

- rewirable connectors;
- non-rewirable connectors.

NOTE 1 Figure 1 shows the various types of appliance couplers standardized and their application.

NOTE 2 0,2 A appliance couplers are intended only for the connection of small hand-held class II equipment, if allowed by the relevant standard for the equipment.

NOTE 3 Appliance inlets for cold conditions are not intended to be used with heating appliances having external metal parts, the temperature rise of which may, under normal operating conditions, exceed 75 K and which might be touched in normal use by the cord.

NOTE 4 Appliance couplers for hot conditions may also be used under cold conditions; appliance couplers for very hot conditions may also be used under cold or hot conditions.

8 Marking

8.1 Connectors shall be marked with:

- rated current in amperes, except for 0,2 A connectors;
- rated voltage in volts;
- symbol for nature of supply;
- name, trade mark or identification mark of the maker or responsible vendor;
- type reference.



NOTE The type reference may be a catalogue number.

8.2 Appliance inlets other than those integrated or incorporated in an appliance or equipment shall be marked with the name, trade mark or identification mark of the maker or responsible vendor and a type reference, the latter being not visible after the appliance inlet is correctly mounted or a connector is in engagement. The marking of 0,2 A and 2,5 A appliance inlets may be visible, provided that there can be no doubt with regard to the marking of the appliance itself.

NOTE The type reference may be a catalogue number.

8.3 Connectors and appliance inlets for class II equipment shall not be marked with the symbol for class II construction.

8.4 When symbols are used, they shall be as follows:

amperes	A
volts	V
alternating current	~
earth	 or 

NOTE Preferably the symbol with a circle should be used.

For the marking of rated current and rated voltage, figures may be used alone, the figure for rated current being placed before or above that for rated voltage and separated from the latter by a line. The symbol for nature of supply shall be placed next to the marking for rated current and rated voltage.

NOTE 1 The marking for current, voltage and nature of supply may accordingly be as follows:

$$10 \text{ A } 250 \text{ V } \sim \text{ or } 10/250 \sim \text{ or } \frac{10}{250} \sim \text{ or } \left(\frac{10}{250} \right) \sim$$

NOTE 2 Lines formed by the construction of the tool are not considered as part of the marking.



8.5 The marking specified in 8.1 shall be easily discernible when the connector is wired ready for use.

NOTE The term "ready for use" does not imply that the connector is in engagement with an appliance inlet.

8.6 In non-reversible connectors, the contact positions shall be established by looking at the engagement face of the connectors as shown in figure 1 and their disposition shall be as follows:

earthing contact:	upper central position;
line contact:	lower right-hand position;
neutral contact:	lower left-hand position.

In rewirable, non-reversible connectors, terminals shall be indicated as follows:

earthing terminal:	the symbol  or 
neutral terminal:	the letter N

In non-rewirable, non-reversible connectors, no marking of contacts is necessary, but cores shall be connected as specified in 22.1.

Appliance inlets, other than those integrated or incorporated in an appliance or equipment, for use with connectors according to this subclause, shall have terminal markings to correspond with this subclause.

The marking symbol or letters shall not be placed on screws, removable washers or other removable parts.

NOTE The requirement concerning the marking of terminals and the connection of conductors has been introduced to take into account those countries which already require a polarized supply system and with regard to a possible future introduction of a unified plug and socket-outlet system, which will be to a great extent a polarized system. It is recommended that this requirement be taken into account already now in countries which at present have no polarized plug and socket-outlet system.

Rewirable connectors shall be supplied with the following instructions:

- a) a diagram illustrating the method of connection of the conductors, in particular the (excess) length of the earthing conductor and the operation of the cord anchorage;
- b) a full-scale diagram showing the length of sleeving and insulation to be stripped back;
- c) the sizes and types of suitable cords.

NOTE 1 It is essential that the connection of the earthing conductor is shown in an instructive way, preferably with sketches.

NOTE 2 These instructions need not follow connectors supplied directly to an equipment manufacturer.

8.7 The markings required by the standard shall be easily legible and durable.

8.8 Compliance with the requirements of 8.1 to 8.7 is checked by inspection and by rubbing the marking by hand for 15 s with a piece of cloth soaked with water and again for 15 s with a piece of cloth soaked with petroleum spirit.

After this test and all non-destructive tests of the standard, the marking shall remain legible. It shall not be easily possible to remove labels and they shall not show curling.

NOTE 1 The type reference may be marked in paint or ink, if necessary, protected by varnish.

NOTE 2 The petroleum spirit used should consist of a solvent hexane with a content of aromatics of maximum 0,1 volume percentage, a kauri-butanol value of 29, an initial boiling point of approximately 65 °C, a dry-point of approximately 69 °C and a density of approximately 0,68 g/cm³.

9 Dimensions and compatibility

9.1 Appliance couplers shall comply with the appropriate standard sheets as specified below, except as permitted by 9.6:

0,2 A 250 V appliance coupler for class II equipment and cold conditions:

- connector sheet C1
- appliance inlet sheet C2

2,5 A 250 V appliance coupler for class I equipment and cold conditions:

- connector sheet C5
- appliance inlet sheet C6

2,5 A 250 V appliance coupler for class II equipment and cold conditions:

- connector sheet C7
- appliance inlet, standard type..... sheets C8 and C8A
- appliance inlet, for alternative connection of the equipment to two different mains voltages..... sheet C8B

6 A 250 V appliance coupler for class II equipment and cold conditions:

- connector sheet C9
- appliance inlet sheet C10

IS/IEC 60320-1 : 2001

10 A 250 V appliance coupler for class I equipment and cold conditions:

- connector sheet C13
- appliance inlet sheet C14

10 A 250 V appliance coupler for class I equipment and hot conditions:

- connector sheet C15
- appliance inlet sheet C16

10 A 250 V appliance coupler for class I equipment and very hot conditions:

- connector sheet C15A
- appliance inlet sheet C16A

10 A 250 V appliance coupler for class II equipment and cold conditions:

- connector sheet C17
- appliance inlet sheet C18

16 A 250 V appliance coupler for class I equipment and cold conditions:

- connector sheet C19
- appliance inlet sheet C20

16 A 250 V appliance coupler for class I equipment and very hot conditions:

- connector sheet C21
- appliance inlet sheet C22

16 A 250 V appliance coupler for class II equipment and cold conditions:

- connector sheet C23
- appliance inlet sheet C24

Dimensions are checked by means of gauges or by measurement. In case of doubt, gauges shall be used.

The test is carried out at an ambient temperature of $25\text{ °C} \pm 5\text{ °C}$, both the accessories and the gauges being at this temperature.

The gauges to be used are shown in

- figure 2 for 0,2 A connectors;
- figures 4, 5 and 5A for 2,5 A connectors;
- figures 9A to 9T for other connectors and appliance inlets.

The distance from the engagement face of connectors to the point of first contact of socket contacts is checked by means of the relevant gauge shown in figure 27.

NOTE Dimensions for the fixing of appliance inlets are under consideration.

9.2 Provision, if any, for retaining the connector in the appliance inlet shall comply with standard sheet C25.

Compliance is checked by measurement.

9.3 It shall not be possible to make single-pole connections between connectors and appliance inlets.

Appliance inlets shall not allow improper connections with portable socket-outlets complying with IEC 60083.

Connectors shall not allow improper connections with plugs complying with IEC 60083.

Compliance is checked by manual test.

NOTE 1 "Improper connections" include single-pole connection and other connections which do not comply with the requirements concerning protection against electric shock.

NOTE 2 Conformity to the standard sheets ensures compliance with these requirements.

9.4 It shall not be possible to engage

- connectors for class II equipment with appliance inlets for other equipment;
- connectors for cold conditions with appliance inlets for hot conditions or very hot conditions;
- connectors for hot conditions with appliance inlets for very hot conditions;
- connectors with appliance inlets having a higher rated current than the connector.

Compliance is checked by inspection, by manual test and by means of the gauges shown in figures 6 to 9.

For 6 A, 10 A and 16 A connectors and appliance inlets, compliance is checked by means of the gauges shown in figures 9A to 9T, as applicable.

The test is carried out at an ambient temperature of $35\text{ °C} \pm 2\text{ °C}$, both the accessories and the gauges being at this temperature.

NOTE Conformity to the standard sheets ensures compliance with the requirements, other than those verified by means of the gauges shown in figures 6 to 9.

9.5 If appliance inlets are arranged countersunk in the outer surface of equipment, and if this surface is curved or inclined with respect to the axis of the appliance inlet, the arrangement shall be such that, under any circumstances, the pin ends do not protrude beyond the limiting surface of the shroud.

Compliance is checked by connecting all pins, including the earthing pin, if any, together with one pole of a contact indicator, the other pole being connected to a metal straight-edge ruler, having a width wider than the largest inside dimension of the appliance inlet, which is placed in all possible directions over the opening of the shroud. The ruler shall not come into contact with the pin ends.

NOTE 1 For 10 A and 16 A appliance inlets for class II equipment, the test shall be carried out with a simulated earthing pin.

NOTE 2 An electrical indicator with a voltage between 40 V and 50 V is used to show contact with the relevant part.

9.6 Deviations from the dimensions specified in the standard sheets may be made, but only if they provide a technical advantage and do not adversely affect the purpose and safety of appliance couplers complying with the standard sheets, especially with regard to interchangeability and non-interchangeability.

Appliance couplers with such deviations shall, however, comply with all other requirements of this standard as far as they reasonably apply.

NOTE 1 A "technical advantage" may be claimed if, for example, a connector of a given rating has to be enlarged to accommodate components such as switches or thermostats, or if, for some reason, it is necessary to prevent the use of a standard connector with the normal length or type of cord.

NOTE 2 Changes which adversely affect the contact-making ability are not allowed.

NOTE 3 It must not be possible to engage such a non-standard accessory with a complementary accessory complying with the standard sheets, but of a different current rating. Neither shall it be possible to engage it with a standardized complementary accessory of the same rating if, by so doing, live parts are rendered any more accessible than is the case with a standardized appliance coupler of the same rating or if the combination of non-standardized accessory and standard complementary accessory fails to comply with the requirements of this standard other than the dimensions in the standard sheets.

10 Protection against electric shock

10.1 Appliance couplers shall be so designed that live parts of appliance inlets are not accessible when the connector is in partial or complete engagement.

Connectors shall be so designed that live parts, and the earthing contact and parts connected thereto, are not accessible when the connector is properly assembled and wired as in normal use.

Compliance is checked by inspection and, if necessary, by a test with the standard test finger shown in figure 10. This finger is applied in every possible position, an electrical indicator being used to show contact with the relevant parts. For connectors with enclosures or bodies of elastomeric or thermoplastic material, the standard test finger is applied for 30 s with a force of 20 N at all points where yielding of the insulating material could impair the safety of the connector; this test is made at an ambient temperature of $35\text{ °C} \pm 2\text{ °C}$.

NOTE 1 An electrical indicator with a voltage between 40 V and 50 V is used to show contact with the relevant part.

NOTE 2 Conformity to the standard sheets ensures compliance with the requirements so far as the inaccessibility of contact members during insertion of a connector into an appliance inlet is concerned.

10.2 It shall not be possible to make connection between a pin of an appliance inlet and a contact of a connector as long as any of the pins is accessible.

Compliance is checked by manual test and by the test of 10.1.

NOTE Conformity to the standard sheets ensures compliance with this requirement.

10.3 It shall not be possible to remove parts preventing access to live parts without the aid of a tool.

The means for fixing these parts shall be insulated from live parts.

Bushes, if any, in the entry holes for the pins shall be adequately fixed and it shall not be possible to remove them without dismantling the connector.

Compliance is checked by inspection and by manual test.

10.4 External parts of connectors, with the exception of assembly screws and the like, shall be of insulating material. The shroud and the base of appliance inlets without earthing contact and those of 2,5 A appliance inlets with earthing contact, shall be of insulating material.

Compliance is checked by inspection.

NOTE 1 The suitability of the insulating material is checked during the insulation tests of clause 15.

NOTE 2 Lacquer or enamel is not considered to be insulating material for the purpose of 10.1 to 10.4.

11 Provision for earthing

11.1 Earthing terminals shall comply with the requirements of clause 12.

Compliance is checked by inspection and by the tests of clause 12.

11.2 Appliance couplers with earthing contact shall be so constructed that, when inserting the connector, the earth connection is made before the current-carrying contacts of the appliance inlet are energized.

When withdrawing a connector, the current-carrying contacts shall separate before the earth connection is broken.

For appliance couplers not complying with the standard sheets, compliance is checked by inspection of drawings, taking into account the effect of tolerances, and by checking the specimens against these drawings.

NOTE Conformity to the standard sheets ensures compliance with this requirement.

12 Terminals and terminations

The requirements of this clause apply only to connectors.

For appliance inlets submitted as individual accessories not integrated or incorporated in an appliance or equipment, particular requirements are under consideration.

For appliance inlets incorporated in equipment, the requirements in the appropriate IEC standard for that equipment shall apply.

12.1 General

12.1.1 Rewirable connectors shall be provided with terminals with screw clamping.

Screw-type terminals shall be of the pillar, screw or stud type or of an equally effective type.

Non-rewirable connectors shall be provided with soldered, welded, crimped or equally effective screwless connections, which shall not allow the possibility to disconnect the conductor; screwed connections shall not be used.

The end of a stranded conductor shall not be consolidated by soft soldering at places where the conductor is subject to contact pressure unless the clamping means is designed so as to obviate the risk of a bad contact due to cold flow of the solder.

12.1.2 Clamping means of terminals shall not serve to fix any other component, although they may hold the terminals in place or prevent them from turning.

12.1.3 Rewirable connectors with a rated current not exceeding 16 A shall have terminals of size 1, which can accept conductors having a nominal cross-sectional area not less than 0,75 mm² and not more than 1,5 mm².

NOTE 1 The largest diameter of a flexible 1,5 mm² conductor is 1,73 mm.

NOTE 2 The terminal size number relates to the terminal dimensions (see standard sheets C26 and C27).

Compliance is checked by inspection, by measurement and by fitting conductors having cross-sectional areas of 0,75 mm² and 1,5 mm².

12.2 Screw-type terminals

12.2.1 Screw-type terminals shall allow the conductor to be connected without special preparation.

Compliance is checked by inspection.

NOTE The term "special preparation" covers soldering of the wires of the conductor, use of cable lugs, formation of eyelets, etc., but not the reshaping of the conductor before its introduction into the terminal or the twisting of a flexible conductor to consolidate the end.

12.2.2 Screw-type terminals shall have adequate mechanical strength.

Screws and nuts for clamping the conductors shall have a metric ISO thread.

Screws shall not be of metal which is soft or liable to creep, such as zinc or aluminium.

Compliance is checked by inspection and by the tests of 12.2.4 and 12.2.8.

12.2.3 Screw-type terminals shall be resistant to corrosion.

NOTE 1 Terminals, the body of which is made of copper or a copper alloy as specified in 25.6, are considered as complying with this requirement.

NOTE 2 Terminals made of other materials are subjected to a corrosion test which is under consideration.

12.2.4 Screw-type terminals shall be so designed that they clamp the conductor reliably and between metal surfaces.

Compliance is checked by inspection and by the following test.

The terminals are fitted with conductors of the smallest and largest cross-sectional areas as specified in 12.1.3, the terminal screws being tightened with a torque equal to two-thirds of the torque specified in the appropriate column of table 8.

Each conductor is then subjected to a pull of:

- 40 N in the case of terminals of size 1,
- 50 N in the case of terminals of size 2,

applied without jerks, for 1 min, in the direction of the axis of the conductor space.

During the test, the conductor shall not move noticeably in the terminal.

12.2.5 Screw-type terminals shall be so designed that they clamp the conductor without undue damage to the conductor.

Compliance is checked by inspection of the conductors, after conductors of the smallest and of the largest cross-sectional areas specified in 12.1.3 have been clamped once and loosened, the torque applied to clamp the conductor being equal to two-thirds of the torque specified in the appropriate column of the table 8.

NOTE Stranded flexible conductors are considered as unduly damaged where more than 10 % of the strands are cut. (The value of 10 % is provisional.)

12.2.6 Screw-type terminals shall be so designed or placed that a wire of a flexible conductor cannot slip out while the clamping screws or nuts are tightened.

Compliance is checked by the following test.

Terminals are fitted with conductors having the composition as shown in table 1.

Table 1 – Composition of conductors

Terminal size	Nominal conductor cross-section mm ²	Number of wires and nominal diameter of wires of the flexible conductor mm
1	1,5	30 × 0,25
2	2,5	50 × 0,25

Before insertion into the terminal, flexible conductors are twisted in one direction, so that there is a uniform twist of one complete turn in a length of approximately 1 cm.

The conductor is inserted into the clamping means over the minimum distance prescribed or, where no distance is prescribed, until the conductor just projects from the far side of the terminal and in the position most likely to assist the wire to escape. The clamping screw is then tightened with a torque equal to two-thirds of the torque specified in the appropriate column of table 8.

The test is repeated with a new conductor which is twisted as before, but in the opposite direction.

After the test, no wire of the conductor shall have escaped from the clamping means.

12.2.7 Screw-type terminals shall be so designed or placed that, in normal use, the temperature occurring at the point where the conductor is clamped, is not excessive; in addition, the terminals shall not attain temperatures such that the insulating properties of adjacent parts or the insulation of the conductors are impaired.

Compliance is checked by the temperature-rise test of clause 21.

12.2.8 Screw-type terminals shall be so fixed or located within the connector that when the clamping screws or nuts are tightened or loosened, the terminals shall not work loose and creepage distances and clearances shall not be reduced below the values specified.

NOTE 1 These requirements do not imply the terminals should be so designed that their rotation or displacement is prevented, but any movement should be sufficiently limited so as to prevent non-compliance with this standard.

NOTE 2 The use of sealing compound or resin is considered to be sufficient for preventing a terminal from working loose, provided that

- the sealing compound or resin is not subject to stress during normal use, and
- the effectiveness of the sealing compound or resin is not impaired by temperatures attained by the terminal under the most unfavourable conditions as specified in this standard.

Compliance is checked by inspection, by measurement and by the following test.

A solid rigid copper conductor of 1,5 mm² cross-sectional area (diameter 1,45 mm) is placed in the terminal.

Screws and nuts are tightened and loosened five times by means of a suitable test screwdriver or spanner, the torque applied when tightening being equal to the torque specified in the appropriate column of table 8.

The conductor is moved each time the screw or nut is loosened.

During the test, terminals shall not work loose and there shall be no damage, such as breakage of screws or damage to the head slots, threads, washers or stirrups, that will impair the further use of the terminals.

The shape of the blade of the test screwdriver shall suit the head of the screw to be tested. The screws and nuts shall not be tightened in jerks.

12.2.9 Screw-type earthing terminals shall be of the same size as the corresponding terminals for the current-carrying conductors.

Compliance is checked by inspection.

12.2.10 Clamping screws or nuts of screw-type earthing terminals shall be adequately locked against accidental loosening and it shall not be possible to loosen them without the aid of a tool.

Compliance is checked by inspection and by manual test.

NOTE In general, the designs commonly used for current-carrying terminals, other than certain designs of terminals of the pillar type, provide sufficient resiliency to comply with this requirement; for other designs, special provisions, such as the use of an adequately resilient part, which is not likely to be removed inadvertently, may be necessary.

12.2.11 Screw-type earthing terminals shall be such that there is no risk of corrosion resulting from contact between these parts and the copper of the earthing conductor or any other metal that is in contact with these parts.

The body of earthing terminals shall be of brass or other metal no less resistant to corrosion.

Compliance is checked by inspection.

NOTE 1 Screws or nuts of plated steel withstanding the relevant corrosion test are considered to be of a metal not less resistant to corrosion than brass.

NOTE 2 A test for checking the resistance to corrosion is under consideration.

12.2.12 For pillar terminals, the distance between the clamping screw and the end of the conductor when fully inserted, shall be not less than the distance specified in standard sheet C26.

The minimum distance between the clamping screw and the end of the conductor applies only to pillar terminals through which the conductor cannot pass completely.

Compliance is checked by measurement, after a solid conductor of 1,5 mm² cross-sectional area (diameter 1,45 mm) has been fully inserted and fully clamped.

13 Construction

13.1 Appliance couplers shall be so designed that there is no risk of accidental contact between the earthing contact of the appliance inlet and the current-carrying contacts of the connector.

Compliance is checked by inspection.

NOTE Conformity to the standard sheets ensures compliance with this requirement.

13.2 Screws which fix a part providing protection against electric shock, for example the part covering the contacts of a connector, shall be adequately locked against loosening.

Compliance is checked by inspection and by the tests of clauses 18, 20 and 23.

13.3 Pins of appliance inlets and contacts of connectors shall be locked against rotation.

Compliance is checked by inspection and by manual test.

NOTE Clamping screws may serve to prevent contacts from rotating.

13.4 Pins of appliance inlets shall be securely retained and shall have adequate mechanical strength. It shall not be possible to remove them without the aid of a tool and they shall be surrounded by a shroud.

NOTE 1 This requirement does not exclude pins which are to some extent floating.

NOTE 2 The extent of permissible floating is not checked by measurement, but by using a gauge.

Compliance is checked by inspection, by manual test and, for non-solid pins, by the following test which is made after all other tests have been completed.

The shroud is removed from the appliance inlet and the pin supported as shown in figure 11.

A force of 100 N is exerted on the pin for 1 min in a direction perpendicular to the axis of the pin, by means of a steel rod having a diameter of 4,8 mm, the axis of which is also at right angles to the axis of the pin.

After the test, there shall be no significant alteration in the shape of the pin.

The security of the pin retention is checked by inspection and, in case of doubt, by the following test.

The specimen is heated to its appropriate temperature class given in 7.1.1 for 1 h and maintained at this temperature for the duration of the test including the 5 min period after removal of the test load.

The appliance inlet is held firmly in such a manner that there will be no undue squeezing or distortion of the body, and the means of holding shall not assist in maintaining the pins in their original position.

Each pin is subjected to a force of $60 \text{ N} \pm 0,6 \text{ N}$, applied without jerks, in a direction along the axis of the pin and maintained at this value for a period of 60 s.

For all pins the force is applied, first in the direction away from the base of the appliance inlet, and then in the direction towards the base of the appliance inlet.

The attachment of the pins is deemed to be satisfactory if there is no movement exceeding 2,5 mm during the test on any pin, and provided that within 5 min after removal of the pushing-in test force or within 5 min after the removal of the pulling-out test force, all pins remain within the tolerances specified in the relevant standard sheet.

13.5 Contacts of connectors shall be self-adjusting so as to provide adequate contact pressure.

For connectors other than 0,2 A connectors, self-adjustment of the contacts shall not depend upon the resiliency of insulating material.

Compliance is checked by inspection and by the tests of clauses 16 to 21 inclusive.

13.6 The enclosure of rewirable connectors shall consist of more than one part and shall completely enclose the terminals and the ends of the cord, at least as far as to the point from which the sheath has to be removed.

NOTE Parts of the enclosure linked together by flexible means are considered to be separate parts.

The construction shall be such that, from the point of separation of the cores, the conductors can be properly connected and that, when the connector is assembled and wired as in normal use, there is no risk of

- pressing the cores together in such a way that it causes damage to the core insulation, likely to result in a break-down of the insulation;
- a core, the conductor of which is connected to a live terminal, being likely to be pressed against accessible metal parts;
- a core, the conductor of which is connected to the earthing terminals, being likely to be pressed against live parts.

13.7 For rewirable connectors, it shall not be possible to assemble the connector in such a way that the terminals are enclosed and the contacts are accessible.

NOTE This requirement excludes the use of separate front pieces enclosing only the contacts.

13.8 Parts of the body of connectors shall be reliably fixed to one another, and it shall not be possible to dismantle the connector without the aid of a tool.

For rewirable connectors there shall be separate independent means for fixing and locating the parts of the body with respect to each other, at least one of which, for example a screw, can only be operated with the aid of a tool; thread-cutting screws shall not be used for this purpose.

The resiliency of the contacts shall not depend upon the assembly of the parts of the body.

Partial loosening of assembly screws or the like shall not allow the detachment of parts providing protection against electric shock.

Compliance with the requirements of 13.6 to 13.8 is checked by inspection, by manual test and by the test of 23.7.

NOTE 1 The requirement that it shall not be possible to dismantle the connectors without the aid of a tool does not necessarily mean that their component parts should be fixed to the enclosure.

NOTE 2 The requirement with regard to fixing and locating does not preclude the use of one fixing and one locating means.

13.9 For connectors, the earthing contact shall be fixed to the body. If the earthing contact and the earthing terminal are not in one piece, the various parts shall be fixed together by riveting, welding or in a similar reliable manner.

The connection between the earthing contact and the earthing terminal shall be of metal which is resistant to corrosion.

Compliance is checked by inspection and, if necessary, by special tests.

NOTE 1 This requirement does not exclude earthing contacts which are to some extent floating.

NOTE 2 The extent of permissible floating is not checked by measurement but by using a gauge.

13.10 Terminals of rewirable accessories and terminations of non-rewirable accessories shall be so located or shielded that loose wires of a conductor in the accessory will not present a risk of electric shock.

For non-rewirable moulded-on accessories, means shall be provided to prevent loose wires of a conductor from reducing the minimum isolation distance requirements between such wires and all accessible external surfaces of the accessory, with the exception of the engagement face of the inlet.

Compliance is checked by the following:

- for rewirable accessories the test of 13.10.1;
- for non-rewirable non-moulded-on accessories the test of 13.10.2;
- for non-rewirable moulded-on accessories by verification and inspection according to 13.10.3.

13.10.1 A length of 6 mm of insulation is removed from the end of a flexible conductor, having a cross-sectional area of 0,75 mm². One wire of the flexible conductor is left free and the remaining wires are fully inserted into and clamped in the terminal, as for normal use.

The free wire is bent, without tearing the insulation back, in every possible direction, but without making sharp bends around barriers.

NOTE The prohibition against making sharp bends around barriers does not imply that the free wire has to be kept straight during the test. Sharp bends, moreover, are made if it is considered likely that such bends can occur during the normal assembly of the accessory, for example when a cover is pushed on.

The free wire of a conductor connected to a live terminal shall not touch any accessible metal part or be able to emerge from the enclosure when the accessory has been assembled.

The free wire of a conductor connected to an earthing terminal shall not touch a live part.

If necessary the test is repeated with the free wire in another position.

13.10.2 A length of insulation equivalent to the maximum designed stripping length declared by the manufacturer plus 2 mm is removed from the end of a flexible conductor having the cross-sectional area as fitted. One wire of the flexible conductor is left free in the worst position whilst the remaining wires are terminated in a manner as used in the construction of the accessory.

The free wire is bent, without tearing the insulation back, in every possible direction but without making sharp bends around barriers.

NOTE The prohibition against making sharp bends around barriers does not imply that the free wire has to be kept straight during the test. Sharp bends, moreover, are made if it is considered likely that such bends can occur during the normal assembly of the accessory, for example when a cover is pushed on.

The free wire of a conductor connected to a live termination shall not touch any accessible metal part or reduce the creepage distance and clearance through any constructional gap to the external surface below 1,5 mm.

The free wire of a conductor connected to an earth termination shall not touch any live parts.

13.10.3 Non-rewirable moulded-on accessories shall be inspected to verify that there are means to prevent stray wires of the conductor and/or live parts reducing the minimum distance through insulation to the external accessible surface (with the exception of the engagement face of inlets) below 1,5 mm.

NOTE The verification of means may require the checking of the product construction or assembly method.

13.11 Connectors without earthing contact and 2,5 A connectors with earthing contact shall be part of a cord set.

Compliance is checked by inspection.

13.12 Fuses, relays, thermostats and thermal cut-outs shall not be incorporated in connectors complying with the standard sheets.

Fuses, relays, thermostats and thermal cut-outs incorporated in appliance inlets shall comply with the relevant IEC standards.

Switches and energy regulators incorporated in connectors or appliance inlets shall comply with IEC 61058 and IEC 60730 respectively.

Where an appliance inlet is integrated or incorporated in an appliance or equipment, then that part which can be identified as the appliance inlet, by reference to the relevant standard sheet, shall comply with the requirements of this standard.

Compliance is checked by inspection and by testing the switches, fuses, relays, thermostats, thermal cut-outs and energy regulators according to the relevant IEC standard.

14 Moisture resistance

Appliance couplers shall be proof against humid conditions which may occur in normal use.

NOTE If such couplers are used with equipment which is subject to spillage of liquid in normal use then the protection against moisture shall be provided by the equipment.

Compliance is checked by the humidity treatment described in this clause, followed immediately by the tests of clause 15.

Connectors and appliance inlets are not in engagement when subjected to the humidity treatment; rewirable connectors are not fitted with a cord.

The humidity treatment is carried out in a humidity cabinet containing air with a relative humidity maintained between 91 % and 95 %. The temperature of the air, at all places where specimens can be located, is maintained within ± 1 °C of any convenient value t °C between 20 °C and 30 °C.

Before being placed in the humidity cabinet, the specimens are brought to a temperature between t °C and $(t + 4)$ °C.

The specimens are kept in the cabinet for

- 168 h (7 days) for connectors with earthing contact and for appliance inlets with earthing contact, which are submitted as individual accessories, not incorporated in other equipment;
- 48 h (2 days) in all other cases.

NOTE 1 In most cases, the specimens may be brought to the specified temperature by keeping them at this temperature for at least 4 h before the humidity treatment.

NOTE 2 A relative humidity between 91 % and 95 % can be obtained by placing in the humidity cabinet a saturated solution of sodium sulphate (Na_2SO_4) or potassium nitrate (KNO_3) in water, having a sufficiently large contact surface with the air.

NOTE 3 In order to achieve specified conditions within the cabinet, it is necessary to ensure constant circulation of the air within and, in general, to use a cabinet which is thermally insulated.

After this treatment, the specimen shall show no damage within the meaning of this standard.

15 Insulation resistance and electric strength

15.1 The insulation resistance and the electric strength of appliance couplers shall be adequate.

Compliance is checked by the tests of 15.2 and 15.3, these tests being made immediately after the test of clause 14, in the humidity cabinet or in the room in which the specimens were brought to the prescribed temperature.

Indicators which might otherwise be damaged by the tests of 15.2 and 15.3, such as neon lamps, shall be disconnected at one pole prior to testing.

15.2 The insulation resistance is measured with a d.c. voltage of approximately 500 V applied, each measurement being made $60 \text{ s} \pm 5 \text{ s}$ after the application of the voltage.

The insulation resistance is measured

- a) for appliance inlets with a connector in engagement, between the current-carrying pins connected together and the body;
- b) for appliance inlets with a connector in engagement, between each pin in turn and the others connected together;
- c) for connectors, between the current-carrying contacts connected together and the body;
- d) for connectors, between each contact in turn and the others connected together;
- e) for rewirable connectors, between any metal part of the cord anchorage, including clamping screws, and the earthing contact or earthing terminal;
- f) for rewirable connectors, between any metal part of the cord anchorage, excluding clamping screws, and a metal rod, of the maximum diameter of the cord, inserted in its place.

Table 2 – Maximum diameters of the cords

Type of cord	Number of cores and nominal cross- sectional area	Maximum diameter
	mm ²	mm
60227 IEC 53	3 × 0,75	8,0
	3 × 1	8,4
	3 × 1,5	9,8
60245 IEC 53	3 × 0,75	8,8
	3 × 1	9,2
	3 × 1,5	11,0

The insulation resistance shall be not less than 5 MΩ.

The term "body" used in items a) and c) above includes all accessible metal parts, fixing screws, external assembly screws or the like and metal foil in contact with the outer surface of external parts of insulating material, including the engagement face of connectors (item c)).

The metal foil is wrapped round the outer surface of external parts of insulating material; however, it is not pressed into openings.

15.3 A voltage of substantially sine-wave form with a frequency between 50 Hz and 60 Hz is applied for a period of not less than 60 s ± 5 s between the parts as indicated in 15.2.

The value of the test voltage is 4 000 V ± 60 V when applied between current-carrying parts and the body (items a) and c)) and 2 000 V ± 60 V in all other cases.

Initially, not more than half the prescribed voltage is applied, then it is raised rapidly to the full value.

No flashover or breakdown shall occur during the test.

NOTE 1 The high-voltage transformer used for the test is so designed that, when the output terminals are short-circuited after the output voltage has been adjusted to the appropriate test voltage, the output current is at least 200 mA. The overcurrent relay must not trip when the output current is less than 100 mA.

NOTE 2 Care is taken that the r.m.s. value of the test voltage is measured within ±3 %.

NOTE 3 Glow discharges without drop in voltage are neglected.

16 Forces necessary to insert and to withdraw the connector

16.1 The construction of appliance couplers shall allow the easy insertion and withdrawal of the connector, and prevent the connector from working out of the appliance inlet in normal use.

Compliance is checked for connectors only by

- the test of 16.2 to ascertain that the maximum force necessary to withdraw the connector from the appliance inlet is not higher than the force specified in table 3;
- the test of 16.3 to ascertain that the minimum force necessary to withdraw a single pin gauge from the individual contact assembly is not lower than the force specified in table 3.

Table 3 – Maximum and minimum withdrawal forces

Type of connector	Withdrawal forces N	
	Multi-pin gauge maximum	Single-pin minimum
0,2 A, 2,5 A, 6 A and 10 A	50	1,5
16 A	60	2

The tests are repeated after the tests of clause 21.

Accessories with retaining devices are tested with the retaining device inoperative.

16.2 Verification of the maximum withdrawal force

The appliance inlet is fixed to the mounting plate A of an apparatus as shown in figure 11, so that the axes of the appliance inlet pin are vertical and the free ends of the pins are downwards.

For testing connectors for hot conditions and those for very hot conditions, a heating device C is provided, and on this the appliance inlet is mounted.

The appliance inlet has finely ground pins of hardened steel, having a surface roughness not exceeding $0,8 \mu\text{m}$ over their active length and spaced at the nominal distance with a tolerance of $^{+0,02}_0$ mm.

The pin dimensions have the maximum values, with a tolerance of $^{0}_{-0,01}$ mm, except that the pin length need only comply with the tolerance of the standard sheet, and the inner dimensions of the shroud have the minimum values, with a tolerance of $^{+0,1}_0$ mm, specified in the relevant standard sheet.

NOTE 1 The maximum value is the nominal plus the maximum tolerance. The minimum value is the nominal minus the maximum tolerance.

The pins are wiped free from grease before each test using a cold chemical degreaser.

NOTE 2 When using the liquid specified for the test, adequate precautions should be taken to prevent inhalation of vapour.

The connector is inserted to the full depth into and withdrawn from the appropriate appliance inlet 10 times. It is then again inserted, a carrier E for a principal mass F and a supplementary mass G being attached to it by means of a suitable clamp D. The supplementary mass is such that it exerts a force equal to one-tenth of the maximum withdrawal force specified in the table of 16.1 and it shall be made in one piece.

The principal mass is hung on the connector without jolting and the supplementary mass is allowed to fall from a height of 5 cm on to the principal mass. The connector shall not remain in the appliance inlet.

16.3 Verification of the minimum withdrawal force

The test pin gauge, as illustrated in figure 30, is applied to each individual connector contact with the contact axes vertical and the gauge hanging vertically downwards.

The test pin gauge is made of hardened steel, having a surface roughness not exceeding 0,8 µm over its active length.

The pin portion of the gauge shall have dimensions equal to the minimum shown in the appropriate appliance inlet standard sheet $^{+0,01}_0$ mm except that the pin length need only comply with the tolerance of the standard sheet.

The total mass of the gauge shall be such as to exert the applicable force as shown in table 3.

The pin is wiped free from grease before each test using a cold chemical degreaser.

NOTE When using the liquid specified for the test, adequate precautions should be taken to prevent inhalation of vapour.

The test pin gauge is then inserted into the contact assembly.

The test pin gauge is applied gently, and care is taken not to knock the assembly when checking the minimum withdrawal force.

The gauge shall not fall from the contact assembly within 3 s.

17 Operation of contacts

Contacts and pins of appliance couplers shall make connection with a sliding action. The contacts of connectors shall provide adequate contact pressure and shall not deteriorate in normal use.

The effectiveness of the pressure between contacts and pins shall not depend upon the resiliency of the insulating material on which they are mounted.

Compliance with the requirements is checked by inspection and by the tests of clauses 16, 18, 19, 20 and 21.

18 Resistance to heating of appliance couplers for hot conditions or very hot conditions

18.1 Appliance couplers for hot conditions and those for very hot conditions shall withstand the heating to which they may be subjected by an appliance or other equipment.

Connectors for hot conditions and those for very hot conditions shall be so constructed that the insulation of the cores of the cord is not subjected to excessive heating.

Compliance is checked, for connectors, by the test of 18.2, and, for appliance inlets, by the test of 18.3.

18.2 Rewirable connectors are fitted with a three-core rubber insulated cord, having a cross-sectional area of 1,5 mm²; non-rewirable connectors are tested with the cord as delivered.

The connector is inserted into the appliance inlet of an appropriate test apparatus, an example of which is given in figure 13, where it remains for 96 h (four days). Throughout this period, the temperature at the base of the pins is maintained at

- 120 °C ± 2 °C for connectors for hot conditions;
- 155 °C ± 2 °C for connectors for very hot conditions.

For 10 A connectors, the appliance inlet is flush-mounted and has a shroud of insulating material.

For 16 A connectors, the appliance inlet is surface-mounted and has a shroud of metal.

The appliance inlets are of a type corresponding to the connector to be tested and have brass pins of the dimensions specified in the relevant standard sheet.

During the test, the temperature rise at the point of separation of the cores of the cord shall not exceed 50 K.

Temperatures are determined by means of thermocouples.

After removal from the test apparatus, the connector is allowed to cool down to approximately ambient temperature and then it is inserted into and withdrawn from the appliance inlet 10 times.

After the test, the connector shall show no damage within the meaning of this standard.

In particular, the specimen shall show

- no damage affecting the protection against electric shock;
- no loosening of electrical or mechanical connections;
- no cracks, swelling, shrinkage or the like.

NOTE 1 Care is taken to make the test in still air. It is recommended that the test apparatus be placed in a closed cabinet or similar compartment having a sufficiently large volume.

IS/IEC 60320-1 : 2001

NOTE 2 The point of separation of the cores is considered to be the point beyond which the cores of the cord cannot come into contact with each other, even if the connector is knocked or allowed to fall.

NOTE 3 If the insulation of the cores of the cord of a non-rewirable connector can withstand a temperature exceeding 75 °C, a higher temperature rise may be allowed at the point of separation, provided the temperature does not exceed the value which has been proved permissible for the insulation of the cores.

NOTE 4 A revision of this test is under consideration.

18.3 Appliance inlets for hot conditions and those for very hot conditions, other than those integrated or incorporated in an appliance or equipment, are kept for 96 h (four days) in a heating cabinet, the temperature of which is maintained at

- 120 °C ± 2 °C for appliance inlets for hot conditions;
- 155 °C ± 2 °C for appliance inlets for very hot conditions.

After the test, the specimen shall show no damage impairing its further use.

NOTE Appliance inlets integrated or incorporated in an appliance or equipment are tested together with the appliance or equipment.

19 Breaking capacity

Appliance couplers shall have adequate breaking capacity.

Compliance is checked, for connectors other than 0,2 A connectors, by the following test.

The connector is mounted in an appropriate test apparatus which incorporates an appliance inlet having polished, hardened steel pins and dimensions as specified in the relevant standard sheet. The ends of the pins shall be rounded for rectangular pins and hemispherical for round pins as shown in the standard sheets.

The appliance inlet is positioned so that the plane through the axes of the pins is horizontal and the earthing pin, if any, is uppermost.

For 10 A and 16 A connectors with earthing contact, the appliance inlet has a metal shroud; for other connectors, the shroud is of insulating material.

The connector and the appliance inlet are connected and disconnected 50 times (100 strokes), at a rate of 30 strokes per minute. The length of a stroke of the test apparatus is between 50 mm and 60 mm.

The periods during which the test current is passed from the connection to the subsequent disconnection of the accessories are $1,5^{+0,5}_0$ s.

The connections are as shown in figure 15. The test voltage is 275 V, the test current is 1,25 times rated current and the power factor is at least 0,95 for 10 A and 16 A connectors and $0,6 \pm 0,05$ for other connectors.

No current is passed through the earthing circuit, if any.

The selector switch C, connecting the earthing circuit and accessible metal parts to one of the poles of the supply, is operated after half the number of strokes.

If an air-core inductor is used, a resistor taking approximately 1 % of the current through the inductor is connected in parallel with it. Iron-core inductors may be used, provided the current is of substantially sine-wave form.

During the test, there shall be no flashover between live parts of different polarity or between such parts and parts of the earthing circuit, if any, neither shall there be any sustained arcing.

After the test, the specimen shall show no damage impairing its further use and the entry holes for the pins shall not show any serious damage.

NOTE 1 In case of doubt, the test is repeated with new pins, having a surface roughness not exceeding 0,8 μm over their active length, fitted in the appliance inlet of the test apparatus. If the new set of three specimens withstands the repeated test with new pins, the connector is considered to comply with the requirement.

NOTE 2 A stroke is an insertion or a withdrawal of the connector.

NOTE 3 Appliance inlets and 0,2 A connectors are not tested for breaking capacity.

20 Normal operation

Appliance couplers shall withstand, without excessive wear or other harmful effects, the mechanical, electrical and thermal stresses occurring in normal use.

Compliance is checked by testing connectors in the apparatus described in clause 19.

0,2 A connectors and the appliance inlet are connected and disconnected 2 000 times (4 000 strokes) without current flowing.

Other connectors and the appliance inlet are connected and disconnected 1 000 times (2 000 strokes) at rated current and 3 000 times (6 000 strokes) without current flowing.

The connections and the other test conditions are as specified in clause 19, except that the test voltage is 250 V.

The selector switch C, connecting the earthing circuit and accessible metal parts to one of the poles of the supply, is operated after half the number of strokes at rated current.

After the test, the specimens shall withstand an electric strength test as specified in 15.3, the test voltage being, however, reduced to 1 500 V.

The specimen shall show

- no wear impairing its further use;
- no deterioration of enclosures or barriers;
- no damage to the entry holes for the pins that might impair proper working;
- no loosening of electrical or mechanical connections;
- no seepage of sealing compound.

NOTE 1 The humidity treatment is not repeated before the electric strength test of this clause.

NOTE 2 Appliance inlets are not tested for normal operation.

21 Temperature rise

Contacts and other current-carrying parts shall be so designed as to prevent excessive temperature rise due to the passage of current.

Compliance is checked, for connectors other than 0,2 A connectors, by the following test.

Rewirable connectors are fitted with polyvinyl chloride insulated cords having a length of 1 m and a cross-sectional area of 1 mm² for 10 A connectors and 1,5 mm² for 16 A connectors, the terminal screws being tightened with two-thirds of the torque specified in the appropriate column of the table of 25.1. Non-rewirable connectors are tested with the cord as delivered.

The connector is inserted into an appliance inlet having brass pins with the minimum dimensions specified in the relevant standard sheet, a tolerance of +0,02 mm being allowed, the distance between pin centres having the value specified in the standard sheet.

An alternating current of 1,25 times rated current is passed through the current-carrying contacts for 1 h.

For connectors with earthing contact, the current is then passed through one current-carrying contact and the earthing contact for 1 h.

The temperature is determined by means of melting particles, colour-changing indicators or thermocouples, which are so chosen and positioned that they have a negligible effect on the temperature being determined.

The temperature rise of terminals and contacts shall not exceed 45 K.

After this test, the second set of three specimens specified in 5.5 shall withstand the test of clause 16.

NOTE 1 Appliance inlets and 0,2 A connectors are not tested for temperature rise.

NOTE 2 During the test, the connector is not exposed to an external source of heat.

22 Cords and their connection

22.1 Non-rewirable connectors shall be provided with a cord complying with either IEC 60227 or IEC 60245.

The cord shall be not lighter than the type and shall have a cross-sectional area not less than that specified in table 4.

Table 4 – Type and minimum nominal cross-sectional area of cords

Type of connector	Type of cord	Nominal cross-sectional area mm ²
0,2 A	60227 IEC 41 ^a	–
2,5 A for class I equipment	60227 IEC 52	0,75
2,5 A for class II equipment	60227 IEC 52	0,75 ^b
6 A	60227 IEC 52	0,75
10 A for cold conditions	60227 IEC 53 or 60245 IEC 53	0,75 ^c
10 A for hot conditions	60245 IEC 51 or 60245 IEC 53	0,75 ^c
10 A for very hot conditions	60245 IEC 51 or 60245 IEC 53	0,75 ^c
16 A for cold conditions	60227 IEC 53 or 60245 IEC 53	1 ^c
16 A for very hot conditions	60245 IEC 51 or 60245 IEC 53	1 ^c

^a In length not exceeding 2 m.

^b If the cord has a length not exceeding 2 m, a nominal cross-sectional area of 0,5 mm² is allowed.

^c If the cord has a length exceeding 2 m, nominal cross-sectional areas shall be

- 1 mm² for 10 A connectors;
- 1,5 mm² for 16 A connectors.

Non-rewirable connectors with earthing contact shall be provided with a three-core cord.

In non-rewirable, non-reversible connectors the cores of the cord shall be connected to the contacts in the following manner:

- green/yellow core to the earthing contact;
- brown core to the line contact;
- light blue core to the neutral contact.

NOTE See also the note of 8.6.

Compliance is checked by inspection, by measurement and by checking that the cords are in accordance with IEC 60227 or IEC 60245.

22.2 Connectors shall be provided with a cord anchorage such that the conductors are relieved from strain, including twisting, where they are connected to the terminals or terminations, and that their outer covering is protected from abrasion.

NOTE Cord anchorages of the "labyrinth" type are allowed, provided they withstand the relevant tests.

22.3 For rewirable connectors:

- it shall be clear how the relief from strain and the prevention of twisting is intended to be effected;
- the cord anchorage, or at least part of it, shall be integral with or fixed to one of the other component parts of the connector;
- makeshift methods, such as tying the cord into a knot or tying the ends with string, shall not be used;

- cord anchorages shall be suitable for the different types of cord which may be connected, and their effectiveness shall not depend upon the assembly of the parts of the body;
- cord anchorages shall be of insulating material or be provided with an insulating lining fixed to the metal parts;
- it shall not be possible for the cord to touch the clamping screws of the cord anchorage if these screws are accessible with the standard test finger shown in figure 10 or are electrically connected to accessible metal parts;
- metal parts of the cord anchorage, including its screws, shall be insulated from the earthing circuit.

Compliance with the requirements of 22.2 and 22.3 is checked by inspection and by a pull test in an apparatus similar to that shown in figure 16, followed by a torque test.

Non-rewirable connectors are tested with the cord as delivered, rewirable connectors are tested first with one and then with the other type of cord as specified in table 5.

Table 5 – Types of cord for the rewirable connector test

Type of connector	Type of cord	Nominal cross-sectional area mm ²
10 A for cold conditions	60227 IEC 53	0,75
	60227 IEC 53	1
10 A for hot conditions	60245 IEC 53	0,75
	60245 IEC 53	1
10 A for very hot conditions	60245 IEC 53	0,75
	60245 IEC 53	1
16 A for cold conditions	60227 IEC 53	1
	60227 IEC 53	1,5
16 A for very hot conditions	60245 IEC 53	1
	60245 IEC 53	1,5

Conductors of the cord of rewirable connectors are introduced into the terminals, and the terminal screws are tightened just sufficiently to prevent the conductors from easily changing their position.

The cord anchorage is used in the normal way, clamping screws being tightened with a torque equal to two-thirds of the torque specified in the appropriate column of table 8. After reassembly of the specimen, the component parts shall fit snugly and it shall not be possible to push the cord into the connector to any appreciable extent.

The specimen is fixed in the test apparatus so that the axis of the cord is vertical where it enters the connector.

The cord is then subjected 100 times to a pull of 50 N for connectors having a rated current not exceeding 2,5 A and 60 N for other connectors. The pulls are applied without jerks, each time for 1 s.

Immediately afterwards, the cord is subjected for 1 min to a torque of

- 0,1 Nm for cords, other than flat twin tinsel cords, having a nominal cross-sectional area not exceeding 0,5 mm²;
- 0,15 Nm for two-core cords having a nominal cross-sectional area of 0,75 mm²;
- 0,25 Nm in all other cases.

During the tests, the cord shall not be damaged.

After the tests, the cord shall not have been displaced by more than 2 mm. For rewirable connectors, the ends of the conductors shall not have moved noticeably in the terminals; for non-rewirable connectors, there shall be no break in the electrical connections.

For the measurement of the longitudinal displacement, a mark is made on the cord before starting the test while subjecting it to a preliminary pull of the value specified, the mark is made at a distance of approximately 2 cm from the end of the connector or the cord guard. If, for non-rewirable connectors, there is no definite end to the connector or the cord guard, an additional mark is made on the body, from which the distance to the other mark is measured.

After the tests, the displacement of the mark on the cord in relation to the connector or the cord guard is measured while the cord is subjected to a pull of the value specified.

NOTE Connectors provided with flat twin tinsel cords are not subjected to the torque test.

22.4 Connectors shall be so designed that the cord cannot be subjected to excessive bending where it enters the connector.

Guards provided for this purpose shall be of insulating material and shall be fixed in a reliable manner.

NOTE Helical metal springs, whether bare or covered with insulating material, are not allowed as cord guards.

Compliance is checked by inspection and the following test.

For rewirable connectors, before this test is started, the guards are subjected to an accelerated ageing test as specified in

- 24.2.1, if of elastomeric material;
- 24.2.2, if of thermoplastic material.

Connectors are subjected to a test in an apparatus having an oscillating member similar to that shown in figure 17.

Rewirable connectors are fitted with a cord as specified in table 6, having an appropriate length and strands of the largest diameter allowed for that type of flexible cord. The cord guard, if any, is put in place.

Table 6 – Type of cord and nominal cross-sectional area for rewirable connectors

Type of connector	Type of cord	Nominal cross-sectional area mm ²
10 A for cold conditions	60227 IEC 53	1
10 A for hot conditions	60245 IEC 53	1
10 A for very hot conditions	60245 IEC 53	1
16 A for cold conditions	60227 IEC 53	1,5
16 A for very hot conditions	60245 IEC 53	1,5

Non-rewirable connectors are tested with the cord as delivered.

The specimen is fixed to the oscillating member of the apparatus so that, when this is at the middle of its travel, the axis of the cord, where it enters the connector, is vertical and passes through the axis of oscillation.

The part of the connector which, in normal use, is inside the appliance inlet, is fixed in the test apparatus.

The oscillating member is, by variation of distance d shown in figure 17, so positioned that the cord makes the minimum lateral movement when the oscillating member of the test apparatus is moved over its full travel.

Specimens with flat cords are mounted so that the major axis of the section is parallel to the axis of oscillation.

The cord is loaded so that the force applied is

- 20 N for rewirable connectors, and for non-rewirable connectors with cords having a nominal cross-sectional area exceeding 0,75 mm²;
- 10 N for other non-rewirable connectors.

A current equal to the rated current of the connector is passed through the conductors, the voltage between them being equal to rated voltage.

No current is passed through the earthing conductor, if any. The oscillating member is moved backwards and forwards through an angle of 90° (45° on either side of the vertical), the number of flexings being 10 000 for rewirable connectors and 20 000 for non-rewirable connectors and the rate of flexing being 60 per minute.

Specimens with circular-section cords are turned through 90° in the oscillating member after half the required number of flexings; specimens with flat cords are only bent in a direction perpendicular to the plane containing the axes of the cores.

During the test there shall be no interruption of the test current, and no short-circuit between conductors.

After the test, the specimen shall show no damage within the meaning of this standard, the guard, if any, shall not have separated from the body and the insulation of the cord shall show no sign of abrasion or wear, moreover, for non-rewirable connectors, broken strands of the conductors shall not have pierced the insulation so as to become accessible.

NOTE 1 A flexing is one movement, either backwards or forwards.

NOTE 2 The test is carried out on specimens not subjected to any other test.

NOTE 3 A short circuit between the conductors of the cord is considered to occur if the current attains a value equal to twice the rated current of the connector.

23 Mechanical strength

23.1 Appliance couplers shall have adequate mechanical strength.

Compliance is checked

- for connectors, by the test of 23.2 and for connectors with a rating exceeding 0,2 A the test of 23.3;
- for appliance inlets having a shroud of metal, by the test of 23.4;
- for appliance inlets with a shroud of insulating material intended for surface mounting, by the tests of 23.5 and 23.8;

NOTE 1 Shrouds of appliance inlets designed for flush-mounting in an appliance or other equipment are not subjected to the tests of 23.4 and 23.5.

NOTE 2 Tests for checking the mechanical strength of these appliance inlets are under consideration.

23.2 Rewirable connectors are fitted with the cord, specified in 22.3, having the smallest cross-sectional area and a free length of approximately 100 mm, measured from the outer end of the guard.

Terminal screws and assembly screws are tightened with a torque equal to two-thirds of the torque specified in the appropriate column of the table in 25.1.

Non-rewirable connectors are tested with the cord as delivered, the cord being cut so that a free length of approximately 100 mm projects from the outer end of the guard.

The specimens are subjected one at a time to the test Ed: Free fall, procedure 2 of IEC 60068-2-32, the number of falls being

- 500 if the mass of the specimen without cord or cord guard does not exceed 200 g;
- 100 in all other cases.

After the test, the specimens shall show no damage within the meaning of this standard. In particular, no part shall have become detached or loosened.

NOTE 1 During the examination after the test, special attention is paid to the connection of the cord.

NOTE 2 Small pieces may be broken off without causing rejection, provided that protection against electric shock is not affected.

NOTE 3 Damage to finish and small dents which do not reduce the creepage distances or clearances below the values specified in clause 26 are neglected.

NOTE 4 The approximate 100 mm length may have to be reduced in order to ensure free fall.

23.3 After the test of 23.2, the connector with a rating exceeding 0,2 A is inserted into an appliance inlet of a type corresponding with the connector to be tested and complying with the relevant standard sheet. The appliance inlet is mounted in an appropriate test apparatus, an example of which is shown in figure 19, with the pins pointing upwards. The dimension $40 \text{ mm} \pm 2 \text{ mm}$ shall be complied with.

A lateral pull, as specified in table 7, is applied to the cord first in a direction perpendicular to the plane containing the axes of the current-carrying pins, and is immediately released.

This sequence of operation is made 50 times in one direction and then 50 times in the opposite direction.

A lateral pull of the same force is then applied in a direction parallel with the plane containing the axes of the current-carrying pins and parallel with the engagement face of the connector. The force is immediately released. This sequence of operation is made 50 times in one direction and then 50 times in the opposite direction.

Table 7 – Values for the lateral pulls applied

Rated current of connector A	Pull N
2,5	6
6	35
10	35
16	50

If necessary, the connector is prevented from coming out of the appliance inlet but must be free to move towards the wall of the appliance inlet.

During the test, the cord guard, if any, shall not separate from the body.

After the test, the connector shall show no damage within the meaning of this standard. In particular, the specimens shall comply with the requirements for minimum withdrawal force and withstand the test of 16.3.

NOTE The apparatus shown in figure 19 is intended for connectors where the axis of the connector and the axis of the cord coincide ("straight" connectors); for other connectors, the apparatus is adapted, so that the pulls will be applied in the most unfavourable position.

23.4 Appliance inlets designed for surface mounting and having a shroud of metal, are compressed in an appropriate test apparatus, an example of which is shown in figure 20. The spherical end of the jaws shall have a radius of 20 mm ± 1 mm. A force of 40 N ± 2 N shall be applied for 60 s ± 6 s through the jaws to the most unfavourable point half-way up the outer surface of the shroud, in a direction perpendicular to the axis of the shroud.

After the test, there shall be no deformation or loosening of the shroud such as will impair the further use of the appliance inlet.

23.5 Appliance inlets designed for surface-mounting and having a shroud of insulating material, other than elastomeric material, or thermoplastic material, are tested by means of the spring-operated impact-test apparatus shown in figure 21.

The apparatus consists of three main parts; the body, the striking element and the spring-loaded release cone.

The body comprises the housing, the striking element guide, the release mechanism and all parts rigidly fixed thereto. The mass of this assembly is 1 250 g.

The striking element comprises the hammer head, the hammer shaft and the cocking knob. The mass of this assembly is 250 g.

The hammer head has a hemispherical face of polyamide having a Rockwell hardness of HR 100, with a radius of 10 mm. It is fixed to the hammer shaft in such a way that the distance from its tip to the plane of the front of the cone, when the striking element is on the point of release, is 20 mm.

The cone has a mass of 60 g and the cone spring is such that it exerts a force of 20 N when the release jaws are on the point of releasing the striking element.

The hammer spring is adjusted so that the product of the compression, in millimetres, and the force exerted, in newtons, equals 1 000, the compression being approximately 20 mm. With this adjustment, the impact energy is $0,5 \text{ J} \pm 0,05 \text{ J}$.

The release mechanism springs are adjusted so that they exert just sufficient pressure to keep the release jaws in the engaged position.

The apparatus is cocked by pulling the cocking knob until the release jaws engage with the groove in the hammer shaft.

The blows are applied by pushing the release cone against the specimen in a direction perpendicular to the surface at the point to be tested.

The pressure is slowly increased so that the cone moves back until it is in contact with the release bars, which then move to operate the release mechanism and allow the hammer to strike.

The specimen is rigidly supported and 12 blows are applied, three to each of four places chosen so as to include the weakest areas.

After the test, the specimen shall show no damage within the meaning of this standard.

23.6 For 2,5 A connectors for class II equipment according to standard sheet C7, the area where the switch cam(s) can touch the connector shall be sufficiently resistant to deformation.

NOTE This area is indicated by "3)" on standard sheet C7.

Compliance is checked by the following test, which is made by means of an apparatus having a rectangular blade as shown in figure 22. The test is made with blade A and with blade B successively, which are pressed against the connector body in the area to be checked, with the force as specified in figure 22.

The apparatus with the specimen in position is kept in a heating cabinet at a temperature of $70 \text{ }^\circ\text{C} \pm 2 \text{ }^\circ\text{C}$ for 2 h.

The specimen is then removed from the apparatus and cooled down within 10 s to approximately room temperature by immersion in cold water.

The thickness of the connector body is measured immediately at the point of impression. The difference between the thickness values before and after the test shall be not more than 0,2 mm.

23.7 The external parts of connectors with a separate front part enclosing the contacts shall be reliably fixed to one another.

Compliance is checked by the following test.

The front part and the rear part of the connector are securely fixed to two claws which are so arranged that they can separate from each other in a straight line. A pull force of $100 \text{ N} \pm 2 \text{ N}$ is applied in the axial direction without jerks to the claws. The force is maintained for 1 min. After having removed the force, a torque of 2 Nm is applied twice to the connector. First for 1 min twisting the connector in a direction perpendicular to the axis of the previous applied force and then for 1 min bending the connector in a direction perpendicular to the axis of the previous applied force and torque.

After the test, the two parts of the connector shall not have been detached, nor shall parts providing protection against electric shock have loosened or live parts become accessible.

23.8 The shroud of the appliance inlet is subjected to a pressure test at an ambient temperature of $25 \text{ }^\circ\text{C} \pm 5 \text{ }^\circ\text{C}$ in an apparatus similar to that shown in figure 24.

The specimen is clamped between steel jaws, having a cylindrical face of 25 mm radius, a width of 15 mm and an effective length between the guides of 50 mm minimum. The corners are rounded with a radius of 2,5 mm.

The specimen is clamped in such a way that the front face of the jaws coincides with the front face of the shroud.

The force applied through the jaws is $20 \text{ N} \pm 2 \text{ N}$.

After 1 min, and while the shroud is still under pressure, the corresponding go-gauges shall enter the appliance inlet. In case of doubt, and where no gauges exist, the inner dimensions of the shroud have to be measured. The dimensions shall comply with the appropriate standard sheet.

The test is repeated with the specimen rotated 90° .

24 Resistance to heat and ageing

24.1 Appliance couplers shall be sufficiently resistant to heat.

Compliance is checked by the tests of 24.1.1 to 24.1.3 as applicable.

24.1.1 Specimens of connectors and appliance inlets other than those integrated or incorporated in an appliance or equipment are kept for 1 h in a heating cabinet at a temperature of $100 \text{ }^\circ\text{C} \pm 2 \text{ }^\circ\text{C}$.

During the test, the specimen shall not undergo any change impairing its further use, and sealing compound shall not flow to such an extent that live parts are exposed.

NOTE 1 If connectors and appliance inlets are submitted together, they are tested while in engagement.

NOTE 2 A slight displacement of the sealing compound is neglected, provided that safety is not impaired.

24.1.2 Parts of insulating material, of appliance inlets not integrated in or incorporated in an appliance or equipment and of connectors, shall be subjected to a ball-pressure test by means of the apparatus shown in figure 23.

Parts of the cord anchorage and the cord guard, parts not immediately surrounding the socket contacts of connectors moulded together with the cord, and parts of ceramic are not subjected to this test.

Before the test is started, the ball and the support on which the specimen shall be placed, are brought to the temperature specified. The part under test shall be placed on a 3 mm thick steel plate in direct contact with it, so as to be supported to withstand the test force. When it is not possible to carry out the test on the specimen, the test shall be carried out on a specimen of the same material at least 2 mm thick.

The surface of the part to be tested is placed in the horizontal position and a steel ball of 5 mm diameter is pressed against the surface with a force of 20 N.

The test is made in a heating cabinet maintained at a temperature of

- 155 °C ± 2 °C in the case of accessories for very hot conditions;
- 125 °C ± 2 °C in the case of accessories for hot conditions;
- 125 °C ± 2 °C for those parts of accessories for cold conditions which retain current-carrying parts and parts of the earthing circuit in position;
- 75 °C ± 2 °C for other parts of accessories for cold conditions and all parts of 0,2 A appliance couplers.

After 1 h, the ball is removed from the specimen which is then cooled down, within 10 s, to approximately room temperature by immersion in cold water.

The diameter of the impression caused by the ball is measured and shall not exceed 2 mm.

24.1.3 Connectors of thermoplastic material are subjected to a pressure test in an apparatus similar to that shown in figure 24, the test being made in a heating cabinet at a temperature of 100 °C ± 2 °C.

The specimen is clamped between steel jaws, having a cylindrical face of 25 mm radius, a width of 15 mm and a length of 50 mm. The corners are rounded with a radius of 2,5 mm.

The specimen is clamped in such a way that the jaws press against it in the area where it is gripped in normal use, the centre line of the jaws coinciding as nearly as possible with the centre of this area.

The force applied through the jaws is 20 N.

After 1 h, the jaws are removed and the specimen shall show no damage within the meaning of this standard.

24.2 Connectors of elastomeric or thermoplastic shall be sufficiently resistant to ageing.

Compliance is checked:

- for connectors of elastomeric material, by the tests of 24.2.1 and 24.2.3;
- for connectors of thermoplastic material, by the tests of 24.2.2 and 24.2.3.

For the tests of 24.2.1 to 24.2.3, two new specimens are used, which are first subjected to the test of clause 16.

NOTE 1 For the tests of 24.2.1 and 24.2.2, the use of an electrically heated cabinet is recommended.

NOTE 2 Natural air circulation may be provided by holes in the walls of the cabinet.

NOTE 3 Temperature may be measured by means of thermometers.

24.2.1 Connectors of elastomeric material are subjected to an accelerated ageing test made in an atmosphere having the composition and pressure of the ambient air. The specimens are suspended freely in a heating cabinet, ventilated by natural air circulation. They are kept in the cabinet, which is maintained at a temperature of $70\text{ °C} \pm 2\text{ °C}$, for 240 h (10 days).

24.2.2 Connectors of thermoplastic material are subjected to an accelerated ageing test made in an atmosphere having the composition and pressure of the ambient air. The specimens are suspended freely in a heating cabinet, ventilated by natural circulation. They are kept in the cabinet, which is maintained at a temperature of $80\text{ °C} \pm 2\text{ °C}$, for 168 h (7 days).

During the test, the connectors are in engagement with a corresponding appliance inlet according to the relevant standard sheet.

24.2.3 After the tests of 24.2.1 or 24.2.2 the specimens are allowed to attain approximately ambient temperature and are then examined. They shall show no crack visible to the naked eye, nor shall the material have become sticky or greasy, this being judged as follows.

A forefinger wrapped in a dry piece of rough cloth is pressed on the specimen with a force of 5 N.

No traces of the cloth shall remain on the specimen and the material of the specimen shall not stick to the cloth.

After this test, the specimen shall show no damage which would lead to non-compliance with this standard.

NOTE The force of 5 N can be obtained in the following way.

The specimen is placed on one of the pans of a balance and the other pan is loaded with a mass equal to the mass of the specimen plus 500 g. Equilibrium is then restored by pressing the specimen with the forefinger, wrapped in the piece of cloth.

25 Screws, current-carrying parts and connections

25.1 Connections, electrical or mechanical, shall withstand the mechanical stresses occurring in normal use.

Screws and nuts which transmit contact pressure and which are operated when connecting and mounting an accessory during installation, and/or which are likely to be operated during the life of the accessory, shall be in engagement with a metal thread.

Screws for connecting conductors shall not be tapping screws.

Screws and nuts operated when mounting the accessory during installation, and/or which are likely to be operated during the life of the accessory shall not be of the thread-cutting type.

NOTE Screws or nuts which are operated when mounting the accessory include screws for fixing covers or cover plates, etc, but not screws for fixing the base of the appliance inlet.

Compliance is checked by inspection and for screws and nuts which transmit contact pressure and for screws which are operated when connecting and mounting an accessory during installation and/or which are likely to be operated during the life of the accessory, by the following test.

The screws and nuts are tightened and loosened:

- 10 times for metal screws in engagement with a thread of insulating material and for screws of insulating material;
- 5 times in all other cases.

Screws or nuts in engagement with a thread of insulating material and screws of insulating material are completely removed and reinserted each time. The test is made by means of a suitable test screwdriver or spanner applying a torque as shown in the following table.

NOTE The shape of the blade of the test screwdriver shall suit the head of the screw to be tested.

When testing terminal screws of connectors, a flexible conductor is placed in the terminal. The conductor is moved each time the screw or nut is loosened.

The nominal cross-sectional area of this conductor is 1 mm² for 10 A connectors and 1,5 mm² for 16 A connectors.

The screws and nuts shall be tightened smoothly.

Table 8 – Torque applied for the tightening and loosening test

Nominal diameter of thread mm	Torque Nm	
	I	II
Up to and including 2,8	0,2	0,4
Over 2,8 up to and including 3,0	0,25	0,5
Over 3,0 up to and including 3,2	0,3	0,6
Over 3,2 up to and including 3,6	0,4	0,8
Over 3,6 up to and including 4,1	0,7	1,2
Over 4,1 up to and including 4,7	0,8	1,8
Over 4,7 up to and including 5,3	0,8	2,0

Column I applies to screws without heads which, when tightened, do not protrude from the hole, and to other screws which cannot be tightened by means of a screwdriver with a blade wider than the diameter of the screw.

Column II applies to other screws and to nuts.

For screws having a hexagonal head with a slot, only the test with the screwdriver is made.

During the test, the screwed connection shall not work loose and there shall be no damage, such as breakage of screws or damage to the head slots, threads, washers or stirrups, that will impair the further use of the accessory.

NOTE Screwed connections will have been partially checked by the tests of clauses 20 and 23.

25.2 For screws intended to be engaged with a thread of insulating material and screws of insulating material, which are operated for the installation of the accessory and/or which are likely to be operated during the life of the accessory, correct introduction of the screw into the screw hole or nut shall be ensured.

Screws of insulating material shall not be used in cases when the replacement with metal screws could impair the insulation of the appliance coupler.

Compliance is checked by inspection and by manual test.

NOTE The requirement with regard to correct introduction is met if introduction of the screw in a slanting manner is prevented, for example, by guiding the screw by the part to be fixed, by a recess in the female thread, or by the use of a screw with the leading thread removed.

25.3 Electrical connections shall be so designed that contact pressure is not transmitted through insulating material other than ceramic or other material with characteristics at least equivalent.

This requirement does not apply to appliance couplers for cold conditions, if there is sufficient resiliency in the metallic parts to compensate for any possible shrinkage or yielding of the insulating material.

NOTE The suitability of the material is considered with regard to the stability of the dimensions.

Compliance is checked by inspection.

NOTE This requirement does not preclude electrical connections with flat tinsel cord for applications up to 0,2 A where the contact pressure is obtained by insulating material having such properties as to ensure reliable and permanent contact under all conditions of normal use, especially in view of shrinking, yielding, ageing and cold flow of the insulating part.

25.4 Screws and rivets, which serve as electrical as well as mechanical connections, shall be locked against loosening or turning.

Compliance is checked by inspection and manual test.

NOTE 1 Spring washers may provide satisfactory locking.

NOTE 2 For rivets, a non-circular shank or an appropriate notch may be sufficient.

NOTE 3 Sealing compound which softens on heating provides satisfactory locking only for screw connections not subject to torsion in normal use.

25.5 Connections between terminals and other parts shall be so designed that they will not work loose in normal use.

Compliance is checked by inspection and manual test.

25.6 Current-carrying parts and earthing contacts shall be of a metal having, under conditions occurring in the appliance coupler, adequate mechanical strength and resistance to corrosion.

Compliance is checked by inspection and, if necessary, by chemical analysis.

Examples of suitable metals, when used within the permissible temperature range and under normal conditions of chemical pollution are:

- copper;
- an alloy containing at least 58 % copper for parts that are worked cold or at least 50 % copper for other parts;
- stainless steel containing at least 13 % chromium and not more than 0,09 % carbon;

- steel provided with an electroplated coating of zinc according to ISO 2081, the coating having a thickness of at least 5 μm (ISO Service Condition No. 1);
- steel provided with an electroplated coating of nickel and chromium according to ISO 1456, the coating having a thickness of at least 20 μm (ISO Service Condition No. 2);
- steel provided with an electroplated coating of tin, according to ISO 2093, the coating having a thickness equal to at least 12 μm (ISO Service Condition No. 2).

Parts which may be subjected to mechanical wear shall not be made of steel provided with electroplated coating.

Steel provided with an electroplated coating of zinc is only permitted for prime current-carrying parts if no fixed electrical connection is intended to be made. For connections, an electroplated coating of zinc is permissible only on parts which do not participate directly in current transmission, such as screws or washers used for certain types of terminals in which they transmit only the contact pressure.

NOTE 1 The requirements of this subclause are not intended to apply to magnetic circuits, heating elements, bimetallic components, shunts, parts of electronic devices, etc.

NOTE 2 Screws, nuts, washers, clamping plates and similar parts of terminals are not regarded as current-carrying parts.

NOTE 3 New requirements to be verified by a test for determining the resistance to corrosion are under consideration. These requirements should permit other materials to be used if suitably coated.

25.7 Under moist conditions, metals having a great difference of electro-chemical potential with respect to each other shall not be used in contact with each other.

Compliance is checked by inspection.

25.8 Pins of appliance inlets for very hot conditions shall be protected by nickel plating or be of a material no less resistant to corrosion. The latter requirement does not apply to pins of appliance inlets integrated or incorporated in an appliance or equipment, provided their temperature does not exceed 140 °C in normal use.

Compliance is checked by inspection.

26 Creepage distances, clearances and distances through insulation

Creepage distances, clearances and distances through insulation of connectors and appliance inlets other than those integrated or incorporated in an appliance or equipment, shall be not less than the values shown in table 9.

For indicator circuits having a resistance such that the fault current will never exceed 0,25 A, under conditions of bridging any creepage distances or clearances in such circuits, the value specified may be reduced to 1,0 mm. In addition, resistors in the indicator circuit shall operate at not greater than 75 % of the manufacturer's declared and published rated dissipation.

Table 9 – Minimum creepage distances and clearances through insulation

Creepage distances and clearances	mm
between live parts of different polarity	3
between live parts and accessible metal parts	4*
inaccessible external screws or the like (for connectors only)	3
between parts of the earthing circuit and live parts	4
accessible screws or the like	3
inaccessible external screws or the like (for connectors only)	1,5
the cord anchorage, including its clamping screws	1,5
Thickness of insulating material between accessible metal parts and live parts	1,5
NOTE 1 For connectors, the term "accessible metal parts" includes metal foil in contact with external surfaces of insulating material.	
NOTE 2 Inaccessible screws are those which cannot be touched with the standard test finger.	
NOTE 3 The insulation may consist of solid material plus one or more air layers.	
* This value does not apply in those cases where the dimensions specified in the relevant standard sheet lead to a smaller distance.	

Compliance is checked by measurement.

For rewirable connectors, the measurements are made on specimens fitted with conductors having the largest cross-sectional area as specified in table 5 and also without conductors.

For non-rewirable connectors the measurements are made on specimens with the cord as delivered.

Connectors are tested when in engagement with an appliance inlet and also when not in engagement.

NOTE The contribution to the creepage distance of any groove less than 1 mm wide is limited to its width. Any air gap less than 1 mm wide is ignored in computing the total clearance.

27 Resistance of insulating material to heat, fire and tracking

27.1 Parts made of insulating material which might be exposed to thermal stresses due to electric effects and whose deterioration might impair safety shall not be unduly affected by heat and fire generated within the accessory.

For accessories with a rated current exceeding 0,2 A compliance is checked by the glow-wire test according to 27.1.1 to 27.1.10.

Appliance inlets integrated or incorporated in an appliance or equipment are tested in accordance with the relevant appliance standard.

27.1.1 Object of the test

The glow-wire test is applied to ensure that an electrically heated test wire under defined test conditions does not cause ignition of insulating parts or to ensure that a part made of insulating material, which might be ignited by the heated test wire under defined conditions, burns for a limited time only and that without spreading fire by flame, or burning parts, or drops falling down from the part under test.

27.1.2 General description of the test

The test is made on one specimen only.

In case of doubt, the test shall be repeated on two further specimens.

The test is made by applying the glow-wire once only. The specimen shall be positioned during the test in the most unfavourable position of its intended use (with the surface tested in a vertical position).

The tip of the glow-wire shall be applied to the specified surface of the test specimen, taking into account the conditions of the intended use under which a hot part may come into contact with the specimen.

If the test cannot be made on the complete specimen, a suitable part may be cut from it.

If the specified tests are carried out at several places on the same specimen, care shall be taken to ensure that any deterioration caused by previous tests does not affect the results of the test to be made.

Small parts, such as washers, are not subjected to this test.

27.1.3 Description of test apparatus

Clause 5 of IEC 60695-2-10 is applicable. The pinewood board covered with a layer of wrapping tissue shall be used.

27.1.4 Degree of severity

The following test temperatures, selected from the preferred test temperatures specified in clause 6 of IEC 60695-2-11, IEC 60695-2-12 and IEC 60695-2-13 are applicable.

- 750 °C for parts made of insulating material intended to retain current-carrying parts and parts of the earthing circuit in position;
- 650 °C for all other parts made of insulating material.

27.1.5 Verification of the thermocouple

Subclause 6.2 of IEC 60695-2-10 is applicable.

27.1.6 Preconditioning

Clause 7 of IEC 60695-2-10 is applicable.

27.1.7 Initial measurements

Clause 8 of IEC 60695-2-11, IEC 60695-2-12 and IEC 60695-2-13 is applicable.

27.1.8 Test procedure

Clause 8 of IEC 60695-2-10 is applicable.

27.1.9 Observations and measurements

Clause 11 of IEC 60695-2-11, IEC 60695-2-12 and IEC 60695-2-13 is applicable.

27.1.10 Evaluation of test results

Clause 12 of IEC 60695-2-11, IEC 60695-2-12 and IEC 60695-2-13 is applicable.

27.2 Insulating parts supporting, or in contact with, live parts of appliance couplers for hot conditions and of appliance couplers for very hot conditions, shall be of material resistant to tracking.

This requirement does not apply to appliance inlets integrated in or incorporated in an appliance or equipment.

For materials other than ceramic, compliance is checked by the following test.

27.2.1 Test specimens

Clause 3 of IEC 60112 is applicable. The test specimens are taken from the accessory to be tested.

27.2.2 Conditioning

Clause 4 of IEC 60112 is applicable.

27.2.3 Test apparatus

Clause 5 of IEC 60112 is applicable as follows:

- 5.1 – Electrodes: applicable
- 5.2 – Test circuit: applicable
- 5.3 – Dropping device: applicable
- 5.4 – Test solution: solution A shall be used

27.2.4 Procedure

Clause 6 of IEC 60112 is applicable as follows:

- 6.1 – General: applicable
- 6.2 – Determination of the CTI: not applicable
- 6.3 – Proof-tracking test: applicable, PTI 175 V
- 6.4 – Determination of erosion: not applicable.

28 Resistance to rusting

Ferrous parts shall be adequately protected against rusting.

Compliance is checked by the following test.

All grease is removed from the parts to be tested by immersion in a cold chemical degreaser, such as trichlorethane or petroleum ether, for 10 min. The parts are then immersed for 10 min in a 10 % solution of ammonium chloride at a temperature of $20\text{ }^{\circ}\text{C} \pm 5\text{ }^{\circ}\text{C}$.

Without drying, but after shaking off any drops, the parts are placed for 10 min in a box containing air saturated with moisture at a temperature of $20\text{ }^{\circ}\text{C} \pm 5\text{ }^{\circ}\text{C}$.

After the parts have been dried for 10 min in a heating cabinet at a temperature of $100\text{ }^{\circ}\text{C} \pm 5\text{ }^{\circ}\text{C}$, their surfaces shall show no signs of rust.

NOTE 1 Traces of rust on sharp edges and any yellowish film removable by rubbing are ignored.

NOTE 2 For small springs and the like, and for inaccessible parts exposed to abrasion, a layer of grease may provide sufficient protection against rusting. Such parts are only subjected to the test if there is doubt as to the effectiveness of the grease film, and the test is then made without previous removal of the grease.

WARNING

When using the liquids specified for the test, adequate precautions must be taken to prevent inhalation of the vapour.

29 Electromagnetic compatibility (EMC) requirements

NOTE Requirements for accessories incorporating electronic components are not included as the need has not yet been established.

29.1 Immunity

29.1.1 Accessories not incorporating electronic components

These accessories are not sensitive to normal electromagnetic disturbances and therefore no immunity tests are required.

29.2 Emission

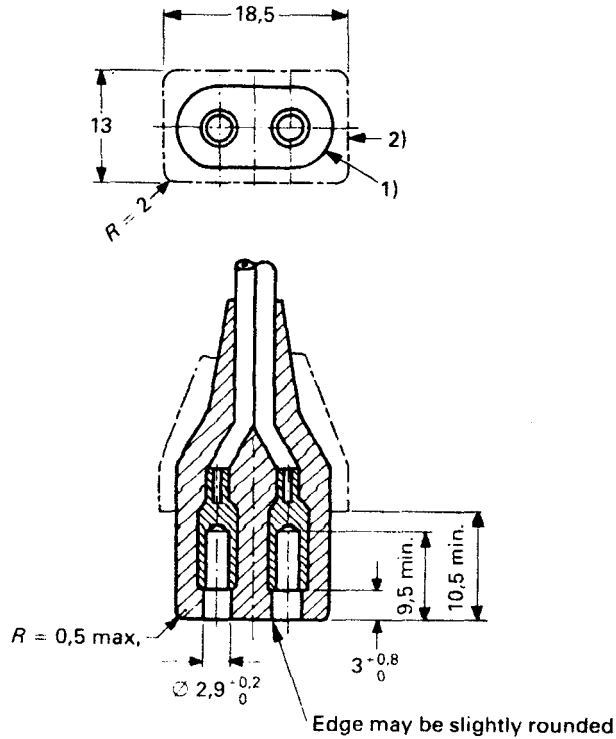
29.2.1 Accessories not incorporating electronic components

These accessories do not generate electromagnetic disturbances; consequently no emission tests are necessary.

NOTE These accessories may only generate electromagnetic disturbances during occasional operations of insertion and withdrawal of the accessories. The frequency, the level and the consequences of these emissions are considered as part of the normal electromagnetic environment.

STANDARD SHEET C1

0,2 A 250 V CONNECTOR
FOR CLASS II EQUIPMENT
FOR COLD CONDITIONS
(non-rewirable only)



Dimensions in millimetres

The centre distance and the design of the contacts as well as the dimensions and the design of the front part shall be such that

- the connector will enter, to the full depth, the gauge of figure 2 and will not enter gauges of figures 6, 7 and 8;
- the connector complies with the requirements of 16 and 17;
- the thickness of the insulation surrounding the contacts is not less than 1,5 mm.

The outline 1) of the front part shall not be exceeded or decreased, at any point, within a distance of 10,5 mm from the engagement face.

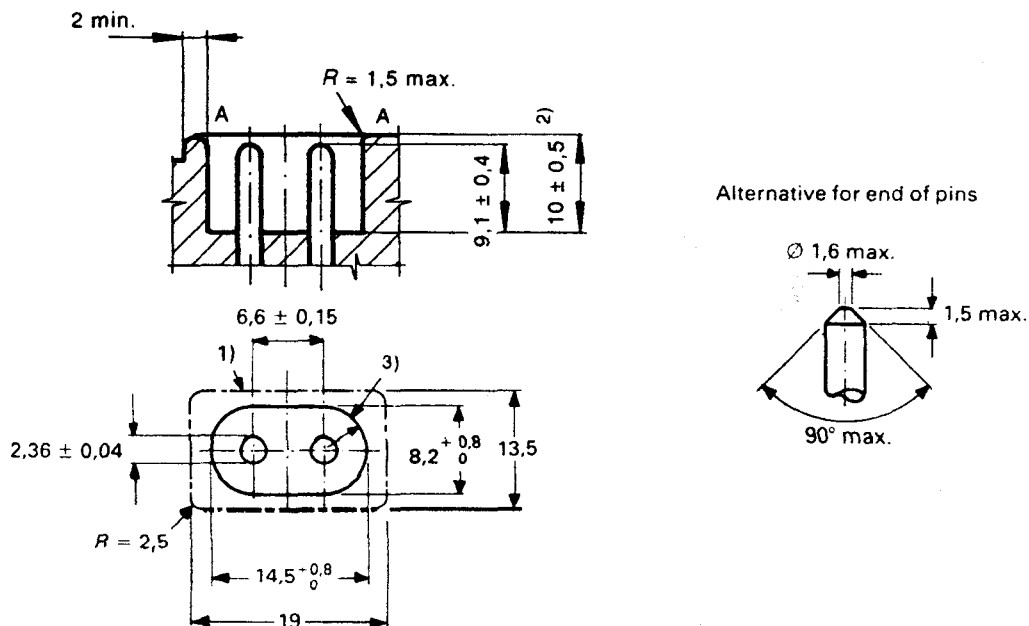
The outline 2) of the rear part shall not be exceeded in any section perpendicular to the axis of the connector, except that, for connectors with lateral cord entry and for those combined with other accessories, this limitation does not apply in the direction of the axis of the cord or of the actuating member.

The contacts may be floating.

The sketches are not intended to govern design, except as regards the dimensions shown.

STANDARD SHEET C2

0,2 A 250 V APPLIANCE INLET
FOR CLASS II EQUIPMENT
FOR COLD CONDITIONS



Dimensions in millimetres

The ends of the pins may be spherical or conical of the form shown.

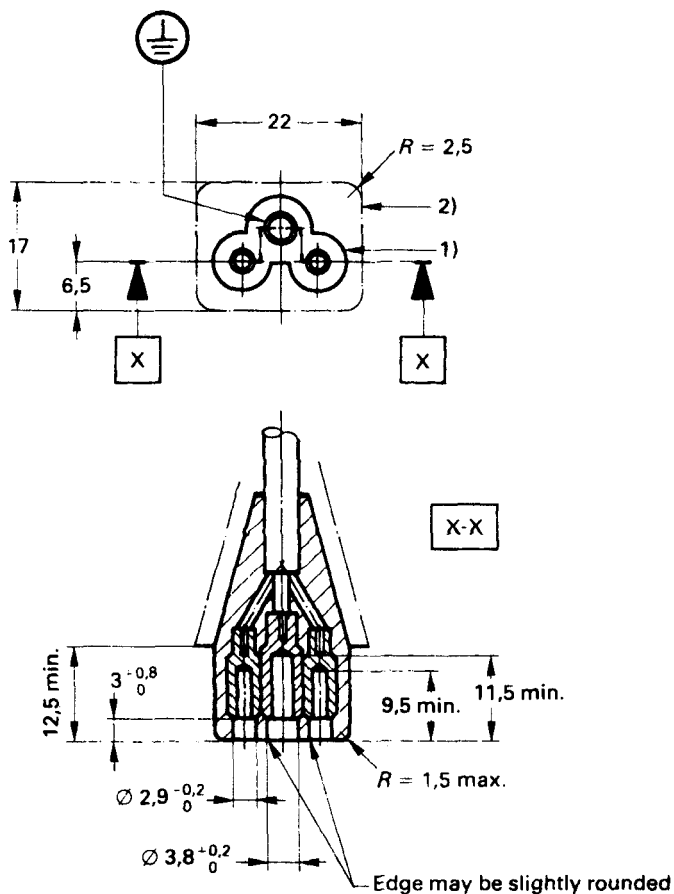
The outline 3) shall be at a distance of $10 \text{ mm} \pm 0,5 \text{ mm}$ from the engagement face at the bottom of the inlet. The distance from the engagement face at the bottom of the inlet to plane A-A may, however, be less elsewhere within the area 1). Plane A-A need not necessarily be extended to the outline of area 1). A rim which is slightly rounded on top is allowed around the recess if it has a thickness of at least 1,5 mm. Retaining devices or parts thereof may be within the area 1). No other parts of the inlet may protrude beyond plane A-A.

2) For appliance inlets arranged countersunk in the outer surface of equipment, and if this surface is curved or inclined with respect to the axis of the appliance inlet, this dimension shall be not more than 10,5 mm; the minimum shall be determined in accordance with 9.5.

The sketches are not intended to govern design, except as regards the dimensions shown.

STANDARD SHEET C5

2,5 A 250 V CONNECTOR
FOR CLASS I EQUIPMENT
FOR COLD CONDITIONS
(non-rewirable only)



Dimensions in millimetres

The centre distance and the design of the contacts as well as the dimensions and the design of the front part shall be such that:

- the connector will enter, to the full depth, the gauge of figure 4 and will not enter gauges of figure 7;
- the connector complies with the requirements of 16 and 17;
- the thickness of the insulation surrounding the contacts is not less than 1,5 mm.

The outline 1) of the front part shall not be exceeded or decreased, at any point, within a distance of 12,5 mm from the engagement face.

The outline 2) of the rear part shall not be exceeded in any section perpendicular to the axis of the connector, except that, for connectors with lateral cord entry and for those combined with other accessories, this limitation does not apply in the direction of the axis of the cord or of the actuating member.

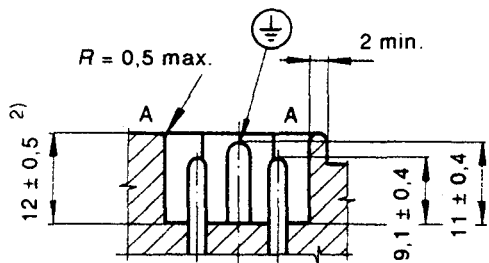
The contacts may be floating.

The sketches are not intended to govern design, except as regards the dimensions shown.

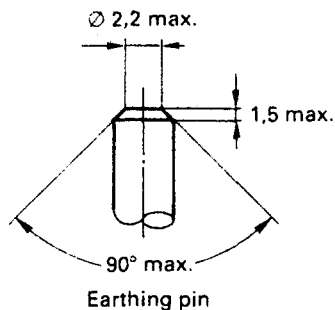
For the symbols indicating the tolerance of form or of position, see ISO 1101.

STANDARD SHEET C6

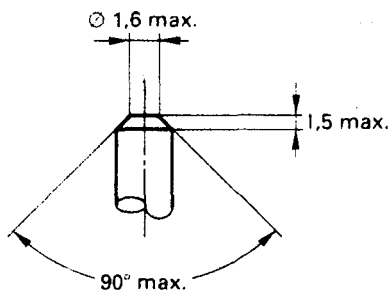
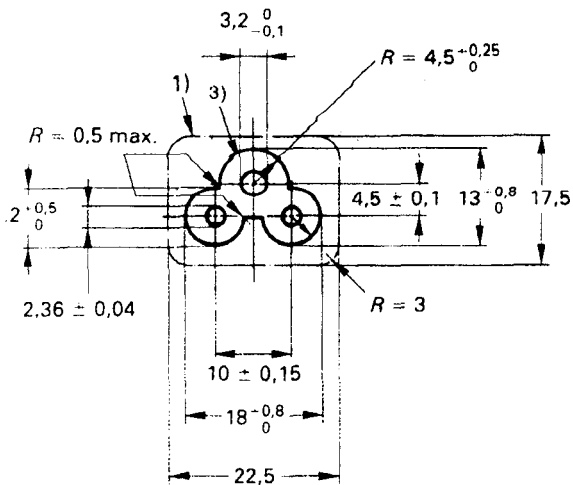
2,5 A 250 V APPLIANCE INLET
FOR CLASS I EQUIPMENT
FOR COLD CONDITIONS



Alternatives for end of pins



Earthing pin



Current-carrying pins

Dimensions in millimetres

The ends of the pins may be spherical or conical of the form shown.

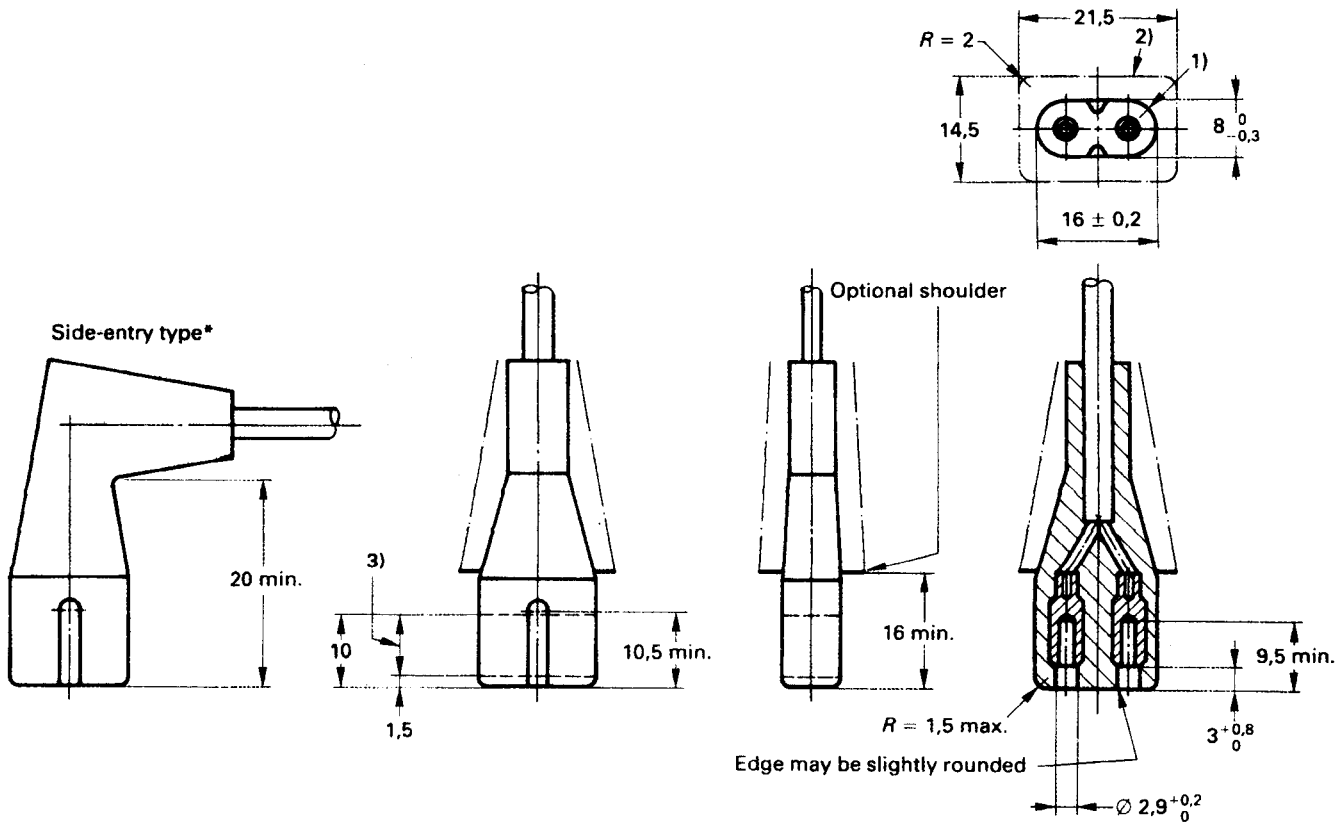
The outline 3) shall be at a distance of 12 mm ± 0,5 mm from the engagement face at the bottom of the inlet. The distance from the engagement face at the bottom of the inlet to plane A-A may, however, be less elsewhere within the area 1). Plane A-A need not necessarily be extended to the outline of area 1). A rim which is slightly rounded on top is allowed around the recess if it has a thickness of at least 1,5 mm. Retaining devices or parts thereof may be within the area 1). No other parts of the inlet may protrude beyond plane A-A.

2) For appliance inlets arranged countersunk in the outer surface of equipment, and if this surface is curved or inclined with respect to the axis of the appliance inlet, this dimension shall be not more than 12,5 mm; the minimum shall be determined in accordance with 9.5.

The sketches are not intended to govern design, except as regards the dimensions shown.

STANDARD SHEET C7

2,5 A 250 V CONNECTOR
FOR CLASS II EQUIPMENT
FOR COLD CONDITIONS
(non-rewirable only)



Dimensions in millimetres

The centre distance and the design of the contacts as well as the dimensions and the design of the front part shall be such that

- the connector will enter, to the full depth, the gauge of figures 5 and 5A and will not enter gauges of figures 7 and 8;
- the connector complies with the requirements of 16 and 17;
- the thickness of the insulation surrounding the contacts is not less than 1,5 mm.

The outline 1) of the front part shall not be exceeded or decreased, at any point, within a distance of 16 mm from the engagement face.

The outline 2) of the rear part shall not be exceeded in any section perpendicular to the axis of the connector, except that, for connectors with lateral cord entry and for those combined with other accessories, this limitation does not apply in the direction of the axis of the cord or of the actuating member.

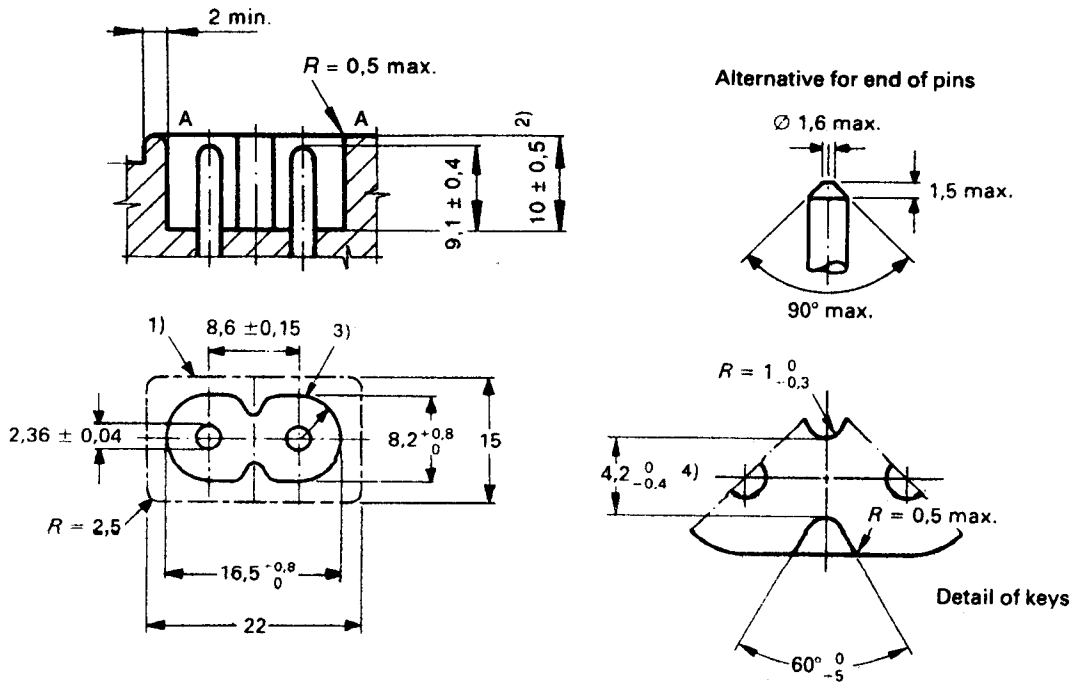
Within the area 3) the connector shall comply with the requirements of 23.6.

The contacts may be floating.

The sketches are not intended to govern design, except as regards the dimensions shown.

* This sketch is intended only to indicate the dimension 20 mm min. from the engagement face to the "tail" of the connector. It does not preclude constructions of side-entry connectors in which the axis of the cord is not in the plane through the axial axes of the socket contacts (as shown) but perpendicular to that plane.

STANDARD SHEET C8
 2,5 A 250 V APPLIANCE INLET
 FOR CLASS II EQUIPMENT
 FOR COLD CONDITIONS
 STANDARD TYPE*



Dimensions in millimetres

The ends of the pins may be spherical or conical of the form shown.

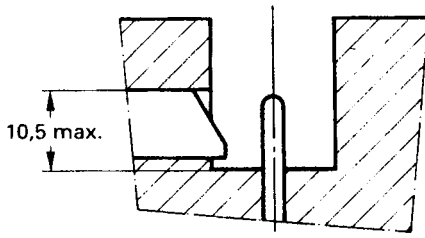
The outline 3) shall be at a distance of $10 \text{ mm} \pm 0,5 \text{ mm}$ from the engagement face at the bottom of the inlet. The distance from the engagement face at the bottom of the inlet to plane A-A may, however, be less elsewhere within the area 1). Plane A-A need not necessarily be extended to the outline of area 1). A rim which is slightly rounded on top is allowed around the recess if it has a thickness of at least 1,5 mm. Retaining devices or parts thereof may be within the area 1). No other parts of the inlet may protrude beyond plane A-A.

2) For appliance inlets arranged countersunk in the outer surface of equipment, and if this surface is curved or inclined with respect to the axis of the appliance inlet, this dimension shall be not more than 10,5 mm; the minimum shall be determined in accordance with 9.5.

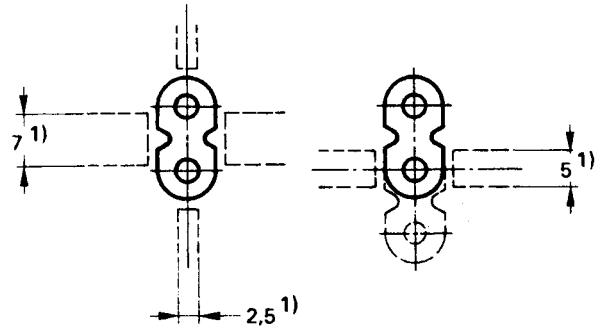
4) Also to be checked by means of the gauge of figure 9.

* This type of appliance inlet is standardized because of existing types of connectors with 10,5 mm distance between engagement face and shoulder.

POSITIONS OF SWITCH CAMS
(applicable to appliance inlets to standard sheets C8, C8A and C8B)



The operation of the switch shall be effected 1,5 mm before full engagement of the connector



For appliance inlets to standard sheets C8 and C8A

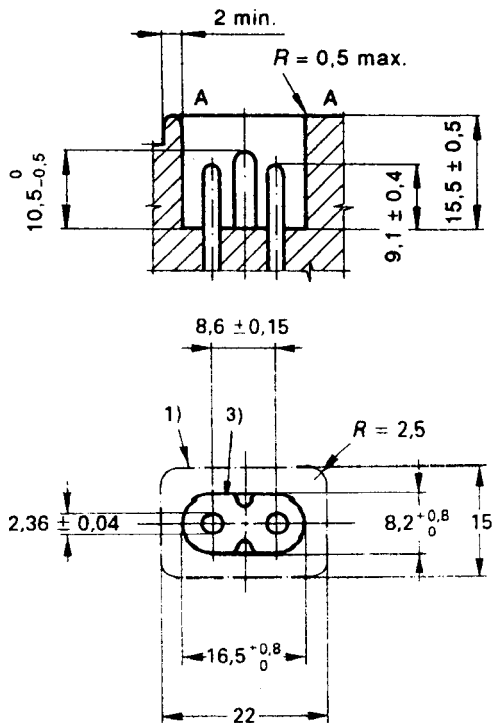
For appliance inlets to standard sheet C8B

1) Minimum dimensions of the switch cams. A key is not required where a switch cam is situated.

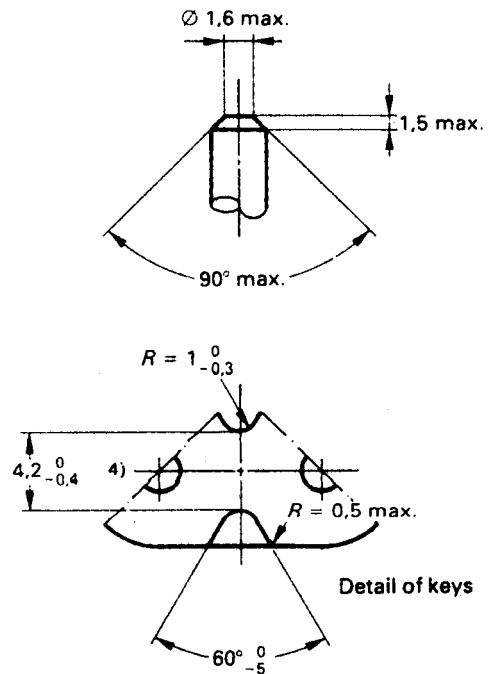
The sketches are not intended to govern design, except as regards the dimensions shown.

STANDARD SHEET C8A

2,5 A 250 V APPLIANCE INLET
FOR CLASS II EQUIPMENT
FOR COLD CONDITIONS



Alternative for end of pins



Dimensions in millimetres

The ends of the pins may be spherical or conical of the form shown.

The outline 3) shall be at a distance of $15,5 \text{ mm} \pm 0,5 \text{ mm}$ from the engagement face at the bottom of the inlet. The distance from the engagement face at the bottom of the inlet to plane A-A may, however, be less elsewhere within the area 1). Plane A-A need not necessarily be extended to the outline of area 1). A rim which is slightly rounded on top is allowed around the recess if it has a thickness of at least 1,5 mm. Retaining devices or parts thereof may be within the area 1). No other parts of the inlet may protrude beyond plane A-A.

The appliance inlet shall not be mounted in the outer surface of equipment which is curved or inclined with respect to the axis of the appliance inlet.

For the position of switch cams, see standard sheet C8.

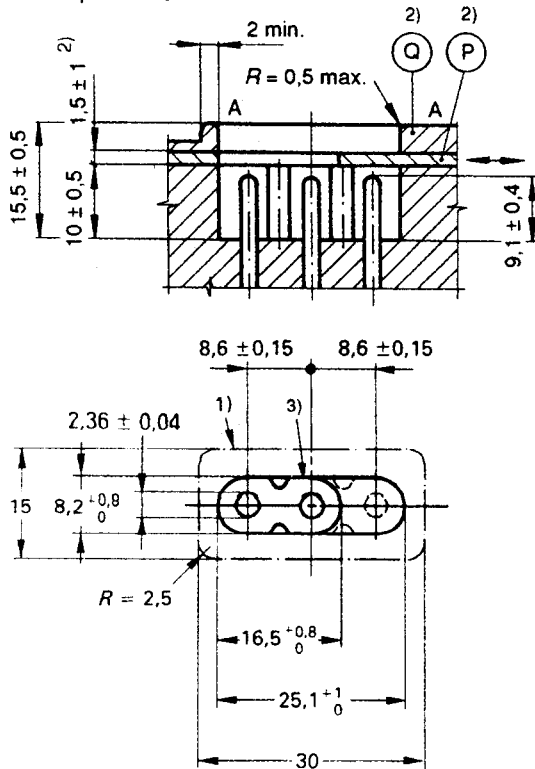
2) Also to be checked by means of the gauge of figure 9.

The sketches are not intended to govern design, except as regards the dimension shown.

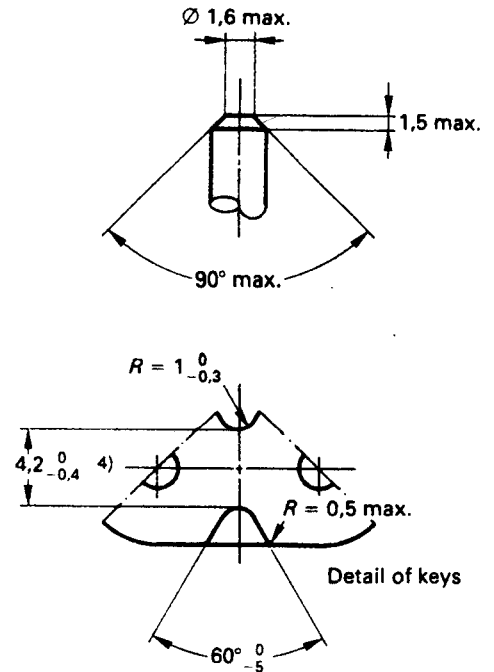
STANDARD SHEET C8B

2,5 A 250 V APPLIANCE INLET
FOR CLASS II EQUIPMENT
FOR COLD CONDITIONS

for alternative connection of the equipment to two different main voltages

All dimensions to be observed with part P
in both extreme positions

Alternative for end of pins



Dimensions in millimetres

The ends of the pins may be spherical or conical of the form shown.

The outline 3) shall be at a distance of $15,5 \text{ mm} \pm 0,5 \text{ mm}$ from the engagement face at the bottom of the inlet. The distance from the engagement face at the bottom of the inlet to plane A-A may, however, be less elsewhere within the area 1). Plane A-A need not necessarily be extended to the outline of area 1). A rim which is slightly rounded on top is allowed around the recess if it has a thickness of at least $1,5 \text{ mm}$. Retaining devices or parts thereof may be within the area 1). No other parts of the inlet may protrude beyond plane A-A.

The hole in part P shall have no keys.

The configuration of the hole in part Q shall be an oval of $8,2^{+0,8}_0 \text{ mm} \times 25,1^{+1}_0 \text{ mm}$ and shall have no keys.

2) The part Q may be omitted if part P is otherwise fixed (for example, when it is a reversible part fixed by screws) in which case the thickness of part P shall be such that the dimensions $10 \text{ mm} \pm 0,5 \text{ mm}$ and $15,5 \text{ mm} \pm 0,5 \text{ mm}$ for the distance from the bottom of the inlet to part P and to plane A-A (which is then the outer surface of part P) respectively, are maintained.

The appliance inlet shall not be mounted in the outer surface of equipment which is curved or inclined with respect to the axis of the appliance inlet.

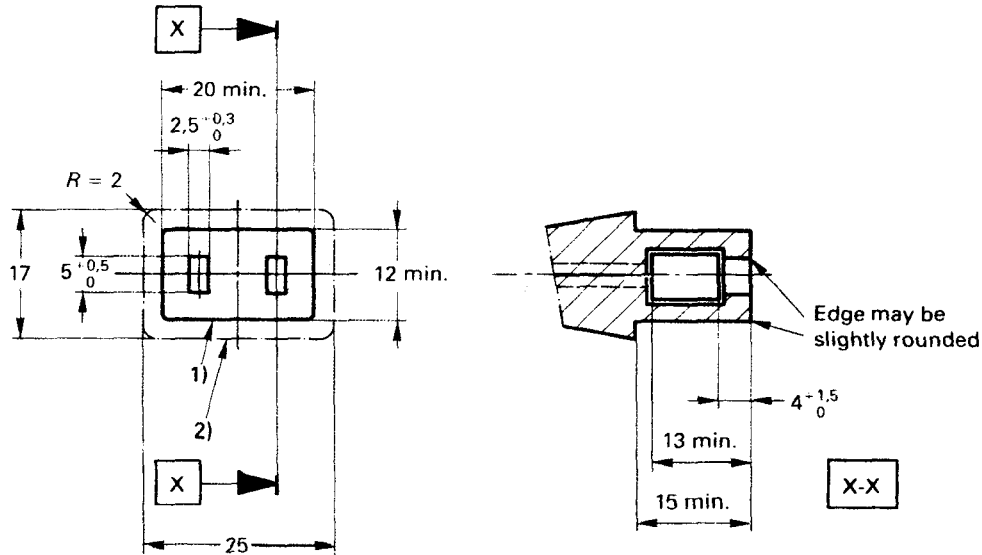
For the position of switch cams, see standard sheet C8.

4) Also to be checked by means of the gauge of figure 9.

The sketches are not intended to govern design, except as regards the dimension shown.

STANDARD SHEET C9

6 A 250 V CONNECTOR
FOR CLASS II EQUIPMENT
FOR COLD CONDITIONS
(non-rewirable only)



Dimensions in millimetres

The centre distance and the design of the contacts as well as the dimensions and the design of the front part shall be such that

- the connector will enter, to the full depth, an appliance inlet to standard sheet C10, having the minimum length and breadth;
- the connector complies with the requirements of 16 and 17;
- the thickness of the insulation surrounding the contacts is not less than 1,5 mm.

The outline 1) of the front part shall not be exceeded or decreased, at any point, within a distance of 15 mm from the engagement face.

The outline 2) of the rear part shall not be exceeded in any section perpendicular to the axis of the connector, except that, for connectors with lateral cord entry and for those combined with other accessories, this limitation does not apply in the direction of the axis of the cord or of the actuating member.

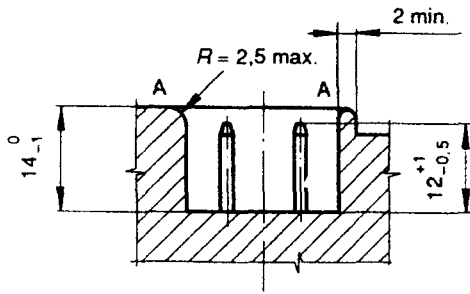
The contacts may be floating.

The sketches are not intended to govern design, except as regards the dimensions shown.

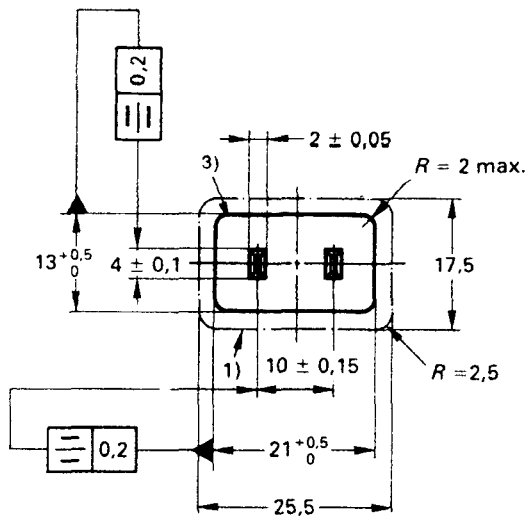
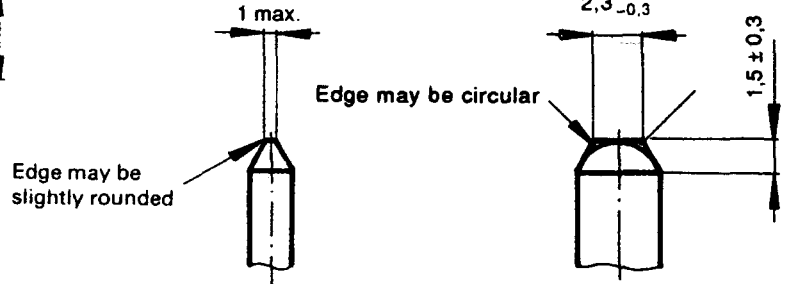
For the symbols indicating the tolerance of form or of position, see ISO 1101.

STANDARD SHEET C10

6 A 250 V APPLIANCE INLET
FOR CLASS II EQUIPMENT
FOR COLD CONDITIONS



Permissible variation for the end of pins



Alternatives for the shape of pins



Dimensions in millimetres

The outline 3) shall be at a distance of 14_{-1}^0 mm from the engagement face at the bottom of the inlet. The distance from the engagement face at the bottom of the inlet to plane A-A may, however, be less elsewhere within the area 1). Plane A-A need not necessarily be extended to the outline of area 1). A rim which is slightly rounded on top is allowed around the recess if it has a thickness of at least 1,5 mm. Retaining devices or parts thereof may be within the area 1). No other parts of the inlet may protrude beyond plane A-A.

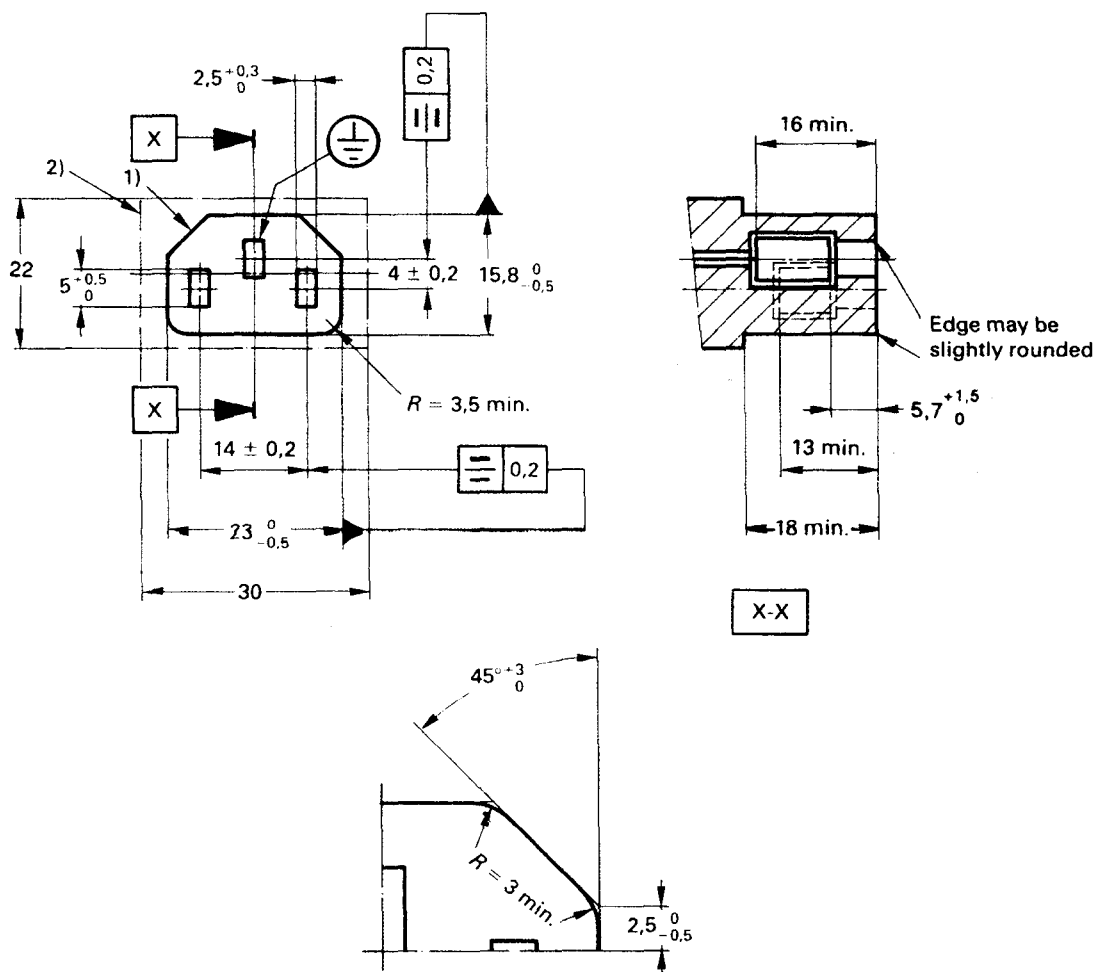
2) For appliance inlets arranged countersunk in the outer surface of equipment and if this surface is curved or inclined with respect to the axis of the appliance inlet, this dimension shall be not more than 14 mm; the minimum shall be determined in accordance with 9.5.

The sketches are not intended to govern design, except as regards the dimension shown.

For the symbols indicating the tolerance of form or of position, see ISO 1101.

STANDARD SHEET C13

10 A 250 V CONNECTOR
FOR CLASS I EQUIPMENT
FOR COLD CONDITIONS



Dimensions in millimetres

The outline 1) of the front part shall not be exceeded or decreased, at any point, within a distance of 18 mm from the engagement face.

The outline 2) of the rear part shall not be exceeded in any section perpendicular to the axis of the connector, except that, for connectors with lateral cord entry and for those combined with other accessories, this limitation does not apply in the direction of the axis of the cord or of the actuating member.

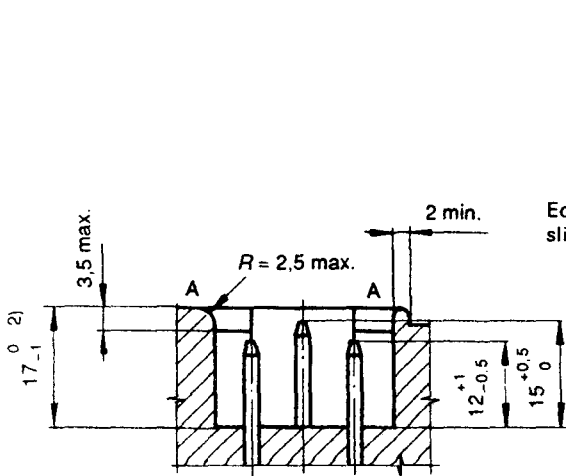
The contact may be floating.

The sketches are not intended to govern design, except as regards the dimensions shown.

For the symbols indicating the tolerance of form or of position, see ISO 1101.

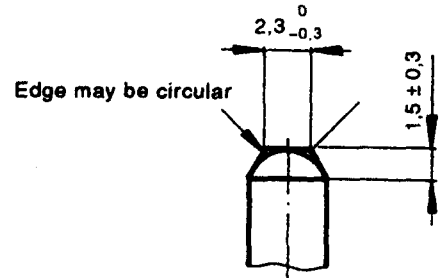
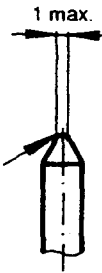
STANDARD SHEET C14

10 A 250 V APPLIANCE INLET
FOR CLASS I EQUIPMENT
FOR COLD CONDITIONS

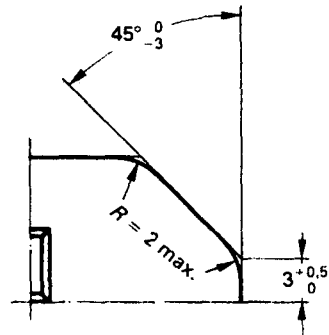
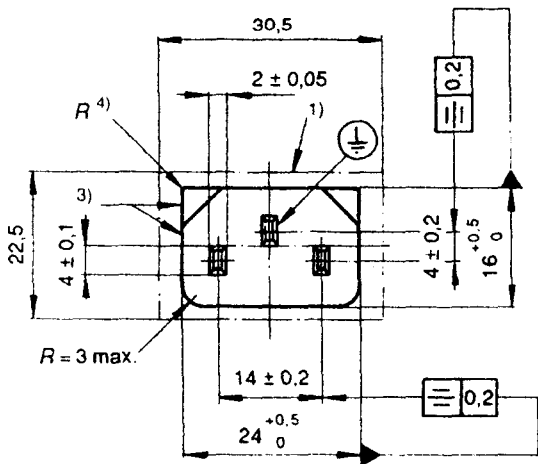
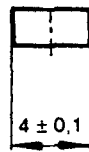


Edge may be slightly rounded

Permissible variation for the end of pins



Alternatives for the shape of pins



Dimensions in millimetres

The outline 3) shall be at a distance of 17_{-1}^0 mm from the engagement face at the bottom of the inlet. The distance from the engagement face at the bottom of the inlet to plane A-A may, however, be less elsewhere within the area 1). Plane A-A need not necessarily be extended to the outline of area 1). A rim which is slightly rounded on top is allowed around the recess if it has a thickness of at least 1.5 mm. Retaining devices or parts thereof may be within the area 1). No other parts of the inlet may protrude beyond plane A-A.

4) No radius is specified for the right-angled corners of outline 3). Their shape may be rounded, provided they remain outside of the angled internal corners which are optionally recessed to a maximum of 3.5 mm.

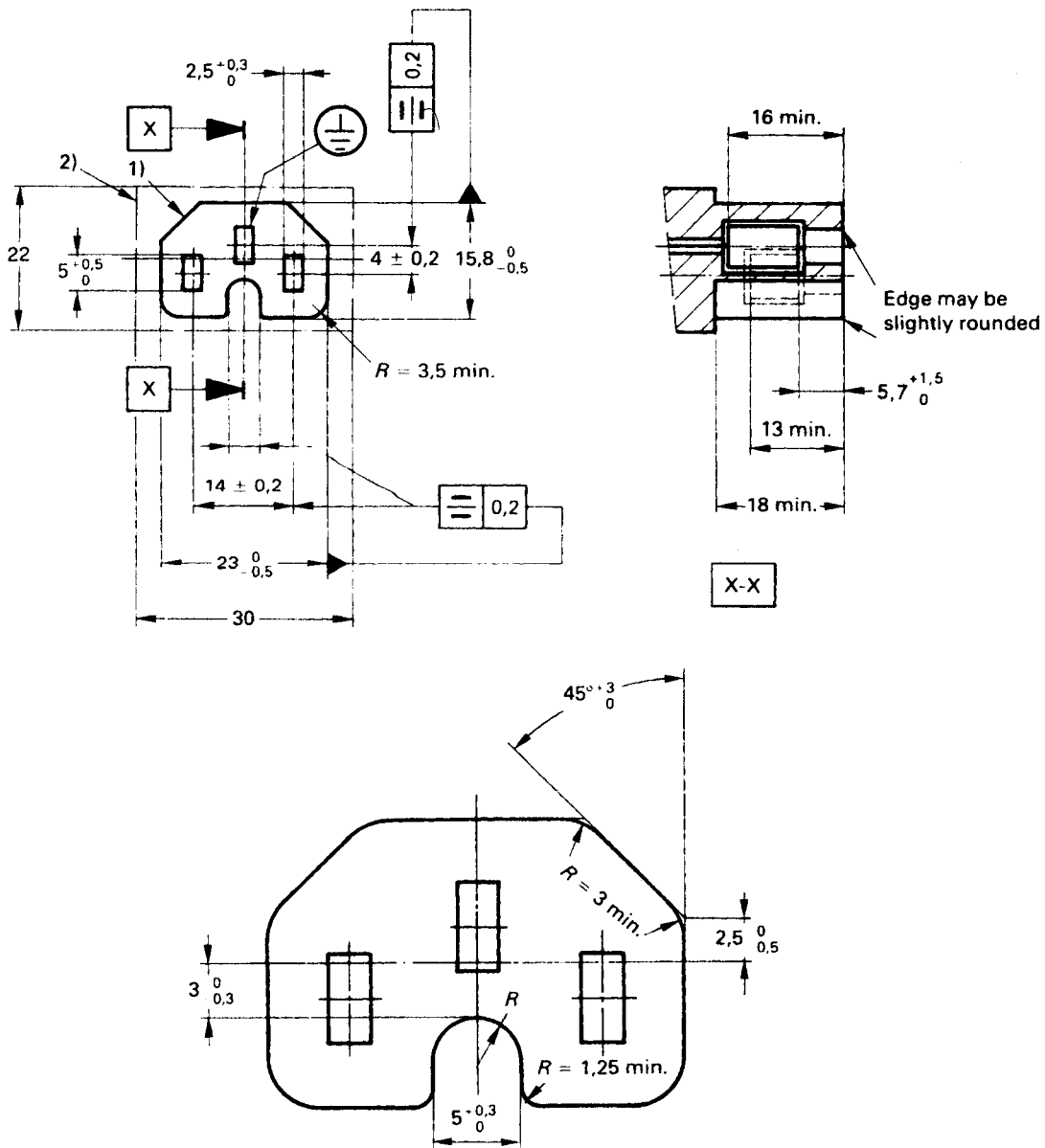
2) For appliance inlets arranged countersunk in the outer surface of equipment and if this surface is curved or inclined with respect to the axis of the appliance inlet, this dimension shall be not more than 17 mm; the minimum shall be determined in accordance with 9.5.

The sketches are not intended to govern design, except as regards the dimension shown.

For the symbols indicating the tolerance of form or of position, see ISO 1101.

STANDARD SHEET C15

10 A 250 V CONNECTOR
FOR CLASS I EQUIPMENT
FOR HOT CONDITIONS



Dimensions in millimetres

The outline 1) of the front part shall not be exceeded or decreased, at any point, within a distance of 18 mm from the engagement face.

The outline 2) of the rear part shall not be exceeded in any section perpendicular to the axis of the connector, except that, for connectors with lateral cord entry and for those combined with other accessories, this limitation does not apply in the direction of the axis of the cord or of the actuating member.

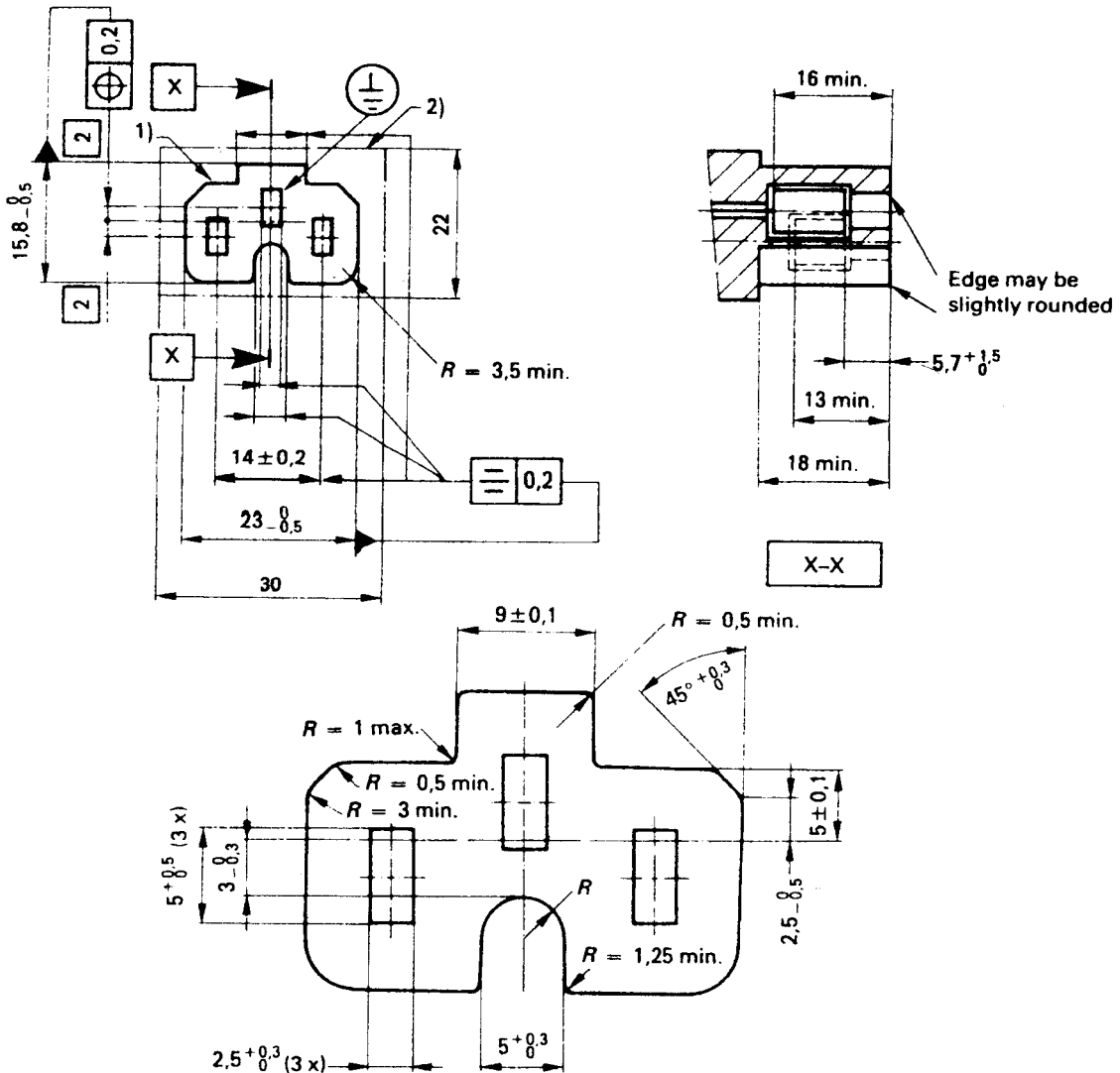
The contact may be floating.

The sketches are not intended to govern design, except as regards the dimensions shown.

For the symbols indicating the tolerance of form or of position, see ISO 1101.

STANDARD SHEET C15A

10 A 250 V CONNECTOR
FOR CLASS I EQUIPMENT
FOR VERY HOT CONDITIONS



Dimensions in millimetres

The outline 1) of the front part shall not be exceeded or decreased, at any point, within a distance of 18 mm from the engagement face.

The outline 2) of the rear part shall not be exceeded in any section perpendicular to the axis of the connector, except that, for connectors with lateral cord entry and for those combined with other accessories, this limitation does not apply in the direction of the axis of the cord or of the actuating member.

The contact may be floating.

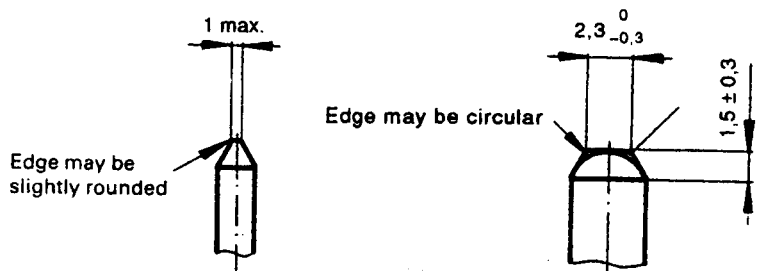
The sketches are not intended to govern design, except as regards the dimensions shown.

For the symbols indicating the tolerance of form or of position, see ISO 1101.

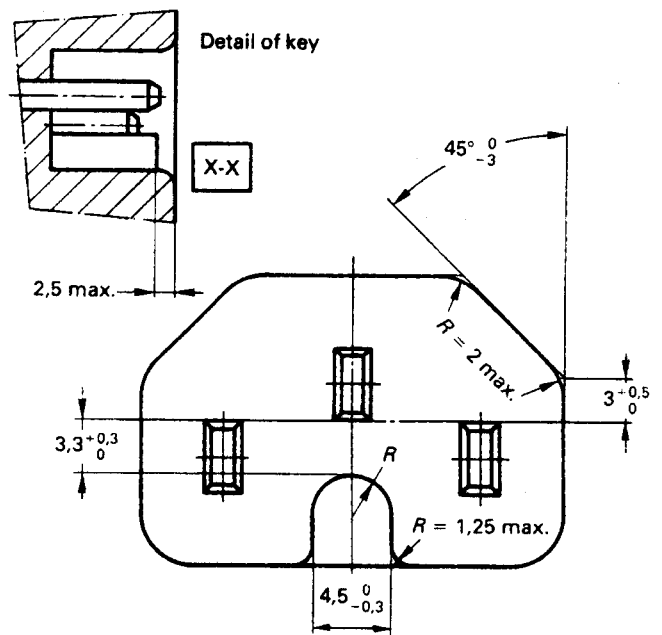
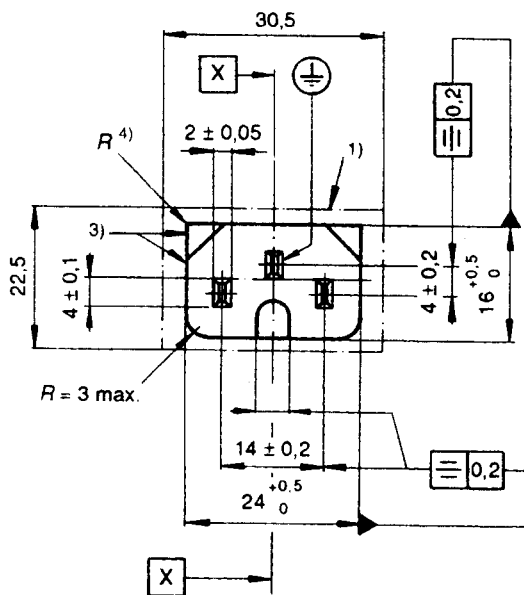
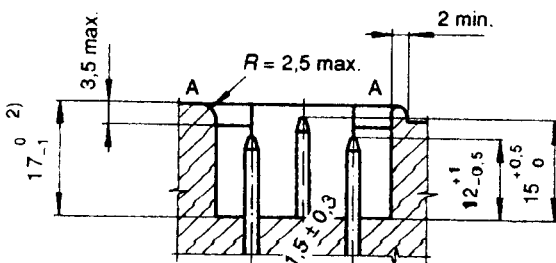
STANDARD SHEET C16

10 A 250 V APPLIANCE INLET
FOR CLASS I EQUIPMENT
FOR HOT CONDITIONS

Permissible variation for the end of pins



Alternatives for the shape of pins



Dimensions in millimetres

The outline 3) shall be at a distance of 17_{-1}^0 mm from the engagement face at the bottom of the inlet. The distance from the engagement face at the bottom of the inlet to plane A-A may, however, be less elsewhere within the area 1). Plane A-A need not necessarily be extended to the outline of area 1). A rim which is slightly rounded on top is allowed around the recess if it has a thickness of at least 1,5 mm. Retaining devices or parts thereof may be within the area 1). No other parts of the inlet may protrude beyond plane A-A.

4) No radius is specified for the right-angled corners of outline 3). Their shape may be rounded, provided they remain outside of the angled internal corners which are optionally recessed to a maximum of 3,5 mm.

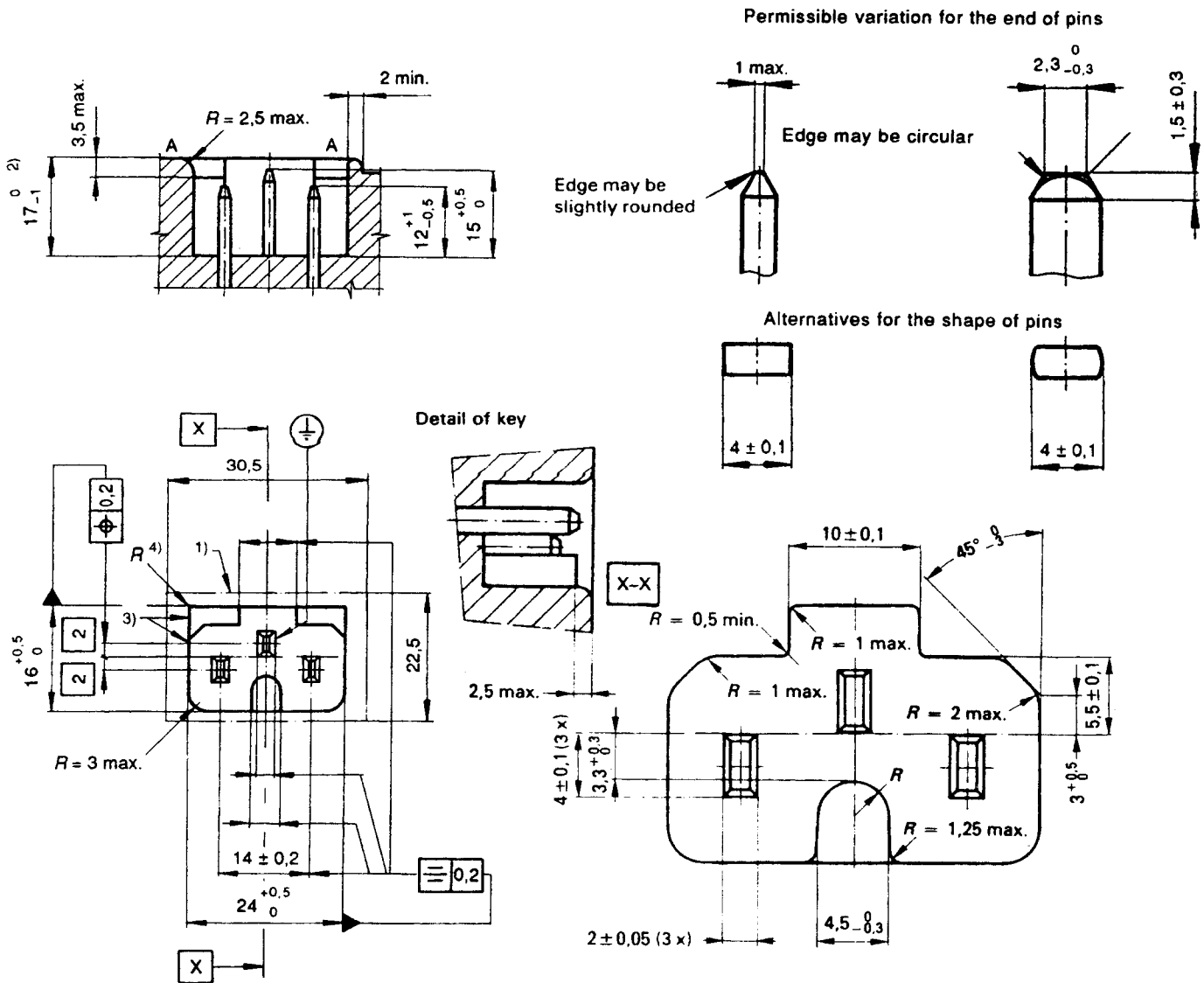
2) For appliance inlets arranged countersunk in the outer surface of equipment and if this surface is curved or inclined with respect to the axis of the appliance inlet, this dimension shall be not more than 17 mm; the minimum shall be determined in accordance with 9.5.

The sketches are not intended to govern design, except as regards the dimension shown.

For the symbols indicating the tolerance of form or of position, see ISO 1101.

STANDARD SHEET C16A

10 A 250 V APPLIANCE INLET
FOR CLASS I EQUIPMENT
FOR VERY HOT CONDITIONS



Dimensions in millimetre

The outline 3) shall be at a distance of 17_{-1}^0 mm from the engagement face at the bottom of the inlet. The distance from the engagement face at the bottom of the inlet to plane A-A may, however, be less elsewhere within the area 1). Plane A-A need not necessarily be extended to the outline of area 1). A rim which is slightly rounded on top is allowed around the recess if it has a thickness of at least 1,5 mm. Retaining devices or parts thereof may be within the area 1). No other parts of the inlet may protrude beyond plane A-A.

4) No radius is specified for the right-angled corners of outline 3). Their shape may be rounded, provided they remain outside of the angled internal corners which are optionally recessed to a maximum of 3,5 mm.

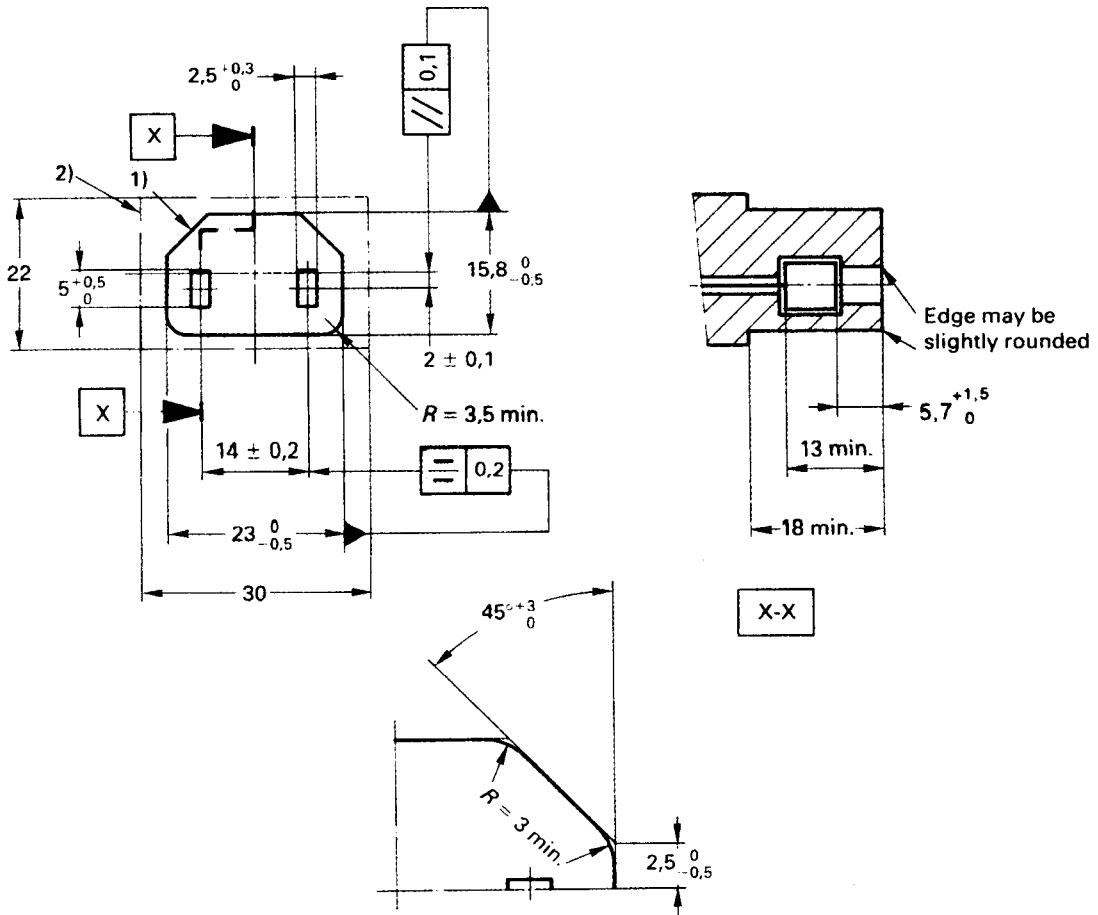
2) For appliance inlets arranged countersunk in the outer surface of equipment and if this surface is curved or inclined with respect to the axis of the appliance inlet, this dimension shall be not more than 17 mm; the minimum shall be determined in accordance with 9.5.

The sketches are not intended to govern design, except as regards the dimension shown.

For the symbols indicating the tolerance of form or of position, see ISO 1101.

STANDARD SHEET C17

10 A 250 V CONNECTOR
FOR CLASS II EQUIPMENT
FOR COLD CONDITIONS
(non-rewirable only)



Dimensions in millimetres

The outline 1) of the front part shall not be exceeded or decreased, at any point, within a distance of 18 mm from the engagement face.

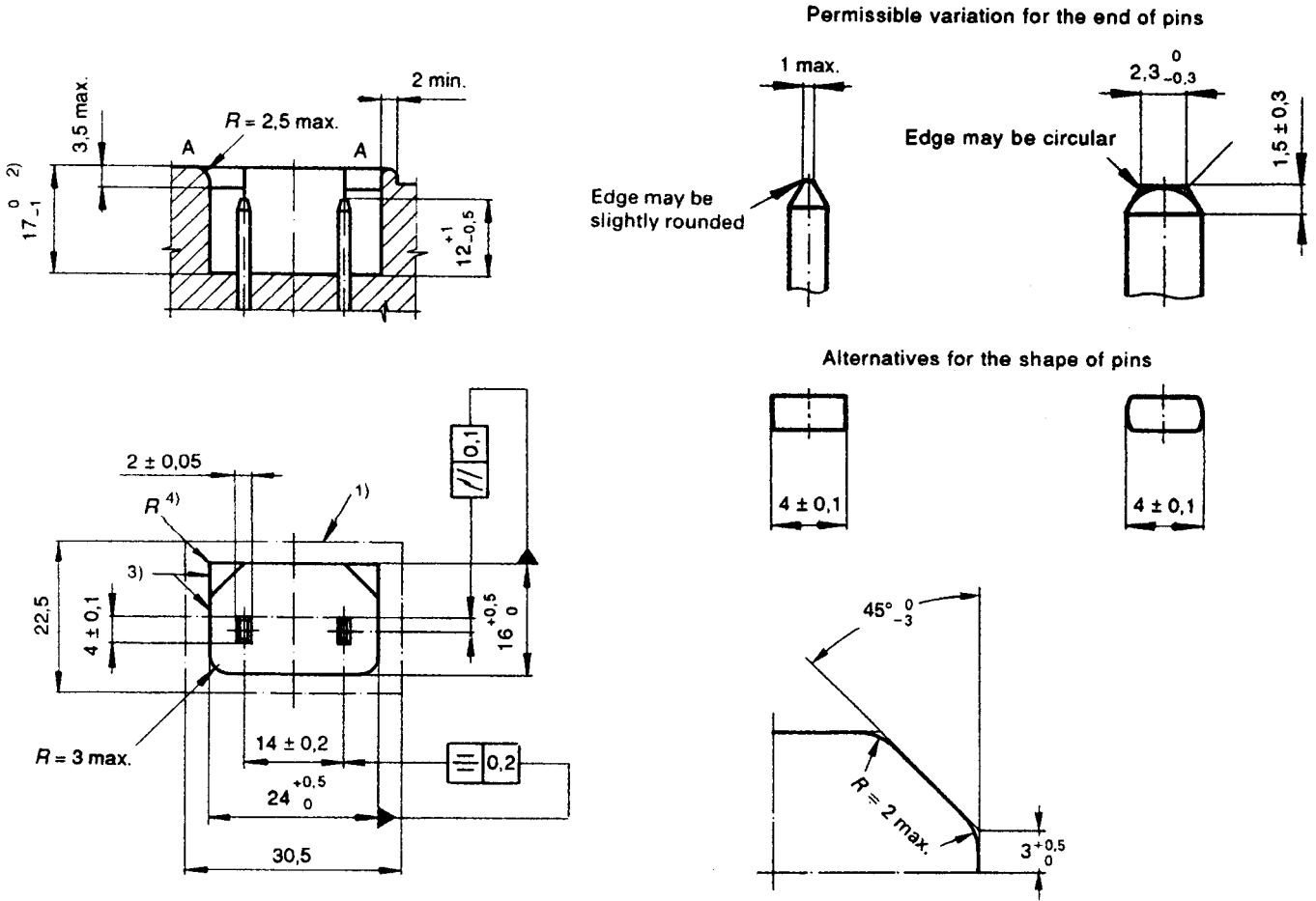
The outline 2) of the rear part shall not be exceeded in any section perpendicular to the axis of the connector, except that, for connectors with lateral cord entry and for those combined with other accessories, this limitation does not apply in the direction of the axis of the cord or of the actuating member.

The contact may be floating.

The sketches are not intended to govern design, except as regards the dimensions shown.

For the symbols indicating the tolerance of form or of position, see ISO 1101.

STANDARD SHEET C18
 10 A 250 V APPLIANCE INLET
 FOR CLASS II EQUIPMENT
 FOR COLD CONDITIONS



Dimensions in millimetres

The outline 3) shall be at a distance of 17_{-1}^0 mm from the engagement face at the bottom of the inlet. The distance from the engagement face at the bottom of the inlet to plane A-A may, however, be less elsewhere within the area 1). Plane A-A need not necessarily be extended to the outline of area 1). A rim which is slightly rounded on top is allowed around the recess if it has a thickness of at least 1,5 mm. Retaining devices or parts thereof may be within the area 1). No other parts of the inlet may protrude beyond plane A-A.

4) No radius is specified for the right-angled corners of outline 3). Their shape may be rounded, provided they remain outside of the angled internal corners which are optionally recessed to a maximum of 3,5 mm.

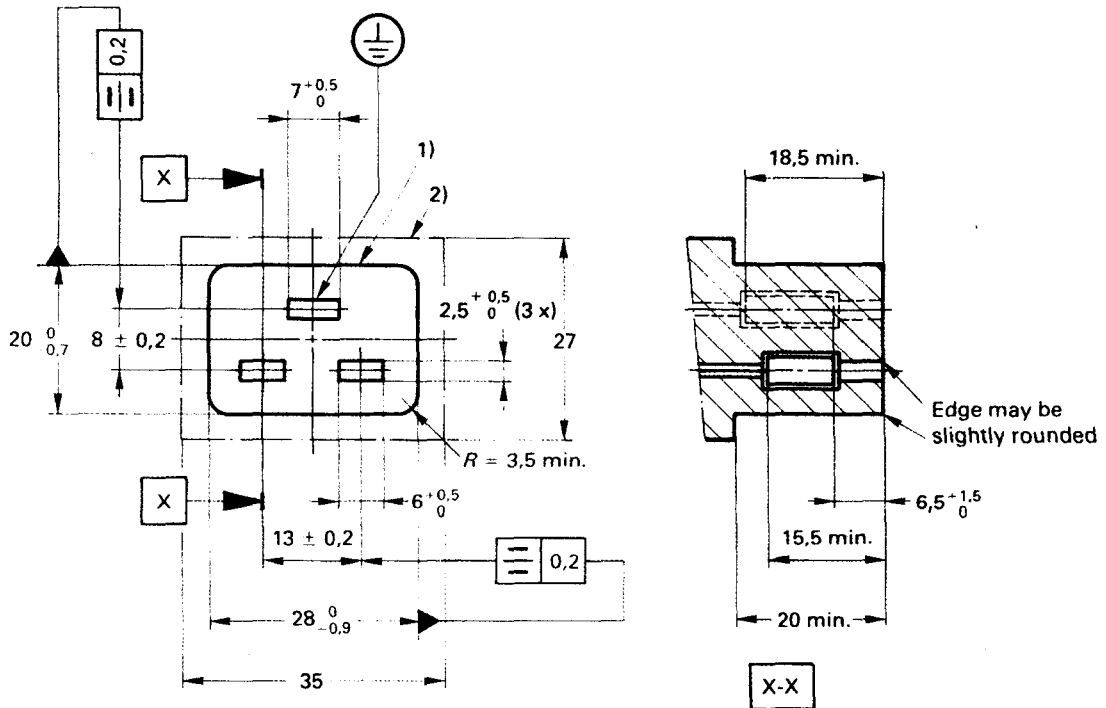
2) For appliance inlets arranged countersunk in the outer surface of equipment and if this surface is curved or inclined with respect to the axis of the appliance inlet, this dimension shall be not more than 17 mm; the minimum shall be determined in accordance with 9.5.

The sketches are not intended to govern design, except as regards the dimension shown.

For the symbols indicating the tolerance of form or of position, see ISO 1101.

STANDARD SHEET C19

16 A 250 V CONNECTOR
FOR CLASS I EQUIPMENT
FOR COLD CONDITIONS



Dimensions in millimetres

The outline 1) of the front part shall not be exceeded or decreased, at any point, within a distance of 20 mm from the engagement face.

The outline 2) of the rear part shall not be exceeded in any section perpendicular to the axis of the connector, except that, for connectors with lateral cord entry and for those combined with other accessories, this limitation does not apply in the direction of the axis of the cord or of the actuating member.

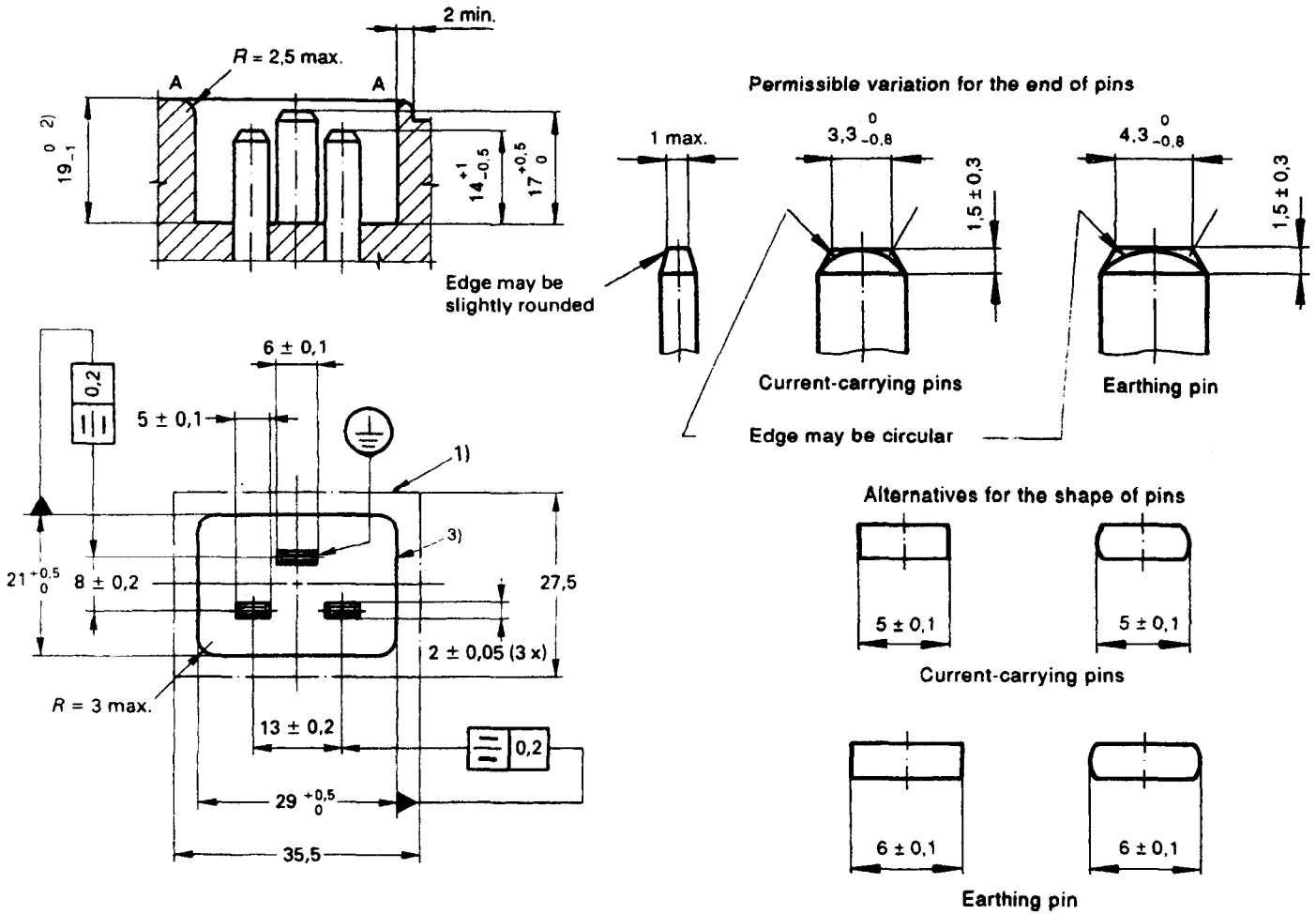
The contact may be floating.

The sketches are not intended to govern design, except as regards the dimensions shown.

For the symbols indicating the tolerance of form or of position, see ISO 1101.

STANDARD SHEET C20

16 A 250 V APPLIANCE INLET
FOR CLASS I EQUIPMENT
FOR COLD CONDITIONS



Dimensions in millimetres

The outline 3) shall be at a distance of $19 \begin{smallmatrix} 0 \\ -1 \end{smallmatrix}$ mm from the engagement face at the bottom of the inlet. The distance from the engagement face at the bottom of the inlet to plane A-A may, however, be less elsewhere within the area 1). Plane A-A need not necessarily be extended to the outline of area 1). A rim which is slightly rounded on top is allowed around the recess if it has a thickness of at least 1,5 mm. Retaining devices or parts thereof may be within the area 1). No other parts of the inlet may protrude beyond plane A-A.

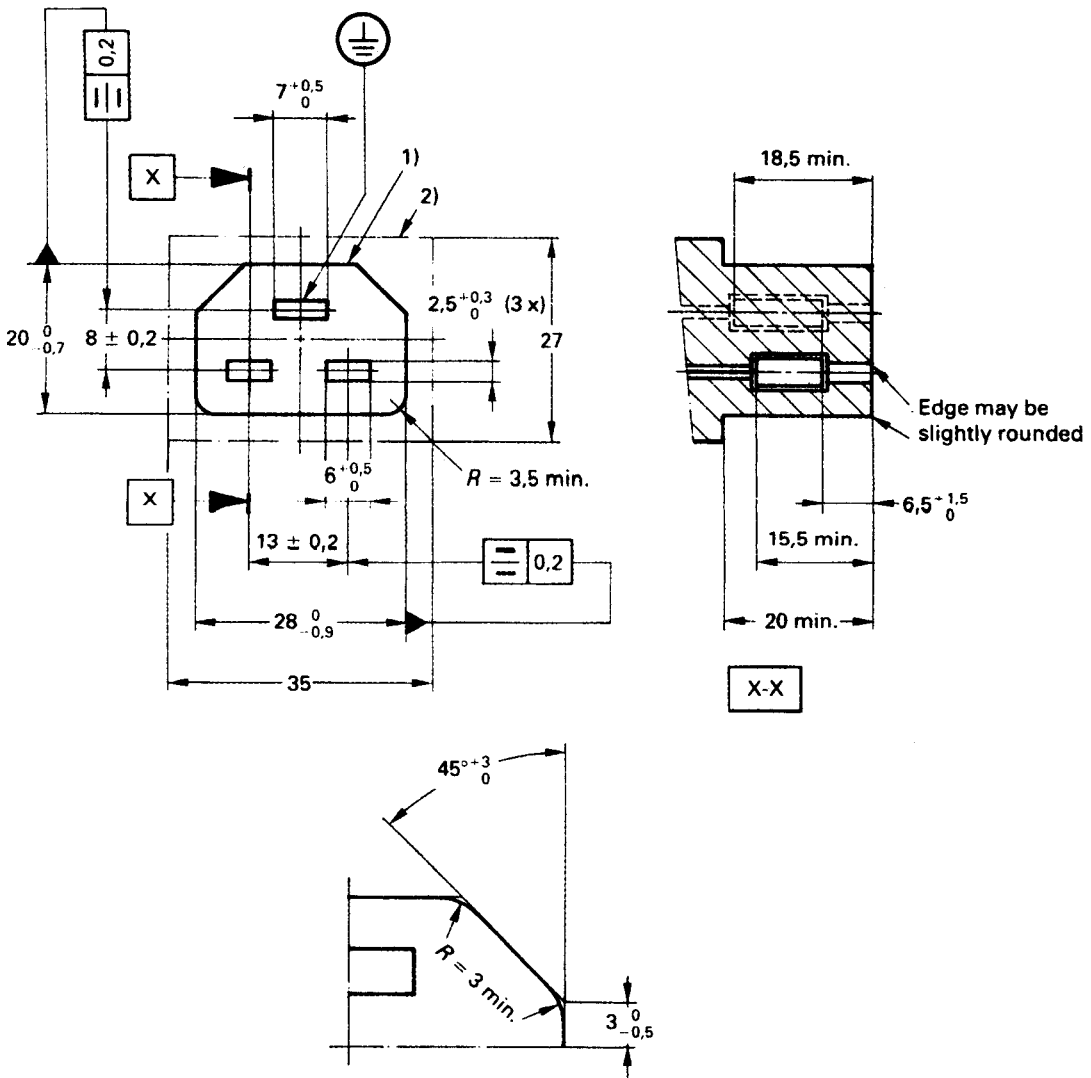
2) For appliance inlets arranged countersunk in the outer surface of equipment and if this surface is curved or inclined with respect to the axis of the appliance inlet, this dimension shall be not more than 19 mm; the minimum shall be determined in accordance with 9.5.

The sketches are not intended to govern design, except as regards the dimension shown.

For the symbols indicating the tolerance of form or of position, see ISO 1101.

STANDARD SHEET C21

16 A 250 V CONNECTOR
FOR CLASS I EQUIPMENT
FOR VERY HOT CONDITIONS



Dimensions in millimetres

The outline 1) of the front part shall not be exceeded or decreased, at any point, within a distance of 20 mm from the engagement face.

The outline 2) of the rear part shall not be exceeded in any section perpendicular to the axis of the connector, except that, for connectors with lateral cord entry and for those combined with other accessories, this limitation does not apply in the direction of the axis of the cord or of the actuating member.

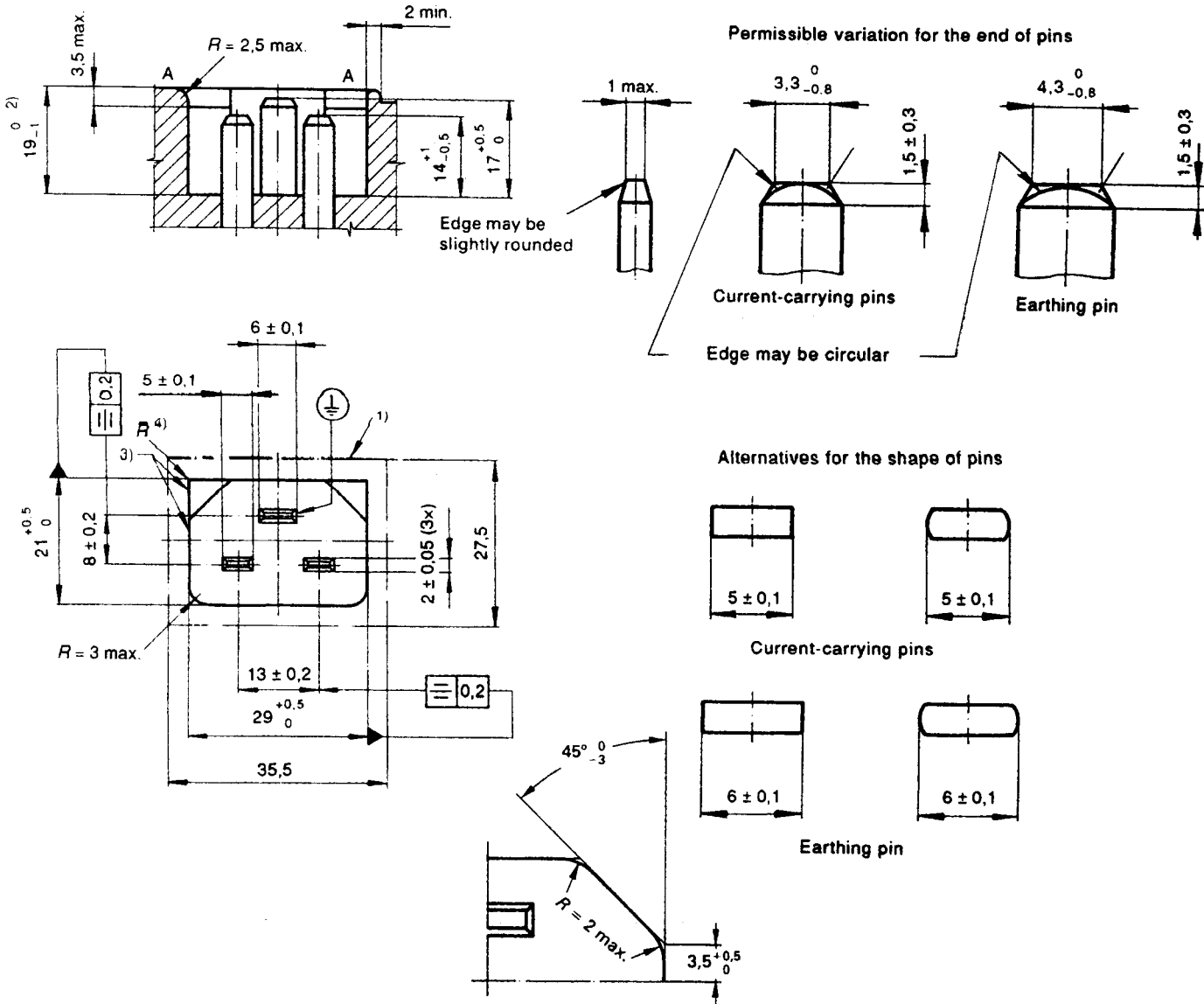
The contact may be floating.

The sketches are not intended to govern design, except as regards the dimensions shown.

For the symbols indicating the tolerance of form or of position, see ISO 1101.

STANDARD SHEET C22

16 A 250 V APPLIANCE INLET
FOR CLASS I EQUIPMENT
FOR VERY HOT CONDITIONS



Dimensions in millimetre

The outline 3) shall be at a distance of $19 \begin{smallmatrix} 0 \\ -1 \end{smallmatrix}$ mm from the engagement face at the bottom of the inlet. The distance from the engagement face at the bottom of the inlet to plane A-A may, however, be less elsewhere within the area 1). Plane A-A need not necessarily be extended to the outline of area 1). A rim which is slightly rounded on top is allowed around the recess if it has a thickness of at least 1,5 mm. Retaining devices or parts thereof may be within the area 1). No other parts of the inlet may protrude beyond plane A-A.

No radius is specified for the right-angled corners of outline 3). Their shape may be rounded, provided they remain outside of the angled internal corners which are optionally recessed to a maximum of 3,5 mm.

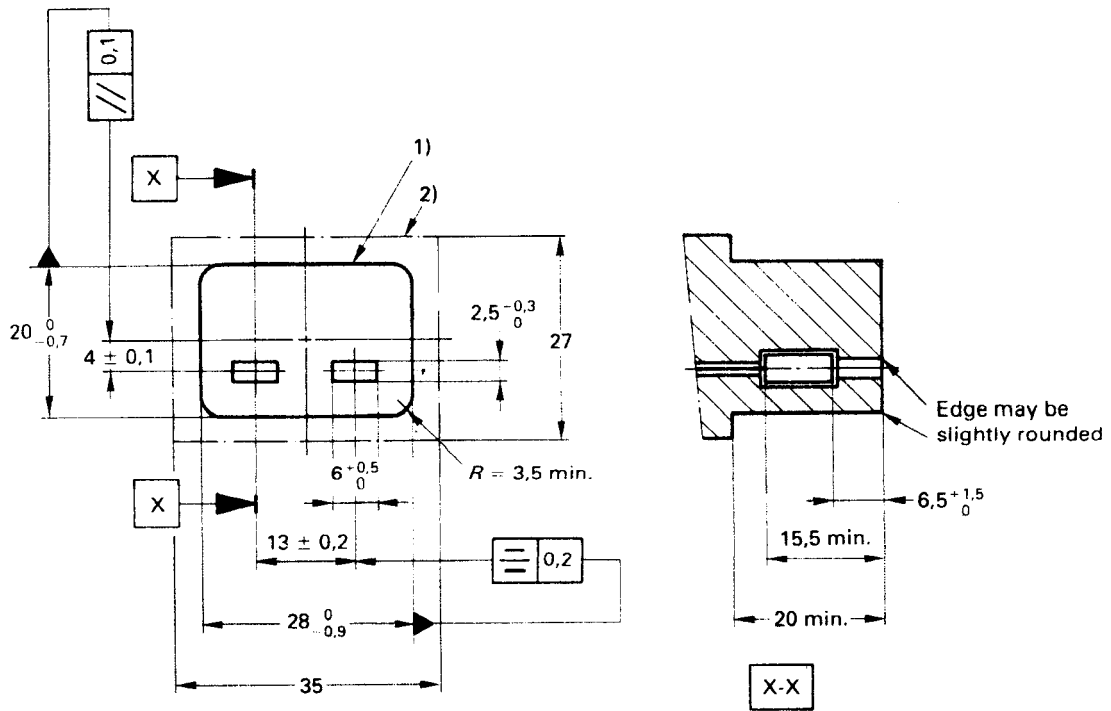
2) For appliance inlets arranged countersunk in the outer surface of equipment and if this surface is curved or inclined with respect to the axis of the appliance inlet, this dimension shall be not more than 19 mm; the minimum shall be determined in accordance with 9.5.

The sketches are not intended to govern design, except as regards the dimension shown.

For the symbols indicating the tolerance of form or of position, see ISO 1101.

STANDARD SHEET C23

16 A 250 V CONNECTOR
FOR CLASS II EQUIPMENT
FOR COLD CONDITIONS
(non-rewirable only)



Dimensions in millimetres

The outline 1) of the front part shall not be exceeded or decreased, at any point, within a distance of 20 mm from the engagement face.

The outline 2) of the rear part shall not be exceeded in any section perpendicular to the axis of the connector, except that, for connectors with lateral cord entry and for those combined with other accessories, this limitation does not apply in the direction of the axis of the cord or of the actuating member.

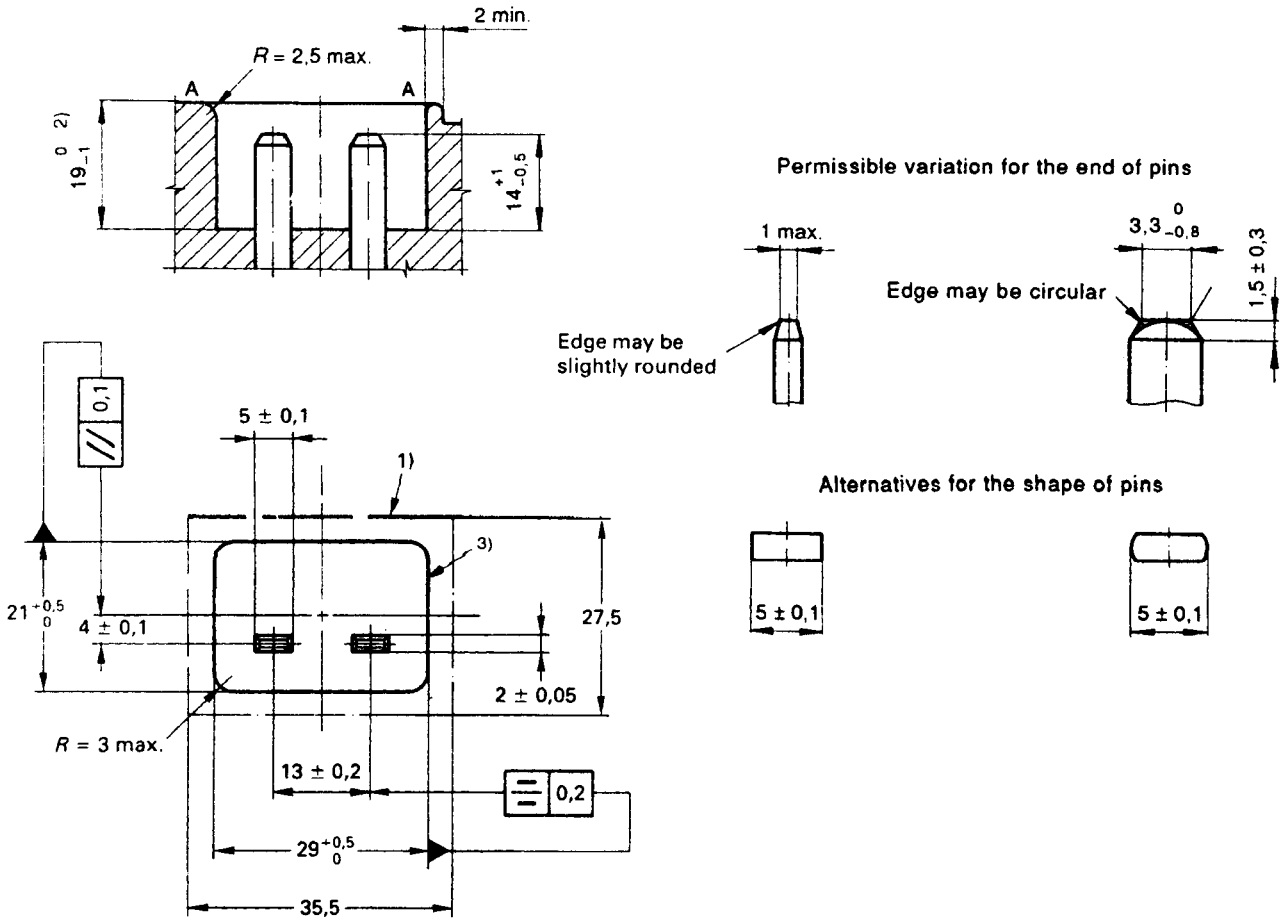
The contact may be floating.

The sketches are not intended to govern design, except as regards the dimensions shown.

For the symbols indicating the tolerance of form or of position, see ISO 1101.

STANDARD SHEET C24

16 A 250 V APPLIANCE INLET
FOR CLASS II EQUIPMENT
FOR COLD CONDITIONS



Dimensions in millimetres

The outline 3) shall be at a distance of 19_{-1}^0 mm from the engagement face at the bottom of the inlet. The distance from the engagement face at the bottom of the inlet to plane A-A may, however, be less elsewhere within the area 1). Plane A-A need not necessarily be extended to the outline of area 1). A rim which is slightly rounded on top is allowed around the recess if it has a thickness of at least 1,5 mm. Retaining devices or parts thereof may be within the area 1). No other parts of the inlet may protrude beyond plane A-A.

2) For appliance inlets arranged countersunk in the outer surface of equipment and if this surface is curved or inclined with respect to the axis of the appliance inlet, this dimension shall be not more than 19 mm; the minimum shall be determined in accordance with 9.5.

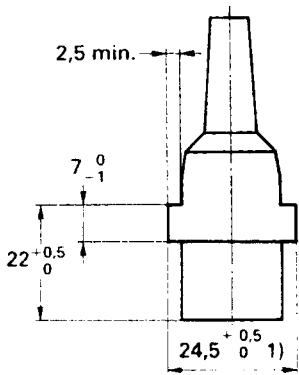
The sketches are not intended to govern design, except as regards the dimension shown.

For the symbols indicating the tolerance of form or of position, see ISO 1101.

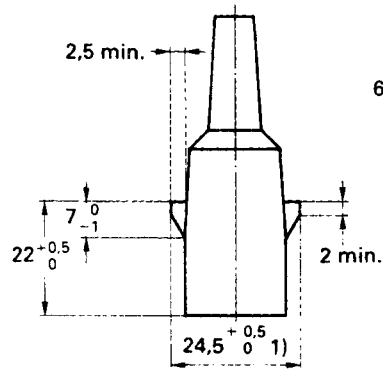
STANDARD SHEET C25
PROVISION FOR RETAINING DEVICES

DESIGN A

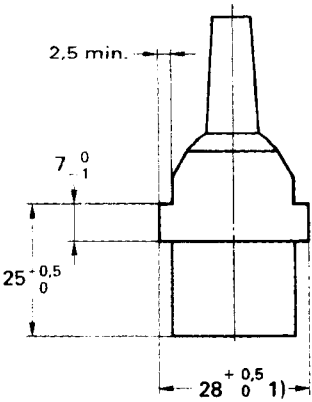
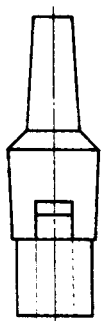
DESIGN B



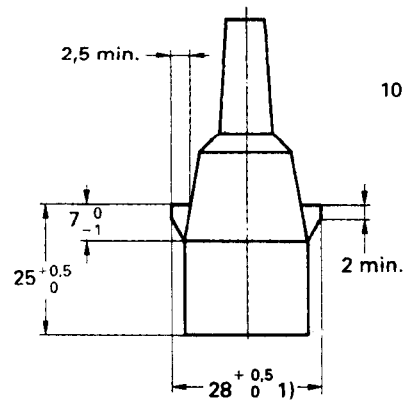
6 A



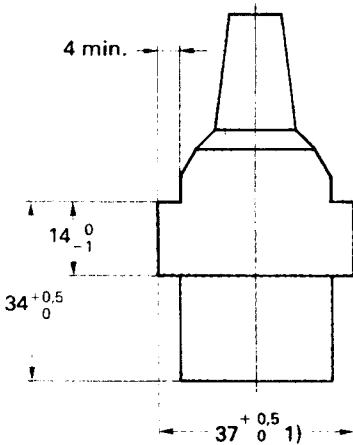
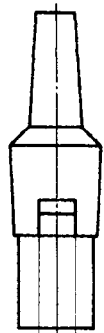
6 A



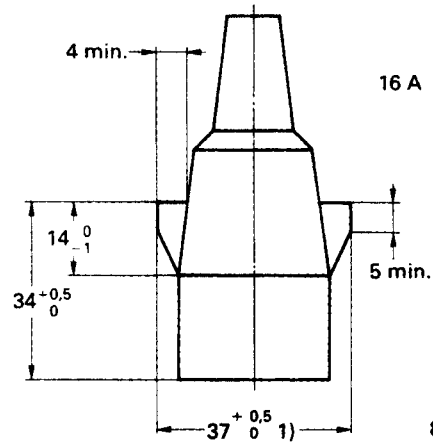
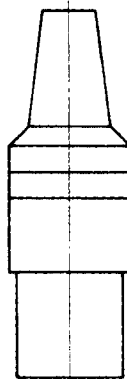
10 A



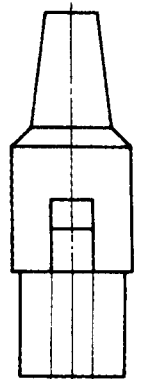
10 A



16 A



16 A



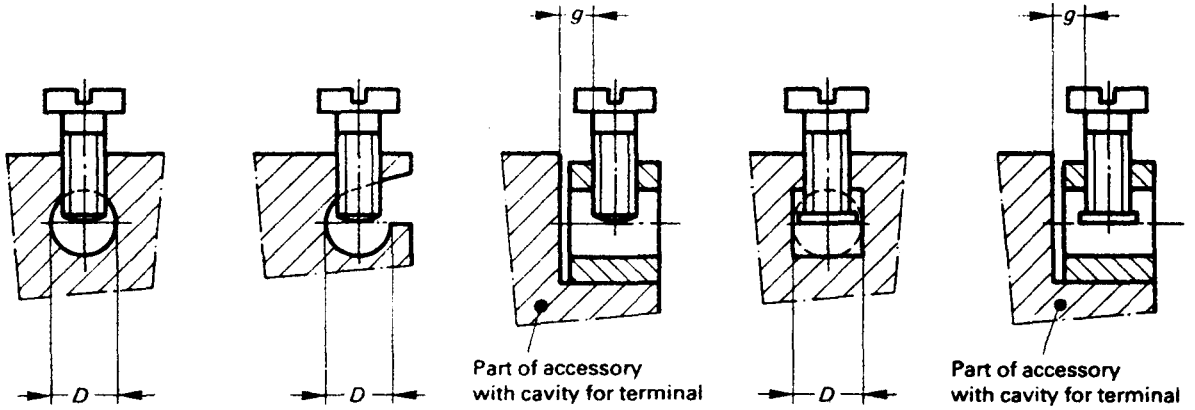
Dimensions in millimetres

- 1) This dimension shall not be exceeded within a distance from the engagement face of
- 28 mm for 6 A connectors
 - 31 mm for 10 A connectors
 - 40 mm for 16 A connectors

Above the retaining shoulders there shall be a free space of at least 5 mm in height.

The sketches are not intended to govern design, except as regards the dimensions shown.

STANDARD SHEET C26
PILLAR TERMINALS



Terminals without pressure plate

Terminals with pressure plate

Terminal size	Minimum diameter D of conductor space mm	Minimum distance g between clamping screw and end of conductor when fully inserted mm
1	2,5	1,5
2*	3,0	1,5

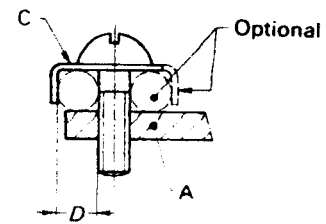
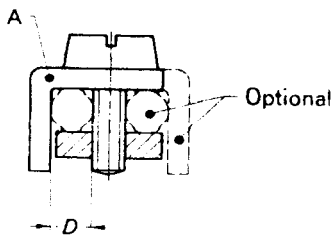
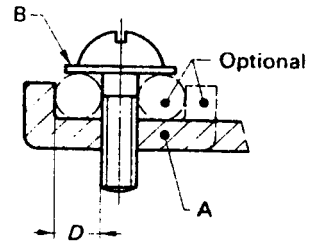
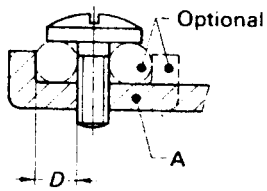
* Terminal size 2 is included for information.

The part of the terminal containing the threaded hole and the part of the terminal against which the conductor is clamped by the screw may be two separate parts, as in the case of terminals provided with a stirrup.

The shape of the conductor space may differ from those shown, provided a circle with a diameter equal to D can be inscribed.

STANDARD SHEET C27
SCREW AND STUD TERMINALS

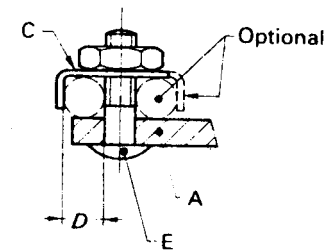
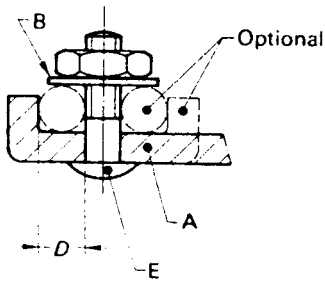
Screw terminals



Screw not requiring washer or clamping plate.

Screw requiring washer, clamping plate or anti-spread device

Stud terminals



- A = fixed part
- B = washer or clamping plate
- C = anti-spread device
- E = stud

Terminal size	Minimum diameter <i>D</i> of conductor space mm
1	1,7
2*	2,0
* Terminal size 2 is for information.	

The part which retains the conductor in position may be of insulating material provided that the pressure necessary to clamp the conductor is not transmitted through the insulating material.


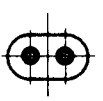
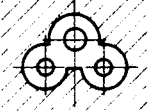
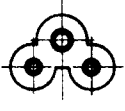

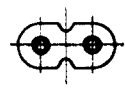

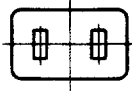
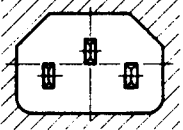
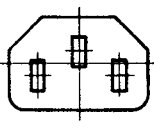
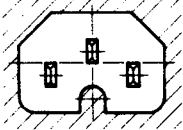
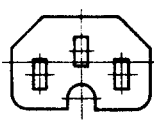
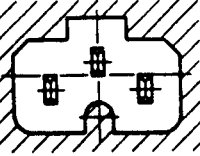
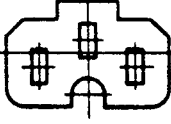
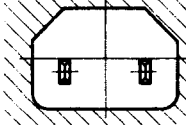

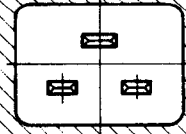
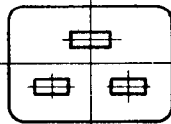
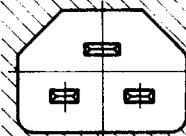
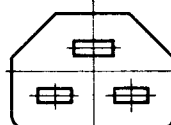
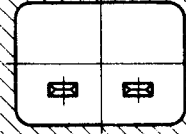
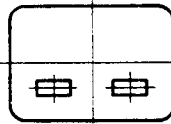
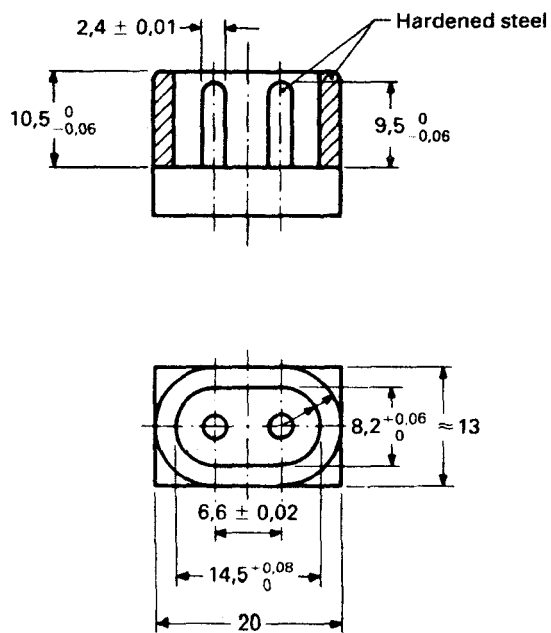
Rated current of appliance coupler A	Class of equipment	Maximum temperature of appliance inlet	APPLIANCE COUPLER		Type of cord			Plug
			Number of standard sheet for:		Rewirable construction allowed	Lightest type allowed	Minimum cross-section mm	Standard sheet of IEC 60083
appliance inlet	connector							
0,2	II	70 °C			No	60227 IEC 41	- ^a	A 1-15 B 5 C 5
2,5	I	70 °C			No	60227 IEC 52	0,75	A 5-15 B 2 C 2b C 4
2,5	II	70 °C			No	60227 IEC 52	0,75 ^b	A 1-15 B 2 C 5 C 6
6	II	70 °C			No	60227 IEC 52	0,75	A 1-15 B 2 C 6
10	I	70 °C			Yes	60227 IEC 53 or 60245 IEC 53	0,75 ^c	A 5-15 B 2 C 2b C 3b C 4
10	I	120 °C			Yes	60245 IEC 53 or 60245 IEC 51	0,75 ^c	A 5-15 B 2 C 2b C 3b C 4

Figure 1 – Survey of appliance couplers

Rated current of appliance coupler A	Class of equipment	Maximum temperature of appliance inlet	APPLIANCE COUPLER		Type of cord			Plug
			Number of standard sheet for:		Rewirable construction allowed	Lightest type allowed	Minimum cross-section mm	Standard sheet of IEC 60083
appliance inlet	connector							
10	II	155 °C			Yes	60245 IEC 53 or 60245 IEC 51	0,75 ^c	A 5-15 B 2 C 2b C 3b C 4
10	II	70 °C			No	60227 IEC 53 or 60245 IEC 53	0,75 ^c	A 1-15 B 2 C 6
16	I	70 °C			Yes	60227 IEC 53 or 60245 IEC 53	1 ^c	A 5-15 B 2 C 2b C 3b C 4
16	I	155 °C			Yes	60245 IEC 53 or 60245 IEC 51	1 ^c	A 5-15 B 2 C 2b C 3b C 4
16	II	70 °C			No	60227 IEC 53 or 60245 IEC 53	1 ^c	A 1-15 B 2 C 6

- ^a Only for small hand-held appliances, in length not exceeding 2 m, if allowed by the relevant appliance standard.
- ^b 0,5 mm² is allowed for lengths not exceeding 2 m.
- ^c If the cord has a length exceeding 2 m or is of the retractable coiled (pre-coiled) type, nominal cross-sectional areas shall be
- 1 mm² for 10 A connectors
 - 1,5 mm² for 16 A connectors.

Figure 1 – Survey of appliance couplers (concluded)

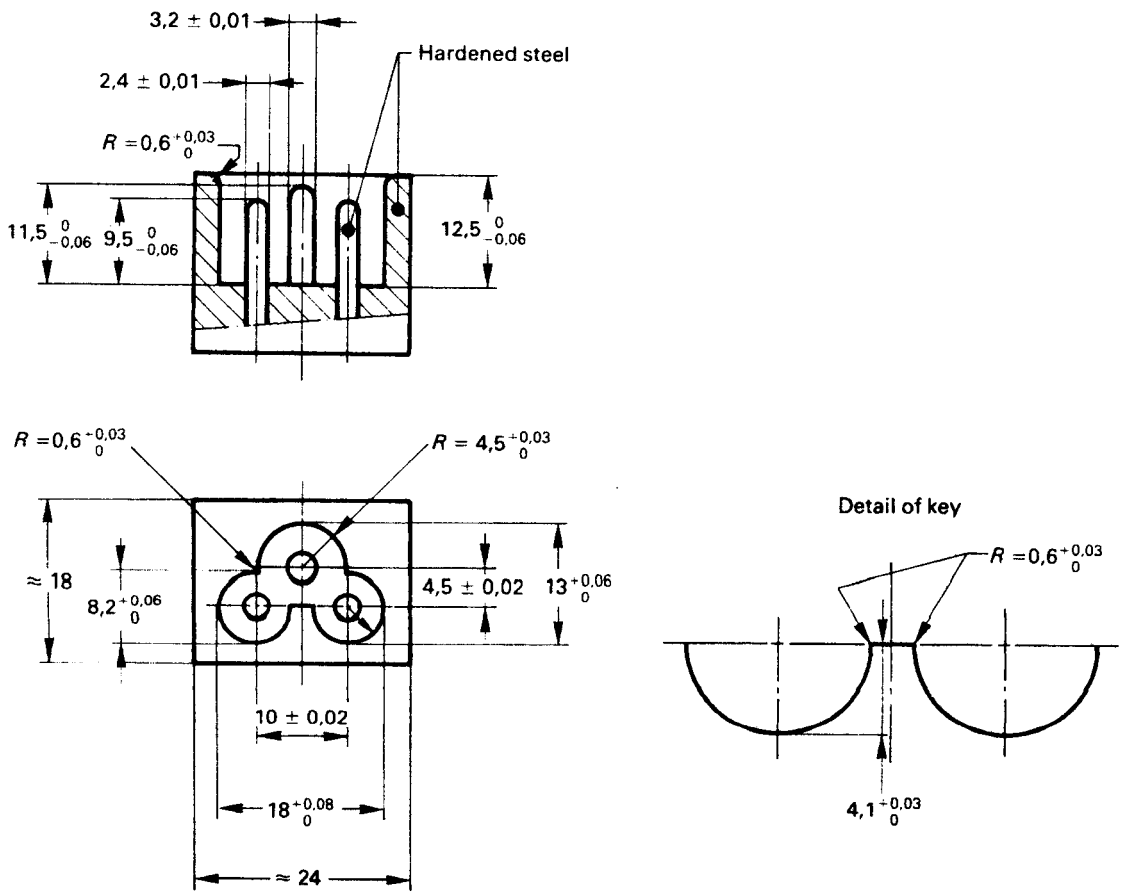


Dimensions in millimetres

It shall be possible to insert the connector fully into the gauge with a force not exceeding 60 N.

For the purpose of verifying whether or not the connector is fully inserted, it is recommended that the gauge be provided with an aperture.

Figure 2 – "GO" gauge for connectors to standard sheet C1 (see 9.1)

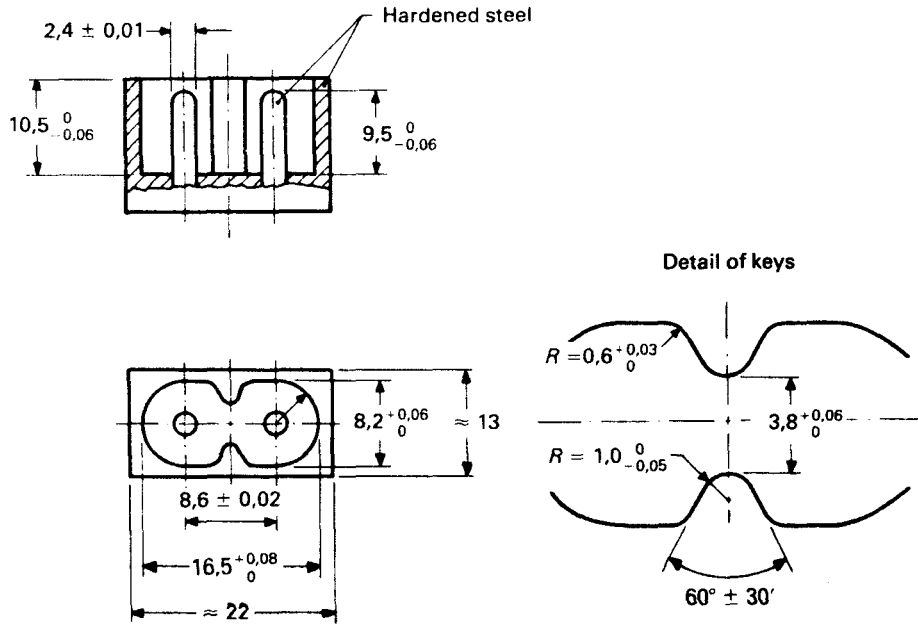


Dimensions in millimetres

It shall be possible to insert the connector fully into the gauge with a force not exceeding 60 N.

For the purpose of verifying whether or not the connector is fully inserted, it is recommended that the gauge be provided with an aperture.

Figure 4 – "GO" gauge for connectors to standard sheet C5 (see 9.1)

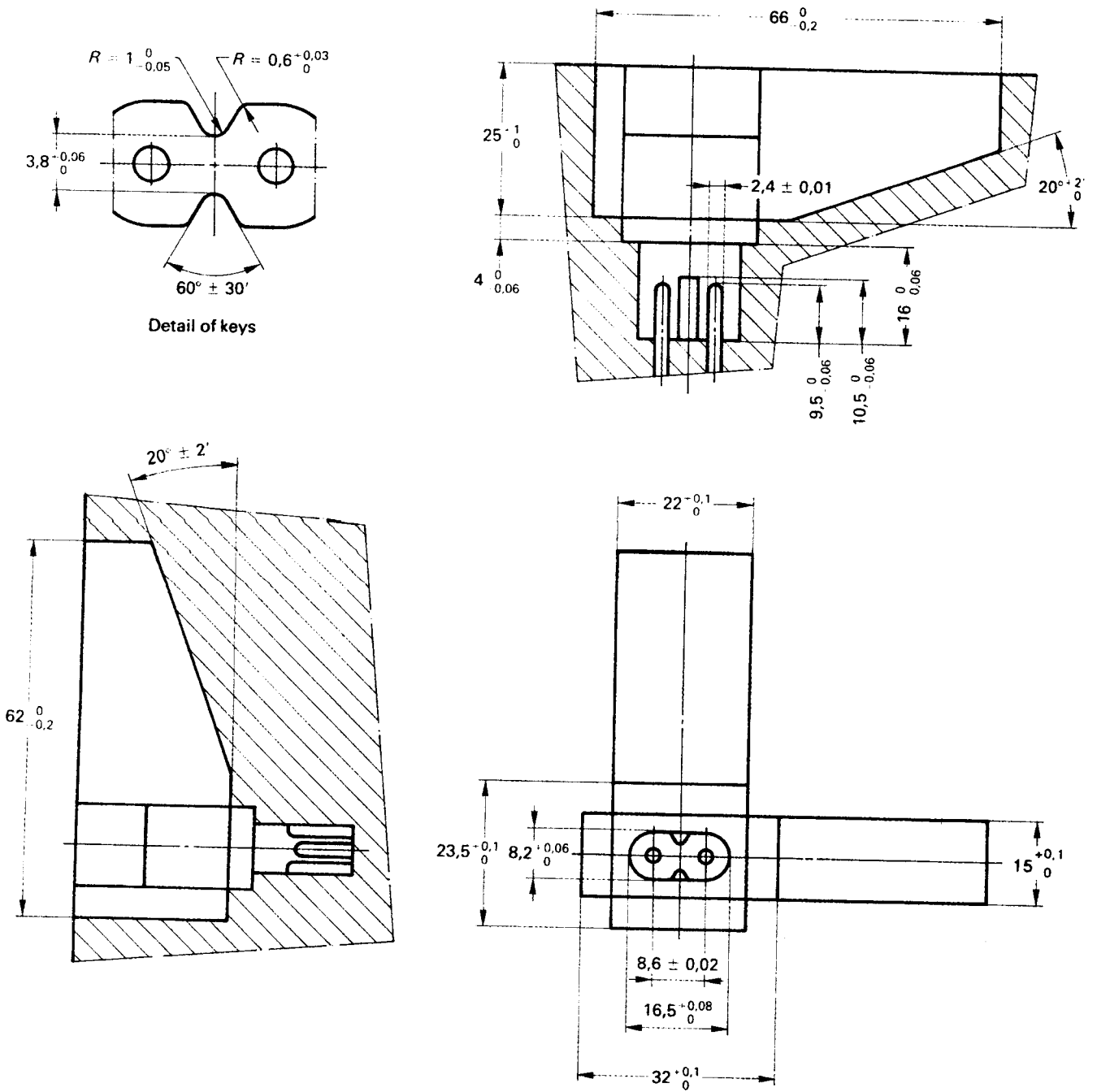


Dimensions in millimetres

It shall be possible to insert the connector fully into the gauge with a force not exceeding 60 N.

For the purpose of verifying whether or not the connector is fully inserted, it is recommended that the gauge be provided with an aperture.

Figure 5 – "GO" gauge for connectors to standard sheet C7 (see 9.1)

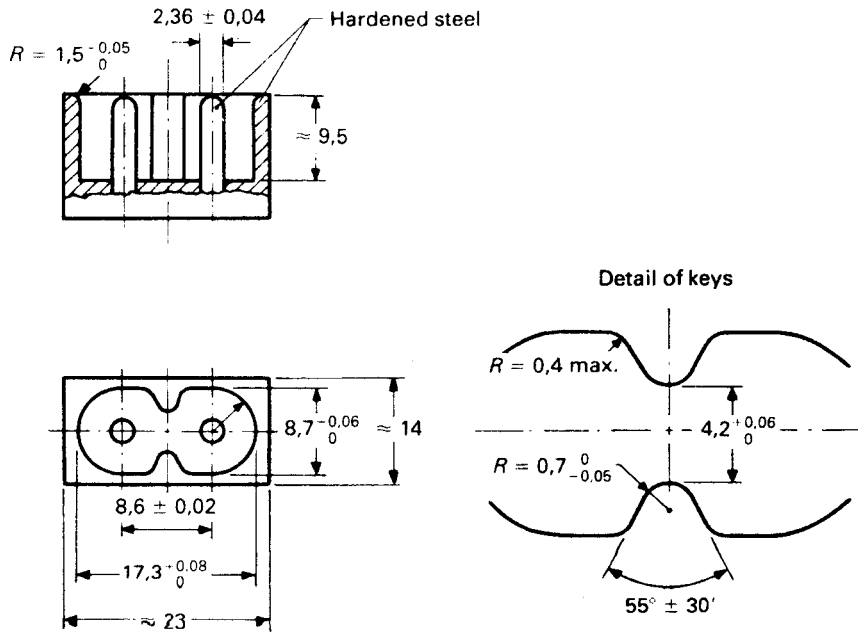


Dimensions in millimetres

It shall be possible to insert the connector fully into the gauge with a force not exceeding 60 N.

For the purpose of verifying whether or not the connector is fully inserted, it is recommended that the gauge be provided with an aperture.

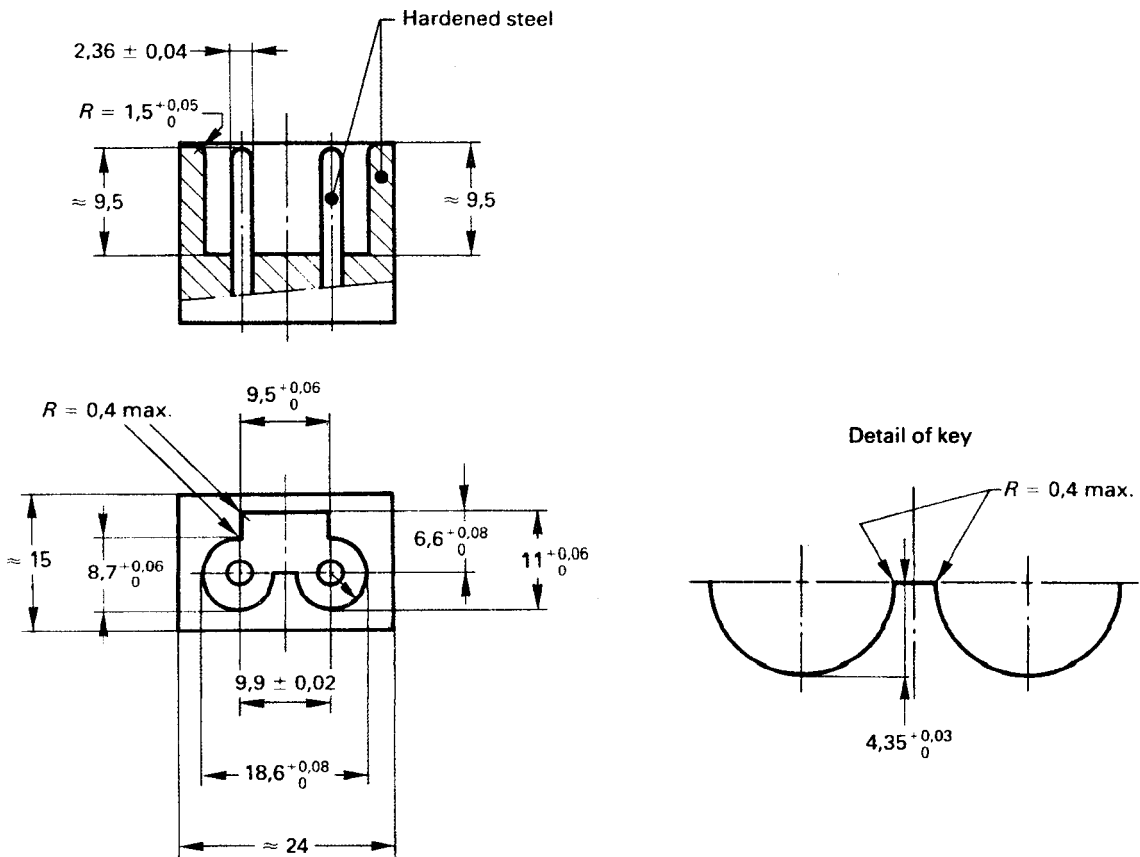
Figure 5A – "GO" gauge for side-entry connectors to standard sheet C7 (see 9.1)



Dimensions in millimetres

It shall not be possible to insert the connector into the gauge with a force of 60 N.

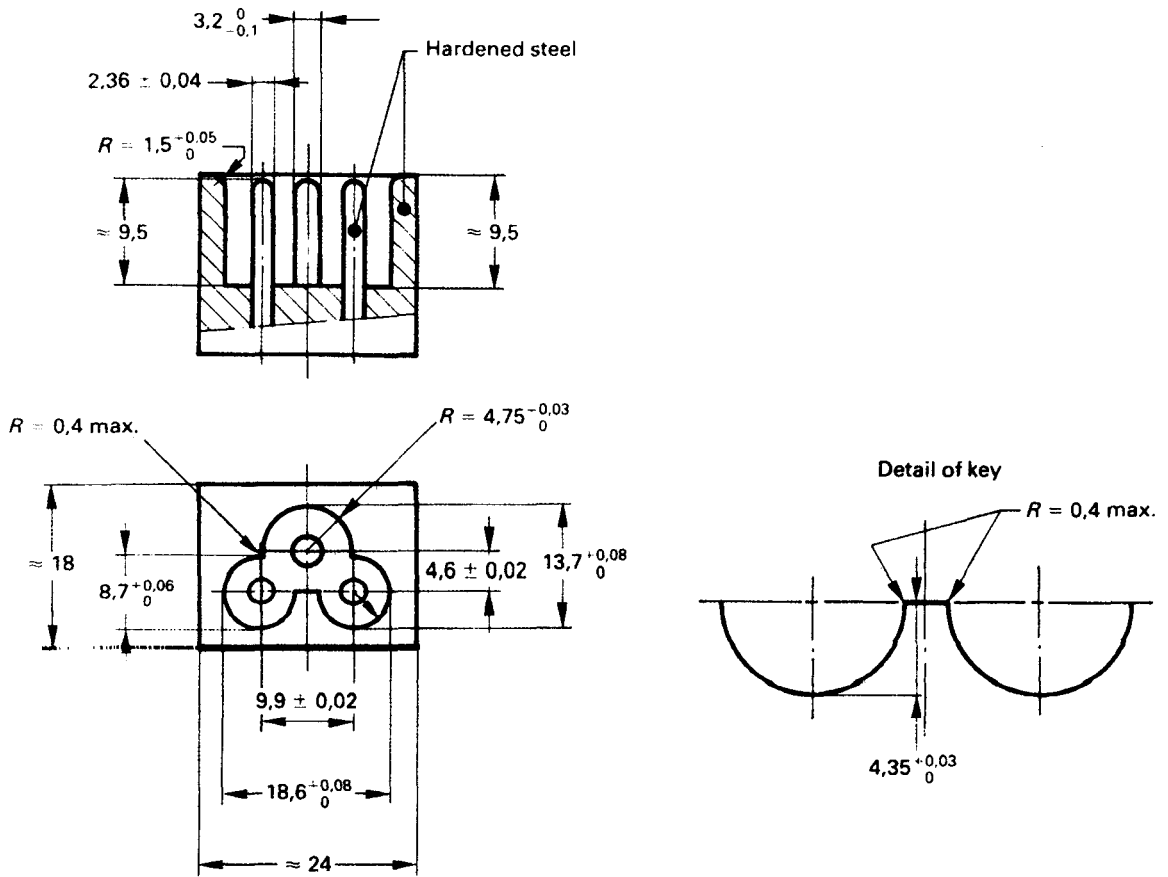
Figure 6 – "NOT GO" gauge for connectors to standard sheet C1 (see 9.4)



Dimensions in millimetres

It shall not be possible to insert the connector into the gauge with a force of 60 N.

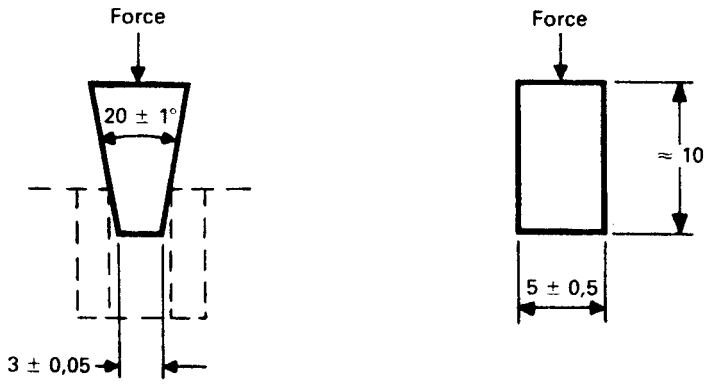
Figure 7 – "NOT-GO" gauge for connectors to standard sheets C1, C5 and C7 (see 9.4)



Dimensions in millimetres

It shall not be possible to insert the connector into the gauge with a force of 60 N.

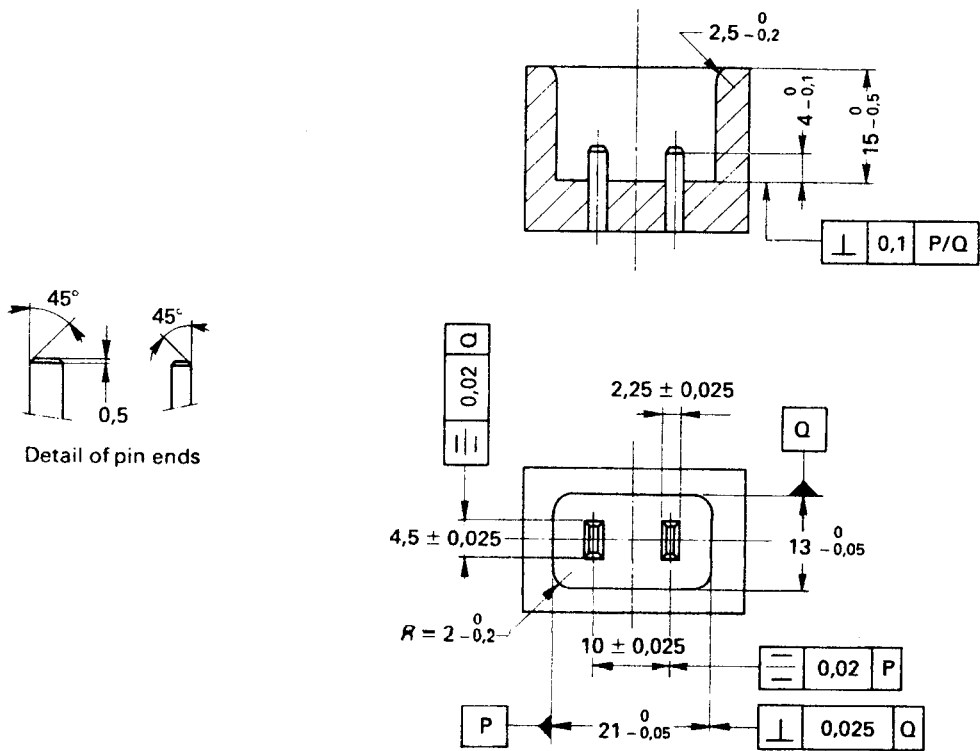
Figure 8 – "NOT-GO" gauge for connectors to standard sheets C1 and C7 (see 9.4)



Dimensions in millimetres

When the gauge is inserted between the ridges of the appliance inlet with a force of 30 N, it shall not touch the bottom of the inlet.

Figure 9 – "NOT-GO" gauge for appliance inlets to standard sheets C8, C8A and C8B (see 9.4)



Dimensions in millimetres

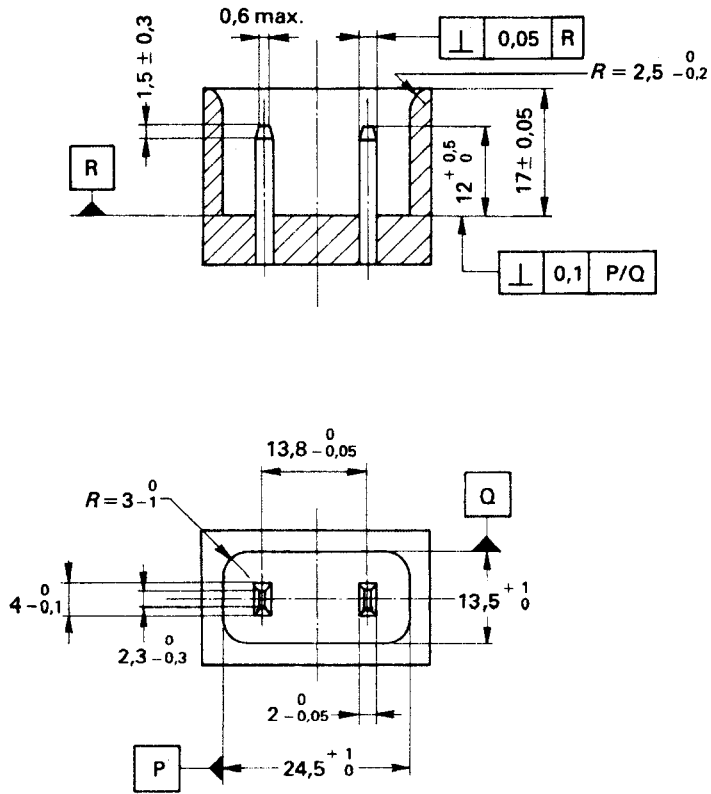
Gauge and pins: hardened steel.

It shall be possible to insert the connector fully into the gauge with a force not exceeding 60 N.

For the purpose of verifying whether or not the connector is fully inserted, it is recommended to provide the gauge with an aperture.

For the symbols indicating the tolerance of form or of position, see ISO 1101.

Figure 9A – "GO" gauge for connectors to standard sheet C9 (see 9.1)



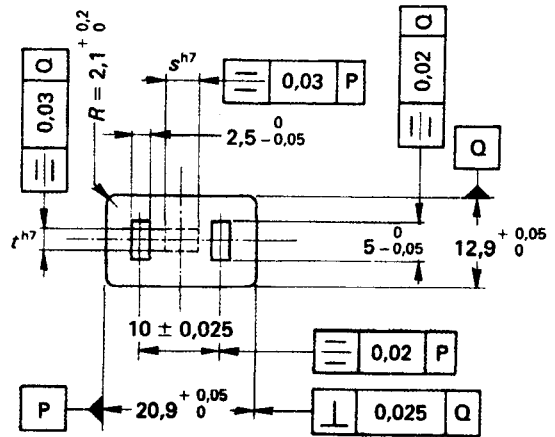
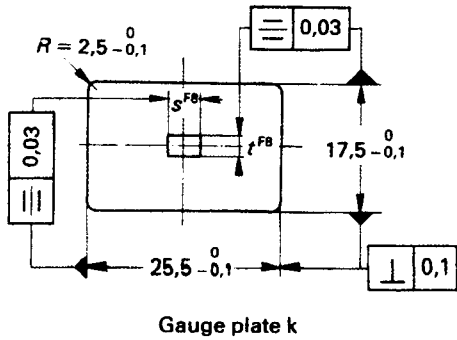
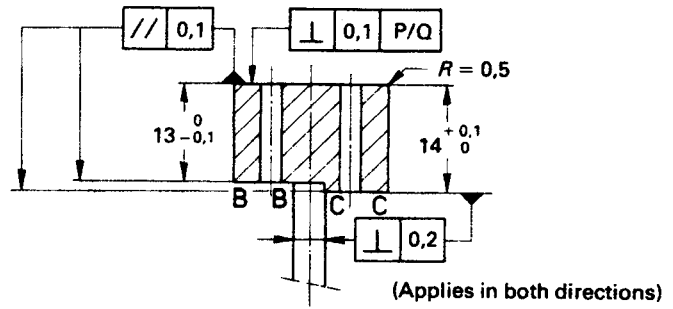
Dimensions in millimetres

Gauge and pins: hardened steel.

It shall not be possible to insert the connector into the gauge with a force not exceeding 60 N.

For the symbols indicating the tolerance of form or of position, see ISO 1101.

Figure 9B – "NOT-GO" gauge for connectors to standard sheet C9 (see 9.4)



Dimensions in millimetres

Gauge: hardened steel.

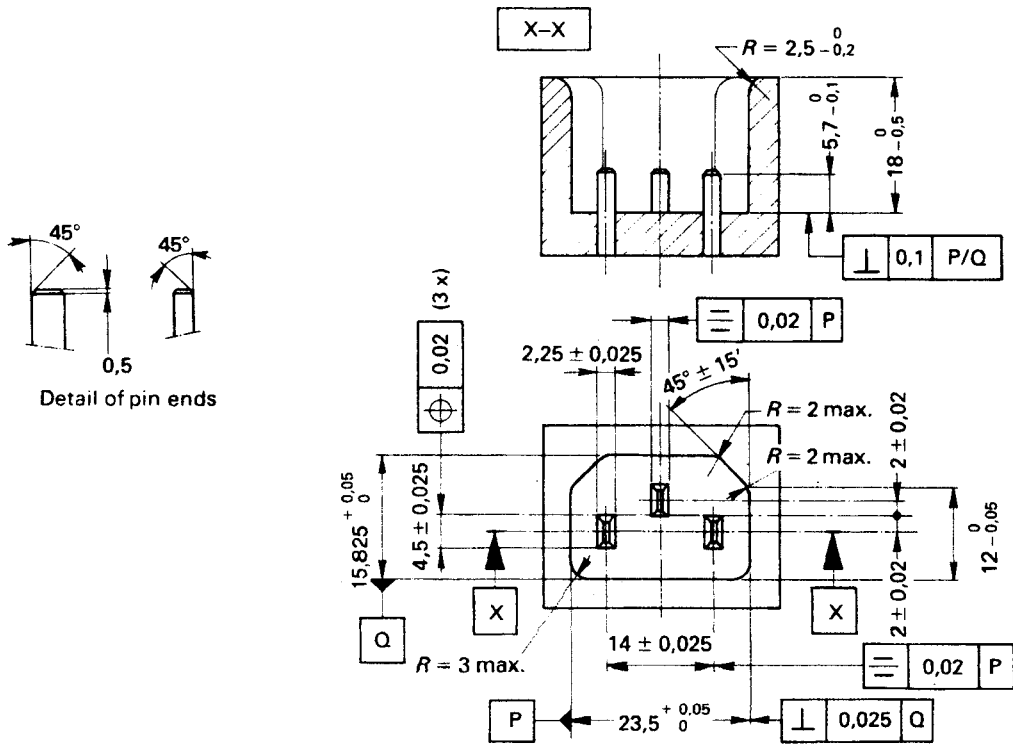
The thickness of the gauge plate K, as well as the nominal values of the dimensions s and t of the handle and of the hole in the gauge plate, are left free, but the tolerances h7 and F8 shall be respected.

It shall be possible to insert the gauge fully into the appliance inlet with a force not exceeding 60 N. The plane A-A of the inlet shall lie between planes B-B and C-C of the gauge.

Then the gauge plate K shall be pushed over the handle to check the free area around the inlet opening.

For the symbols indicating the tolerance of form or of position, see ISO 1101; for the symbols for tolerances on dimensions, see ISO 286-1.

Figure 9C – "GO" gauge for appliance inlets to standard sheets C10 (see 9.1)



Dimensions in millimetres

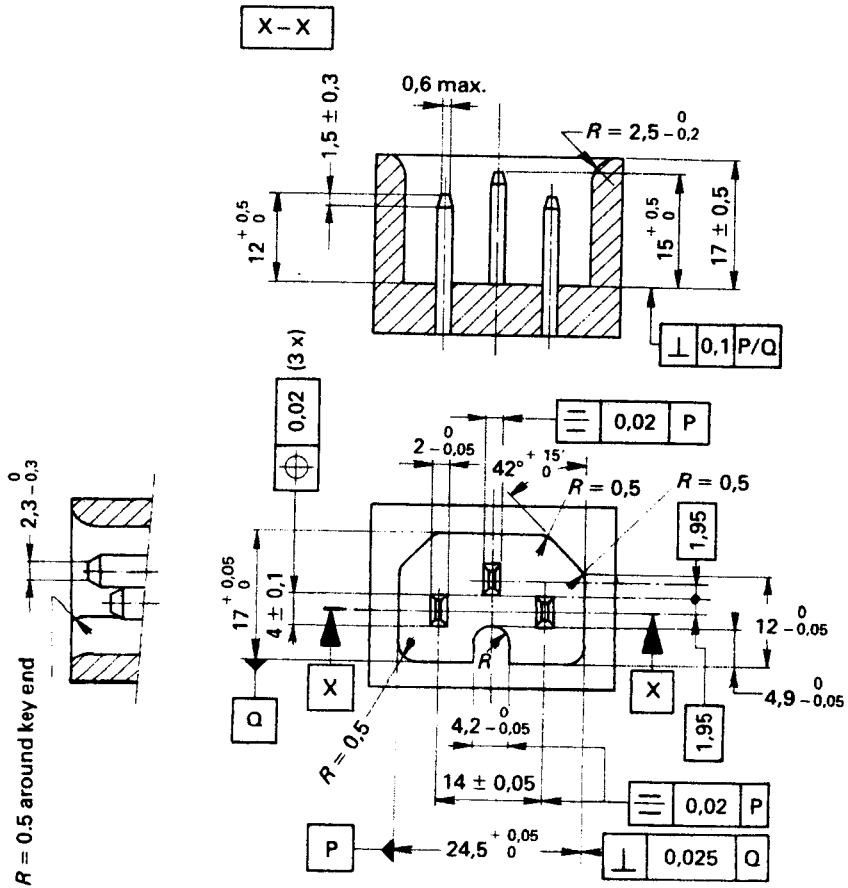
Gauge and pins: hardened steel.

It shall be possible to insert the connector fully into the gauge with a force not exceeding 60 N.

For the purpose of verifying whether or not the connector is fully inserted, it is recommended to provide the gauge with an aperture.

For the symbols indicating the tolerance of form or of position, see ISO 1101.

Figure 9F – "GO" gauge for connectors to standard sheet C13 (see 9.1)



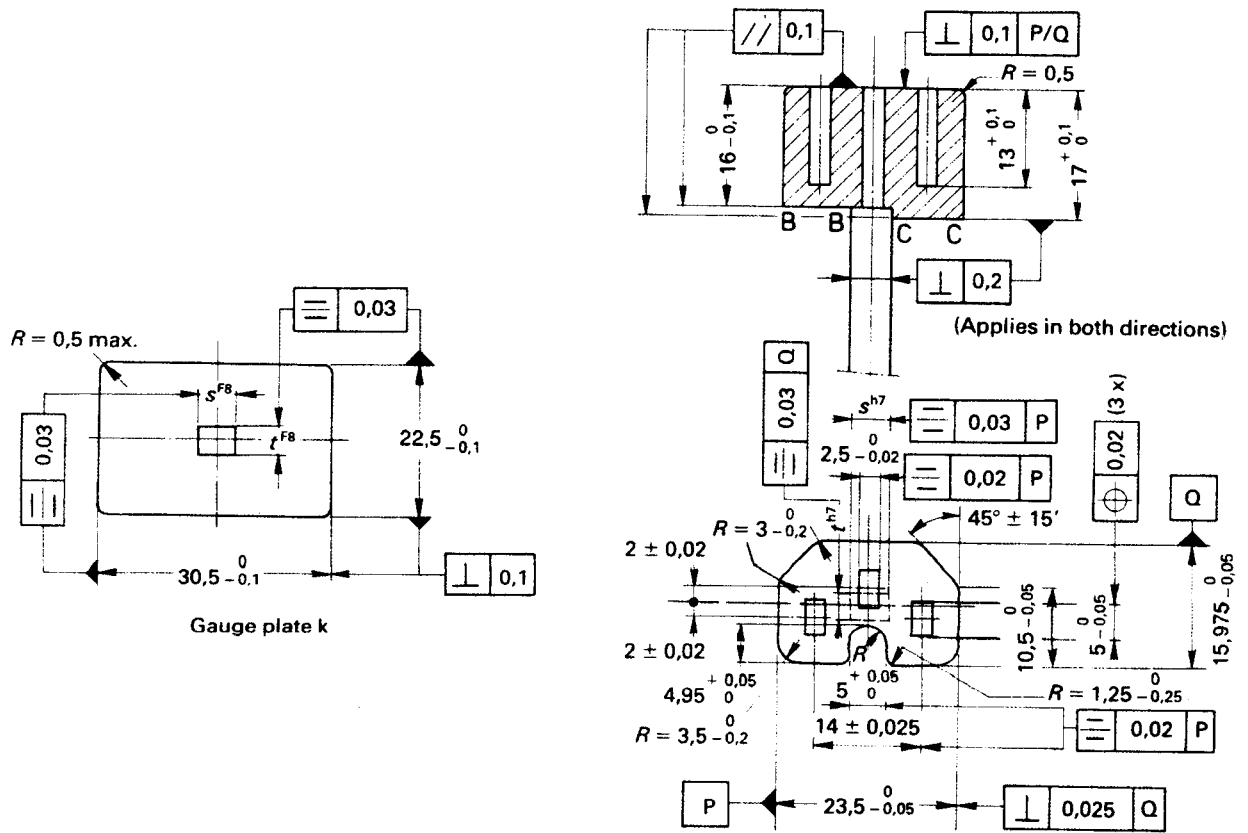
Dimensions in millimetres

Gauge and pins: hardened steel.

It shall not be possible to insert the connector into the gauge with a force not exceeding 60 N.

For the symbols indicating the tolerance of form or of position, see ISO 1101.

Figure 9G – "NOT-GO" gauge for connectors to standard sheets C13 and C17 (see 9.4)



Dimensions in millimetres

Gauge: hardened steel.

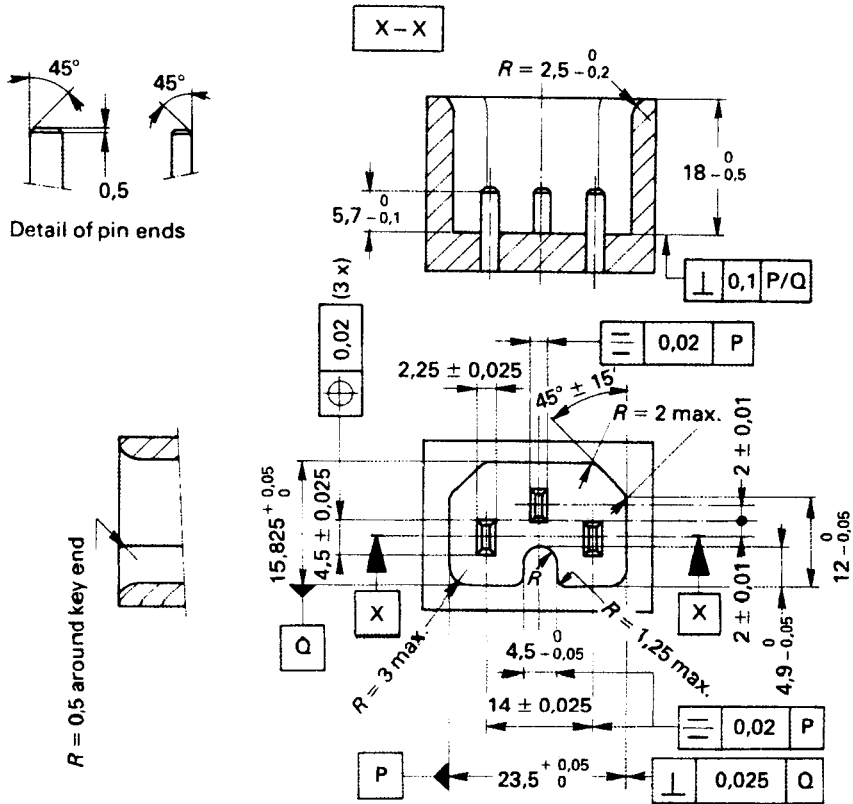
The thickness of the gauge plate K, as well as the nominal values of the dimensions s and t of the handle and of the hole in the gauge plate, are left free, but the tolerances h7 and F8 shall be respected.

It shall be possible to insert the gauge fully into the appliance inlet with a force not exceeding 60 N. The plane A-A of the inlet shall lie between planes B-B and C-C of the gauge.

Then the gauge plate K shall be pushed over the handle to check the free area around the inlet opening.

For the symbols indicating the tolerance of form or of position, see ISO 1101; for the symbols for tolerances on dimensions, see ISO 286-1.

Figure 9H – "GO" gauge for appliance inlets to standard sheets C14, C16 and C18 (see 9.1)



Dimensions in millimetres

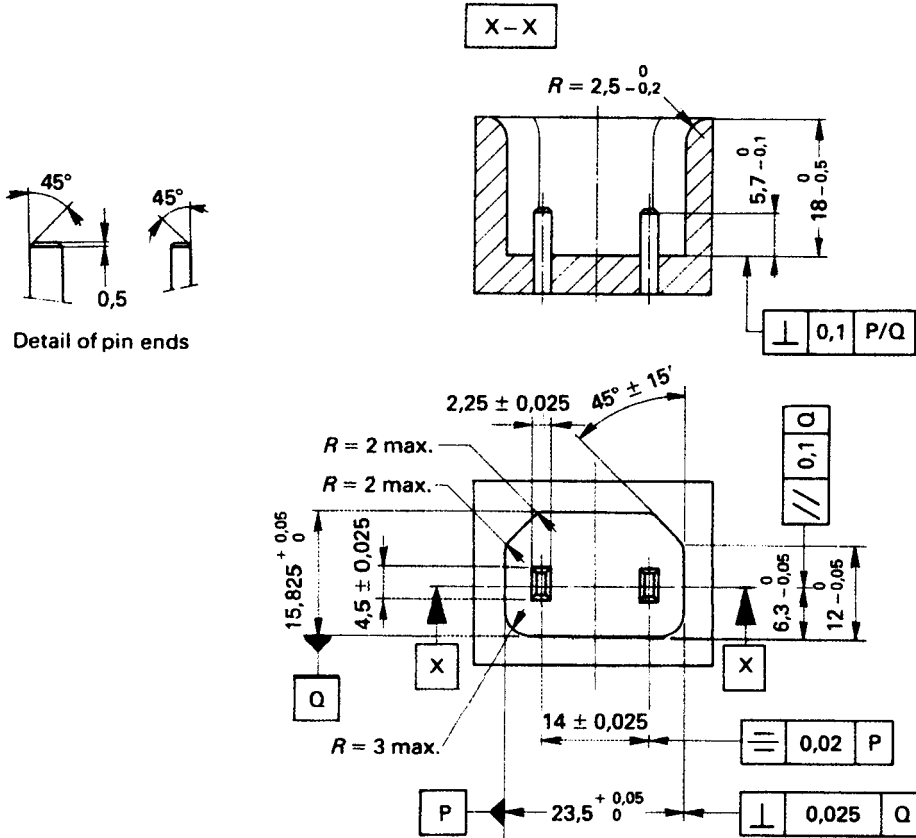
Gauge and pins: hardened steel.

It shall be possible to insert the connector fully into the gauge with a force not exceeding 60 N.

For the purpose of verifying whether or not the connector is fully inserted, it is recommended to provide the gauge with an aperture.

For the symbols indicating the tolerance of form or of position, see ISO 1101.

Figure 9J – "GO" gauge for connectors to standard sheet C15 (see 9.1)



Dimensions in millimetres

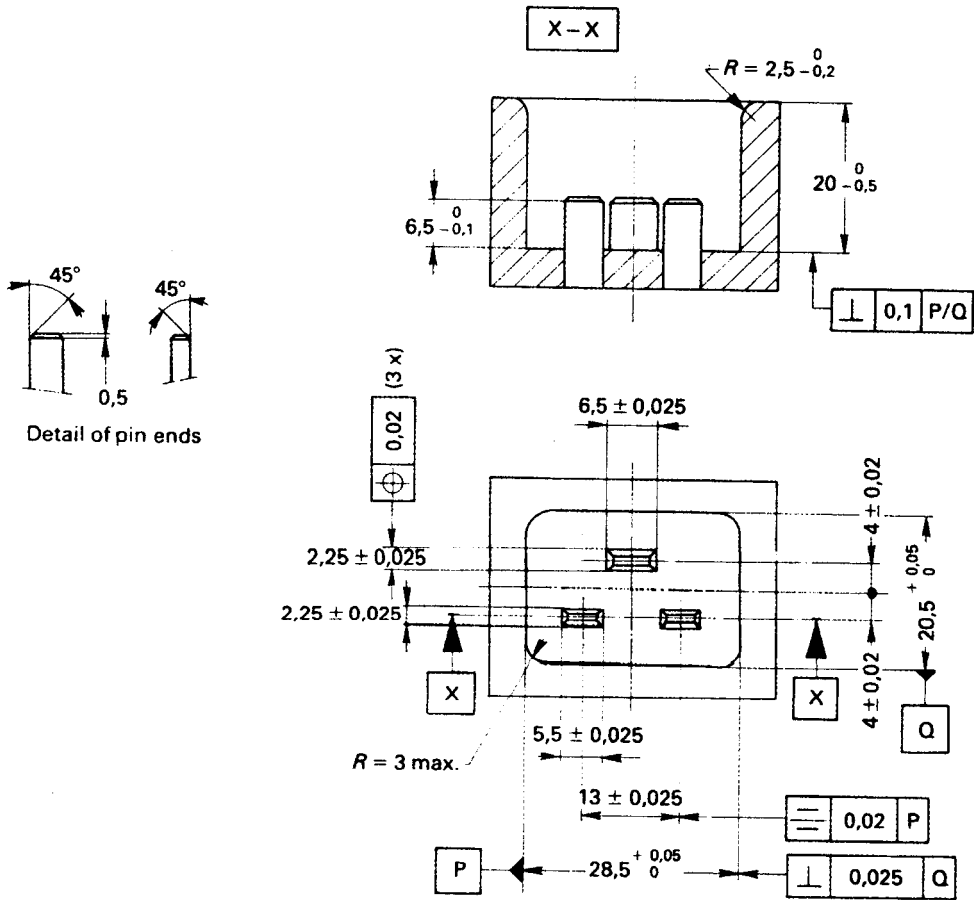
Gauge and pins: hardened steel.

It shall be possible to insert the connector fully into the gauge with a force not exceeding 60 N.

For the purpose of verifying whether or not the connector is fully inserted, it is recommended that the gauge be provided with an aperture.

For the symbols indicating the tolerance of form or of position, see ISO 1101.

Figure 9K – "GO" gauge for connectors to standard sheet C17 (see 9.1)



Dimensions in millimetres

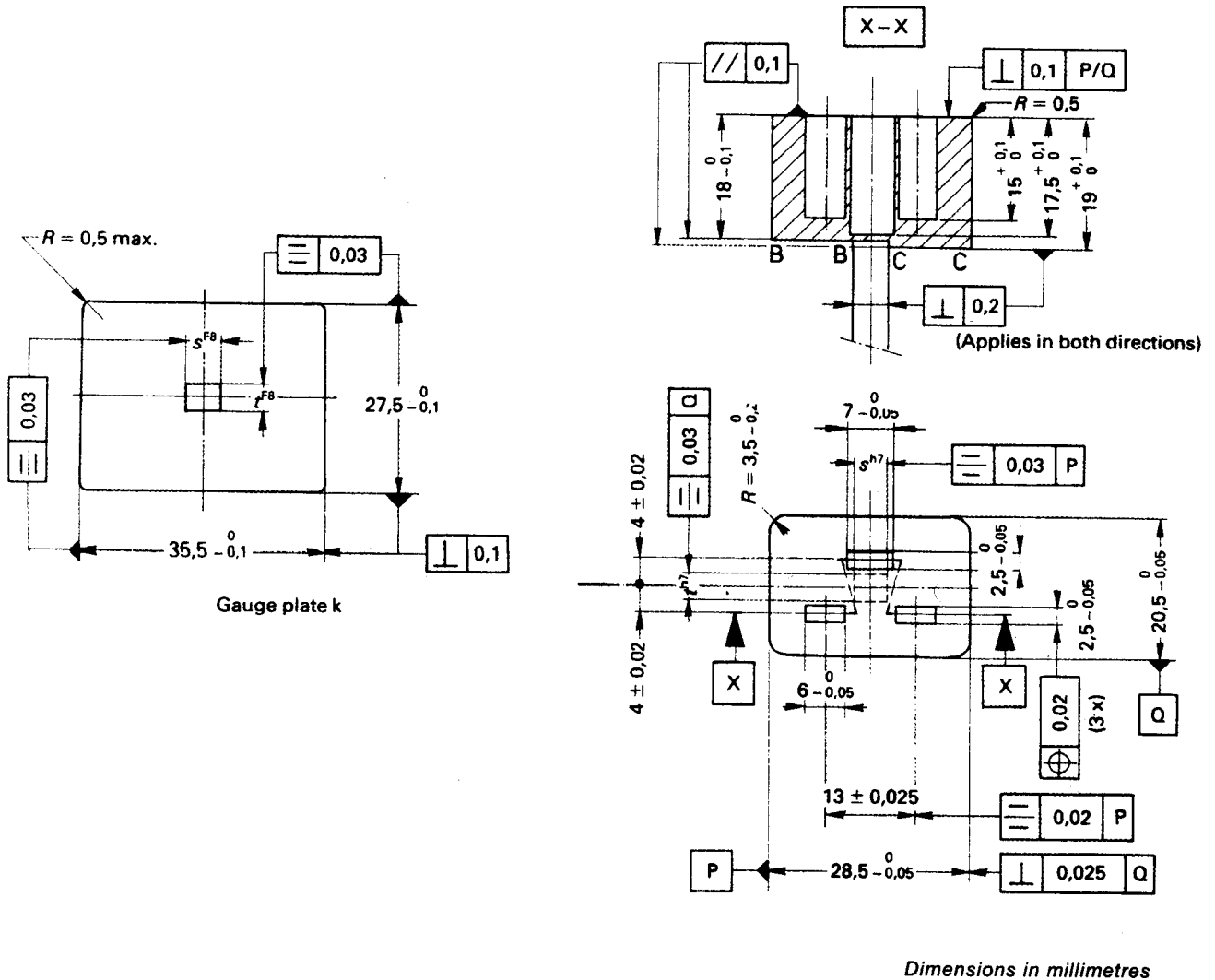
Gauge and pins: hardened steel.

It shall be possible to insert the connector fully into the gauge with a force not exceeding 60 N.

For the purpose of verifying whether or not the connector is fully inserted, it is recommended to provide the gauge with an aperture.

For the symbols indicating the tolerance of form or of position, see ISO 1101.

Figure 9L – "GO" gauge for connectors to standard sheet C19 (see 9.1)



Gauge: hardened steel.

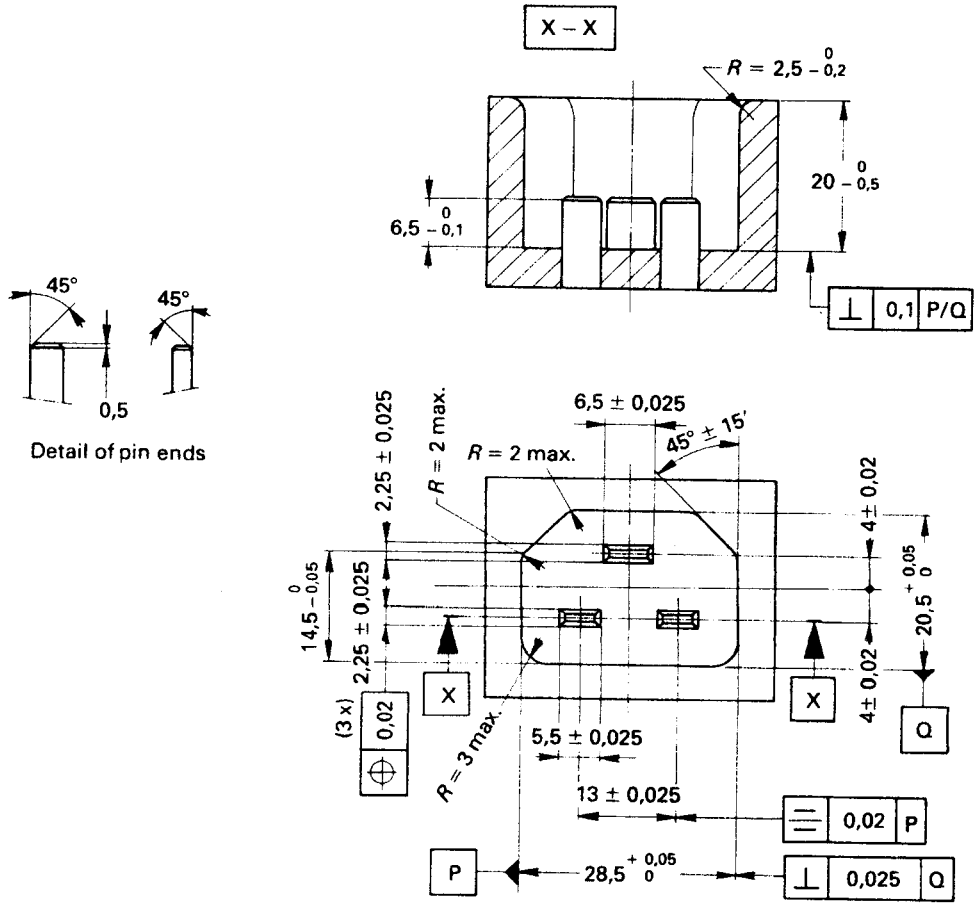
The thickness of the gauge plate K, as well as the nominal values of the dimensions s and t of the handle and of the hole in the gauge plate, are left free, but the tolerances h7 and F8 shall be respected.

It shall be possible to insert the gauge fully into the appliance inlet with a force not exceeding 60 N. The plane A-A of the inlet shall lie between planes B-B and C-C of the gauge.

Then the gauge plate K shall be pushed over the handle to check the free area around the inlet opening.

For the symbols indicating the tolerance of form or of position, see ISO 1101; for the symbols for tolerances on dimensions, see ISO 286-1.

Figure 9M – "GO" gauge for appliance inlets to standard sheets C20 and C24 (see 9.1)



Dimensions in millimetres

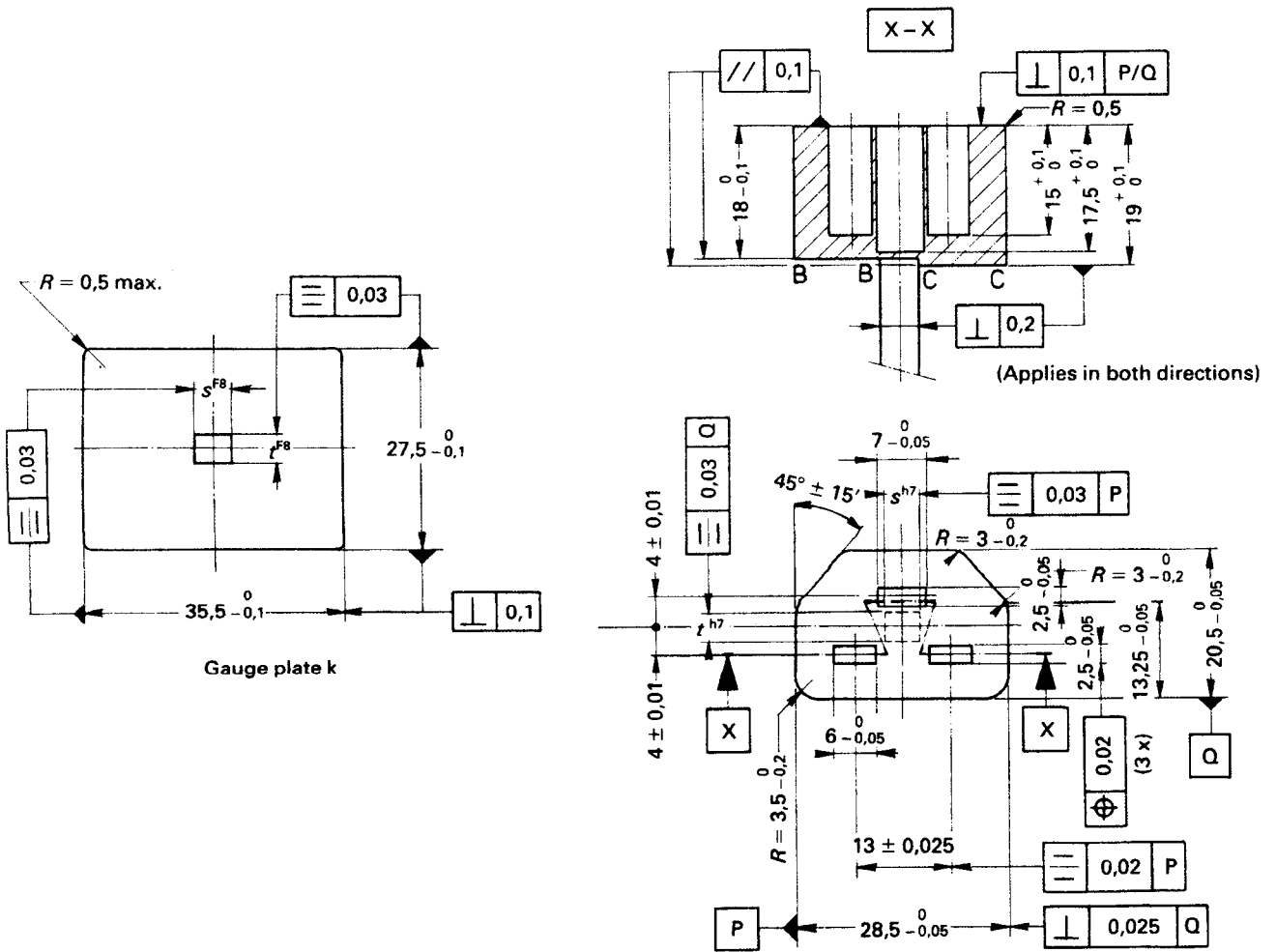
Gauge and pins: hardened steel.

It shall be possible to insert the connector fully into the gauge with a force not exceeding 60 N.

For the purpose of verifying whether or not the connector is fully inserted, it is recommended to provide the gauge with an aperture.

For the symbols indicating the tolerance of form or of position, see ISO 1101.

Figure 9N – "GO" gauge for connectors to standard sheet C21 (see 9.1)



Dimensions in millimetres

Gauge: hardened steel.

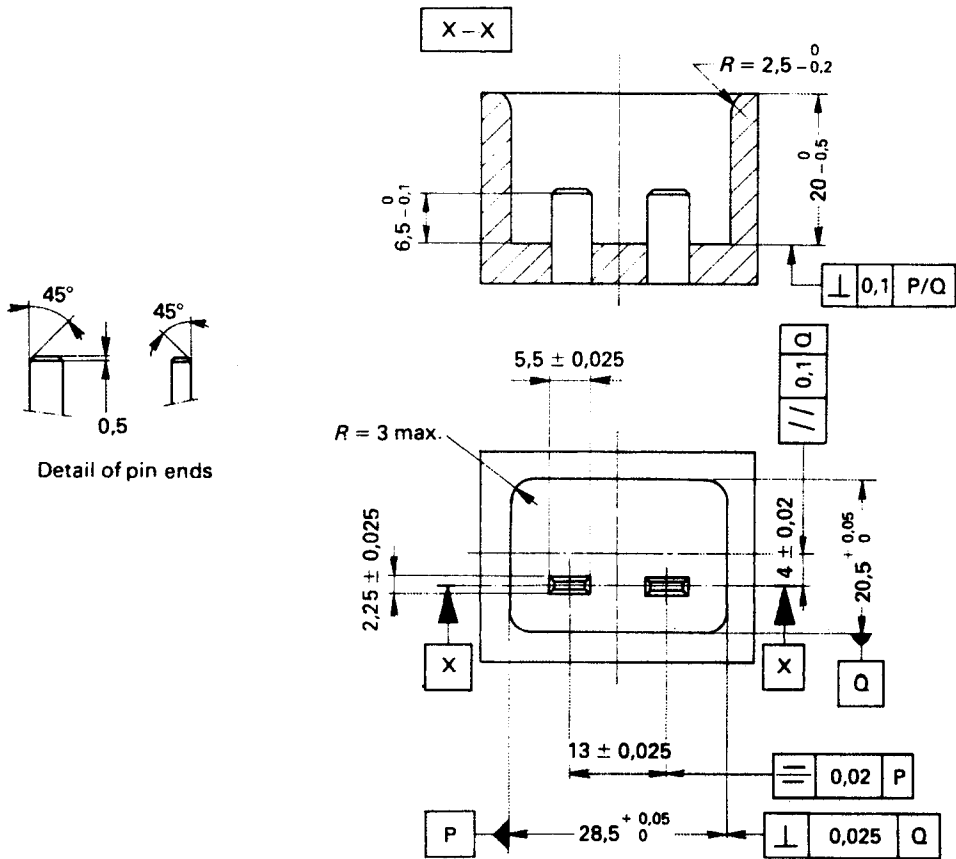
The thickness of the gauge plate K, as well as the nominal values of the dimensions *s* and *t* of the handle and of the hole in the gauge plate, are left free, but the tolerances h7 and F8 shall be respected.

It shall be possible to insert the gauge fully into the appliance inlet with a force not exceeding 60 N. The plane A-A of the inlet shall lie between planes B-B and C-C of the gauge.

Then the gauge plate K shall be pushed over the handle to check the free area around the inlet opening.

For the symbols indicating the tolerance of form or of position, see ISO 1101; for the symbols for tolerances on dimensions, see ISO 286-1.

Figure 9P – "GO" gauge for appliance inlets to standard sheet C22 (see 9.1)



Dimensions in millimetres

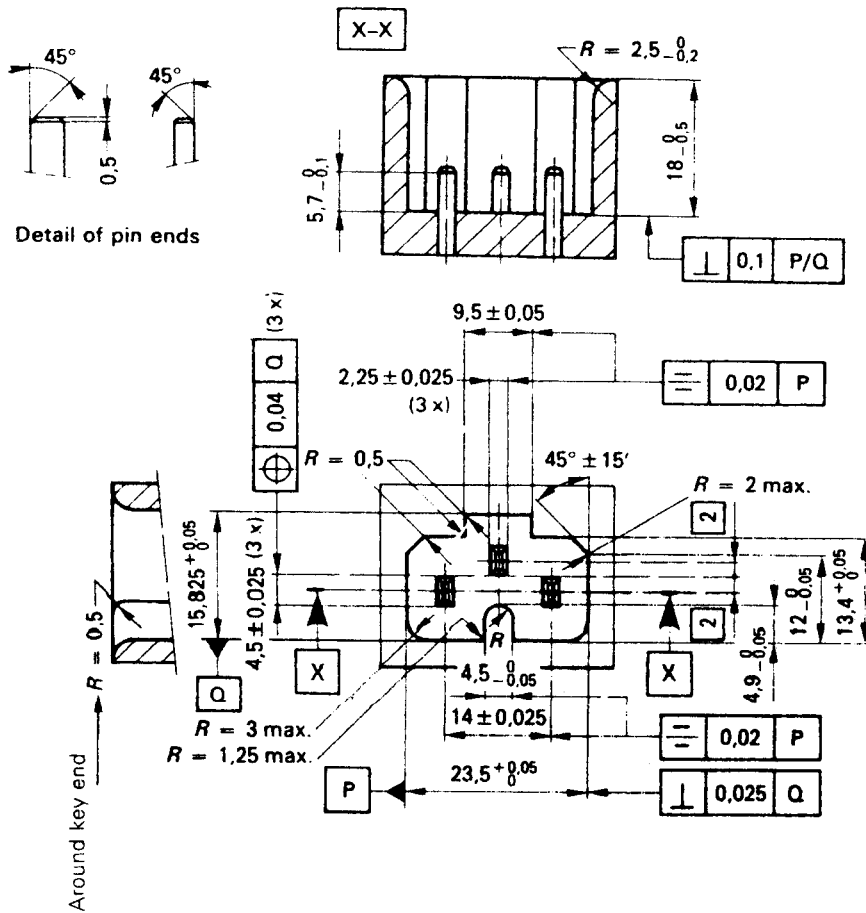
Gauge and pins: hardened steel.

It shall be possible to insert the connector fully into the gauge with a force not exceeding 60 N.

For the purpose of verifying whether or not the connector is fully inserted, it is recommended to provide the gauge with an aperture.

For the symbols indicating the tolerance of form or of position, see ISO 1101.

Figure 9Q – "GO" gauge for connectors to standard sheet C23 (see 9.1)



Dimensions in millimetres

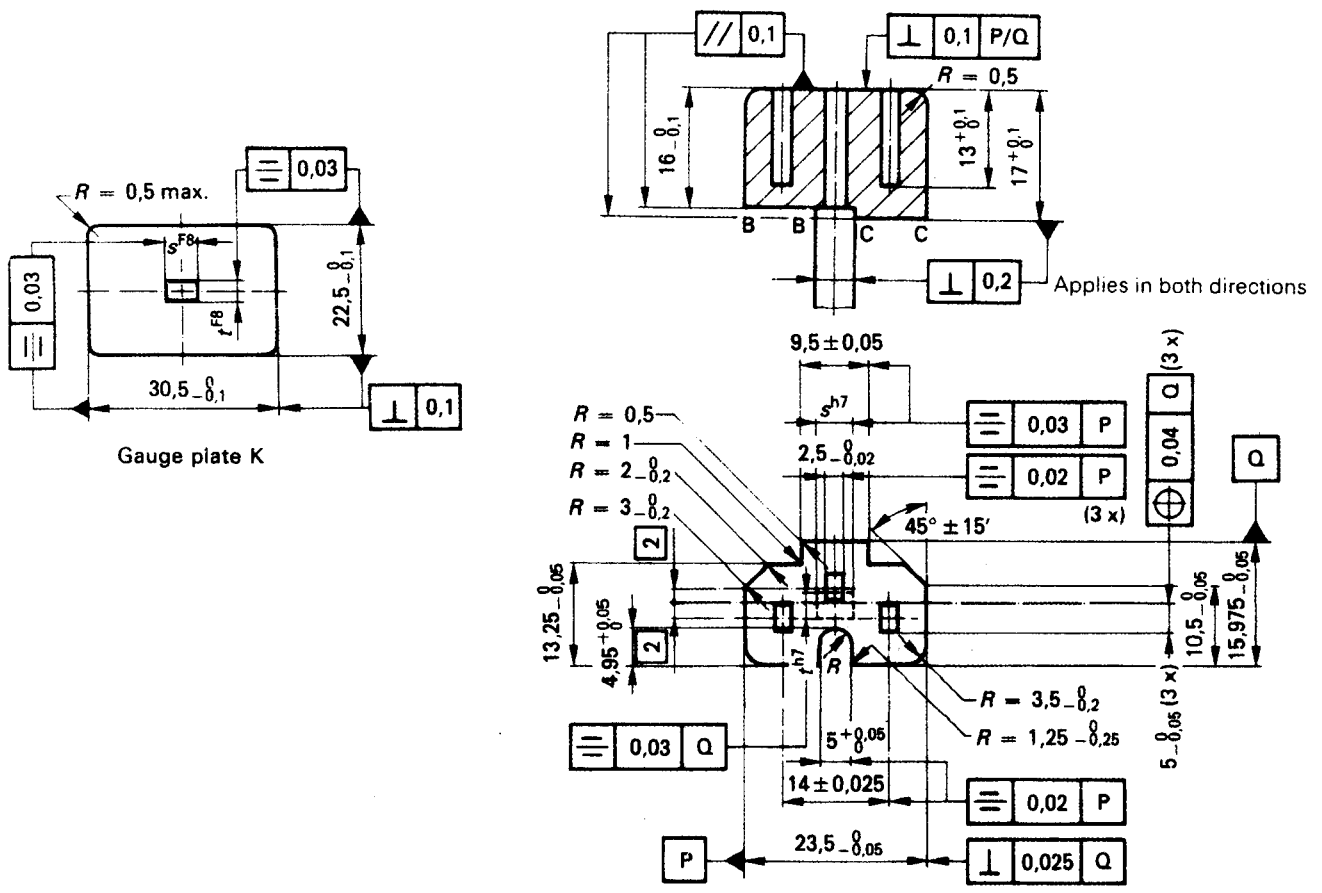
Gauge and pins: hardened steel.

It shall be possible to insert the connector fully into the gauge with a force not exceeding 60 N.

For the purpose of verifying whether or not the connector is fully inserted, it is recommended to provide the gauge with an aperture.

For the symbols indicating the tolerance of form or of position, see ISO 1101.

Figure 9S – "GO" gauge for connectors to standard sheet C15A (see 9.1)



Dimensions in millimetres

Gauge: hardened steel.

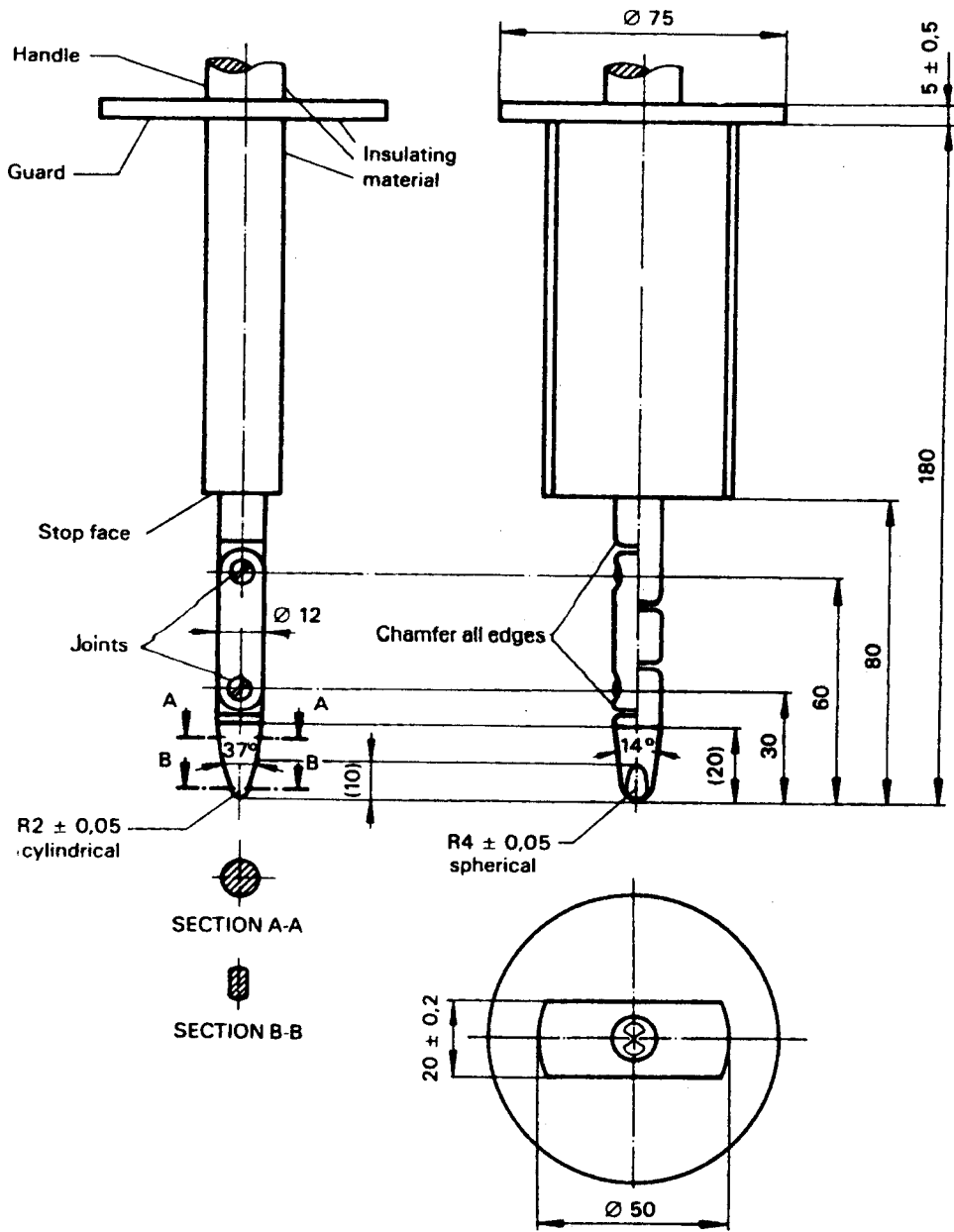
The thickness of the gauge plate K, as well as the nominal values of the dimensions s and t of the handle and of the hole in the gauge plate, are left free, but the tolerances h7 and F8 shall be respected.

It shall be possible to insert the gauge fully into the appliance inlet with a force not exceeding 60 N. The plane A-A of the inlet shall lie between planes B-B and C-C of the gauge.

Then the gauge plate K shall be pushed over the handle to check the free area around the inlet opening.

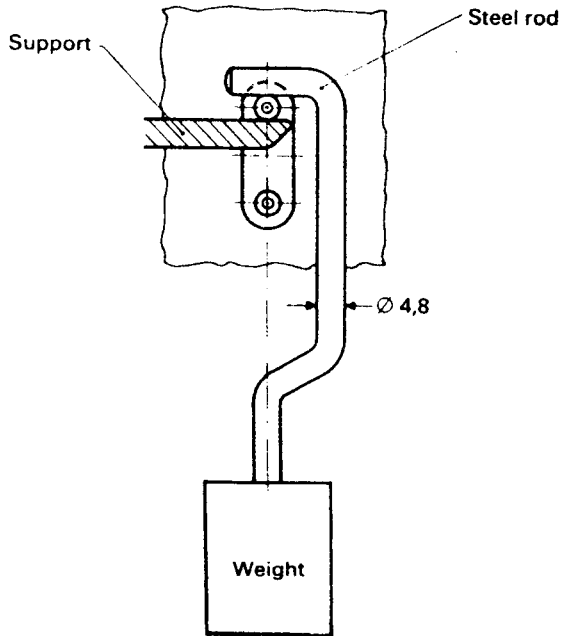
For the symbols indicating the tolerance of form or of position, see ISO 1101; for the symbols for tolerances on dimensions, see ISO 286-1.

Figure 9T – "GO" gauge for appliance inlets to standard sheet C16A (see 9.1)



Dimensions in millimetres

Figure 10 – Standard test finger (see 10.1)



Dimensions in millimetres

Figure 11 – Device for testing non-solid pins (see 13.4)

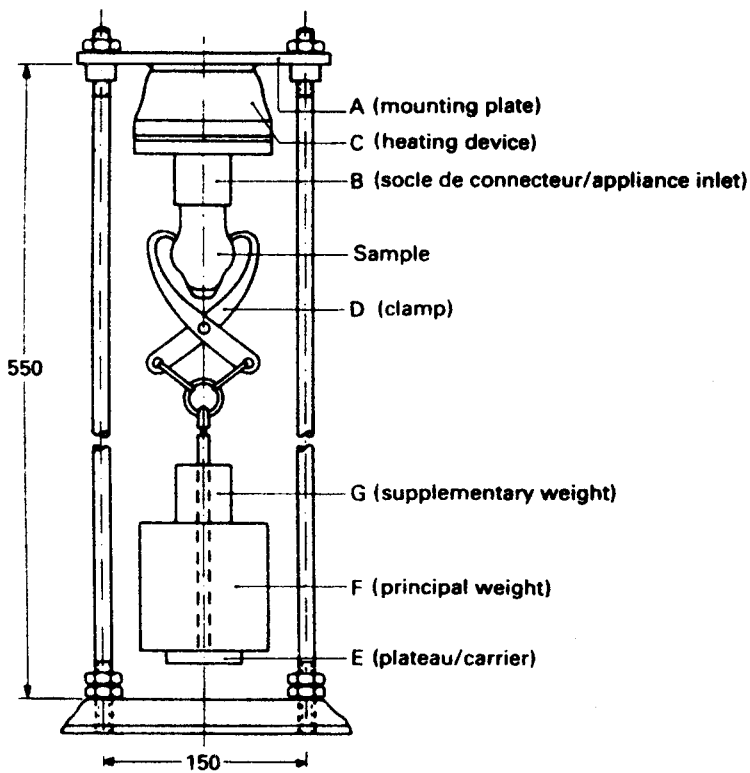
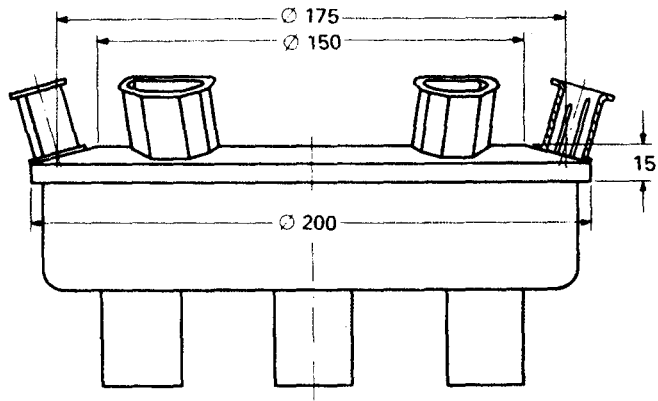


Figure 12 – Apparatus for checking the withdrawal force (see 16.2)



*Dimensions in millimetres
Dimensions are approximate*

Figure 13 – Example of apparatus for heating test (see 18.2)

Figure 14 – VOID

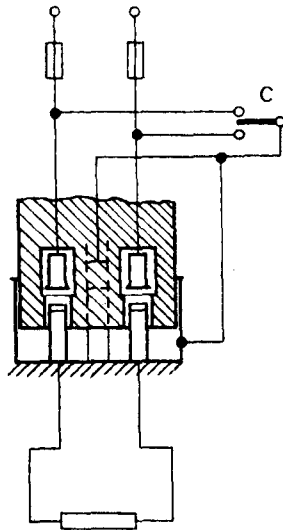
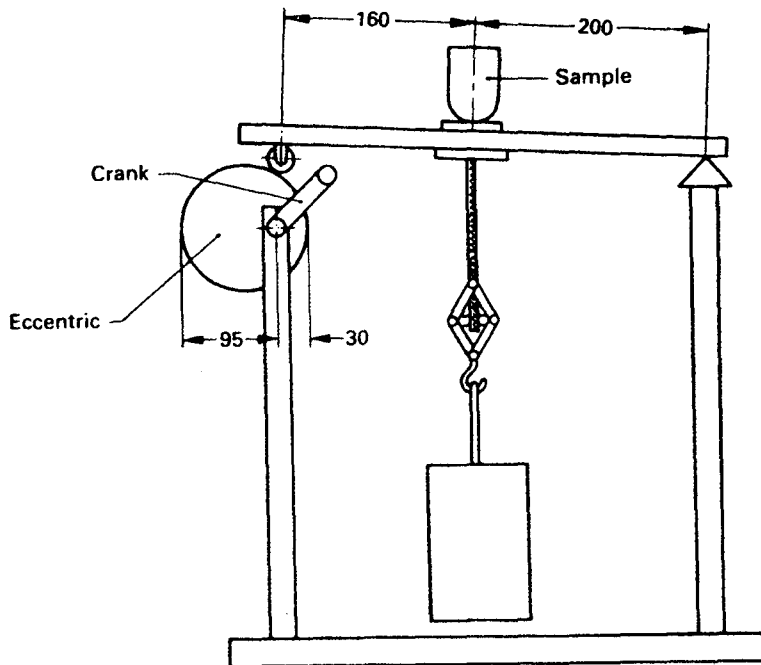


Figure 15 – Circuit diagram for breaking capacity and normal operation tests (see clauses 19 and 20)



Dimensions in millimetres

Figure 16 – Apparatus for testing the cord anchorage (see 22.3)

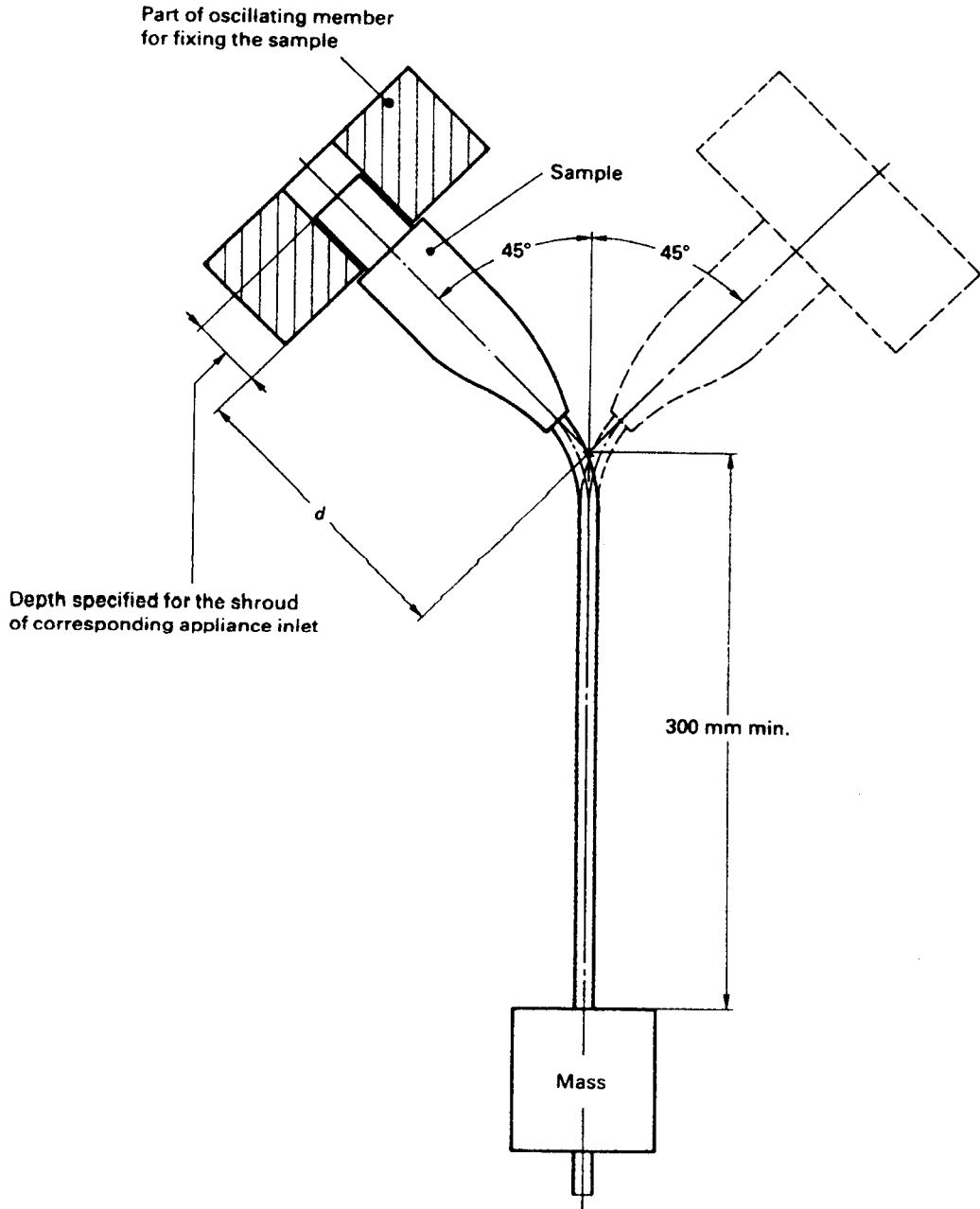
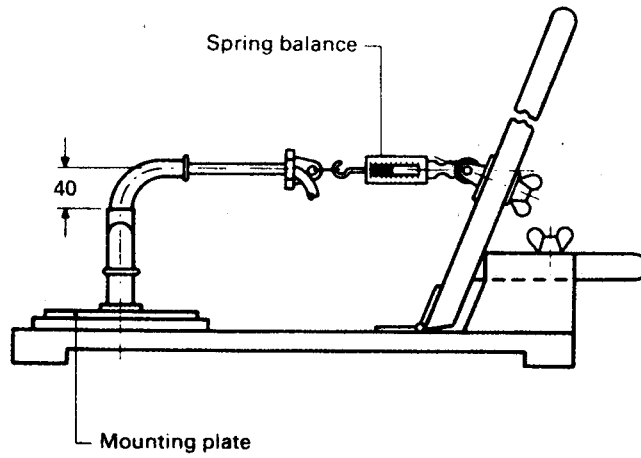


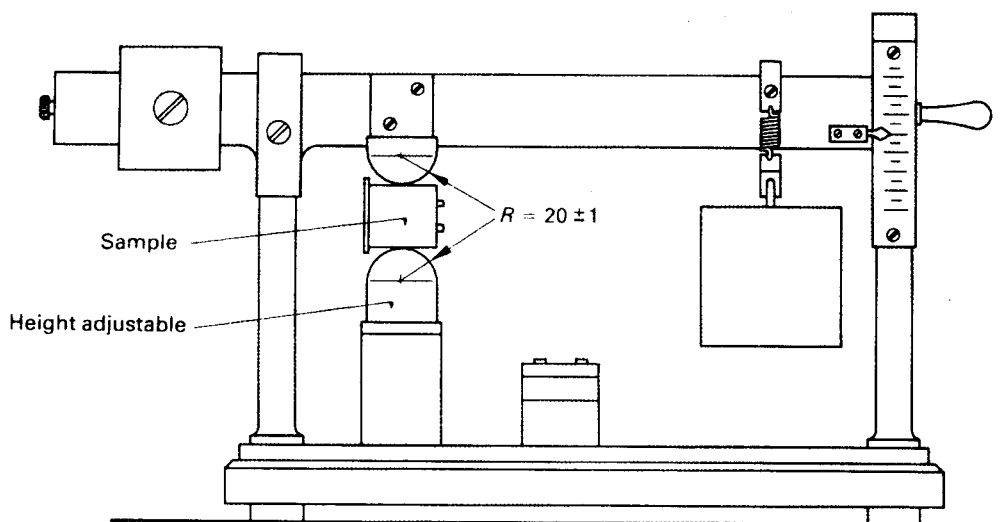
Figure 17 – Apparatus for the flexing test (see 22.4)

Figure 18 – VOID



Dimensions in millimetres

Figure 19 – Example of apparatus for pulling test (see 23.3)



Dimensions in millimetres

Figure 20 – Example of apparatus for pressure test on shrouds (see 23.4)

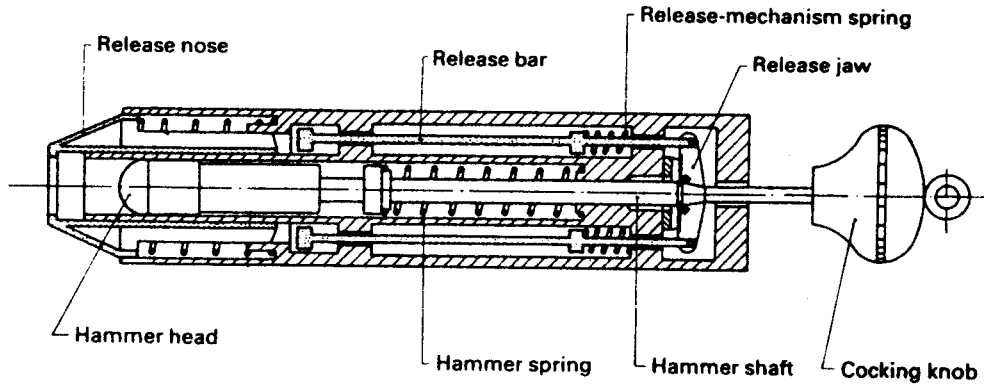
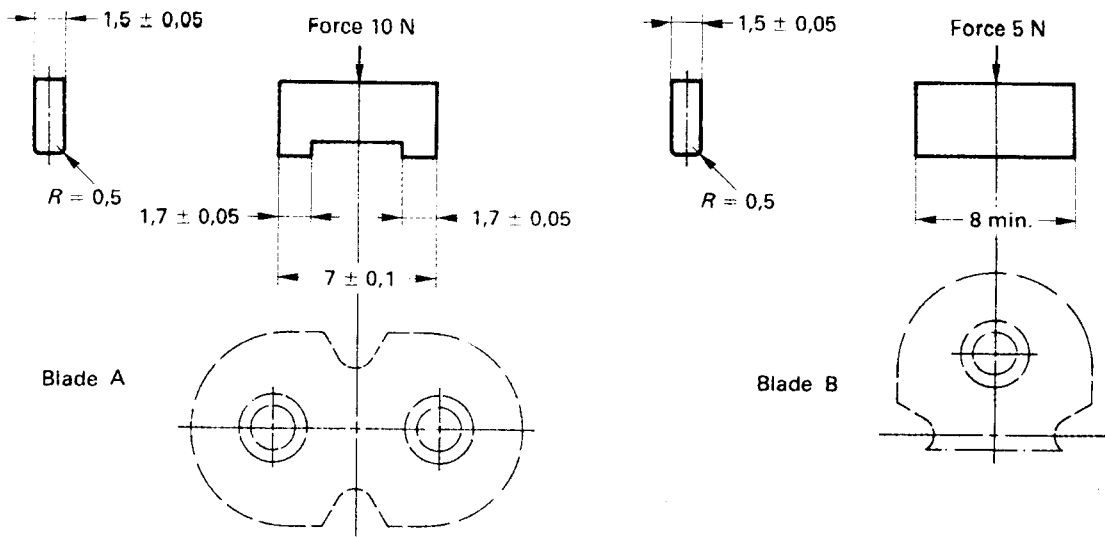
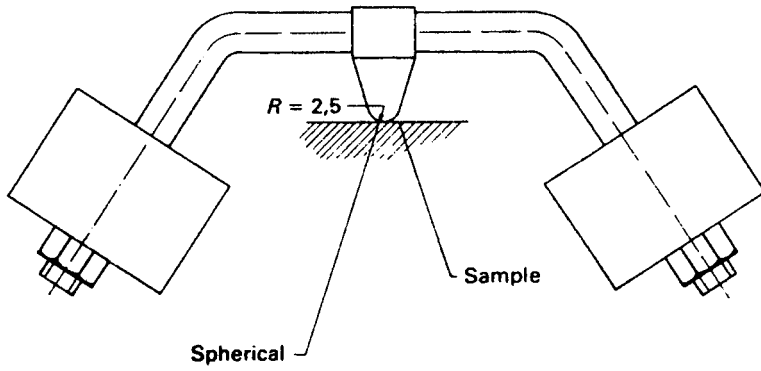


Figure 21 – Impact-test apparatus (see 23.5)



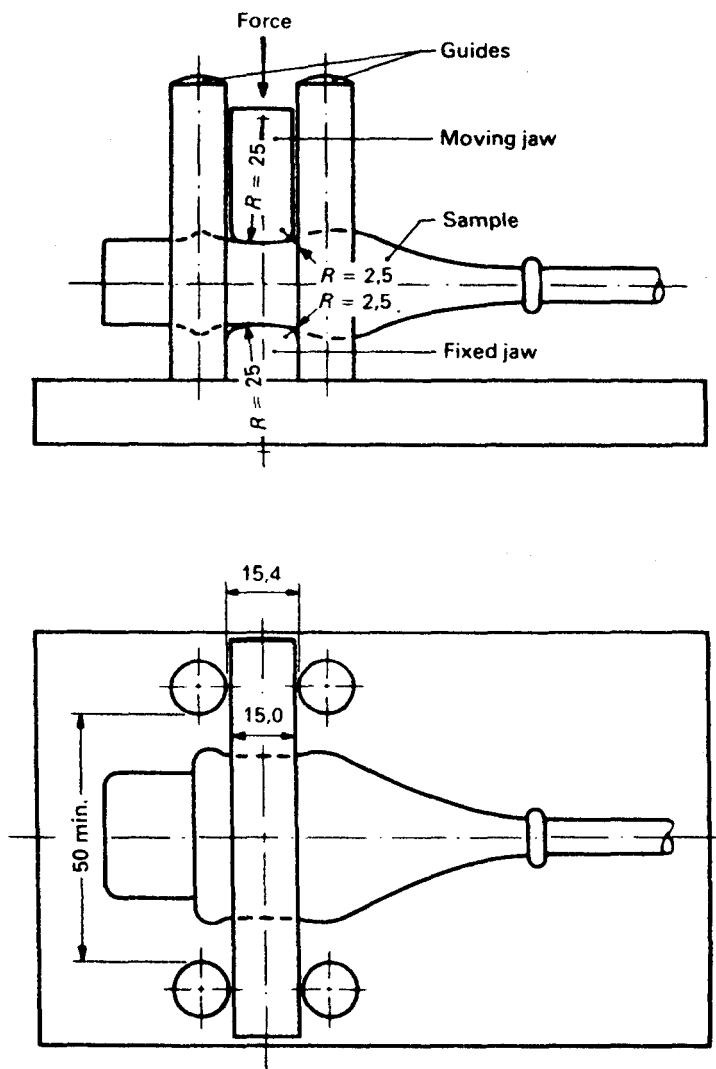
Dimensions in millimetres

Figure 22 – Blades for checking the resistance against deformation of the front part of the connector to standard sheet C7 (see 23.6)



Dimensions in millimetres

Figure 23 – Ball-pressure apparatus (see 24.1.2)

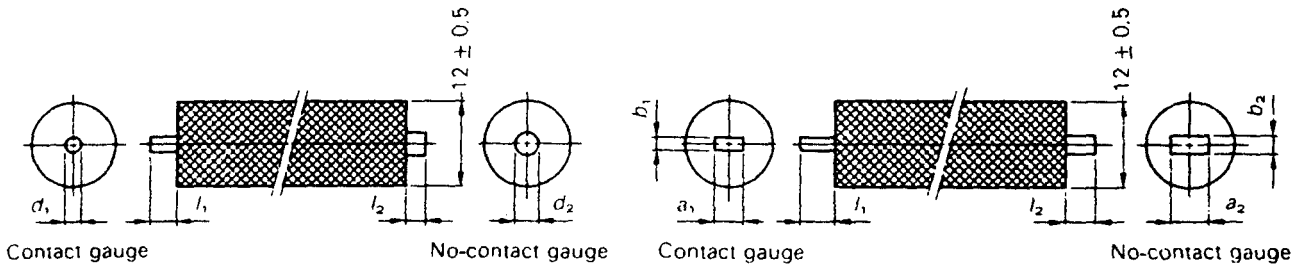


Dimensions in millimetres

Figure 24 – Apparatus for pressure test on connectors (see 24.1.3)

Figure 25 – VOID

Figure 26 – VOID



Dimensions in millimetres

Gauge for 0,2 A and 2,5 A connectors

Gauge for 6 A, 10 A and 16 A connectors

Dimension	Tolerance	Rated current of connector			
		0,2 A 2,5 A	6 A	10 A	16 A
a_1	+0,05 0	-	3,9	3,9	4,9 5,2 ²⁾
b_1	+0,05 0	-	1,95	1,95	1,95
d_1	+0,02 0	2,32 3,10 ¹⁾	-	-	-
l_1	+0,05 0	3,8	5,5	7,2	8,0
a_2	0 -0,05	-	5,0	5,0	6,0 7,0 ²⁾
b_2	0 -0,05	-	2,5	2,5	2,5
d_2	0 -0,02	2,9 3,8 ¹⁾	-	-	-
l_2	±0,025	2,95	3,95	5,65	6,45

1) For checking the earthing contact of 2,5 A connectors.
2) For checking the earthing contact of 16 A connectors.

The pins of the gauge shall be made from a conductive material.

The appropriate gauge shall be applied to the entry hole of each socket contact of the connector with a force not exceeding 5 N. When the gauge is fully inserted, the longer pin of the gauge ("contact gauge") shall make contact and the shorter pin ("no contact gauge") shall not make contact.

An electrical indicator with a voltage between 40 V and 50 V is used to show contact with the relevant socket contact.

The contact gauge and the no-contact gauge may be separate.

Figure 27 – Gauges for checking the distance from the engagement face of connectors to the point of first contact (see 9.1)

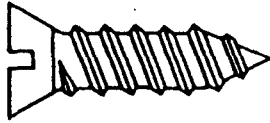


Figure 28 – Thread-forming tapping screw (see 3.19)

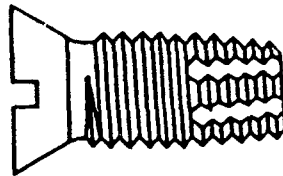
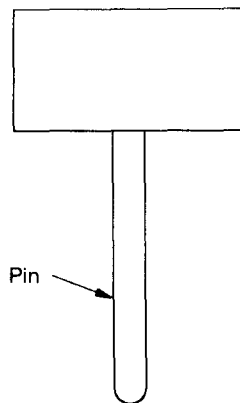


Figure 29 – Thread-cutting tapping screw (see 3.20)



Dimensions according to the relevant standard sheet

NOTE The mass is to be equally positioned around the centre line(s) of the pin.

Figure 30 – Gauge for the verification of the minimum withdrawal force

Annex A (normative)

Routine tests for factory wired appliance couplers related to safety (protection against electric shock and correct polarity)

All factory wired accessories shall be subjected to the following tests as appropriate.

Type of accessory	Test to be performed according to clause
Two-pole accessories	A.1
More than two-pole accessories	A.1, A.2, A.3

The test equipment or manufacturing systems shall be such that failed samples are either made unfit for use or separated from satisfactory products in such a way that they cannot be released for sale.

NOTE "Unfit for use" means that the accessory is treated in such a way that it cannot fulfil the intended function. It is, however, accepted that repairable products (by a reliable system) may be repaired and re-tested.

It shall be possible by process or manufacturing system to identify that accessories released for sale have been subjected to all the appropriate tests.

The manufacturer shall maintain a record of the tests carried out which shows

- type of product;
- date of test;
- place of manufacture (if manufactured in more than one place);
- tested quantity;
- number of failures and actions taken, i.e. destroyed/repaired.

The test equipment shall be checked before and after each period of use and for periods of continuous use, at least every 24 h. During these checks the equipment shall show that it indicates faults when known faulty products are inserted or simulated faults are applied.

Products manufactured prior to a check shall only be released for sale if the check is found satisfactory.

Test equipment shall be verified (calibrated) at least once a year.

Records shall be kept of all checks and any adjustments found necessary.

A.1 Polarized systems; Phase (L) and Neutral (N) – Correct connection

For polarized systems the test shall be made using SELV applied for a period of not less than 2 s between the remote end of the L and N conductors of the flexible cord independently and the corresponding L and N pin or contact of the accessory.

NOTE The period of 2 s may be reduced to not less than 1 s on test equipment with automatic timing.

Other suitable tests may be used.

Polarity shall be correct.

A.2 Earth (E) continuity

The test shall be made using SELV applied for a period of not less than 2 s between the remote end of the E conductor of the flexible cord and the E pin or contact of the accessory, as appropriate.

NOTE The period of 2 s may be reduced to not less than 1 s on test equipment with automatic timing.

Other suitable tests may be used.

Continuity shall be present.

A.3 Short circuit/wrong connection and reduction in creepage distance and clearance L or N to E

The test shall be made between the L and N conductors and the E conductor by applying at the supply end an a.c. voltage of $2\,000\text{ V} \pm 200\text{ V}$, 50 Hz or 60 Hz for a period of not less than 2 s,

NOTE The period of 2 s may be reduced to not less than 1 s on test equipment with automatic timing.

or

by an impulse voltage test using 1,2/50 μs wave form, 4 kV peak value, three impulses for each pole, with intervals of not less than 1 s, the test voltage being applied at the supply end.

The L and N conductors may be connected together for this test.

No flashover shall occur.

(Continued from second cover)

<i>International Standard</i>	<i>Title</i>
IEC 60695-2-10 : 2000	Fire hazard testing — Part 2-10: Glowing/hot-wire based test methods — Glow-wire apparatus and common test procedure
IEC 60695-2-11 : 2000	Fire hazard testing — Part 2-11: Glowing/hot-wire based test methods — Glow-wire flammability test method for end products
IEC 60695-2-12 : 2000	Fire hazard testing — Part 2-12: Glowing/hot-wire based test methods — Glow-wire flammability test method for materials
IEC 60695-2-13 : 2000	Fire hazard testing — Part 2-13: Glowing/hot-wire based test methods — Glow-wire ignitability test method for materials
IEC 60730 (all parts)	Automatic electrical controls for household and similar use
IEC 61058 (all parts)	Switches for appliances
IEC 61140 : 1997	Protection against electric shock — Common aspects for installation and equipment
ISO 286-1 : 1988	ISO system of limits and fits — Part 1: Bases of tolerances, deviations and fits
ISO 1101:1903	Technical drawings — Geometrical tolerancing — Tolerancing of form, orientation, location and run-out — Generalities, definitions, symbols, indications on drawings
ISO 1456:1988	Metallic coatings — Electrodeposited coating of nickel plus chromium and of copper plus nickel plus chromium

Only the English text of the International Standard has been retained while adopting it as an Indian Standard, and as such the page numbers given here are not the same as in the IEC Publication.

For the purpose of deciding whether a particular requirement of this standard is complied with, the final value, observed or calculated, expressing the result of a test or analysis, shall be rounded off in accordance with IS 2 : 1960 'Rules for rounding off numerical values (*revised*)'. The number of significant places retained in the rounded off value should be the same as that of the specified value in this standard.

Bureau of Indian Standards

BIS is a statutory institution established under the *Bureau of Indian Standards Act, 1986* to promote harmonious development of the activities of standardization, marking and quality certification of goods and attending to connected matters in the country.

Copyright

BIS has the copyright of all its publications. No part of these publications may be reproduced in any form without the prior permission in writing of BIS. This does not preclude the free use, in the course of implementing the standard, of necessary details, such as symbols and sizes, type or grade designations. Enquiries relating to copyright be addressed to the Director (Publications), BIS.

Review of Indian Standards

Amendments are issued to standards as the need arises on the basis of comments. Standards are also reviewed periodically; a standard along with amendments is reaffirmed when such review indicates that no changes are needed; if the review indicates that changes are needed, it is taken up for revision. Users of Indian Standards should ascertain that they are in possession of the latest amendments or edition by referring to the latest issue of 'BIS Catalogue' and 'Standards: Monthly Additions'.

This Indian Standard has been developed from Doc: No. ETD 14 (5773).

Amendments Issued Since Publication

Amend No.	Date of Issue	Text Affected

BUREAU OF INDIAN STANDARDS

Headquarters:

Manak Bhavan, 9 Bahadur Shah Zafar Marg, New Delhi 110002

Telephones: 2323 0131, 2323 3375, 2323 9402

website : www.bis.org.in

Regional Offices:

	Telephones
Central : Manak Bhavan, 9 Bahadur Shah Zafar Marg NEW DELHI 110002	{ 2323 7617 2323 3841
Eastern : 1/14 C.I.T. Scheme VII M, V.I.P. Road, Kankurgachi KOLKATA 700054	{ 2337 8499, 2337 8561 2337 8626, 2337 9120
Northern : SCO 335-336, Sector 34-A, CHANDIGARH 160022	{ 260 3843 260 9285
Southern : C.I.T. Campus, IV Cross Road, CHENNAI 600113	{ 2254 1216, 2254 1442 2254 2519, 2254 2315
Western : Manakalaya, E9 MIDC, Marol, Andheri (East) MUMBAI 400093	{ 2832 9295, 2832 7858 2832 7891, 2832 7892

Branches: AHMEDABAD. BANGALORE. BHOPAL. BHUBANESHWAR. COIMBATORE. FARIDABAD. GHAZIABAD. GUWAHATI. HYDERABAD. JAIPUR. KANPUR. LUCKNOW. NAGPUR. PARWANOO. PATNA. PUNE. RAJKOT. THIRUVANANTHAPURAM. VISAKHAPATNAM.