

Daughterboards V4

by David Viberg, Aug 6, 2020

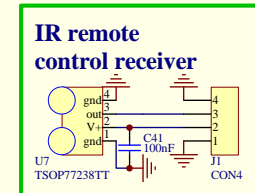
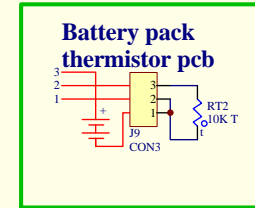
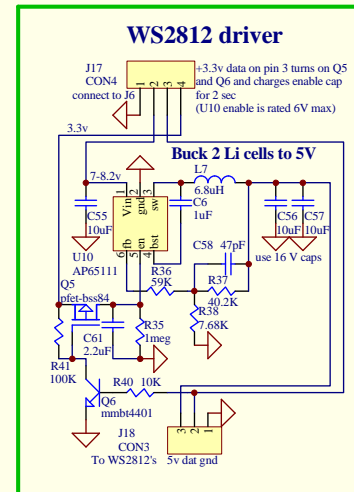
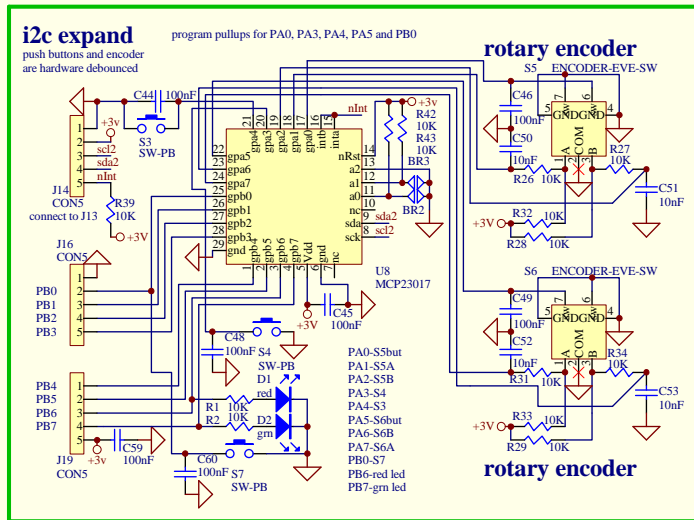
MIT License

In collaboration with Chuck Rohs / Zethus Information Systems

Same as V3 but with a different layout

V2 adds optional encoder and buttons (manual volume is important imho) and a board that bucks battery to 5V to drive WS2812 vu meter light show

V2 adds battery pack thermistor board for safety at 1-2A charge rates (also the charger generates enough heat that it affects a local thermistor)



Title		
Size B	Number	Revision
Date: 25-Sep-2020	Sheet of	
File: \\DLINK-EC262D-R\Volume_1\Data\PROJ\BGA\Buck\SqueezeAMP\pcb\SqueezeAmpToo.dbb		

