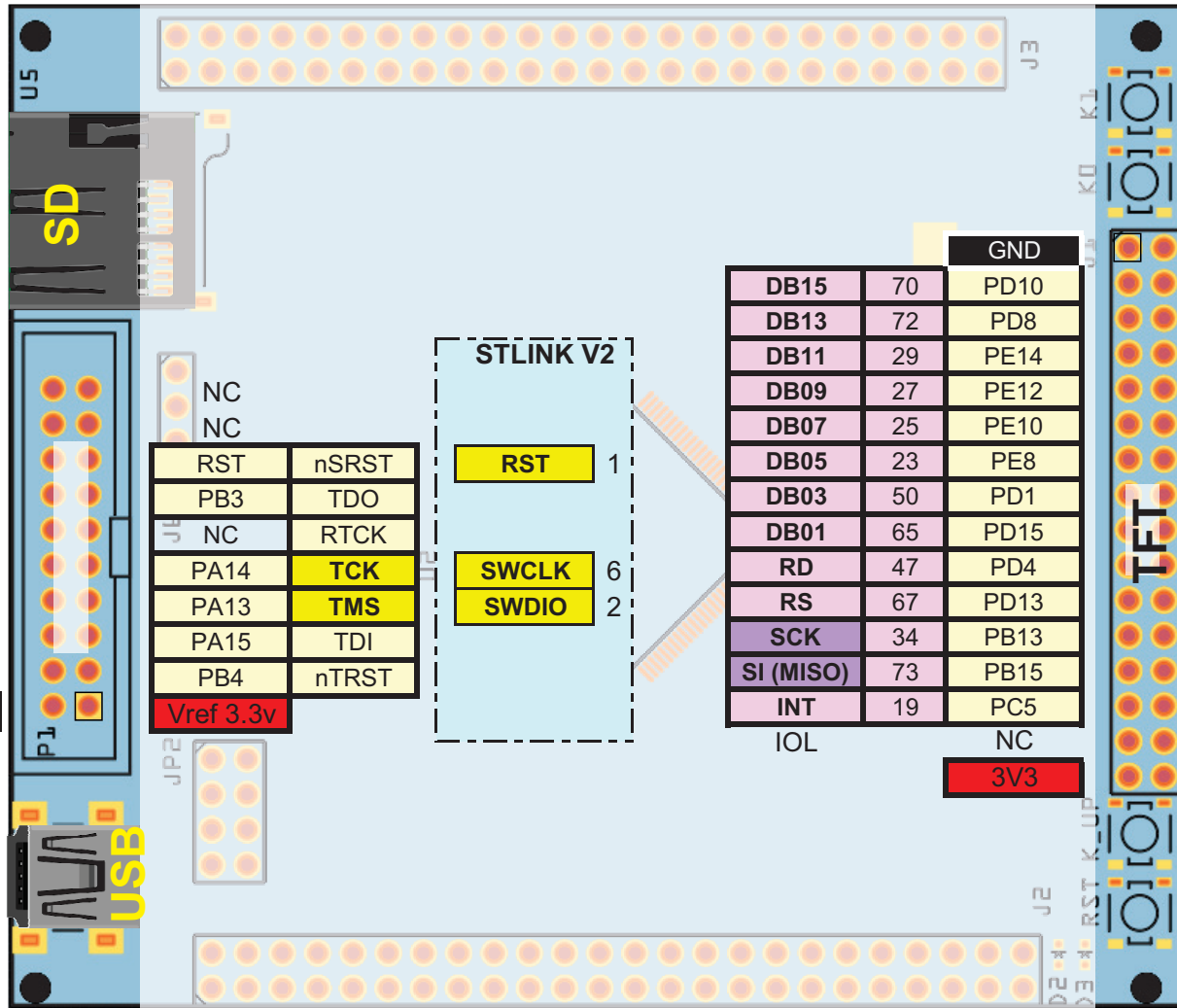
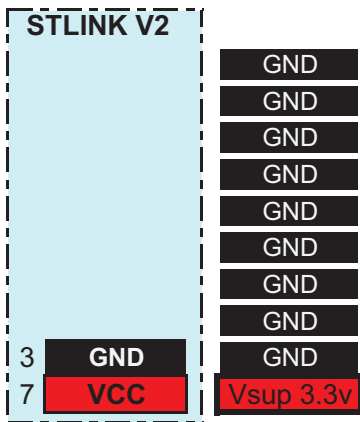


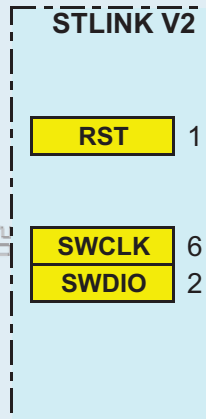


BLACK STM32F4VET6 BOARD PINOUTS JTAG and TFT PE2 = Pin0

Primary	Alternates
Port 5V tolerant	Not 5v tolerant
Dig/PWM	Dig/PWM
Special	Special
Analog	Analog
Serial	Serial
SPI	SPI (I2S)
I2C	I2C
GND	PWR



NC	NC
RST	nSRST
PB3	TDO
NC	RTCK
PA14	TCK
PA13	TMS
PA15	TDI
PB4	nTRST
Vref 3.3v	



		GND
DB15	70	PD10
DB13	72	PD8
DB11	29	PE14
DB09	27	PE12
DB07	25	PE10
DB05	23	PE8
DB03	50	PD1
DB01	65	PD15
RD	47	PD4
RS	67	PD13
SCK	34	PB13
SI (MISO)	73	PB15
INT	19	PC5
IOL		NC
		3V3

