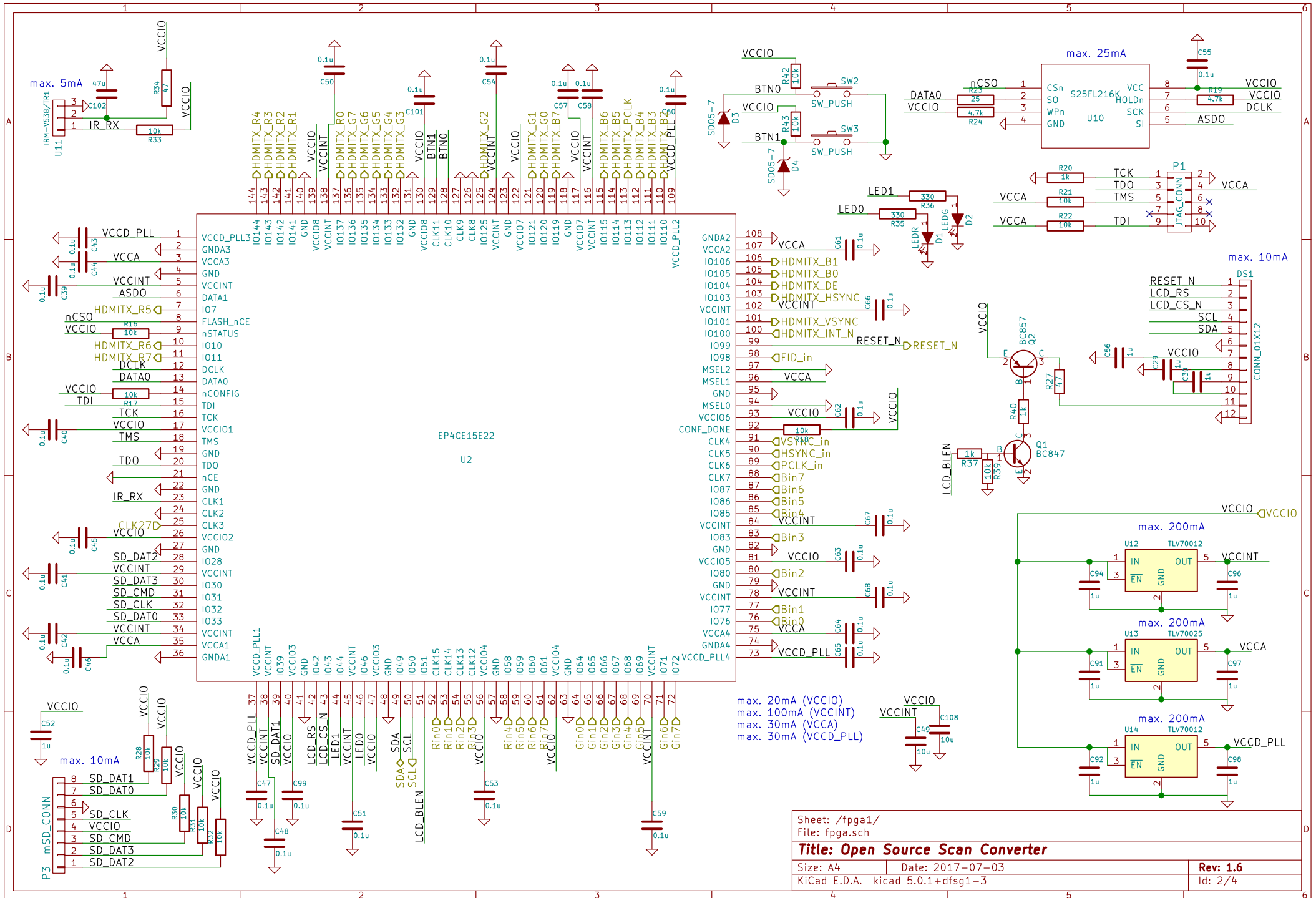
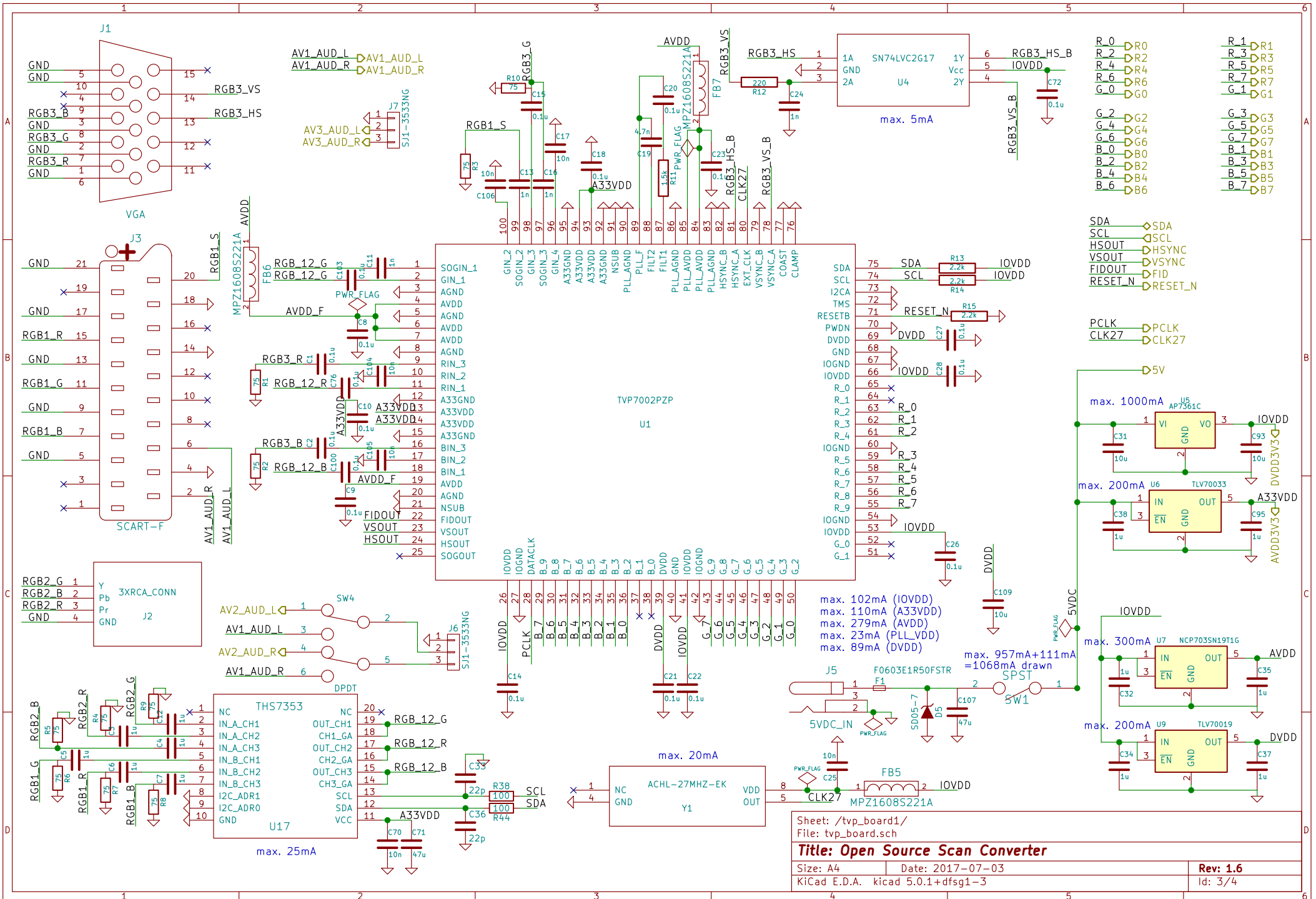


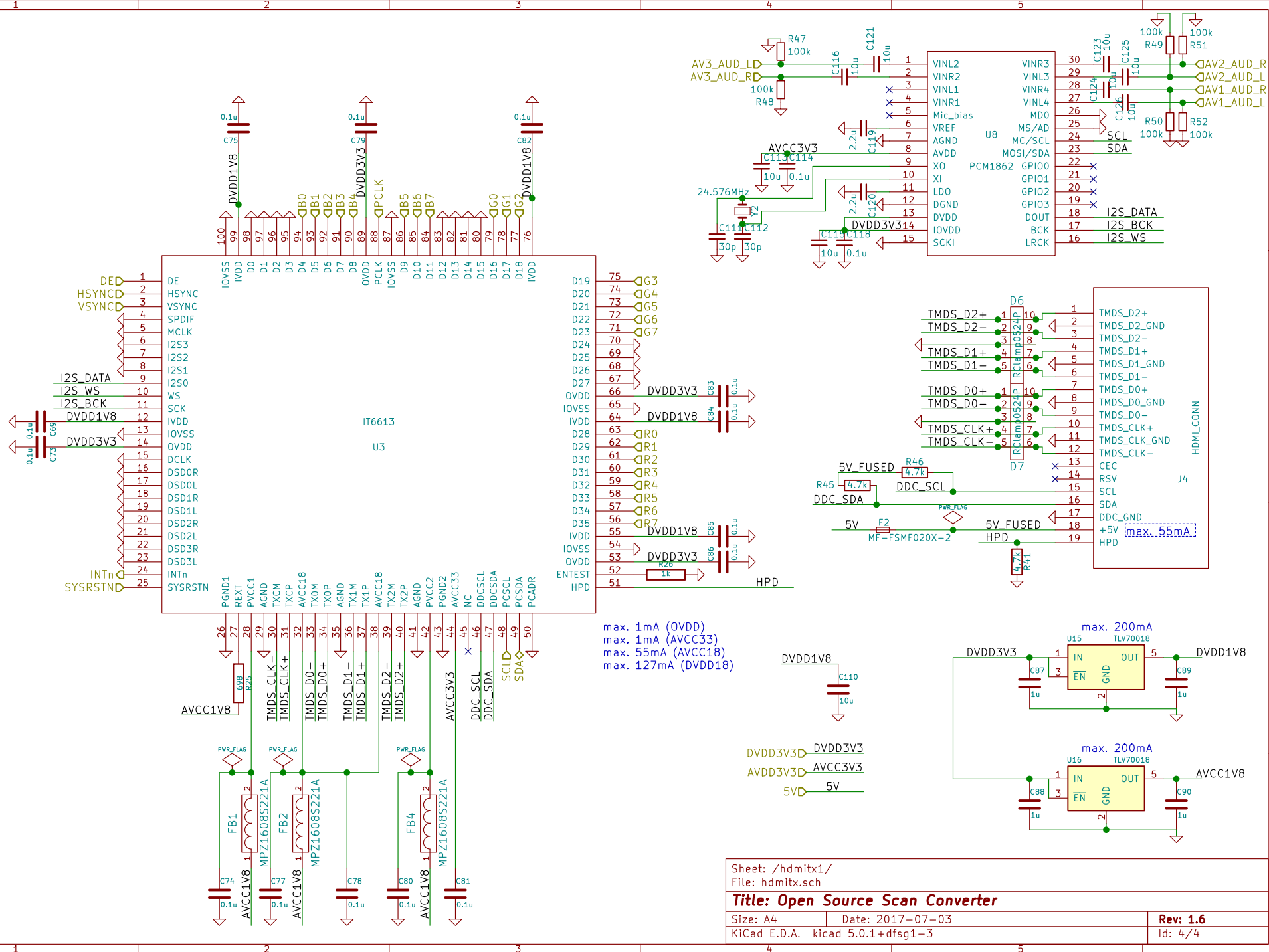
Sheet: /	
File: ossc_board.sch	
Title: Open Source Scan Converter	
Size: A4	Date: 2017-07-03
KiCad E.D.A. kicad 5.0.1+dfsg1-3	Rev: 1.6
	Id: 1/4



Sheet: /fpga1/ File: fpga.sch			
Title: Open Source Scan Converter			
Size: A4	Date: 2017-07-03	Rev: 1.6	
KiCad E.D.A. kicad 5.0.1+dfsg1-3		Id: 2/4	



Sheet: /tvp_board1/ File: tvp_board.sch	
Title: Open Source Scan Converter	
Size: A4	Date: 2017-07-03
KiCad E.D.A. kicad 5.0.1+dfsg1-3	Rev: 1.6 Id: 3/4



max. 1mA (OVDD)
 max. 1mA (AVCC33)
 max. 55mA (AVCC18)
 max. 127mA (DVDD18)

Sheet: /hdmidx1/		File: hdmidx.sch	
Title: Open Source Scan Converter			
Size: A4	Date: 2017-07-03	Rev: 1.6	
KiCad E.D.A. kicad 5.0.1+dfsg1-3		Id: 4/4	