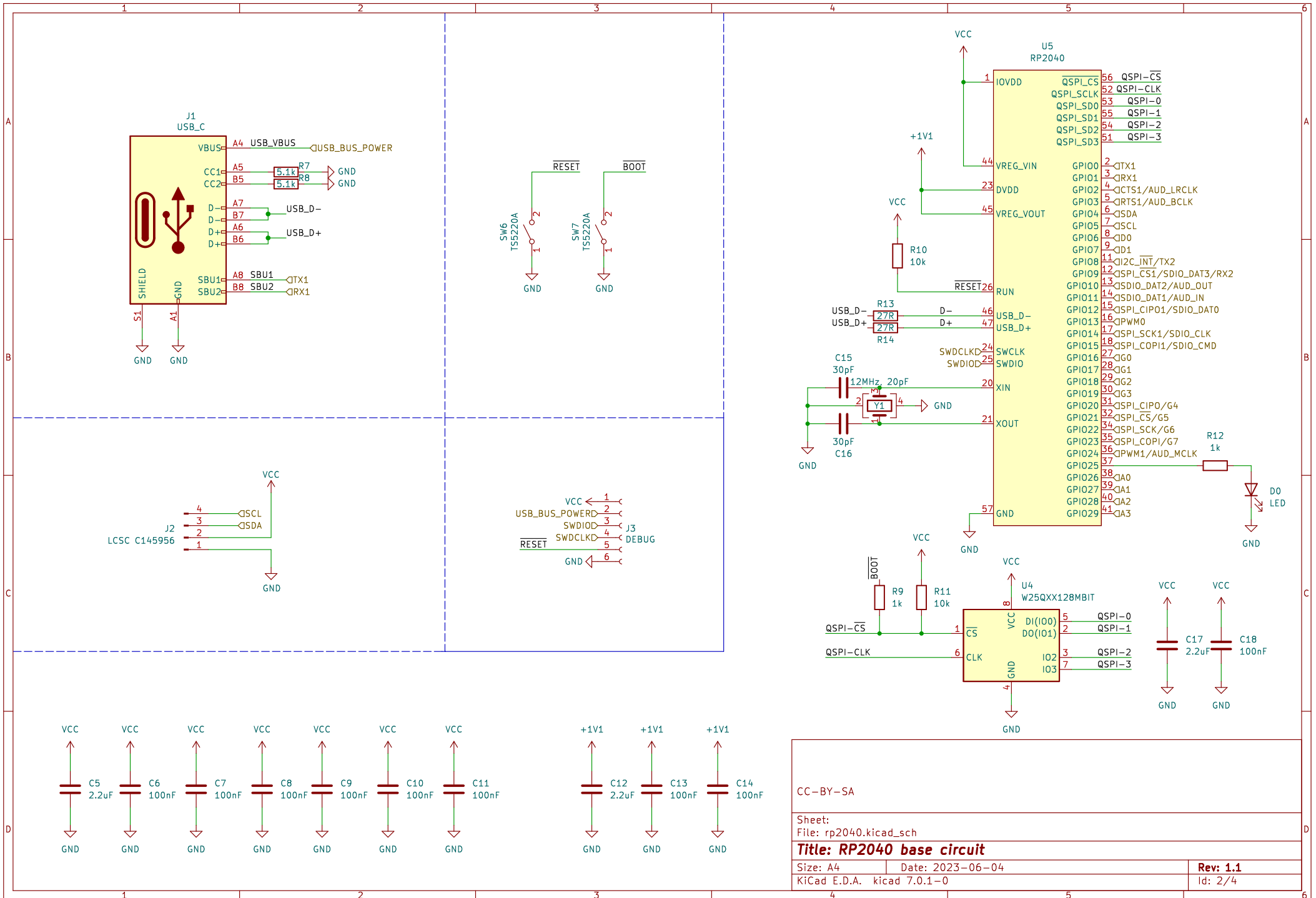


CC-BY-SA

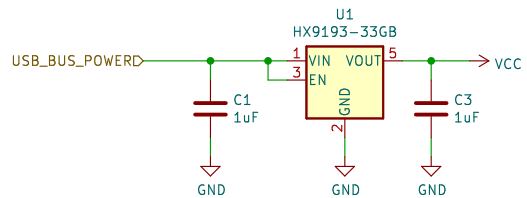
Sheet:
File: nfc_reader.kicad_sch

Title: NFC PN7150 reader with RP2040

Size: A4	Date: 2023-06-04	Rev: 1.1
KiCad E.D.A. kicad 7.0.1-0		Id: 1/4



CC-BY-SA	
Sheet:	
File: rp2040.kicad_sch	
Title: RP2040 base circuit	
Size: A4	Date: 2023-06-04
KiCad E.D.A. kicad 7.0.1-0	Rev: 1.1
	Id: 2/4



CC-BY-SA

Sheet:
File: psu_usb_3v3.kicad_sch

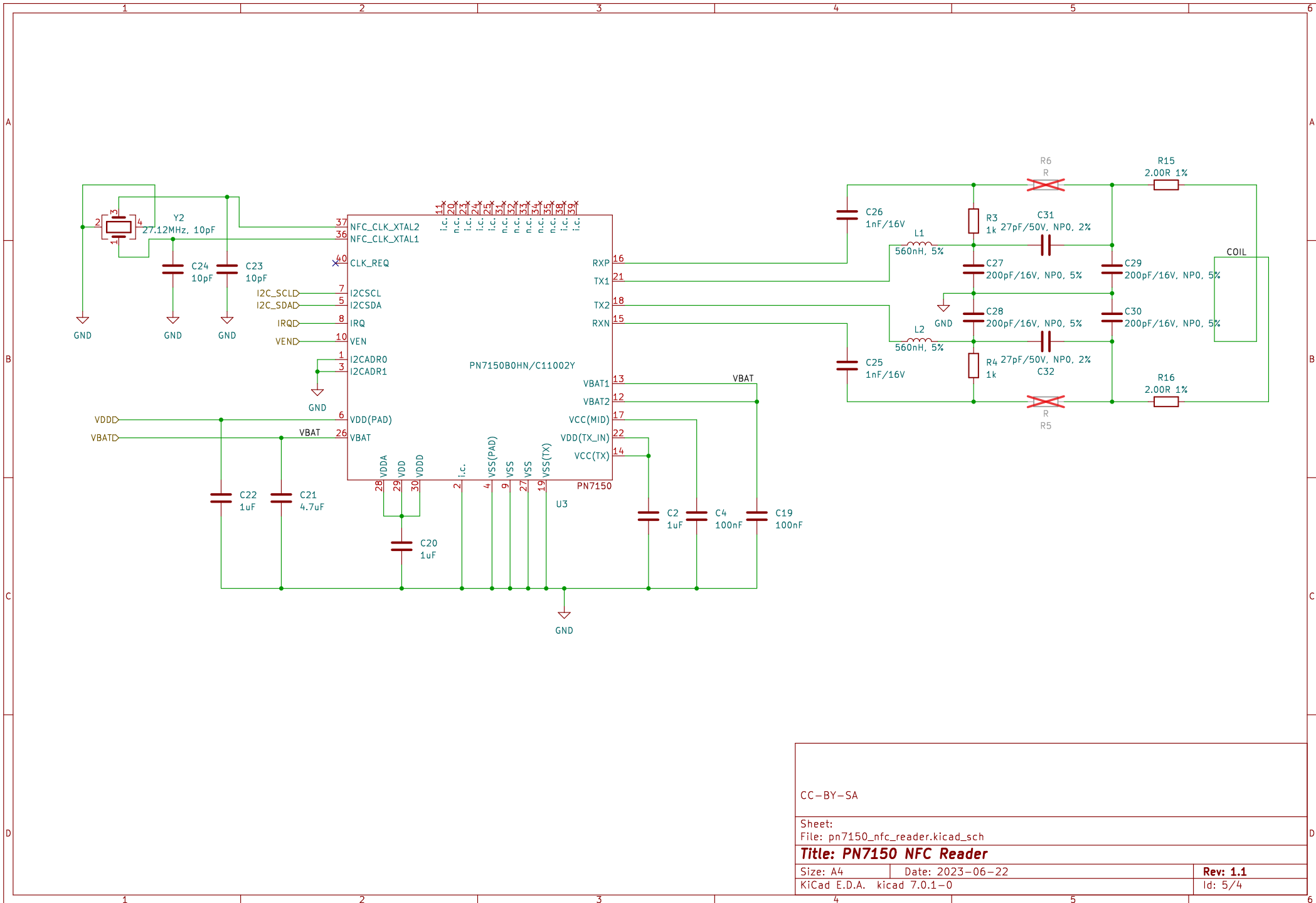
Title: USB reg to 3v3

Size: A4 Date: 2023-05-07

KiCad E.D.A. kicad 7.0.1-0

Rev: 1.0

Id: 3/4



CC-BY-SA

Sheet:
File: pn7150_nfc_reader.kicad_sch

Title: PN7150 NFC Reader

Size: A4 Date: 2023-06-22

KiCad E.D.A. kicad 7.0.1-0

Rev: 1.1

Id: 5/4