

NTAG NFC



File: ntag_nfc.kicad_sch

SCL
SDA



VCC

GND



CC-BY-SA

Sheet:
File: nfc_card_emulation_large.kicad_sch

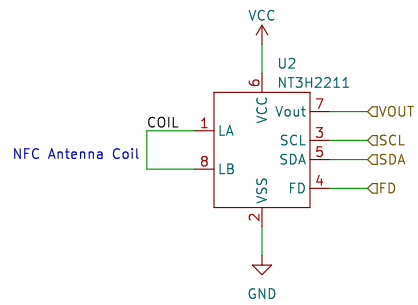
Title: NFC Card Emulation only

Size: A4 Date: 2023-06-22

KiCad E.D.A. kicad 7.0.1-0

Rev: 1.1

Id: 1/2



CC-BY-SA

Sheet:
File: ntag_nfc.kicad_sch

Title: NFC NTAG I2C tag

Size: A4 Date: 2023-06-22

KiCad E.D.A. kicad 7.0.1-0

Rev: 1.0

Id: 4/2