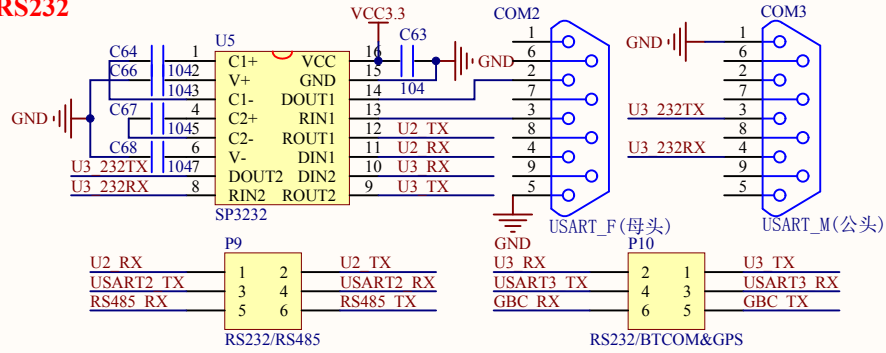


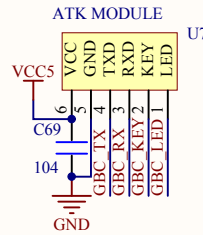




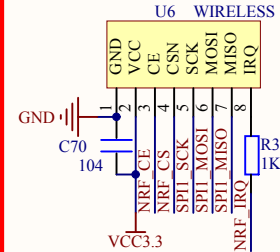
### RS232



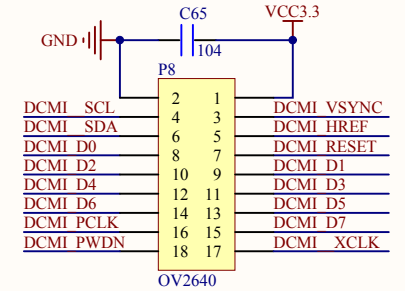
### ATK MODULE



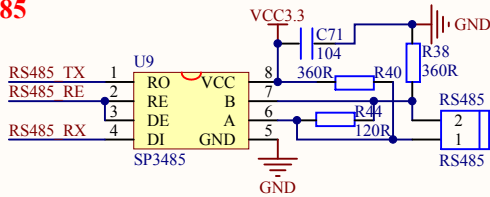
### WIRELESS



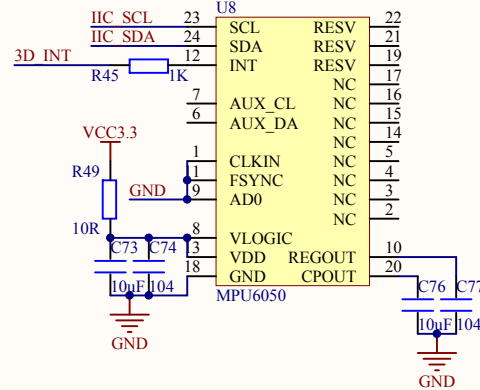
### OLED&CAMERA



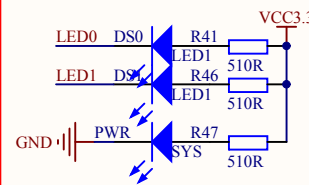
### RS485



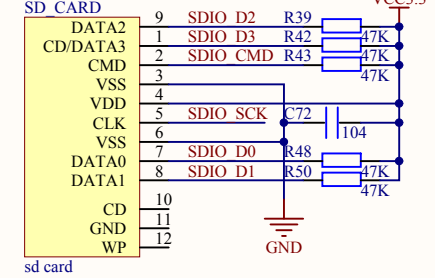
### 6 AXIS SENSOR



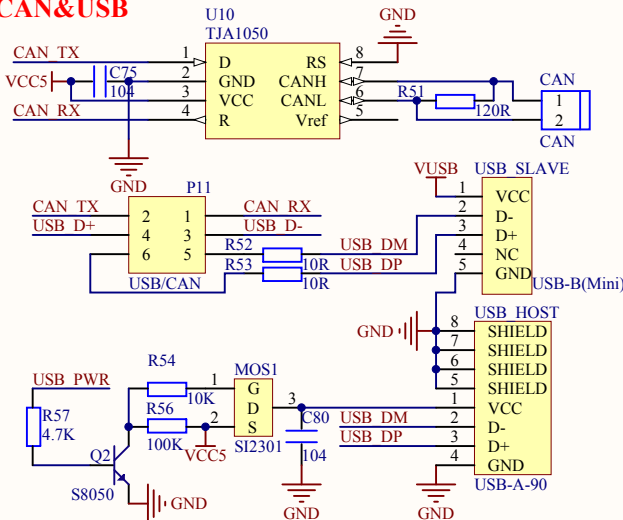
### LED



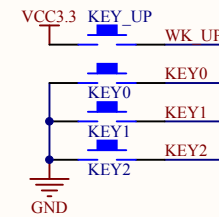
### SD CARD



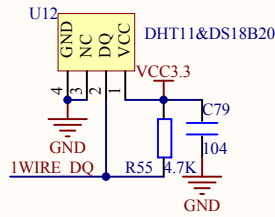
### CAN&USB



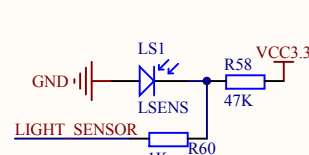
### KEY



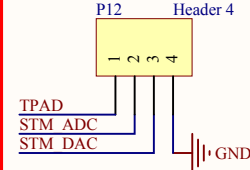
### TEMP&HUMI SENSOR



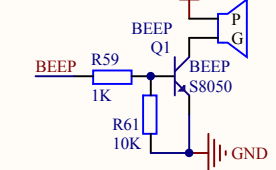
### LIGHT\_SENSOR



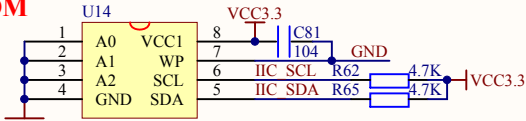
### ADC&DAC



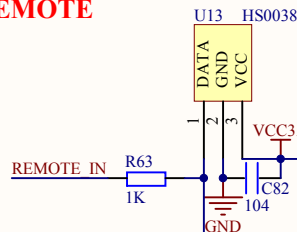
### BEEP



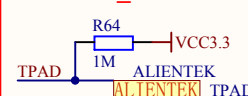
### EEPROM



### REMOTE



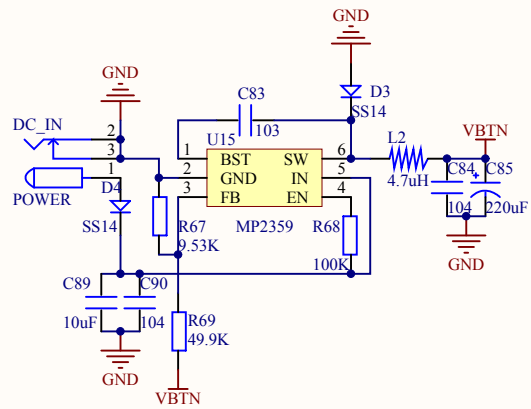
### TOUCH\_KEY



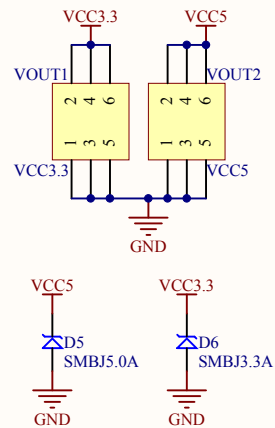
Title: STM32F407 EXPLORER DEVICES	
Author: ATOM@ALIENTEK	Size: SheetSize
Date: 2015/7/8	File: DEVICE.SchDoc
Revision: V2.0	Version: Version



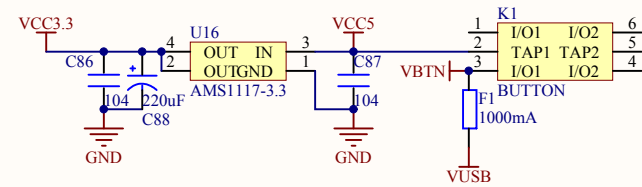
## DC POWER IN



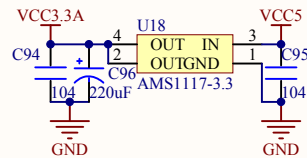
## ON BOARD POWER SOURCE



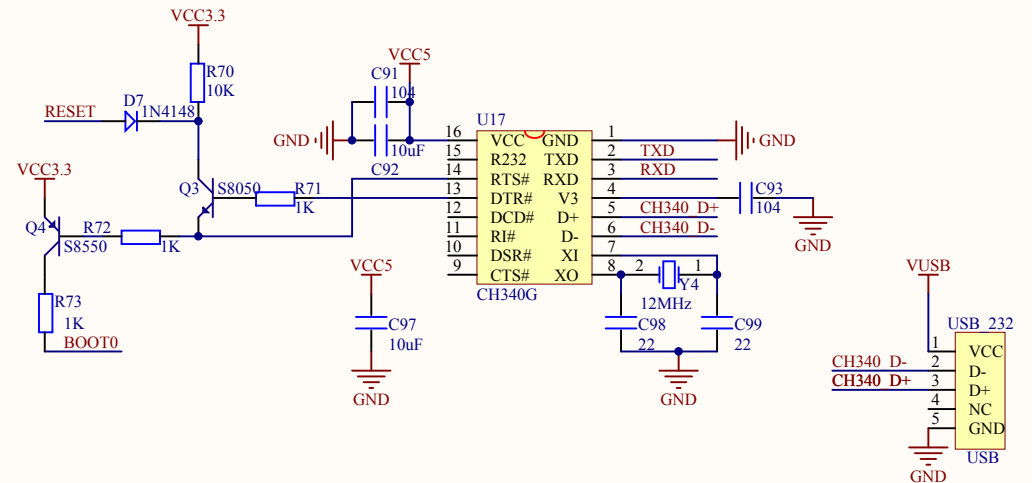
## 3.3V & POWER SWITCH



## WM8978 ANALOG POWER



## USB USART&USB POWER



160.00mm

121.00mm

