



SERVICE PARTS LIST

BULLETIN NO.
54-07-2900

SPECIFY CATALOG NO. AND SERIAL NO. WHEN ORDERING PARTS		REVISED BULLETIN	DATE
M18™ 500GB Control Hub			May 2023
CATALOG NO.	2970-20	SERIAL NO.	L02A
WIRING INSTRUCTION			

For Monitor
2971-20:
Refer to Service
Bulletin 54-07-2905

For Small Reel Camera **For Large Reel Camera**
2973-20: **2974-20:**
Refer to Service Refer to Service
Bulletin 54-07-2910 Bulletin 54-07-2915

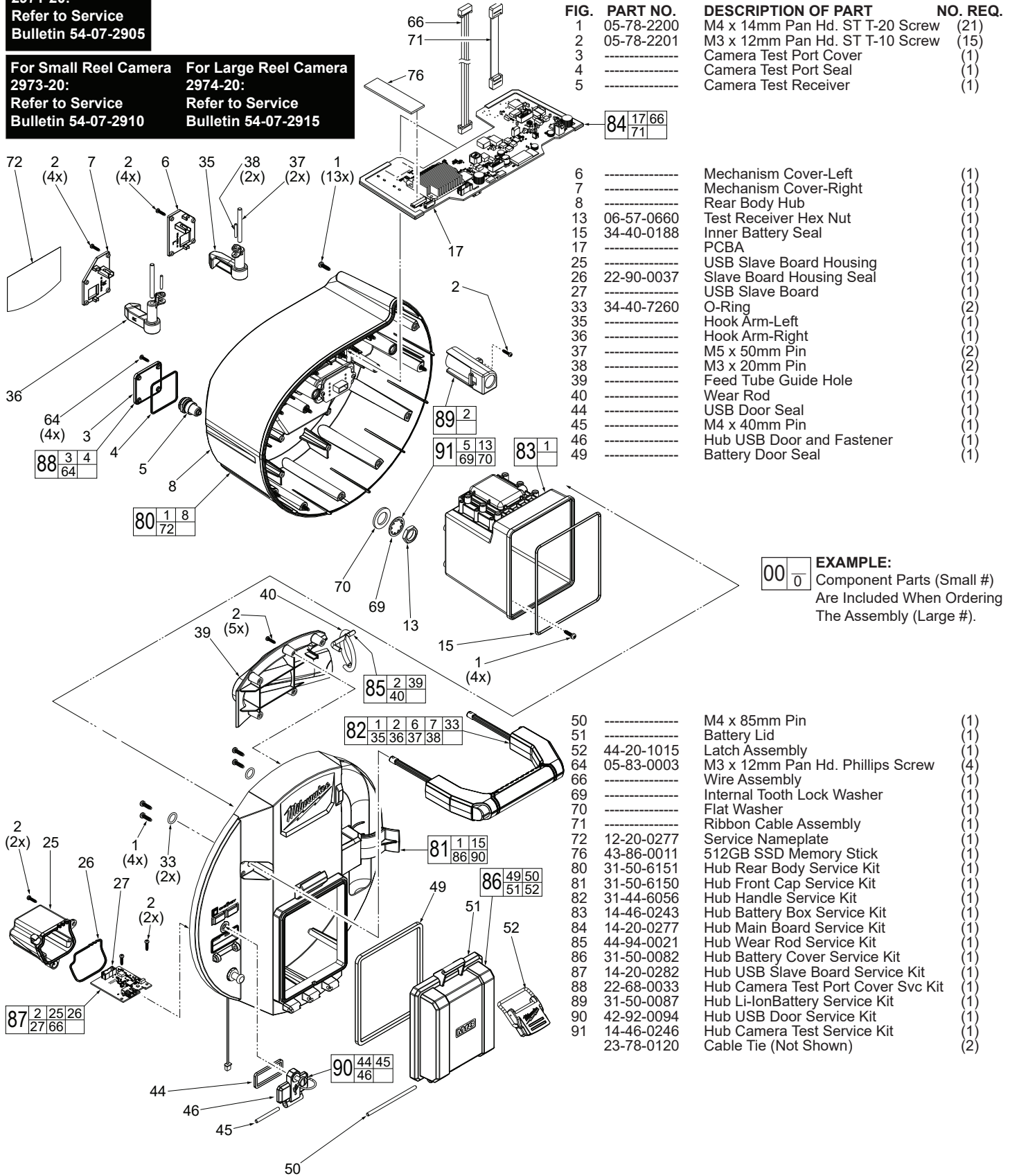


FIG.	PART NO.	DESCRIPTION OF PART	NO. REQ.
1	05-78-2200	M4 x 14mm Pan Hd. ST T-20 Screw	(21)
2	05-78-2201	M3 x 12mm Pan Hd. ST T-10 Screw	(15)
3	-----	Camera Test Port Cover	(1)
4	-----	Camera Test Port Seal	(1)
5	-----	Camera Test Receiver	(1)
6	-----	Mechanism Cover-Left	(1)
7	-----	Mechanism Cover-Right	(1)
8	-----	Rear Body Hub	(1)
13	06-57-0660	Test Receiver Hex Nut	(1)
15	34-40-0188	Inner Battery Seal	(1)
17	-----	PCBA	(1)
25	-----	USB Slave Board Housing	(1)
26	22-90-0037	Slave Board Housing Seal	(1)
27	-----	USB Slave Board	(1)
33	34-40-7260	O-Ring	(2)
35	-----	Hook Arm-Left	(1)
36	-----	Hook Arm-Right	(1)
37	-----	M5 x 50mm Pin	(2)
38	-----	M3 x 20mm Pin	(2)
39	-----	Feed Tube Guide Hole	(1)
40	-----	Wear Rod	(1)
44	-----	USB Door Seal	(1)
45	-----	M4 x 40mm Pin	(1)
46	-----	Hub USB Door and Fastener	(1)
49	-----	Battery Door Seal	(1)
50	-----	M4 x 85mm Pin	(1)
51	-----	Battery Lid	(1)
52	44-20-1015	Latch Assembly	(1)
64	05-83-0003	M3 x 12mm Pan Hd. Phillips Screw	(4)
66	-----	Wire Assembly	(1)
69	-----	Internal Tooth Lock Washer	(1)
70	-----	Flat Washer	(1)
71	-----	Ribbon Cable Assembly	(1)
72	12-20-0277	Service Nameplate	(1)
76	43-86-0011	512GB SSD Memory Stick	(1)
80	31-50-6151	Hub Rear Body Service Kit	(1)
81	31-50-6150	Hub Front Cap Service Kit	(1)
82	31-44-6056	Hub Handle Service Kit	(1)
83	14-46-0243	Hub Battery Box Service Kit	(1)
84	14-20-0277	Hub Main Board Service Kit	(1)
85	44-94-0021	Hub Wear Rod Service Kit	(1)
86	31-50-0082	Hub Battery Cover Service Kit	(1)
87	14-20-0282	Hub USB Slave Board Service Kit	(1)
88	22-68-0033	Hub Camera Test Port Cover Svc Kit	(1)
89	31-50-0087	Hub Li-Ion Battery Service Kit	(1)
90	42-92-0094	Hub USB Door Service Kit	(1)
91	14-46-0246	Hub Camera Test Service Kit	(1)
	23-78-0120	Cable Tie (Not Shown)	(2)

EXAMPLE:
00 0 Component Parts (Small #)
Are Included When Ordering
The Assembly (Large #).