

WARNING ESP Header has 3V3 signals, DO NOT connect to 5V signals, you could damage the ESP32-S3 which is not 5V tolerant

WARNING The Qwiic connector is 3V3 only. DO NOT connect any components operating on 5V as this may damage your board

Legend :

- Power
- IN Power Input
- OUT Power Output
- Ground
- GPIO Digital External
- Analog External
- Main Part
- Secondary Part
- Internal Component
- Other Pins (Reset, System Contrl, Debugging)
- I2C
- SPI
- UART/USART
- Other SERIAL Communication
- Analog
- PWM/Timer
- D Default
- D Default
- D Default
- D Default
- LED LED
- RGB LED RGB LED
- Other Other

i CIP0/COPI have previously been referred ot as MISO/MOSI



SKU code: ABX00087
Full Pinout - Page 1 of 4
Last update: 30 Jun, 2023

DOCS . ARDUINO . CC

This work is licensed under the Creative Commons Attribution-ShareAlike 4.0 International License. To view a copy of this license, visit <http://creativecommons.org/licenses/by-sa/4.0/> or send a letter to Creative Commons, PO Box 1866, Mountain View, CA 94042, USA.

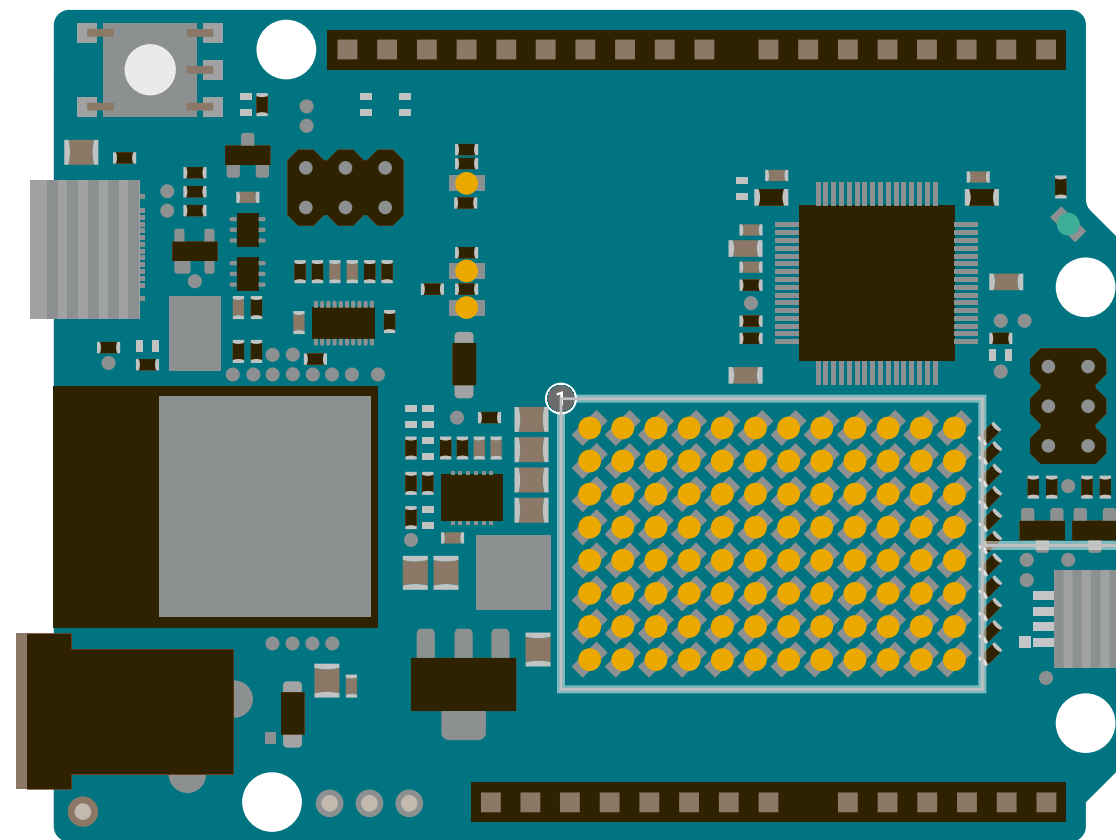
WARNING!

Advanced Section

The following information is for advanced use only and may not be officially supported by Arduino software



LED Matrix 8x12



1	2	3	4	5	6	7	8	9	10	11	12
13	14	15	16	17	18	19	20	21	22	23	24
25	26	27	28	29	30	31	32	33	34	35	36
37	38	39	40	41	42	43	44	45	46	47	48
49	50	51	52	53	54	55	56	57	58	59	60
61	62	63	64	65	66	67	68	69	70	71	72
73	74	75	76	77	78	79	80	81	82	83	84
85	86	87	88	89	90	91	92	93	94	95	96

Legend:

Power

IN Power Input

OUT Power Output

Ground

GPIO Digital External

Analog External

Main Part

Secondary Part

Internal Component

Other Pins (Reset, System Contr1, Debugging)

I2C

SPI

UART/USART

Other SERIAL Communication

Analog

PWM/Timer

D Default

D Default

D Default

D Default

LED

RGB LED

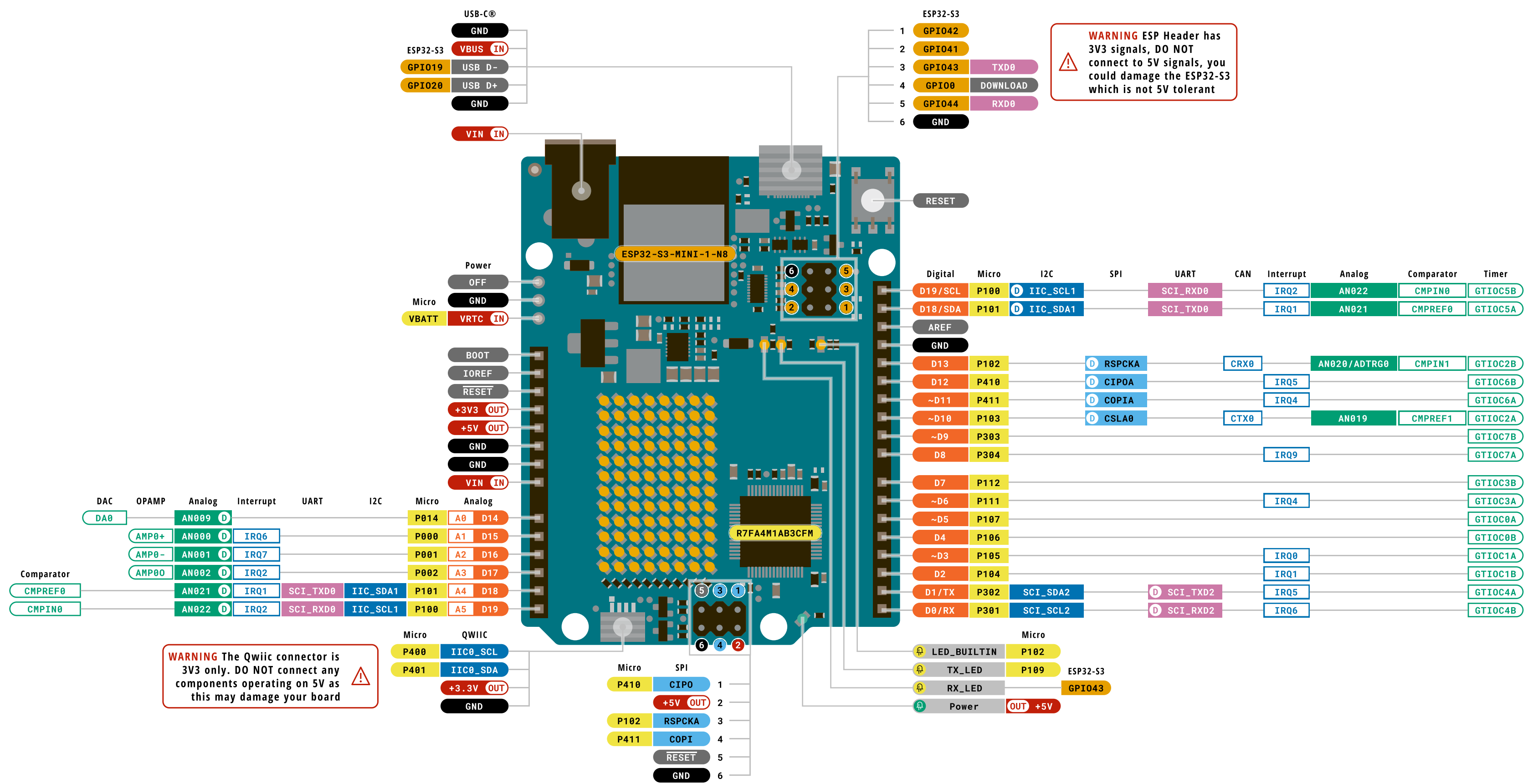
Other

i CIP0/COPI have previously been referred ot as MISO/MOSI



SKU code: ABX00087
Full Pinout - Page 3 of 4
Last update: 30 Jun, 2023

DOCS . ARDUINO . CC
This work is licensed under the Creative Commons Attribution-ShareAlike 4.0 International License. To view a copy of this license, visit <http://creativecommons.org/licenses/by-sa/4.0/> or send a letter to Creative Commons, PO Box 1866, Mountain View, CA 94042, USA.



Legend:

- Power: [Red Box]
- Power Input: [IN]
- Power Output: [OUT]
- Ground: [Black Box]
- GPIO Digital External: [Orange Box]
- Analog External: [Light Orange Box]
- Main Part: [Yellow Box]
- Secondary Part: [Light Yellow Box]
- Internal Component: [Grey Box]
- Other Pins (Reset, System Contrl, Debugging): [Dark Grey Box]
- I2C: [Blue Box]
- SPI: [Light Blue Box]
- UART/USART: [Purple Box]
- Other SERIAL Communication: [Light Blue Box]
- Analog: [Green Box]
- PWM/Timer: [Light Green Box]
- Default: [D]
- LED: [LED Icon]
- RGB LED: [RGB LED Icon]
- Other: [Other Icon]

Notes:

- CIPO/COPI have previously been referred to as MISO/MOSI

ARDUINO UNO R4 WiFi BOARD

SKU code: ABX00087
Full Pinout - Page 4 of 4
Last update: 30 Jun, 2023

DOCS.ARDUINO.CC

This work is licensed under the Creative Commons Attribution-ShareAlike 4.0 International License. To view a copy of this license, visit <http://creativecommons.org/licenses/by-sa/4.0/> or send a letter to Creative Commons, PO Box 1866, Mountain View, CA 94042, USA.