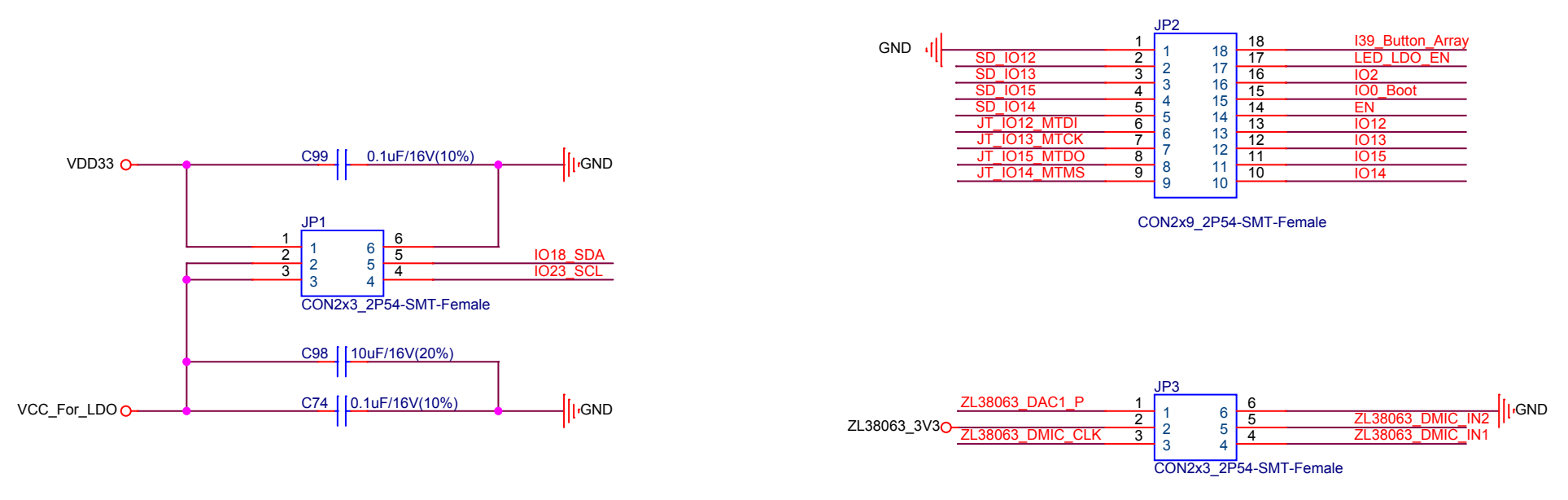
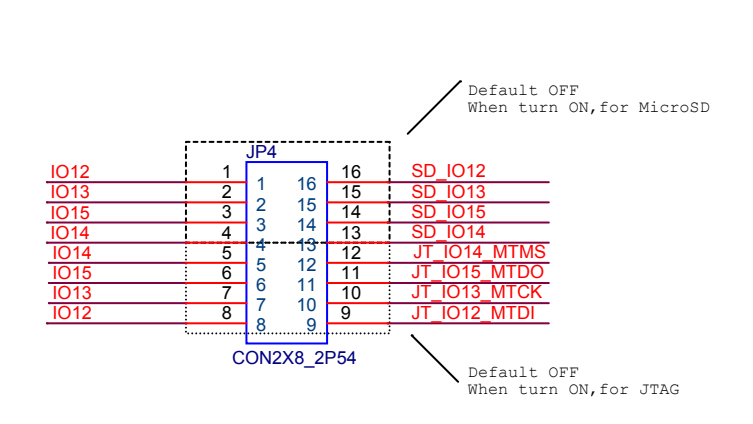


This is the subboard of MicroSemiDSP development board. This board mainly contains LEDs display and Key-press function, and also including Reset button and Boot button.

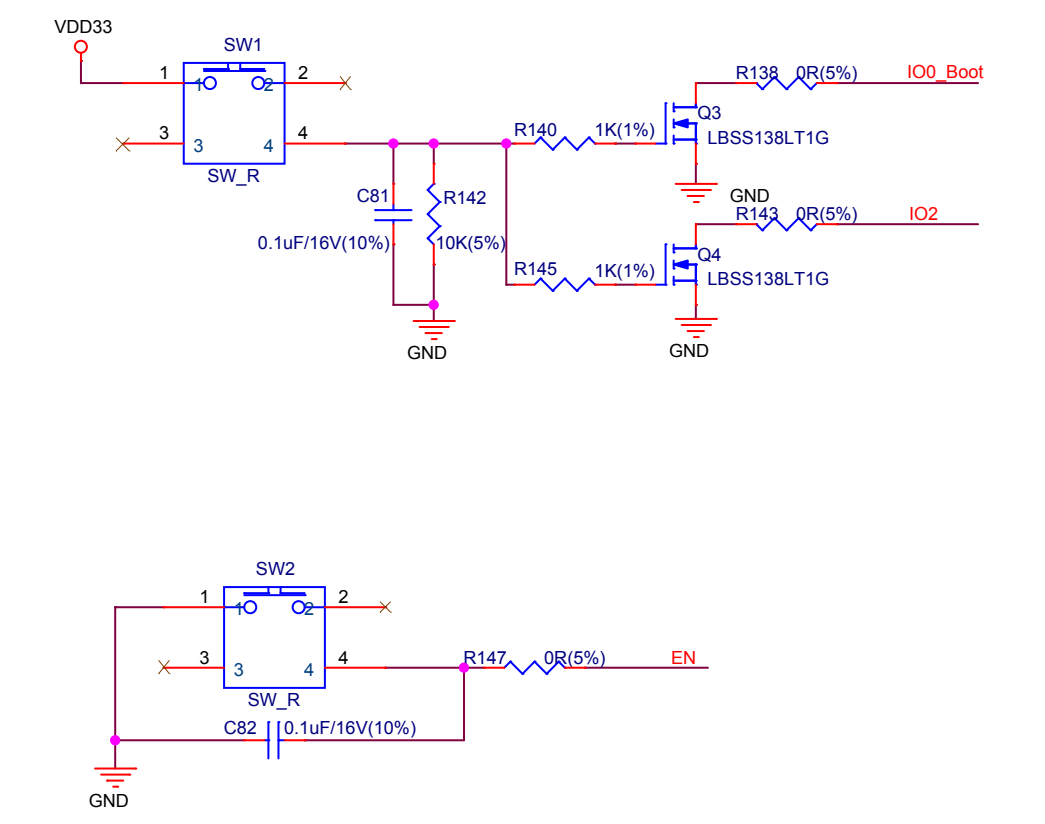
Connectors:



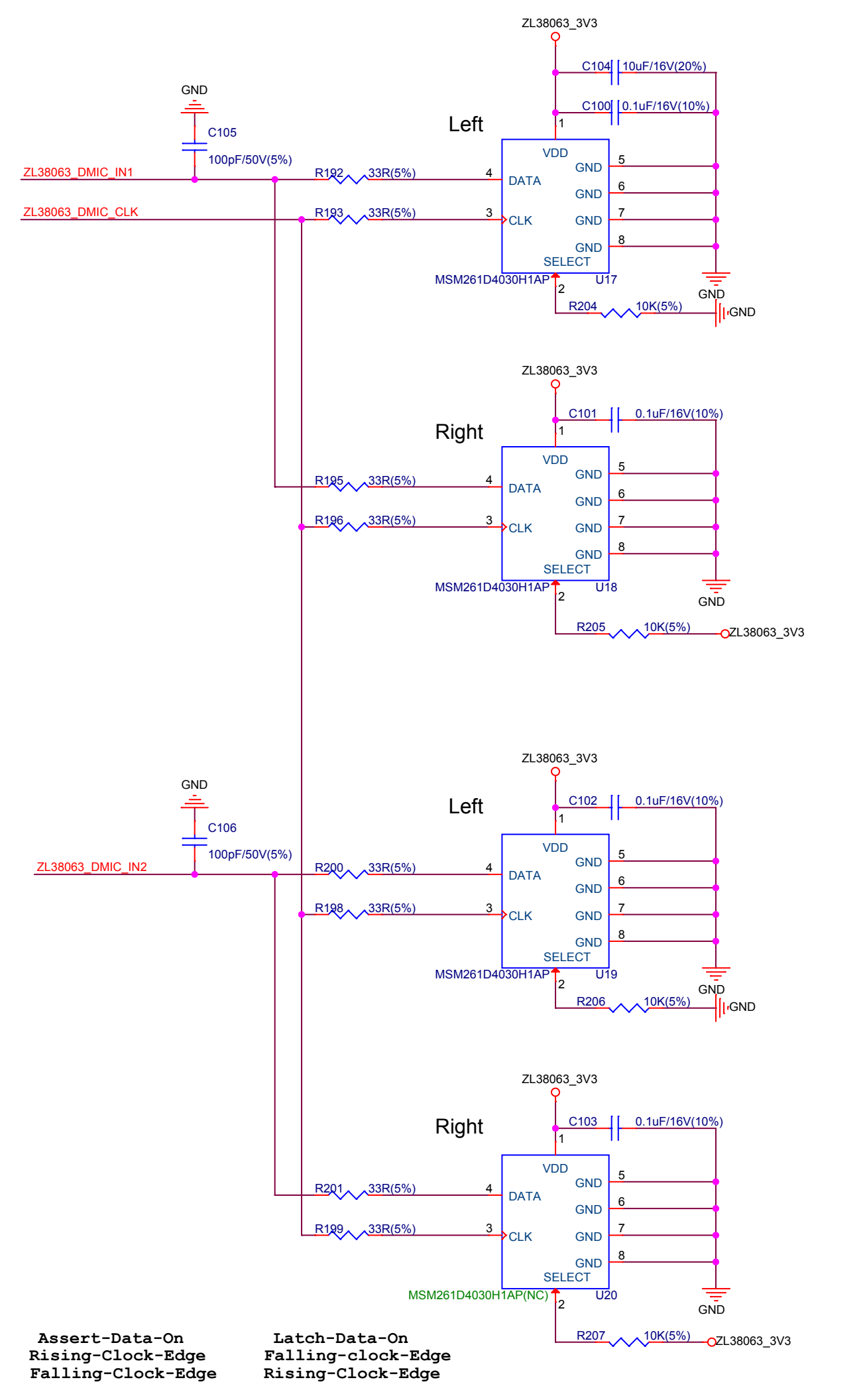
Switch Keys:



Reset/Download Button:

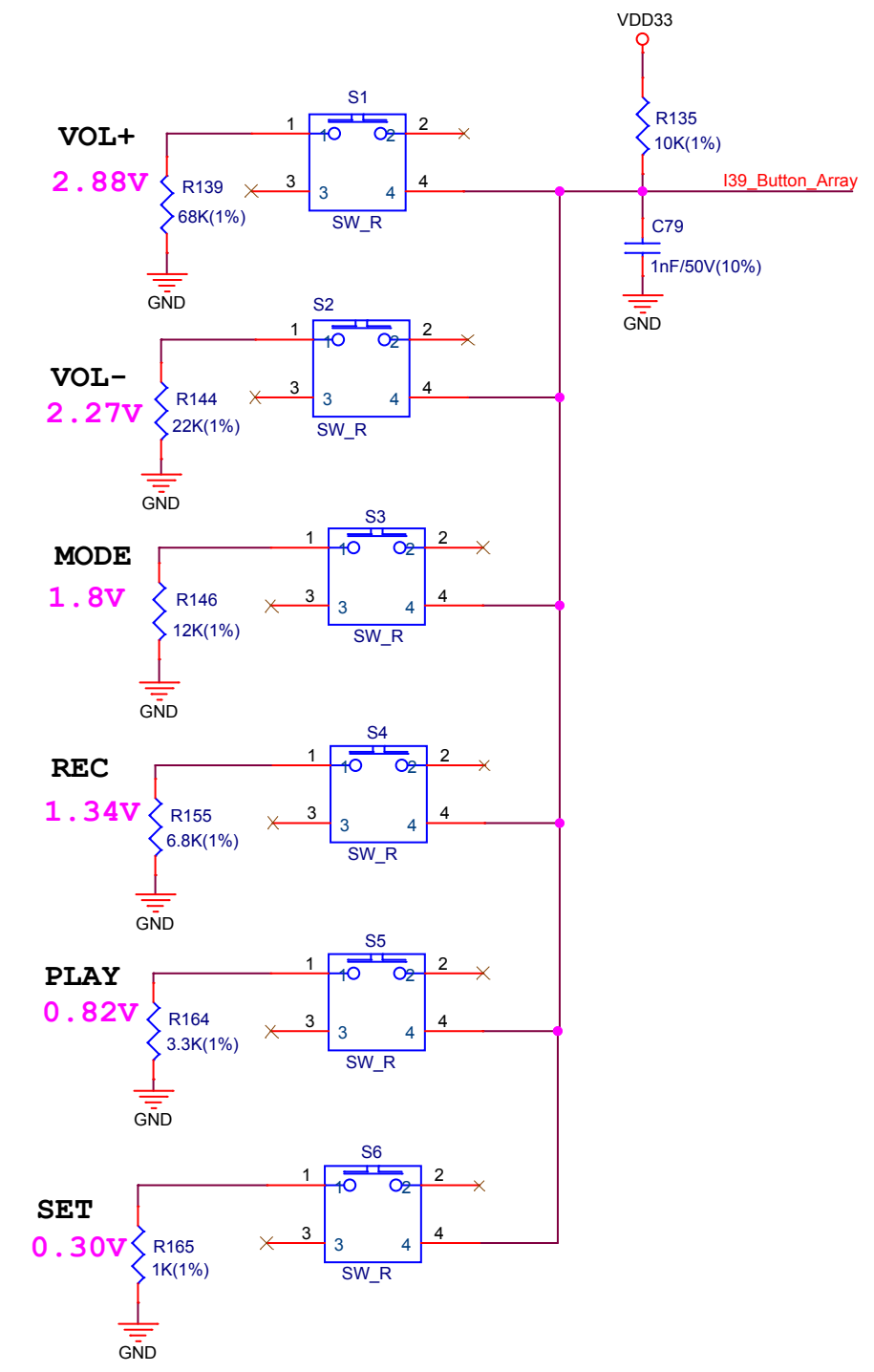


MICs:

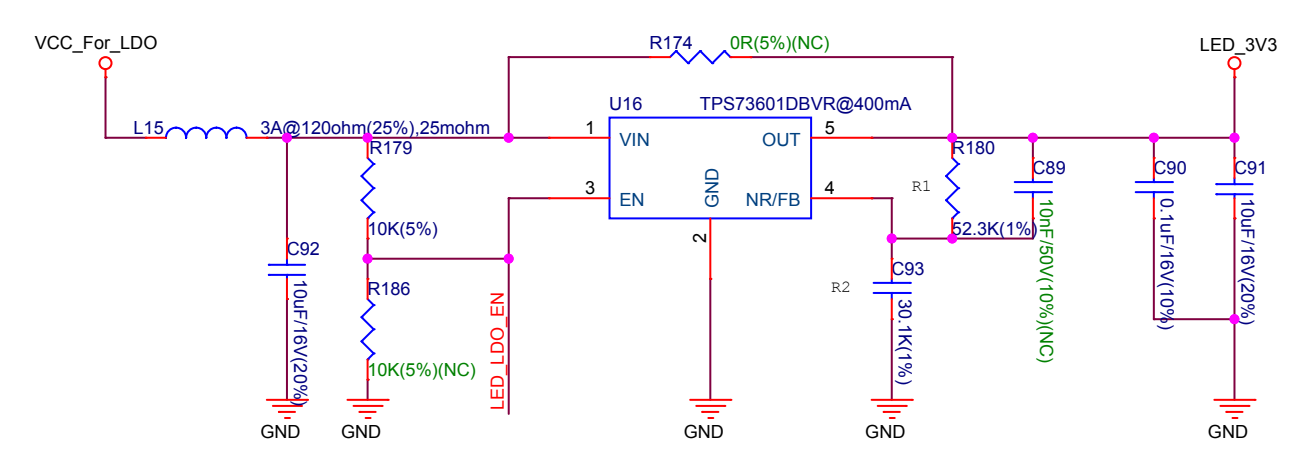


I/R Mic Assert-Data-On Latch-Data-On
VDD High Rising-Clock-Edge Falling-clock-Edge
GND Low Falling-Clock-Edge Rising-Clock-Edge

6-Physical-Buttons:



Power for LED Driver:



Notes:
1. $V_{out} = 1.204 * (1 + R1/R2) = 3.296V$;
R1=52.3K, R2=30.1K are recommended for better performance.
2. RT9043GB from Richtek for second source.

LED Drivers:

