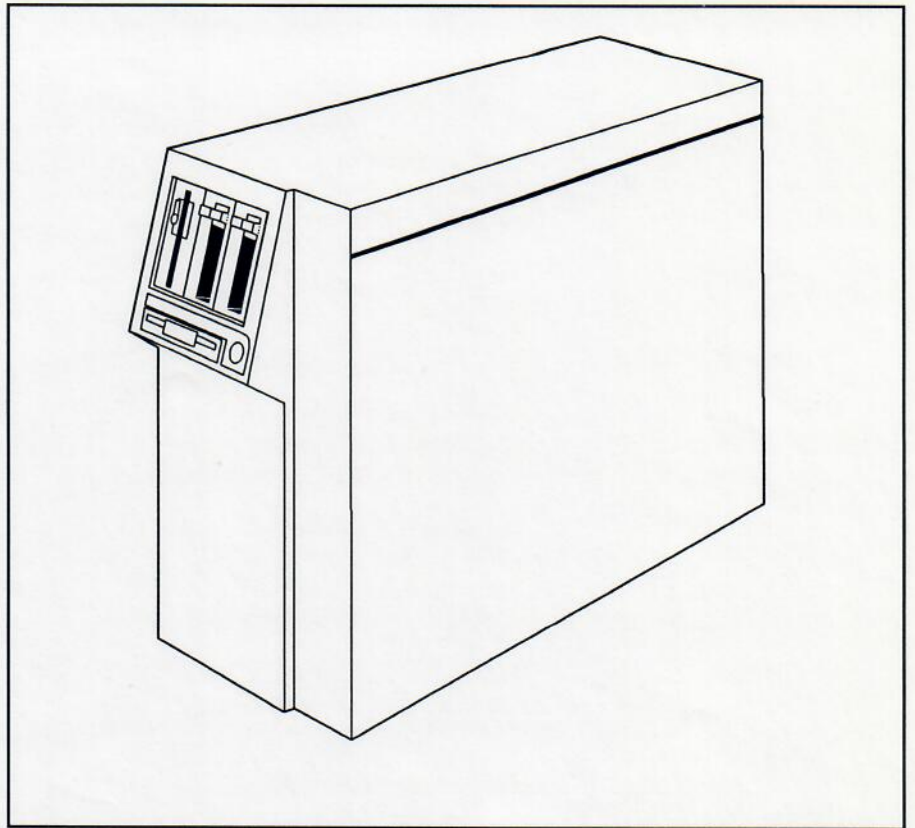


Configuration DIAB2470



Basic system

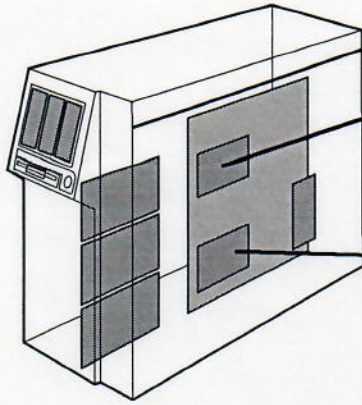
The basic system comprises:

- Mother board with
 - Two M68040 processors (with floating point processors)
 - Three SCSI ports
 - Two V24 asynchronous channels
- Power supply
- 3.5" diskette drive
- Expansion rack with four VME and two DataBoard slots
- D-NIX operating system for an unlimited number of users
- D-MENU, menu system and UNIX utilities

Use this configuration guide to select primary memory, mass storage, backup facilities and ports as required by the application.

DIAB DATA
A Bull Company

System expansion

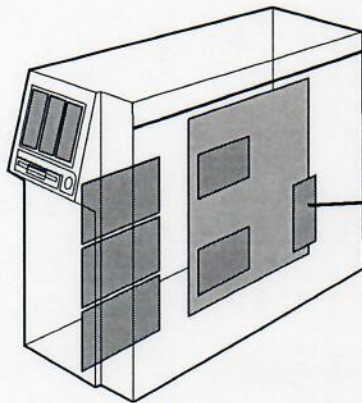


CPU expansion

The computer may be equipped with two more CPU planes in order to increase performance.

Memory expansion

The computer shall be equipped with sufficient primary memory. Memory modules are installed directly on the mother board.



Serial ports

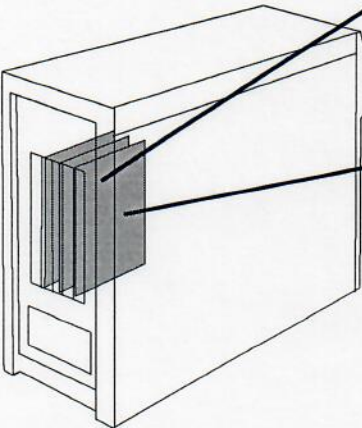
The number of asynchronous channels can be expanded with terminal boards and/or terminal concentrators.

Terminal boards

The terminal board 4xV.24 is controlled directly by the main processor and handles four channels. The terminal board is installed directly on the mother board.

Terminal concentrators

The terminal concentrator 10xV.24 has ten channels and an onboard processor. The terminal concentrator thus does not load the main processor. The terminal concentrator occupies one VME slot.

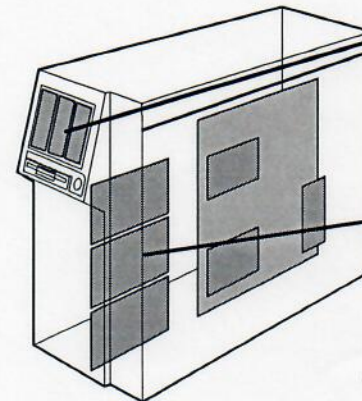


Expansion via VME

The computer has a VME rack for flexible expansion of communication and network ports (ComC/KOM-KIT II), ports for terminals (see above) and for connection of a 1/2" tape station. The VME boards are installed from the back of the computer.

Backup units

Backup units are available in different versions, streamers, WORM, DAT, etc. The units are installed at the front of the computer.



Mass storage units

The computer should always be equipped with sufficient mass storage. Disk capacity can be expanded in steps. The hard disks are installed inside the computer. Further mass storage and backup units can be housed in two separate SCSI-CABINETS.

UPS

For maximum operating reliability, the computer should be operated with a UPS and power fail indicator.

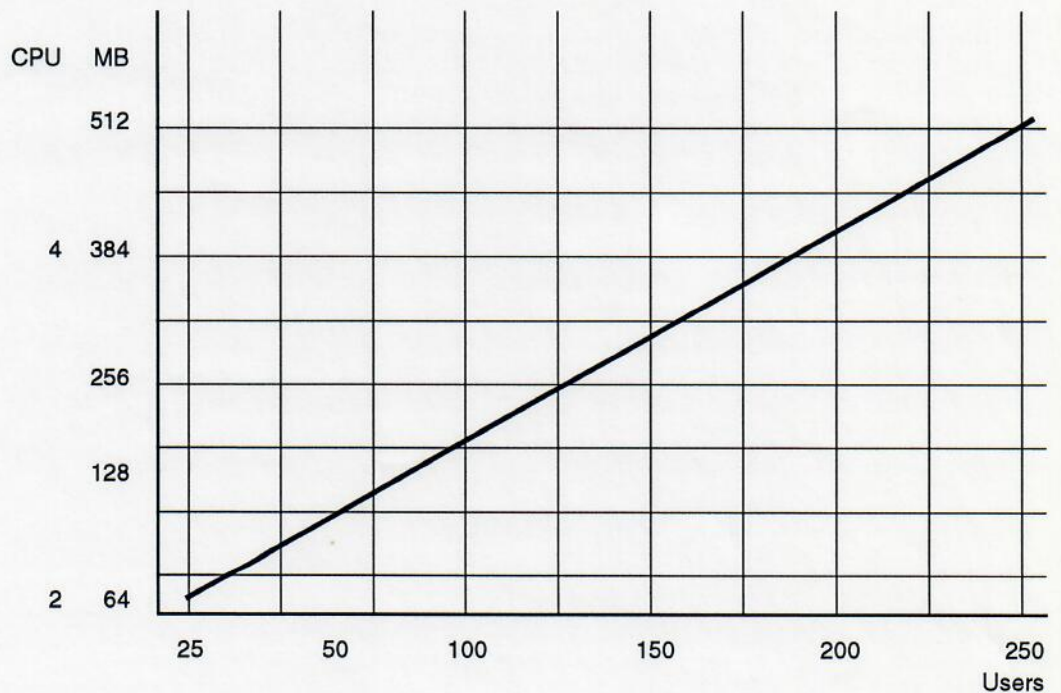
Min/max configuration

The computer may be configured within these limits. However, certain units can not be combined freely, see page 4.

Parameter	Min configuration	Max configuration
CPU	2	4
Primary memory	32 MB	512 MB (1024 MB)
Serial ports	2	40
Com ports	0	4
Network ports	1	2
Mass storage, internal	500 MB	6 000 MB
(incl. SCSI-CABINETS	500 MB	18 000 MB)
Backup units	0	3 600 MB

Recommendations

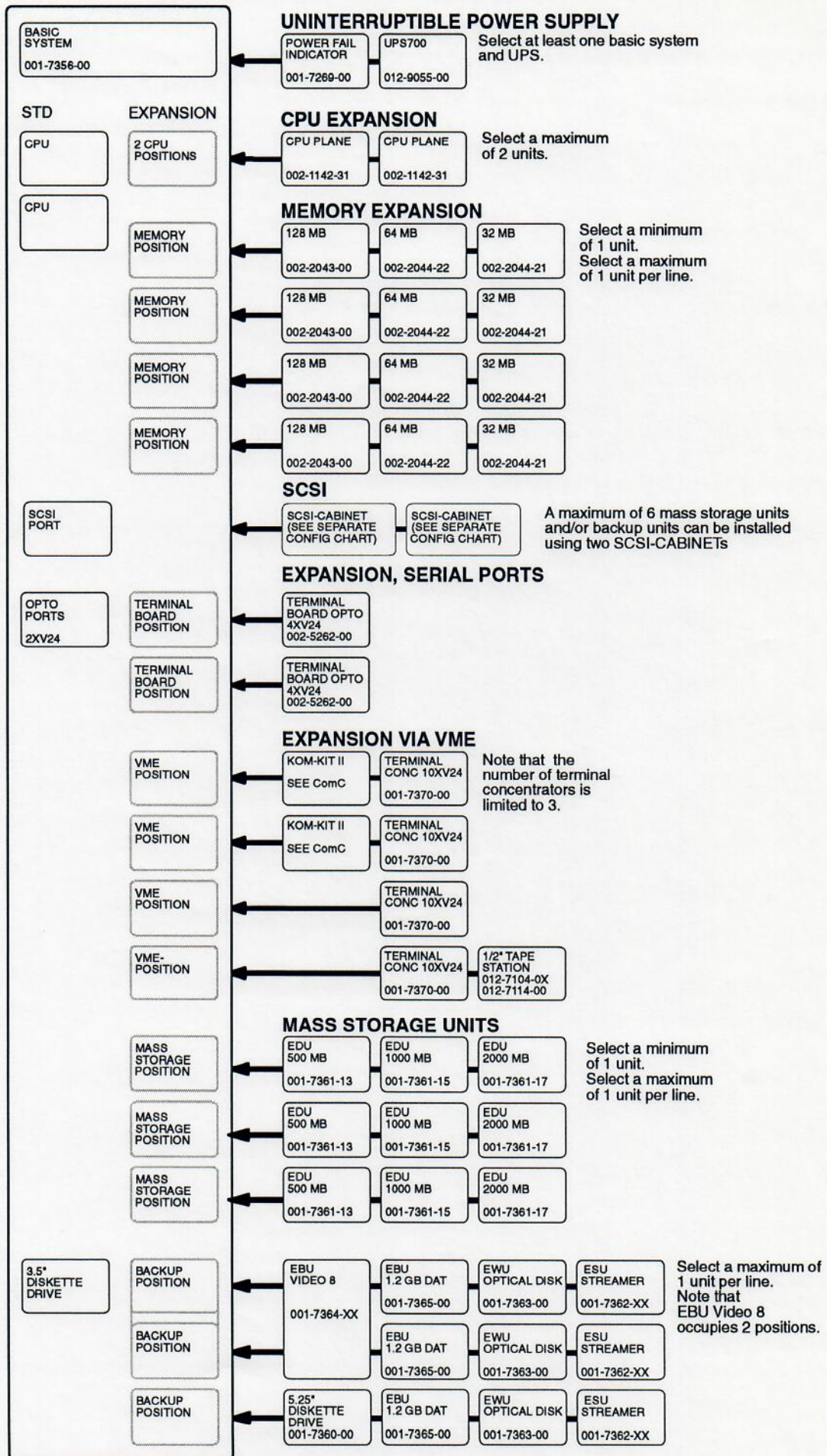
The graph below shows how the computer may be expanded with primary memory in different applications. The expansion, however, depends very much upon the number and types of users as well as applications running on the system.



About the detail configuration...

Use the matrix on page 4 to configure the system. Cross out the units required in the actual system. At the same time, cross out expansion positions used. Please note the remarks regarding minimum numbers and the remarks regarding certain limitations in numbers and combinations.

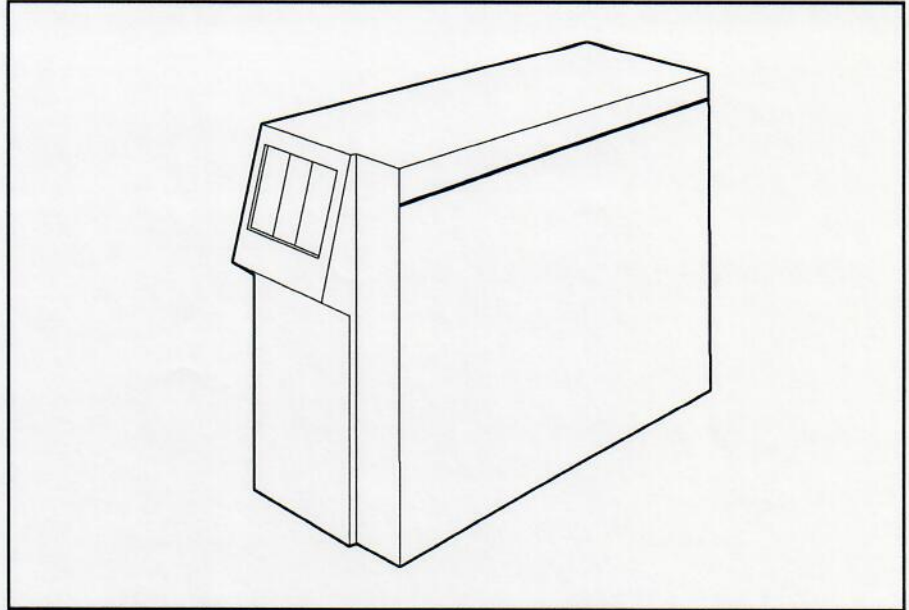
Detail configuration



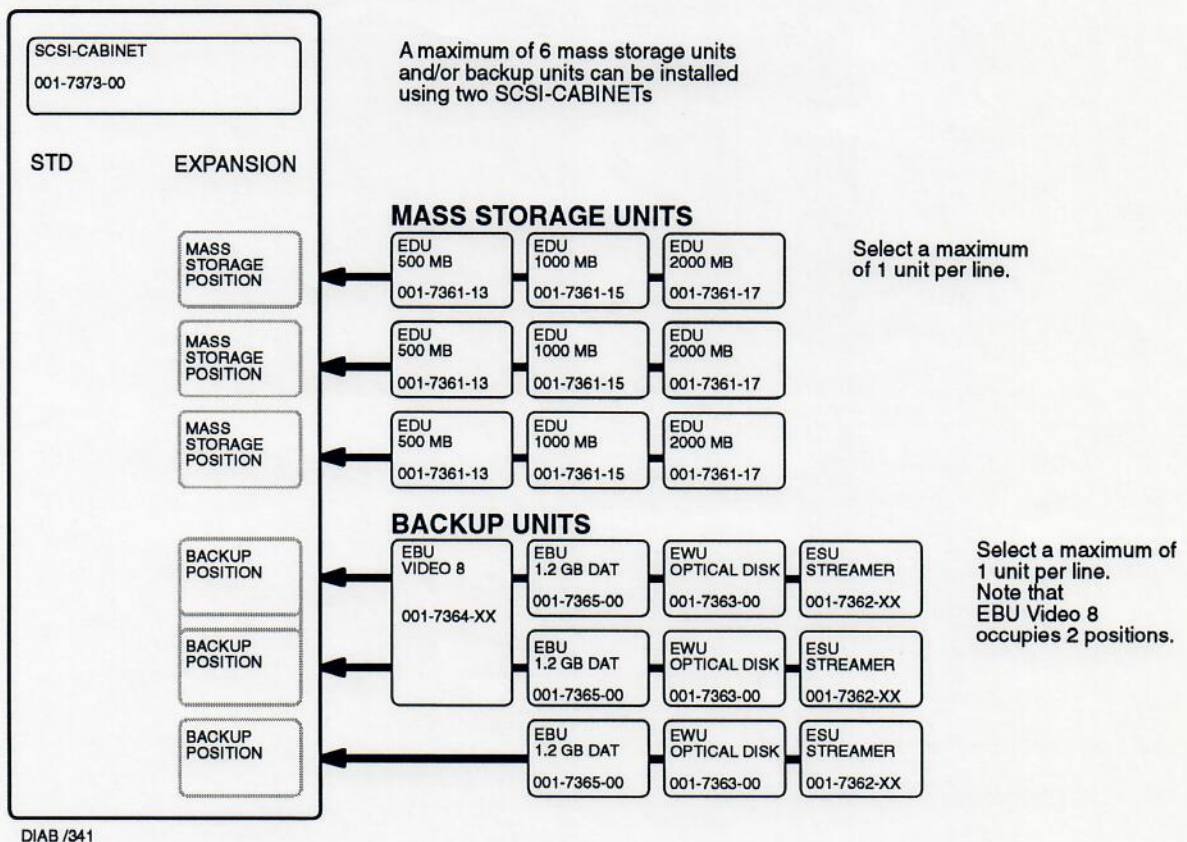
Configuration SCSI-CABINET

The unit comprises:

- three slots for mass storage
- three slots for backup units
- power supply



Detail configuration



DIAB DATA
A Bull Company