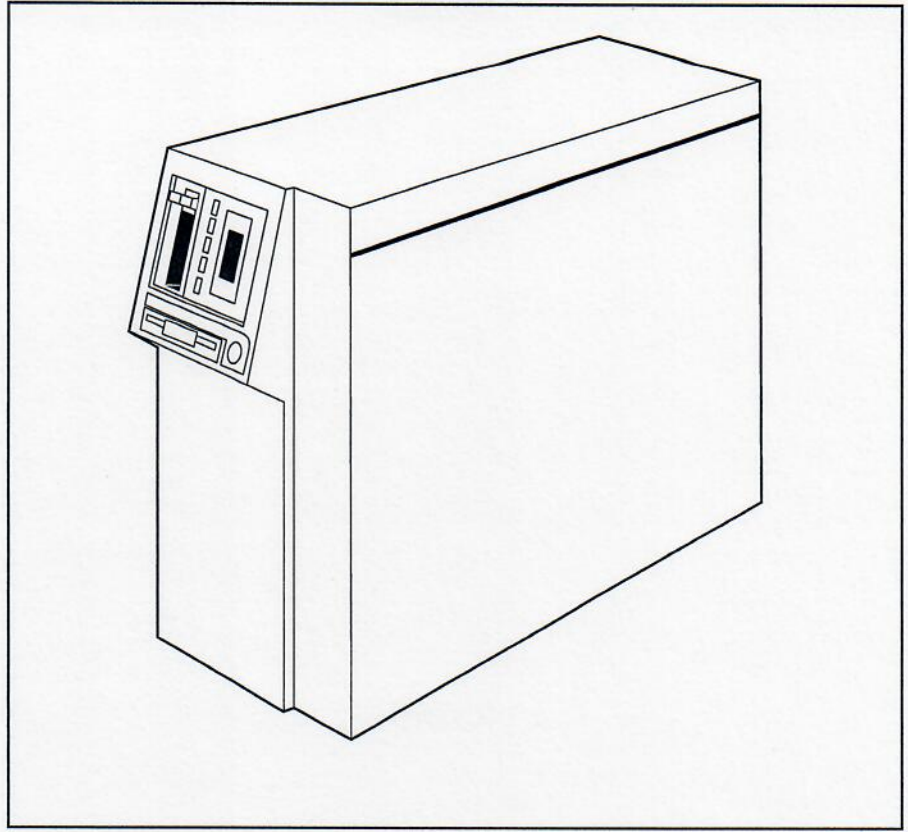


# Configuration DIAB2420



## Basic system

The basic system comprises:

- Mother board with
  - Processor and floating point processor M68040
  - One SCSI port
  - Four V.24 asynchronous channels
- Power supply
- 3.5" diskette drive
- D-NIX operating system for an unlimited number of users
- D-MENU, menu system och UNIX utilities

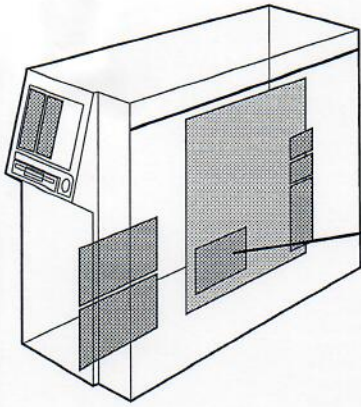
Use this configuration guide to select primary memory, mass storage, backup facilities and ports as required by the application.

---

# DIAB DATA

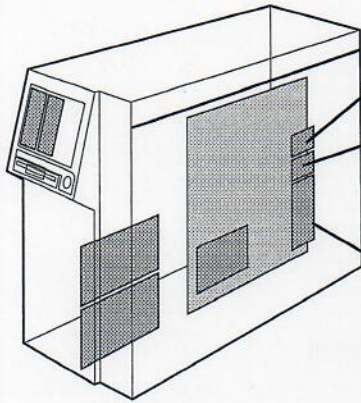
Diab Data AB. Box 2029, S-183 02 Täby, Sweden. Tel +46 8 638 94 00. Fax +46 8 792 05 61.  
Diab Data AS. Postboks 157, Manglerud, N-0612 Oslo 6, Norway. Tel +47 2 68 82 30. Fax +47 2 68 50 12.  
Diab Data Inc., 323 Vintage Park Drive, Foster City, CA 94404, USA. Tel +1 415 571 -1700. Fax +1 415 571-9068.

# System expansion



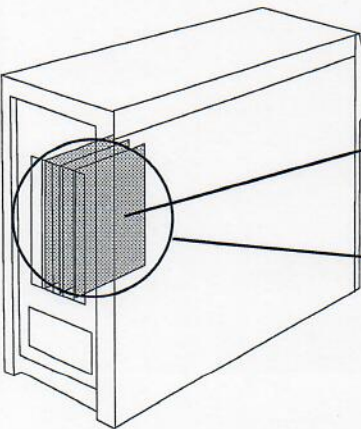
## Memory expansion

The computer shall be equipped with further primary memory. Memory modules are installed directly on the mother board.



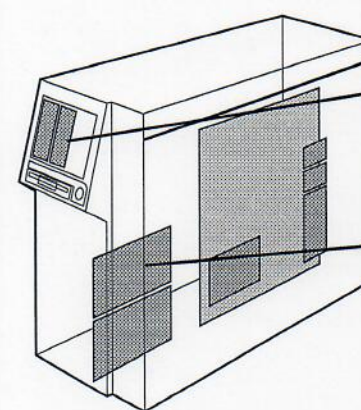
## SCSI expansion

The computer may be equipped with an extra SCSI port to accept external hard disks and backup units.



## Ethernet expansion

The computer may be equipped with an internal Ethernet port, see Configuration guide ComC.

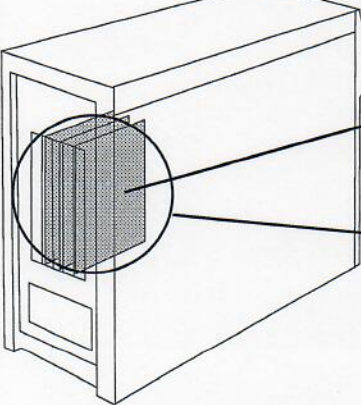


## Serial ports

The number of asynchronous channels can be expanded with terminal boards and/or terminal concentrators.

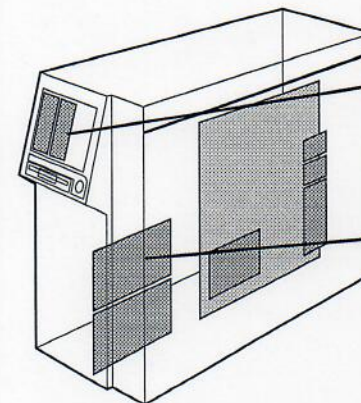
## Terminal boards

The terminal board 4xV.24 is controlled directly by the main processor and handles four channels. The terminal board is installed directly on the mother board.



## Terminal concentrators

The terminal concentrator 10xV.24 has ten channels and an onboard processor. The terminal concentrator thus does not load the main processor. The terminal concentrator occupies one VME slot.



## Expansion via VME

The computer may be equipped with a VME rack for flexible expansion of communication and network ports (ComC/KOM-KIT II), ports for terminals (see above) and for connection of a 1/2" tape station. The VME boards are installed from the back of the computer.

## Backup units

Backup units are available in different versions, streamers, WORM, DAT, etc. The units are installed at the front of the computer.

## Mass storage units

The computer should always be equipped with sufficient mass storage. Disk capacity can be expanded in steps. The hard disks are installed inside the computer.

## UPS

For maximum operating reliability, the computer should be operated with a UPS and power fail indicator.



## Min/max configuration

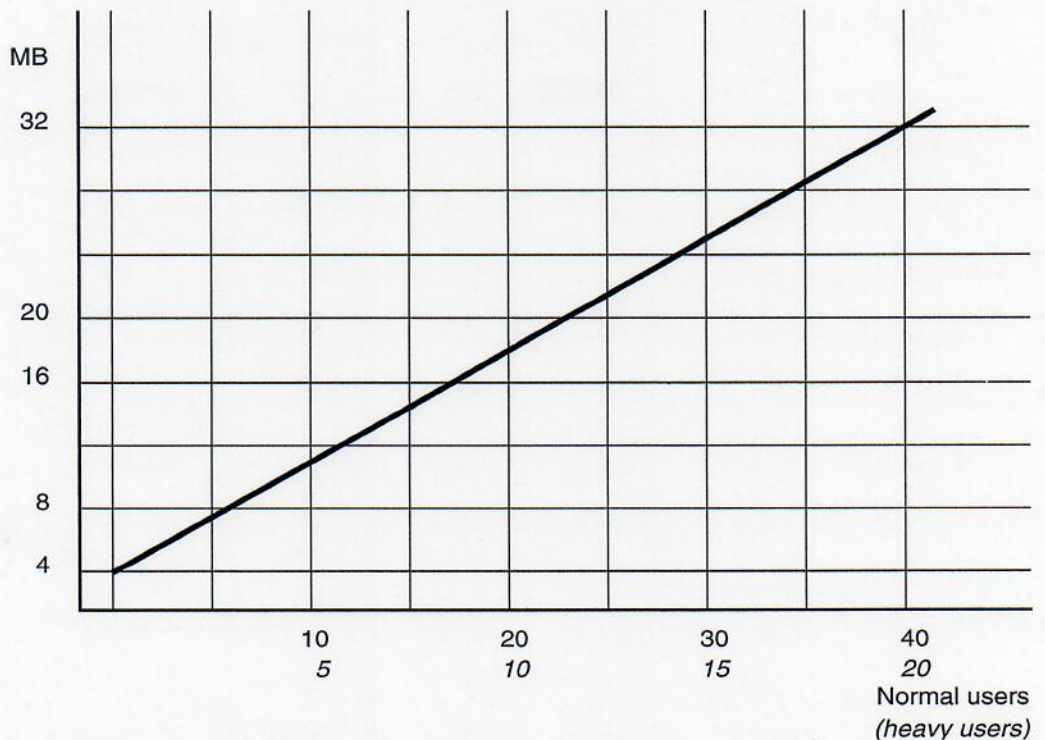
The computer may be configured within these limits. However, certain units can not be combined freely, see page 4.

Parameter	Min configuration	Max configuration
Primary memory	4 MB	32 MB
Serial ports	4	42
Comm ports	0	8
Network ports	0	4
Mass storage	100 MB	2 000 MB
Backup units	0	2 400 MB

## Recommendations

The graph below shows how the computer may be expanded with primary memory in different applications. The expansion, however, depends very much upon the number and types of users as well as applications running on the system.

A normal user is defined as an office automation package user while a heavy user is defined as a 4GL or database user.



## About the detail configuration...

Use the matrix on page 4 to configure the system. Cross out the units required in the actual system. At the same time, cross out expansion positions used. Please note the remarks regarding minimum numbers and the remarks regarding certain limitations in numbers and combinations.

# Detail configuration

