



ACMD 4X2

AUTOCAR MEDIUM DUTY - CLASS 8

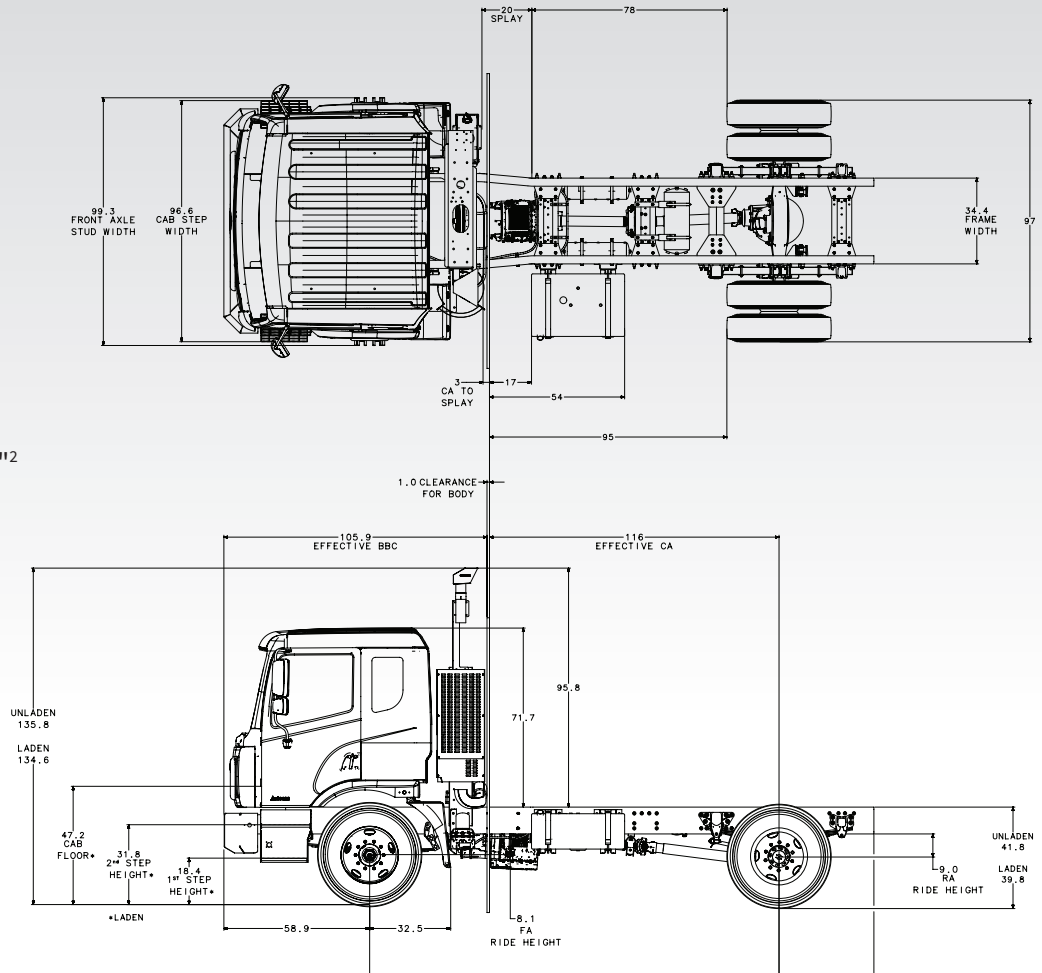
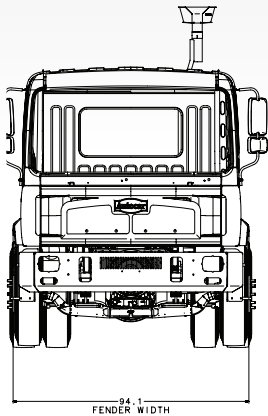
ACMD 4X2 CLASS 8

Representative Medium Duty Specifications. Your truck will be custom-engineered for your application

ALL DIMENSIONS IN INCHES

CAB INTERNAL DIMENSIONS

- Foot well to Roof..... 60.77"
- Windscreen to Rear of Cab....68.81"
- Door to Door (interior)..... 71.32"
- Volume behind seats.....854.69"²



CONFIGURATION	CL8 BASE MODEL/ STANDARDS
Steering	Left hand drive std. , Right hand drive & Dual drive option
BBC	105.9" With Vertical System, 100.0" With Horizontal System
FOH / Bumper to C/L Front Axle	57.1"
CA / CT	Wheelbase - 48" Diesel / - 48" CNG
FAWR, (Min.)	12,000 lbs.
RAWR, (Min.)	23,000 lbs.
GVWR, (Min.)	35,000 lbs.
Wheelbase	164"
* Est. Base Model Front Axle Weights	8104 lbs.
* Est. Base Model Rear Axle Weights	3847 lbs.
* Est. Base Model Chassis Weights Total	11,951 lbs.
	* Weight will vary w/wheelbase, RFOH and optional equipment specified

CL8 CHASSIS SPECIFICATIONS	
Construction	Huck bolted, "C" - channel ladder
Wheelbase Min. - Max.	132" - 247"
AF / RFOH Length Min. - Max.	21.85" - 120"
Frame Rail Dimension	.375" x 3.25" x 10.75", (120KSI)
RBM	2.68M
SM	17.75
Formed .25" x 9.85" Channel Liner	Optional
Front Tow Loops	2 recessed behind front bumper
Fuel Tank Size	Steel/Aluminum 50, 75, 100, 150 or 5 gallon poly-temporary
Location, Fuel Tank(s)	Temporary fuel tank (std.) or LH or RH frame rail
Fuel/Water Separator - Heated (Opt)	Fleetguard FS series / heated (optional)

CL8 4X2 DRIVE SPECIFICATIONS	
Engine - Diesel	Cummins B6.7L 200hp / US EPA 21
Available ISB Diesel HP Ratings	200, 220, 240 and 260 hp
Available ISL Diesel HP Ratings	260, 270, 300, 330, 350 and 360 hp
DEF Tank Capacity / Location	6.25 or 12.5 Gallon, LH behind front fender/RH over front fender
Engine - CNG	Cummins-Westport L9N / US EPA 18
Available CNG / LNG HP Ratings	250, 260 and 300 hp
Air Compressor	Cummins 18.7 CFM
Air Dryer	Wabco w/heat
Starter	Delco 31MT, Denso or Delco 12V w/OCF
Alternator	Delco 12V 160 amp or 200 amp
Batteries (2) 12V	1500 / 1900 / 2000 CCA, Group 31 ECL M/F
AGM Batteries (2) 12V	1650 / 1800 / 2300 CCA, Group 31 ECL M/F
Transmission	Allison 2500RDS or 3000RDS or 3500RDS
Number of Speeds	1 Reverse, 6 forward
Transmissions Shifter	Push button, shift pad - LH or center
Driveshafts	Dana-Spicer 1710HD or 1760HD, half round yoke
Radiator Square Inch Core	725 square inch down flow
Charge Air Cooler	Welded, aluminum construction
Air Cleaner Size	13" single stage, safety-filter optional
Exhaust Outlet Location	LH, street side vertical / RH Horizontal curb side

CL8 FRONT AND REAR AXLES	
Front Axles	Dana E-1202W
Max. Cramp Angle - Steer	47 Deg. +/-
Steel Disc Wheels - Hub Piloted	Qty. 2; 22.5" x 8.25", 5 hand hole
Tire Size	11R22.5(G)
Front Brakes (Q Plus)	16.5" x 5" or 16.5" x 6"
Front Suspension (Spring Flatleaf)	12,500 lbs.
Rear Axles	RS24-160
Axle Speeds	1 or 2 Speed (optional)
Steel Disc Wheels - Hub Piloted	4; 22.5" x 8.25", 5 hand hole
Tire Size	11R22.5(G)
Rear Brakes	16.5" x 7" P Cast Shoe, Q plus or Q plus HD
Rear Suspension - Steel Flat Leaf	HTS-21, 23, 26 or 31
Optional / Rear Suspension - Air Ride	HAS-21, 23 or PAX262
Brake System - Chassis	FMVSS 121, Dual air brake
ABS Systems	Wabco, 4S/4M
ATC Systems	ATC optional

Note: Various Options are Available, please consult with our Autocar Sales Team.

CL8 CAB SPECIFICATIONS	
Construction	Welded & stamped steel construction, E-coated prior to painting
Windshield	2,785 square inch, laminated & curved
Cab Glass	Tempered safety, tinted (VLT 75%)
Windows, Cab Door	Power, roll up - tinted (VLT 80%)
Cab Floor	Wear resistant mat with foam back with HD floor mat, insulated backing
Cab Tilt System	Hydraulic power assist, auto locking
Steering System	Integral hydraulic power assist
Steering Column	Tilt/Telescoping w/integral turn signal
Steering Wheel	16"/18" Diameter, 2 spoke, vinyl wrapped
Cab Mirrors - West Coast Type	4 - Chrome or Black housing, 1 large flat and 1 lower rectangular convex, each side
Seating Configuration	2 or 3 Person (Optional)
Seat - Driver / LH	Sears / ISRI - high back, air ride w/arm rest and lumbar support
Seat - Passenger / RH	Sears / ISRI - high back, air ride w/arm rest and lumbar support
Seat Belts	3 Point, over shoulder and lap
Air Conditioning, Cabin	Standard, integral HVAC in-dash
HVAC System	Integral in-dash type, high capacity -Push button - soft touch automatic climate and manual temperature control, positive PSI type system with quick defrost mode. Fresh air and recirculating type with variable 5 speed fan.
Instrumentation	Large predominant backlit speedometer on center, tachometer & dual air PSI to each side. Smaller less prominent engine oil psi, coolant temp, voltmeter, fuel gauge, warning lamps & Mini Driver Information Center (MDIC) all in row, that includes: clock, odometer, tripmeter, engine hour meter and trip engine hour meter.
Front Bumper	Formed steel or HD formed steel, w/integral headlights
Headlights	Halogen or LED large single rectangular type
ICC Marker and Turn	Amber incandescent or LED turn and marker
DOT Certification	FMVSS standard, CMVSS optional
Paint, Cab (White - Std.)	Dupont, (DPSS) polyurethane enamel
Paint, Front Bumper	Same color as cab or custom
Paint, Chassis	Semi-gloss black, polyurethane
Paint, Disk, Wheels	White, powder coated

The Autocar name, DC, Always Up, and other logos, tradenames, and designations are trademarks of Autocar, LLC and its affiliates.

Autocar reserves the right to change, update, or amend these specifications at any time without notice. Consult your Autocar Representative.

ACMD 4X2

AUTOCAR MEDIUM DUTY - CLASS 8

REAR DRIVE AXLE / SUSPENSION SELECTION					
Rear Axles	Max. RAWR	Brake Size	Spring Suspension	Air Suspension (Opt.)	
Dana 21060S	21,000 lbs	16.5" X 7" Q Plus	HTS-21	HAS-21	
Dana 21065T (2-Speed)					
Dana S21-170E					
Meritor RS24-160	21,000 lbs or 23,000 lbs.		HTS-21 / HTS-23	HAS-21 / HAS-23	
Dana S23-190E	23,000 lbs.				
Dana 23082T (2-Speed)	26,000 lbs.		16" X 7" P Cast	HTS-23	HAS-23
Meritor RS26-185		HTS-26		PAX-EX 262	
Dana S30-190		30,000 lbs.		HTS-31 / Reyco-31	
Dana S30-190 Wide Track					

MAX. EST. TOP SPEED (MPH)	65	65	65	65	65	55	65	65	65	65	65	65	55	L9 & 9N
	75	75	75	75	75	65	75	75	75	75	75	75	65	B DIESEL
Rear Axles	5.38	5.57	6.14	6.43	6.17	7.17	5.43 / 7.39	5.43 / 8.40	6.17 / 7.39	6.17 / 8.40	6.17 / 8.42	6.67 / 9.08	7.17 / 9.77	
Dana 21060S					X	X								X
Dana 21065T (2-Speed)											X		X	X
Dana S21-170E					X	X								X
Meritor RS24-160	X		X	X		X								X
Dana S23-190E			X			X								X
Dana 23082T (2-Speed)							X	X	X	X		X		X
Meritor RS26-185			X											X
Dana S30-190		X	X			X								X
Dana S30-190 Wide Track		X	X			X								X

ENGINE MODELS							
US EPA 2021 - DIESEL, US EPA 2018 - GAS						TOC REQUIREMENTS	
Engine Model	MAX HP (KW)	MAX Torq (Nm)	Governed Speed	3000RDS	3500RDS	3000RDS	3500RDS
B6.7 200 HP	200 (149)	520 (705) @ 1600	2600 RPM	X	X		
B6.7 220 HP	220 (164)	520 (705) @ 1600		X	X	Yes	Yes
B6.7 240 HP	240 (179)	560 (759) @ 1600		X	X	Yes	Yes
B6.7 260 HP	260 (194)	660 (896) @ 1600		X	X	Yes	Yes
L9N 250 HP	250 (186)	730 (990) @ 1600	2200 RPM	X	X	Yes	Yes
L9N 260 HP	260 (194)	660 (895) @ 1300		X	X	Yes	Yes
L9N 300 HP	300 (224)	860 (1166) @ 1300		X	X	Yes	Yes
L9 260 HP	260 (194)	720 (977) @ 1300		X	X	Yes	Yes
L9 270 HP	270 (201)	800 (1086) @ 1300		X	X	Yes	Yes
L9 300 HP	300 (224)	860 (1167) @ 1300		X	X	Yes	Yes
L9 330 HP	330 (246)	1000 (1357) @ 1400		X	X	Yes	Yes
L9 350 HP	350 (261)	1000 (1357) @ 1400		X	X	Yes	Yes
L9 360 HP	360 (261)	1150 (1561) @ 1400		X	X	Yes	Yes

FRONT AXLES						
Models	MAX FAWR	Steering System	Brake Size	Recommended Tire Size (min)	Disc Wheel Size	Tire PSI
Dana E-1202W	12,000 lbs.	Dual / LH / RH	16.5" x 5" Q Plus or 16.5" x 6" Q Plus	11R22.5(G) 14 Ply	22.5" x 8.25"	105
Dana E-1322W	13,200 lbs			11R22.5(H) 16 Ply		
Dana E-1462W	14,600 lbs.	LH / RH Only		12R22.5(H) 16 Ply	22.5" x 9.00"	120
Meritor MFS-14		Dual Only				
Meritor MFS-16	16,000 lbs.	Dual / LH / RH	16.5" x 6" Q Plus	315/80R22.5(J) 18 Ply		
Meritor MFS-18	18,000 lbs.	Dual / LH / RH	16.5" x 6" Q Plus	315/80R22.5(J) 18 Ply		