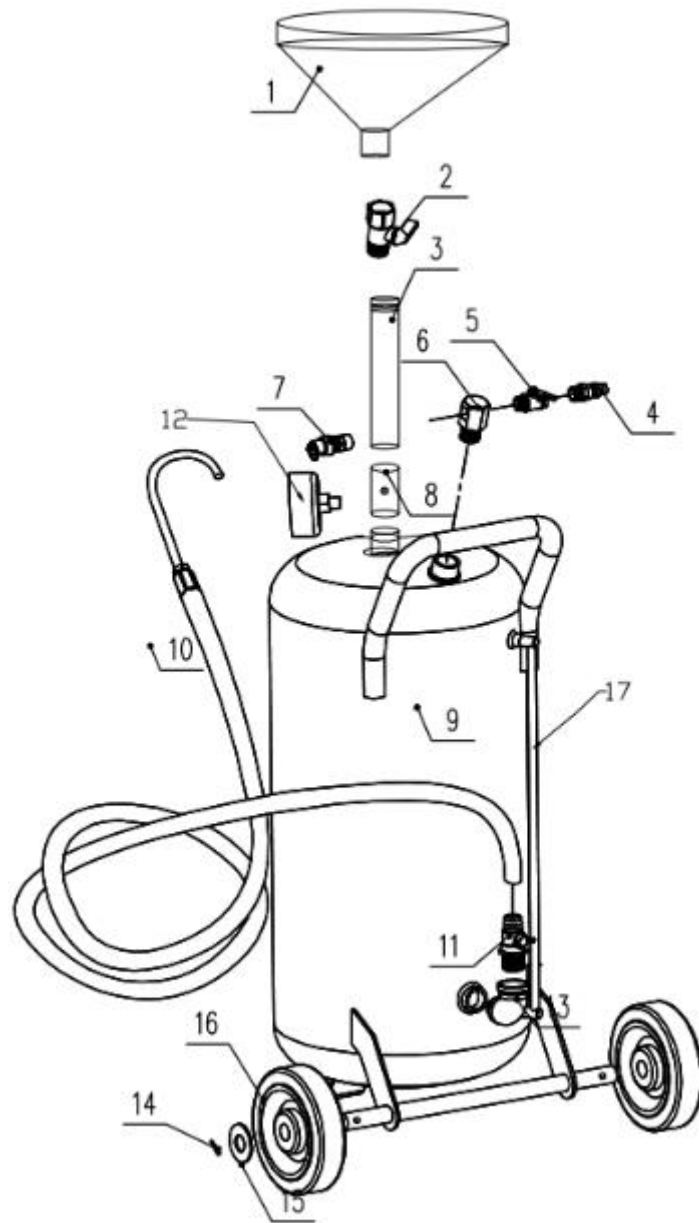


INSTRUCTION FOR OIL DRAIN TANK /OIL CHANGER



NO.	Part name	Quantity
1	Funnel	1pcs
2	Ball valve	1pcs
3	Pole of funnel	1pcs
4	Quick connector	1pcs
5	Ball valve	1pcs
6	Tee joint	1pcs
7	Safety valve	1pcs
8	Aluminium pipe connector	1pcs

9	Tank	1pcs
10	Oil drain tube	1pcs
11	Ball valve	1pcs
12	Screw	1pcs
13	Water pipe elbow	1pcs
14	Plug	2pcs
15	Spacer	2pcs
16	Wheel	2pcs
17	Oil level pipe	1pcs

- **Technical Parameters**

Vacuum degree: negative 0-0.8PA Working pressure: 1-3kg

Capacity: 80L Medium: oil, engine oil, gear oil

- **Operating Instructions**

Oil drain tank for collecting all kinds of trashy oil from auto, agriculture mechanism, etc.

- 1.Let the auto rise to up,then push oil drain tank under the automobile engine;and remove the oil discharge screw
- 2.Open the oil valve of oil basin,at the same time open the inlet valve at the top of the oil tank;then waste oil into the storage tank from the oil basin.

Waste oil discharged from the storage tank.

- 1.Open the ball valve that lead to the hook,and use the hook to hook the bin
- 2.Use the connector connected to compressed air quickly at the top of the equipment;close the oil valve, open compressed air switch(Note:when the safety valve begin to exhaust,then the compressed air switch can be closed); then the waste oil is discharged from the hook.

- **Maintenance Instructions**

- 1)Regularly check whether the equipment has leakage phenomenon, if yes,it should be make a maintenance immediately ;
- 2)Always check whether the hose connection is sealed;
- 3)In order to avoid corrosion , the waste oil in storage tank should not be stored for a long time;
- 4)The equipment surface should be wiped clean commonly by towel or cloth, keep equipment clean, after use it, please put it in the shade to avoid exposure to sunlight.

- **Warning**

- 1)After the training of qualified personnel can use the device;
- 2)Do not smoking near the equipment;