



BMD2412S

MICROWAVE DRAWER OVEN

USER MANUAL

SAVE THESE INSTRUCTIONS CAREFULLY

Read these instructions carefully before using your microwave oven, and keep it carefully.

If you follow the instructions, your oven will provide you with many years of good service.

Precautions To Avoid Possible Exposure To Excessive Microwave Energy

- (a) Do not attempt to operate this oven with the door open since operation can result in harmful exposure to microwave energy. It is important not to defeat or tamper with the safety interlocks.
- (b) Do not place any object between the oven front face and the door or allows soil or cleaner residue to accumulate on sealing surfaces.
- (c) Do not operate the oven if it is damaged. It is particular important that the oven door close properly and that there is no damage to the:
 - (1) DOOR (bent)
 - (2) HINGES AND LATCHES (broken or loosened)
 - (3) DOOR SEALS AND SEALING SURFACE
- (d) The oven should not be adjusted or repaired by anyone except properly qualified service personnel.

Specifications

Model	BMD2412S
Rated Voltage	120 V~ 60 Hz
Microwave Input	1500 W
Microwave Output	1000 W

Important Safety Instructions

When using electrical appliances basic safety precautions should be followed, including the following:

WARNING - To reduce the risk of burns, electric shock, fire, injury to persons or exposure to excessive microwave energy:

1. Read all instructions before using the appliance.

2. Read and follow the specific: "PRECAUTIONS TO AVOID POSSIBLE EXPOSURE TO EXCESSIVE MICROWAVE ENERGY" found on page 1.
3. This appliance must be grounded. Connect only to properly grounded outlet. See "GROUNDING INSTRUCTIONS" found on page 3.
4. Install or locate this appliance only in accordance with the provided installation instructions.
5. Some products such as whole eggs and sealed containers - for example, closed glass jars - are able to explode and should not be heated in this oven.
6. Use this appliance only for its intended use as described in the manual. Do not use corrosive chemicals or vapors in this appliance. This type of oven is specifically designed to heat, cook or dry food. It is not designed for industrial or laboratory use.
7. As with any appliance, close supervision is necessary when used by children.
8. Do not operate this appliance if it has a damaged cord or plug, if it is not working properly, or if it has been damaged or dropped.
9. This appliance should be serviced only by qualified service personnel. Contact nearest authorized service facility for examination, repair, or adjustment.
10. Do not cover or block any openings on the appliance.
11. Do not store this appliance outdoors. Do not use this product near water - for example, near a kitchen sink, in a wet basement, near a swimming pool, or similar location.
12. Do not immerse cord or plug in water.
13. Keep cord away from heated surface.
14. Do not let cord hang over edge of table or counter.
15. When cleaning surfaces of door and oven that comes together on closing the door, use only mild, nonabrasive soaps, or detergent applied with a sponge or soft cloth.
16. To reduce the risk of fire in the oven cavity:
 - 1). Do not overcook food. Carefully attend appliance when paper, plastic, or other combustible materials are placed inside the oven to facilitate cooking.
 - 2). Remove wire twist-ties from paper or plastic bag before placing bag in oven.
 - 3). If material inside of the oven ignite, keep oven door closed, turn oven off, and disconnect the power cord, or shut off power at the fuse or circuit breaker panel.
 - 4). Do not use the cavity for storage purposes. Do not leave paper

products, cooking utensils, or food in the cavity when not in use.

17. Liquids, such as water, coffee, or tea are able to be overheated beyond the boiling point without appearing to be boiling. Visible bubbling or boiling when the container is removed from the microwave oven is not always present.

THIS COULD RESULT IN VERY HOT LIQUID SUDDENLY BOILING OVER WHEN THE CONTAINER IS DISTURBED OR A UTENSIL IS INSERTED INTO THE LIQUID.

To reduce the risk of injury to persons:

- 1) Do not overheat the liquid.
 - 2) Stir the liquid both before and halfway through heating it.
 - 3) Do not use straight-sided containers with narrow necks.
 - 4) After heating, allow the container to stand in the microwave oven for a short time before removing the container.
 - 5) Use extreme care when inserting a spoon or other utensil into the container.
18. Do not operate any heating or cooking appliance beneath the appliance. (Exception: A microwave oven investigated for use above another heating appliance.)
19. Do not mount unit over or near any portion of heating or cooking appliance. (Exception: A microwave oven investigated for use above another heating appliance.)
20. Do not mount over sink.
21. Do not store anything directly on top of the appliance surface when the appliance is in operation.

Save These Instructions

Grounding Instructions

This appliance must be grounded. In the event of an electrical short circuit, grounding reduces the risk of electric shock by providing an escape wire for the electric current. This appliance is equipped with a cord having a grounding wire with a grounding plug. The plug must be plugged into an outlet that is properly installed and grounded.

WARNING - Improper use of the grounding can result in a risk of electric shock. Consult a qualified electrician or serviceman if the grounding

instructions are not completely understood, or if doubt exists as to whether the appliance is properly grounded. If it is necessary to use an extension cord, use only a 3-wire extension cord that has a 3-blade grounded plug, and 3-slot receptacle that will accept the plug on the appliance. The marked rating of the extension cord shall be equal to or greater than the electrical rating of the appliance.

DANGER - Electric Shock Hazard

Touching some of the internal components can cause serious personal injury or death. Do not disassemble this appliance.

WARNING - Electric Shock Hazard

Improper use of the grounding can result in electric shock. Do not plug into an outlet until appliance is properly installed and grounded.

1. A short power-supply cord is provided to reduce the risks resulting from becoming entangled in or tripping over a longer cord.
2. Longer cord sets or extension cords are available and may be used if care is exercised in their use.
3. If a long cord or extension cord is used:
 - 1) The marked electrical rating of the cord set or extension cord should be at least as great as the electrical rating of the appliance.
 - 2) The extension cord must be a grounding-type 3-wire cord.
 - 3) The longer cord should be arranged so that it will not drape over the counter top or tabletop where it can be pulled on by children or tripped over unintentionally.

Radio Interference

1. Operation of the microwave oven may cause interference to your radio, TV or similar equipment.
2. When there is interference, it may be reduced or eliminated by taking the following measures:
 - 1) Clean door and sealing surface of the oven
 - 2) Reorient the receiving antenna of radio or television.
 - 3) Relocate the microwave oven with respect to the receiver.
 - 4) Move the microwave oven away from the receiver.
 - 5) Plug the microwave oven into a different outlet so that microwave oven and receiver are on different branch circuits.

This device complies with part 18 of the FCC Rules.

Utensils

CAUTION – Personal Injury Hazard

Tightly-closed utensils could explode. Closed containers should be opened and plastic pouches should be pierced before cooking. See the instructions on “Materials you can use in microwave oven or to be avoided in microwave oven.”

There may be certain non-metallic utensils that are not safe to use for microwaving.

If in doubt, you can test the utensil in question following the procedure below.

Utensil Test:

1. Fill a microwave-safe container with 1 cup of cold water (250ml) along with the utensil in question.
2. Cook on maximum power for 1 minute.
3. Carefully feel the utensil. If the empty utensil is warm, do not use it for micro wave cooking.
4. Do not exceed 1 minute cooking time.

Materials to be avoided in microwave oven

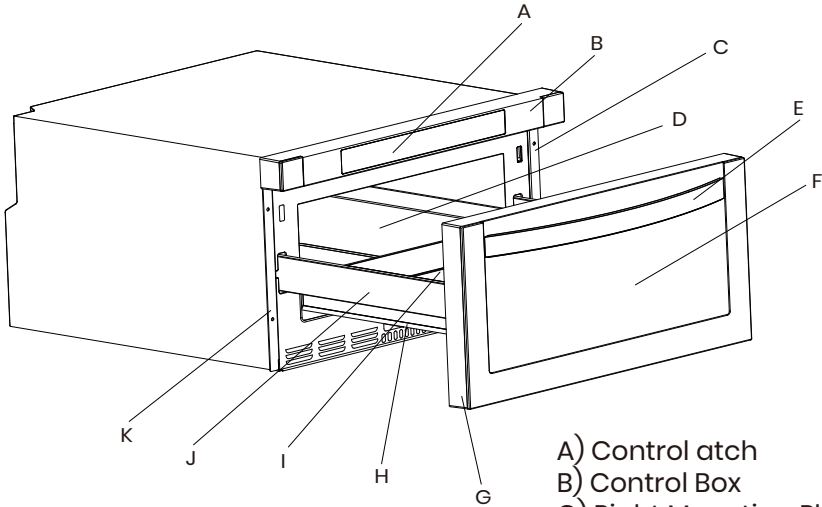
Utensils	Remarks
Aluminum tray	May cause arcing. Transfer food into microwave-safe dish.
Food carton with metal handle	May cause arcing. Transfer food into microwave-safe dish.
Metal or metal-trimmed utensils	Metal shields the food from microwave energy. Metal trim may cause arcing.
Metal twist ties	May cause arcing and could cause a fire in the oven.
Paper bags	May cause a fire in the oven.
Plastic foam	Plastic foam may melt or contaminate the liquid inside when exposed to high temperature.

Utensils	Remarks
Wood	Wood will dry out when used in the microwave oven and may split or crack.
Browning dish	Follow manufacturer's instructions. The bottom of browning dish must be at least 3/16 inch (5mm) above the turntable. Incorrect usage may cause the turntable to break.
Dinnerware	Microwave-safe only. Follow manufacturer's instructions. Do not use cracked or chipped dishes.
Glass jars	Always remove lid. Use only to heat food until just warm. Most glass jars are not heat resistant and may break.
Glassware	Heat-resistant oven glassware only. Make sure there is no metallic trim. Do not use cracked or chipped dishes.
Oven cooking bags	Follow manufacturer's instructions. Do not close with metal tie. Make slits to allow steam to escape.
Paper plates and cups	Use for short-term cooking/warming only. Do not leave oven unattended while cooking.
Paper towels	Use to cover food for reheating and absorbing fat. Use with supervision for a short-term cooking only.
Parchment paper	Use as a cover to prevent splattering or a wrap for steaming.
Plastic	Microwave-safe only. Follow the manufacturer's instructions. Should be labeled "Microwave Safe". Some plastic containers soften, as the food inside gets hot. "Boiling bags" and tightly closed plastic bags should be slit, pierced or vented as directed by package.
Plastic wrap	Microwave-safe only. Use to cover food during cooking to retain moisture. Do not allow plastic wrap to touch food.
Thermometers	Microwave-safe only (meat and candy thermometers).
Wax paper	Use as a cover to prevent splattering and retain moisture.

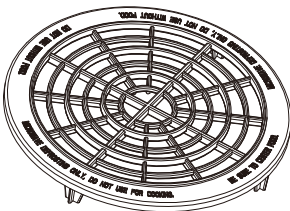
Names Of Oven Parts And Accessories

(In case of any differences between the appliance and the pictures in this manual, the product shall prevail.)

Remove the oven and all materials from the carton and oven cavity.
Your oven comes with the following accessories:



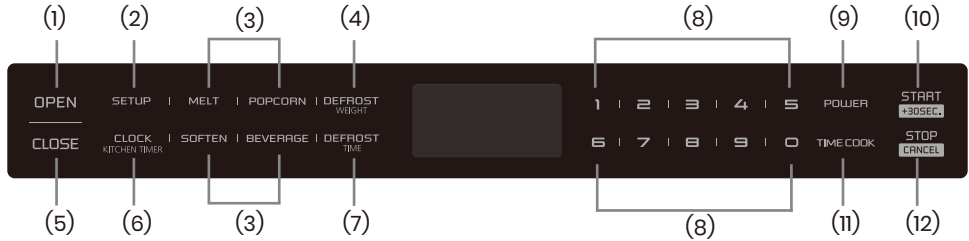
- A) Control atch
- B) Control Box
- C) Right Mounting Plate
- D) Cavity
- E) Handle
- F) Windows
- G) Door Frame
- H) Automatic putter
- I) Drawer
- J) Hinge Joint Board
- K) Left Mounting Plate



Defrosting Rack (Only be used in defrosting function and do not use for cooking. Do not use without food)

Operation

Control Panel and Features



- | | |
|-------------------------|--------------------|
| (1) Open | (7) Time Defrost |
| (2) Setup | (8) Number keys |
| (3) Auto Menu | (9) Power |
| (4) Weight Defrost | (10) Start/+30sec. |
| (5) Close | (11) Time Cook |
| (6) Clock/Kitchen timer | (12) Stop/Cancel |

1. Power on

- (1) When the microwave oven is plugged into an outlet, buzzer sounds once. Screen displays “WELCOME”. Then the oven turns into standby mode. The screen displays “00:00”.
- (2) In standby mode, the screen will display the current time if the clock has been set. Otherwise, “00:00” will display.
- (3) Press “OPEN” to open the drawer, and screen displays “OPEN”. The screen will display “PLEASE CLOSE” when the drawer is fully opened. Press “CLOSE” to close the drawer, and the screen displays “CLOSE”. The screen will display the current time or “00:00” when the drawer is fully closed. If there are mistakes to open or close the drawer, buzzer will sound five times, and the screen will display “CLOSE OR OPEN”.

2. Setting the clock

- (1) Press “CLOCK/KITCHEN TIMER” once. The first hour figure will flash and other “0” will light.
- (2) Press the number keys to enter the correct time. The input time should be between 01:00–12:59.

(3) Press “CLOCK/KITCHEN TIMER” to confirm. The clock is set.

Notes:

- (1) In the process of clock setting, if the “STOP/CANCEL” is pressed or if there is no operation within 1 minute, the setting is invalid.
- (2) To reset the clock, please repeat step 1 to step 3.
- (3) If the clock is not set, it would not work when powered.

3. Setting the kitchen timer

- (1) Press “CLOCK/KITCHEN TIMER” twice, “00:00” will display .
- (2) Press the number keys to enter the time. The maximum cooking time is “99:99”.
- (3) Press “START/+30SEC.” to confirm. The timer starts counting down.

Notes:

- 1) The kitchen timer is differ from 12-hour system. Kitchen Timer is a timer.
- 2) Any other program can't be set during kitchen timer.
- 3) “STOP/CANCEL” can be pressed to cancel the Kitchen Timer.

4. Microwave cooking

11 power levels are available.

Level	10	9	8	7	6	5	4	3	2	1	0
Power	100%	90%	80%	70%	60%	50%	40%	30%	20%	10%	0%
Display	PL100	PL90	PL80	PL70	PL60	PL50	PL40	PL30	PL20	PL10	PL00

- (1) Press “TIME COOK” once, “00:00” will display.
Press number keys to enter the cooking time. The maximum cooking time is “99:99”.
 - (2) Press “POWER” and then press number keys to adjust the power level.
The 11 power levels are available.
 - (3) Press “START/+30SEC.” to start cooking.
- Example: To cook the food with PL50 for 15 minutes.
- a. Press “TIME COOK” once.
 - b. Press “1”, “5”, “0”, “0” in order.
 - c. Press “POWER” and then press “5” to select PL50.
 - d. Press “START/+30SEC.” to start cooking.

Note: In the process of setting, if the “STOP/CANCEL” is pressed or if there is no operation within 1 minute, the setting is invalid.

5. Speedy cooking

- (1) In standby mode, press “START/+30SEC.” to cook food with 100% power level for 30 seconds. Each press on the same key can increase 30 seconds.
- (2) During microwave cooking and defrosting by time, “START/+30SEC.” can be pressed to increase cooking time. Each press will increase 30 seconds.

Note: “START/+30SEC.” cannot be pressed to increase cooking time for defrost by weight and Auto menu.

6. Defrost by weight

- (1) Press “DEFROST WEIGHT” once. “WEIGHT DEFROST” will display.
- (2) Press number keys to input the weight of the food. The input weight should be between 0.1-6.0 lbs.
- (3) Press “START/+30SEC.” to start defrosting.
- (4) Once defrosting has finished, the buzzer will sound five times and “FINISH” will display.


Note: The buzzer will sound to remind you to turn the food over during defrosting. If no operation, the oven will continue working.

7. Defrost by Time

- (1) Press “DEFROST TIME” once, “TIME DEFROST” will display.
- (2) Press number keys to set the desired defrost time. The maximum time value is “99:99”.
- (3) Press “START/+30SEC.” to start defrosting.
- (4) Once defrosting has finished, the buzzer will sound five times and “FINISH” will display.

Notes: The defrost power is P30.

8. Auto menu--beverage

- (1) Press “BEVERAGE” once. The screen displays “1”. “AUTO MENU” and “” indicators will light.
- (2) Continue to press “BEVERAGE”, “1” or “2” will display in order.
- (3) Press “START/+30SEC.” to start cooking. Buzzer sounds once. The cooking time starts counting down. Once cooking has finished, buzzer sounds five times and “FINISH” displays.

9. Auto menu--popcorn

- (1) Press "POPCORN" once. The screen displays "1.75". "AUTO MENU" and "OZ" indicators will light.
- (2) Continue to press "POPCORN", "1.75", "3" or "3.5" will display in order.
- (3) Press "START/+30SEC." to start cooking. Buzzer sounds once. The cooking time starts counting down. Once cooking has finished, buzzer sounds five times and "FINISH" displays.

10. Auto menu--melt

- (1) Press "MELT" once. The screen displays "BUTTER". "AUTO MENU" indicator will light.
- (2) Continue to press "MELT" "BUTTER", "CHOCOLA", "CHEESE" or "MARSHMA" will display in order.
- (3) Press "START/+30SEC." to confirm the selection.
- (4) Press "MELT" to select the weight. "OZ" will light except butter menu.
- (5) Press "START/+30SEC." to start cooking. Buzzer sounds once. "OZ" will go out. The cooking time starts counting down. Once cooking has finished, buzzer sounds five times and "FINISH" displays.

Menu	Display	Weight
Butter/Margarine	BUTTER	1(STICH)
		2(STICHS)
		3(STICHS)
Chocolate	CHOCOLA	4
		8
Cheese	CHEESE	8
		16
Marshmallows	MARSHMA	10
		5

11. Auto menu--soften

- (1) Press "SOFTEN" once. The screen displays "BUTTER". "AUTO MENU" indicator will light.

- (2) Continue to press "SOFTEN", "BUTTER", "ICE-CRE" or "CHEESE" will display in order.
- (3) Press "START/+30SEC." to confirm the selection.
- (4) Press "SOFTEN" to select the weight. "Oz" will light except butter menu.
- (5) Press "START/+30SEC." to start cooking. Buzzer sounds once. "OZ" will go out. The cooking time starts counting down. Once cooking has finished, buzzer sounds five times and "FINISH" displays.

Menu	Display	Weight
Butter	BUTTER	1(STICH)
		2(STICHS)
		3(STICHS)
Ice cream/ Frozen juice	CHOCOLA	8
		16
		32
Cream Cheese	CHEESE	3
		8

12. Silent mode

To activate the silent mode:

- (1) Press "SETUP" once, the screen displays "BUZ OFF"
- (2) Press "START/+30SEC.". The oven will turn to standby mode. Buzzer is turned off.

No beep will sound. To deactivate the silent mode:

- (1) Press "SETUP" once, the screen displays "BUZ ON".
- (2) Press "START/+30SEC.". The oven will turn to stanby mode. Buzzer is turned on. Buzzer will sound normally.

13. Lock function for children

You can use this function to prevent children from accidentally turning the oven on.

To activate the lock:

In standby mode, press and hold "STOP/CANCEL" for three seconds. A beep sounds and the locked icon will display.

To deactivate the lock:

In locked state, press and hold "STOP/CANCEL" for three seconds. A beep sounds

Note: The lock function for children cannot be set when the oven door has opened.

14. Inquiring function

- (1) If the clock has been set, the current time will display for three seconds by pressing "CLOCK/KITCHEN TIMER" in the cooking state.
- (2) In the microwave cooking state, press "POWER" to inquire the power level. It will display for three seconds. In defrosting state and auto menu, the power level cannot be inquired.

15. Other specifications

- (1) The buzzer sounds once by efficient press, inefficient press will be no response.
- (2) In cooking state, "OPEN" cannot be pressed to open the drawer unless "STOP/CANCEL" is pressed to pause the cooking. Press "CLOSE" to close the drawer. Then "START/+30SEC." must be pressed to continue cooking.
- (3) If the cooking programme has been set, "START/+30SEC." is not pressed within 1 minute, The setting is invalid.
- (4) If the oven door is open, the lamp will light until the oven is powered off.

Maintenance

Troubleshooting

Check your problem by using the chart below and try the solutions for each problem. If the microwave oven still does not work properly, contact the nearest authorized service center

TROUBLE	POSSIBLE CAUSE	POSSIBLE REMEDY
Oven will not start	<ul style="list-style-type: none"> a. Electrical cord for oven is not plugged in. b. Door is open. c. Wrong operation is set. 	<ul style="list-style-type: none"> a. Plug into the outlet. b. Close the door and try again. c. Check instructions.
Arcing or sparking	<ul style="list-style-type: none"> a. Materials to be avoided in microwave oven were used. b. The oven is operated when empty. c. Spilled food remains in the cavity. 	<ul style="list-style-type: none"> a. Use microwave-safe cookware only. b. Do not operate with oven empty. c. Clean cavity with wet towel.
Unevenly cooked foods	<ul style="list-style-type: none"> a. Materials to be avoided in microwave oven were used. b. Food is not defrosted completely. c. Cooking time, power level is not suitable. d. Food is not turned or stirred. 	<ul style="list-style-type: none"> a. Use microwave-safe cookware only. b. Completely defrost food. c. Use correct cooking time, power level. d. Turn or stir food.
Overcooked foods	Cooking time, power level is not suitable.	Use correct cooking time, power level.
Undercooked foods	<ul style="list-style-type: none"> a. Materials to be avoided in microwave oven were used. b. Food is not defrosted completely. c. Oven ventilation ports are restricted. d. Cooking time, power level is not suitable. 	<ul style="list-style-type: none"> a. Use microwave-safe cookware only. b. Completely defrost food. c. Check to see that oven ventilation ports are not restricted. d. Use correct cooking time, power level.
Improper defrosting	<ul style="list-style-type: none"> a. Materials to be avoided in microwave oven were used. b. Cooking time, power level is not suitable. c. Food is not turned or stirred. 	<ul style="list-style-type: none"> a. Use microwave-safe cookware only. b. Use correct cooking time, power level. c. Turn or stir food.

Warranty

One year warranty

GASLAND Chef warrants to customer that your GASLAND Chef Product will be free from defects in materials and workmanship, subject to the exclusions described below, for the warranty period, commencing the later of follow:

- a. The date of your GASLAND Chef Product is originally installed.
- b. The date of purchase or (c) the date of manufactures are identified by your GASLAND Chef Products serial number. You will be required to show written documentation supporting (a) or (b) If you are unable to provide documentation supporting either (a) or (b), the Warranty Period commencement date will be determined by Manufacturer, in its sole and absolute discretion, base upon your GASLAND Chef Product serial number.

What is not covered

This limited warranty does not extend to and expressly excludes: Losses or damages or the inability to operate your GASLAND Chef Product resulting from conditions beyond the Manufacturers control including, without limitation, accident, alteration, misuse, abuse, neglect, negligence (other than Manufacturer's), failure to install, maintain, assemble, or mount the GASLAND Chef Product in accordance with Manufacturer's instructions or local electrical and plumbing codes.

Wear and tear expected to occur during the normal course of use, including without limitation, cosmetic rust, scratches, dents or comparable and reasonably expected losses or damages.

In addition to the above exclusions, this limited warranty does not apply to GASLAND Chef Products installed in a commercial or industrial application.

What we will do to correct problems

If the product does not operate in accordance with the documentation provided to you, or you have any questions concerning this product or how to determine when service is needed, please call our Answer Line at (844) 538-7890. You may also contact us via email support@gaslandchef.com.

The following information must be provided as part of your warranty claim: your name, address, phone number, your product model and serial number, and if necessary, upon request, written confirmation of either: (a) the date shown on your installation receipt, or (b) the date shown on your purchase receipt.



1 (844) 538-7890



www.gaslandchef.com



support@gaslandchef.com



8350 Patriot Blvd STE B,
N. Charleston, SC 29418

