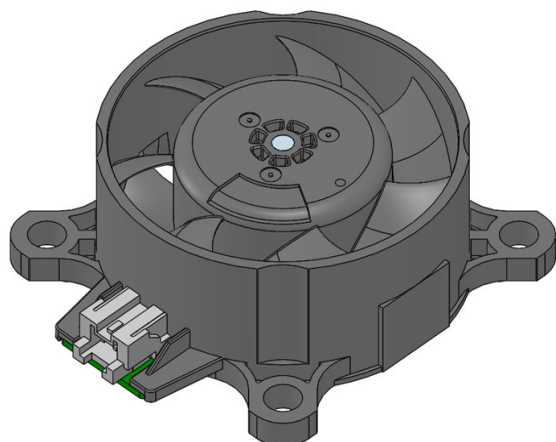


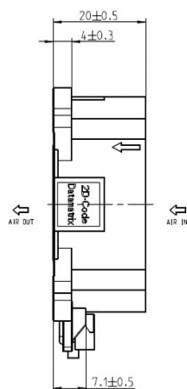
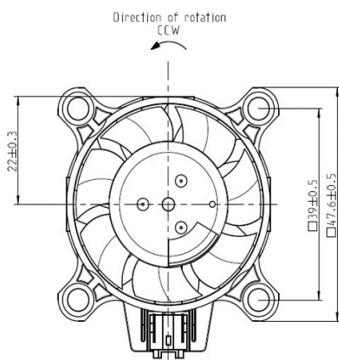
DC Axial Fan Ball Bearing



■ General Specifications

- Motor Protection : Auto Restart
- Insulation Resistance : 10M Ω or over with a DC500V Megger
- Dielectric Withstand Voltage : AC700V 1s
- Allowable Ambient : (-40°C ~ +105°C) (Operating)
- Temperature Range : (-40°C ~ +105°C) (Storage)

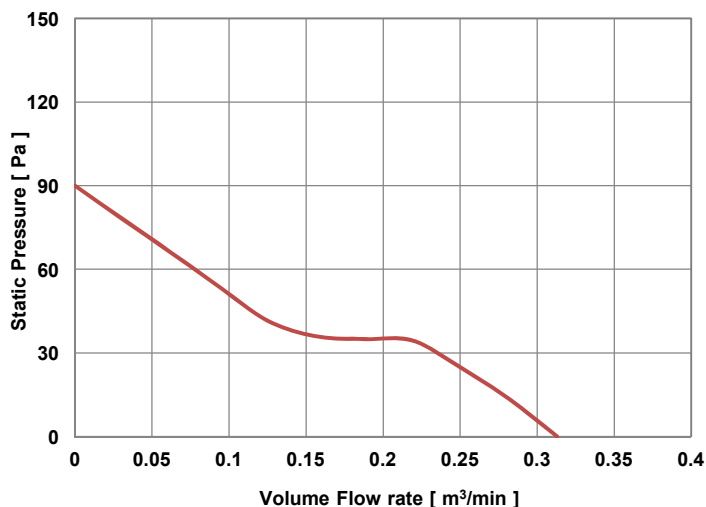
■ Outline



■ Material

- Casing : Plastic
- Impeller : Plastic
- Bearing : Ball Bearing
- Connector : JST SM02B-PASS
- Type : No.1 : +, No.2 : -

■ Characteristic Curves



■ Typical characteristics of the soft-tool sample

Model	Rating Voltage	Operating Voltage	Current	Input Power	Speed	Max. Volume Flow rate	Max. Static Pressure	Acoustic Noise	
	(V)	(V)	(A) ^{*1}	(W) ^{*1}	(min ⁻¹) ^{*1}	(m³/min) ^{*1} (CFM) ^{*1}	(Pa) ^{*1} (In H ₂ O) ^{*1}	(dB) ^{*1,*2}	(dB) ^{*1,*2}
BLOM2515D	13.5	9 ~ 16	0.18	2.43	7400	(0.31) (11.05)	(90) (0.36)	Typ 42	

*1 : Average Values in Free Air. It is the reference value of the soft-tool sample, not guaranteed value.

*2 : Measured by Microphone distance 1m.