



Wiring Devices – Straight Blade Plugs / Connectors

Features

- Internal Triple-Gripper® cord clamp with unique “radius teeth” design automatically centers and secures the cord
- Tough impact- and chemical-resistant nylon housing
- Double-wall construction
- Combination Phillips/slotted captive terminal screws
- Transparent terminal cover with clear window and teardrop wiring pockets to ease insertion of stranded wire and to make solid connections
- Captive, quick-thread assembly screws backed out, ready for assembly
- Copper wire only
- Insulated design shields exposed metal parts on hand-held side
- Integral thermoplastic elastomer dust seal surrounds cord to help prevent moisture and contaminants from entering the wiring chamber
- Ratings stamped on straight blade devices visible while in use [15 and 20A]
- Face and body feature contrasting key for correct and easy assembly every time
- Universal cord grip design accepts 0.300” to 0.655” [7.6 to 16.6 mm] cord without inserts or adapters [15 and 20A]; 0.425” to 1.320” [10.80 to 33.5 mm]



BRY5266NP

BRY5269NC



9530NP

9530NC


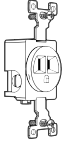

Agency Approvals

- UL File E2258 [Receptacle], E1381, E3382
- Plug, Connector
- CSA Certified 16215

15 Amp Straight Devices									
Poles	NEMA #	Voltage	Configuration	Plug Part No.	Style	Price	Connector Part No.	Style	Price
2-Pole 3-Wire	5-15	125V	 5-15R 5-15P	BRY5266NP		\$12.00	BRY5269NC		\$21.00
	6-15	250V	 6-15R 6-15P	BRY5666NP		\$18.00	BRY5669NC		\$31.00
20 Amp Straight Devices									
Poles	NEMA #	Voltage	Configuration	Plug Part No.	Style	Price	Connector Part No.	Style	Price
2-Pole 3-Wire	5-20	125V	 5-20R 5-20P	BRY5366NP		\$14.50	BRY5369NC		\$25.50
	6-20	250V	 6-20R 6-20P	BRY5466NP		\$24.00	BRY5469NC		\$37.50
30 Amp Straight Devices									
Poles	NEMA #	Voltage	Configuration	Plug Part No.	Style	Price	Connector Part No.	Style	Price
2-Pole 3-Wire	5-30	125V	 5-30R 5-30P	9530NP		\$122.00	9530NC		\$133.00
	6-30	250V	 6-30R 6-30P	9630NP		\$116.00	9630NC		\$130.00






Wiring Devices – Single Straight Blade Receptacles

15 Amp Single Receptacles						
Poles	NEMA #	Voltage	Configuration	Part Number	Style	Price
2 Pole 3 Wire	5-15	125V	 5-15R	<u>5251</u>		\$8.00
	6-15	250V	 6-15R	<u>5661</u>		\$16.00






[5251](#)

20 Amp Single Receptacles						
Poles	NEMA #	Voltage	Configuration	Part Number	Style	Price
2 Pole 3 Wire	5-20	125V	 5-20R	<u>5361</u>		\$15.50
	6-20	250V	 6-20R	<u>5461</u>		\$18.00



[5361](#)

30 Amp Single Receptacles						
Poles	NEMA #	Voltage	Configuration	Part Number	Style	Price
2 Pole 3 Wire	5-30	125V	 5-30R	<u>9530FR</u>		\$36.50
	6-30	250V	 6-30R	<u>9630FR</u>		\$41.50



[9530FR](#)

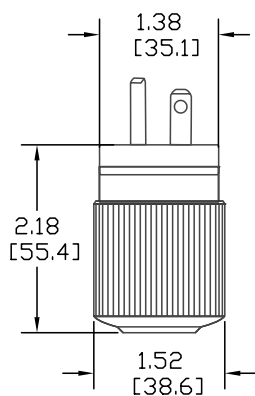
Wiring Devices – Straight Blade Plugs / Connectors / Receptacles Specifications and Drawings

Straight Blade Devices General Specifications					
Part Type	Maximum Working Voltage	Operating/Storage Temperature	Terminal Accommodation	Cord Grip Range	Torque Specifications
Plug	250 VAC/DC	Maximum of 140°F [60°C] continuous, minimum of -40°F [-40°C] without impact	15/20 Amp Fork slot = 0.390 x 0.060 terminal screw #8	15/20 amp = 0.245"-0.655" [6.2-16.6mm]	15/20 amp = Terminal screw 12-14 lb-in [1.4-1.6 N-m] Assembly screw 12 lb-in [1.3 N-m]
Connector				30 amp = 0.425"-0.1.320" [10.8-33.5mm]	30 amp = Terminal screw 20-24 lb-in [2.26-2.712 N-m] Assembly screw 10-12 lb-in [1.2-1.356 N-m]
			#18 - #10 AWG Flexible Cord [copper wire]	15/20 amp = 0.245"-0.655" [6.2-16.6mm]	15/20 amp = Terminal screw 12-14 lb-in [1.4-1.6 N-m] Assembly screw 12 lb-in [1.3 N-m]
Single Receptacle [15 & 20 amp]				Fork slot = 0.400 x 0.060 terminal screw #10 #14 - #10 AWG [solid or stranded copper wire]	N/A
			Single Receptacle [30 amp]	Fork slot = 0.400 x 0.060 terminal screw #10 #14 - #8 AWG [solid or stranded copper wire]	N/A
Duplex Receptacle [15 & 20 amp]			Fork slot = 0.400 x 0.060 terminal screw #10 #14 - #10 AWG [copper conductors only]	N/A	15/20 amp = Terminal screw 14 lb-in [1.6 N-m]

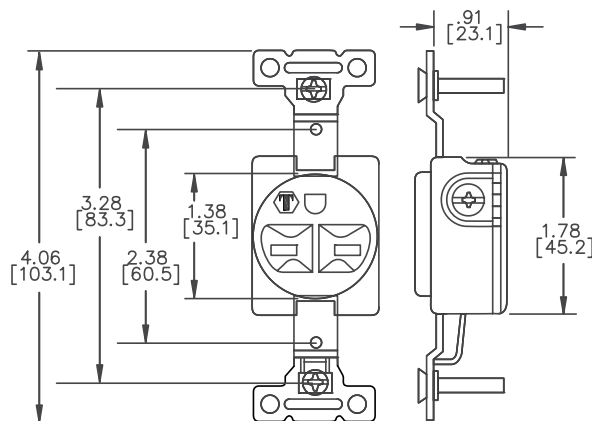
Dimensions inches [mm]

15/20 Amp

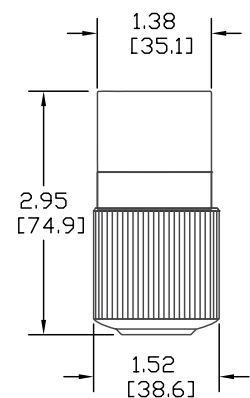
Single Straight Blade Plug



Single Straight Blade Receptacle



Single Straight Blade Connector



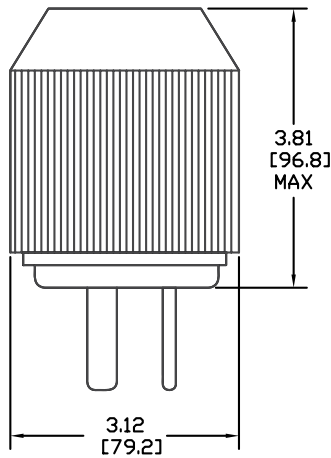
Wiring Devices – Straight Blade Plugs / Connectors / Receptacles Specifications and Drawings

Dimensions

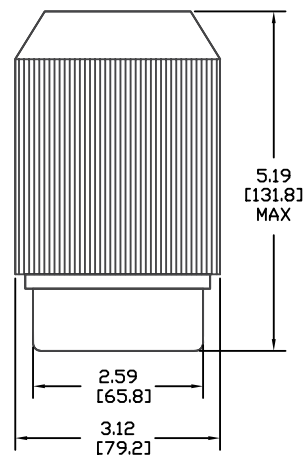
inches [mm]

30 AMP

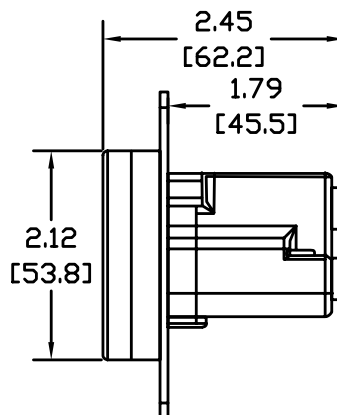
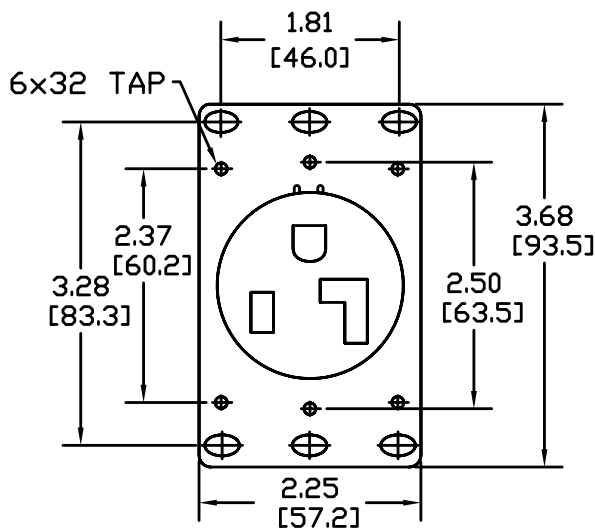
Single Straight Blade Plug



Single Straight Blade Connector



Single Straight Blade Receptacle



Wiring Devices – Technical Information

Reference material only. Please see Wiring Section in the catalog for product part number.

Mechanical And Electrical Properties Of Materials							
Properties	6/6 Nylon	6 Nylon	Polycarbonate	PC/PET	Phenolic	Urea	
Tensile Strength [PSI]	11,000	6,000*	9,000	6,000	6,500-10,000	5,500-13,000	
Elongation [%]	300+*	300*	130	120	0.4 - 0.8	0.5 - 1.0	
Flex. Mod. [Stiffness][PSI]	175,000*	140,000*	340,000	325,000	1,000,000	1,500,000	
Izod [Notched] ft.-lb./in.	2.1 lb-in [0.24 Nm]*	3.0 lb-in [0.34 Nm]*	15.0 lb-in [1.7 Nm]	12.0 lb-in [1.36Nm]	0.3 to 1.9 lb-in [.034 to 0.21 Nm]	0.25 to 0.4 lb-in [0.03 to 0.05 Nm]	
Hardness Rockwell	59M* 108R*	- 119R	70M 118R	- 115R	105-120M -	110-120M -	
Heat Deflection Temperature	66 PSI	464°F [240°C]	370°F [187.7°C]	-	265°F [129.4°C]	-	
	264 PSI	194°F [90°C]	185°F [85°C]	270°F [132°C]	260°F [126.6°C]	400°F [204.4°C]	260 to 290°F [126.6 to 143.3°C]
UL Thermal Index	Electrical	257°F [125°C]	257°F [125°C]	257°F [125°C]	221°F [105°C]	302°F [150°C]	212°F [100°C]
	Mechanical w/ Impact	167°F [75°C]	167°F [75°C]	239°F [115°C]			
	Mechanical w/o Impact	185°F [85°C]	185°F [85°C]	257°F [125°C]			
Flame Class UL 94	V-2	V-2	V-2	V-0	HB-V0	HB-V0	
Dielectric V/mil	600	400	380	307	200-400	300-400	
Specific Gravity	1.14	1.13	1.2	1.33	1.4	1.5	
UL Comparative Tracking Index [Volts]	600+	600+	250+	230	175+	600+	

*Conditioned to 50% relative humidity

Chemical Resistance Of Materials				
Chemical	Nylon	Phenolic	Urea	Polycarbonate
Acids	C	B	B	A
Alcohol	A	A	A	B
Caustic Bases	A	B	B	C
Gasoline	A	A	C	A
Grease	A	A	A	B
Kerosene	A	A	A	A
Oil	A	A	A	B
Solvents	A	A	A	C
Water	A	A	A	A

Note: A - Completely resistant. Good to excellent, general use.
 B - Resistant. Fair to good, limited service.
 C - Slow attack. Not recommended for use.

Wiring Devices – Technical Information

Table III - Horsepower Ratings			
NEMA Configuration	AC HP Rating**	Nema Configuration	AC HP Rating**
1-15	0.5	L1-15	0.5
2-15	1.5	L2-20	2
2-20	2	L5-15	0.5
2-30	2	L5-20	1
5-15	0.5	L5-30	2
5-20	1	L6-15	1.5
5-30	2	L6-20	2
5-50	2	L6-30	2
6-15	1.5	L7-15	2
6-20	2	L7-20	2
6-30	2	L7-30	3
6-50	3	L8-20	3
7-15	2	L8-30	5
7-20	2	L10-20	2 L-L/1 L-N
7-30	3	L10-30	2 L-L/2 L-N
7-50	5	L11-15	2
10-20	2 L-L/1 L-N	L11-20	3
10-30	2 L-L/2 L-N	L11-30	3
10-50	3 L-L/2 L-N	L12-20	5
11-15	2	L12-30	10
11-20	3	L14-20	2 L-L/1 L-N
11-30	3	L14-30	2 L-L/2 L-N
11-50	7.5	L15-20	3
14-15	1.5 L-L/0.5 L-N	L15-30	3
14-20	2 L-L/1 L-N	L16-20	5
14-30	2 L-L/2 L-N	L16-30	10
14-50	3 L-L/2 L-N	L18-20	2
14-60	3 L-L/2 L-N	L18-30	3
15-15	2	L19-20	5
15-20	3	L19-30	10
15-30	3	L21-20	2
15-50	7.5	L21-30	3
15-60	10	L22-20	5
18-15	2	L22-30	10
18-20	2		
18-30	3		
18-50	7.5		
18-60	7.5		

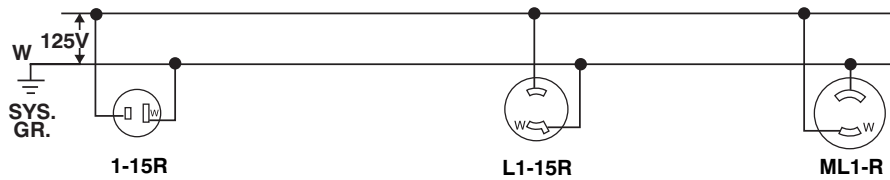
**The phase-to-phase horsepower ratings are noted by "L-L". The phase-to-neutral ratings are identified by "L-N"

Wiring Devices – NEMA Wiring Diagrams

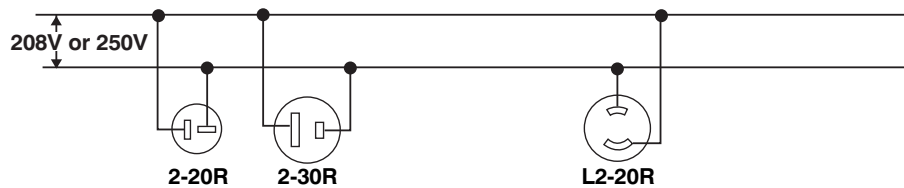
Reference material only. Please see Wiring Section in the catalog for product part number.

2-Pole 2-Wire

125V

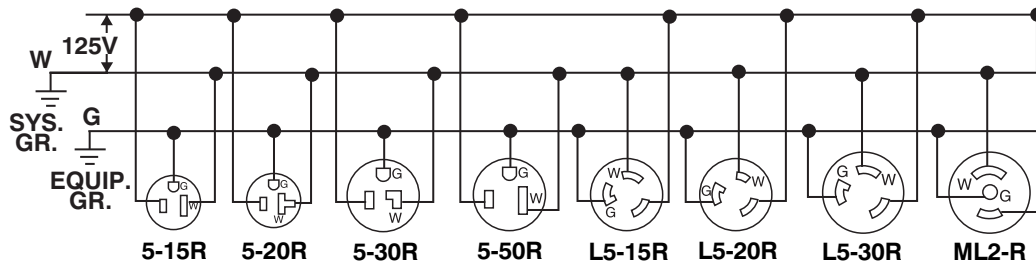


208V or 250V

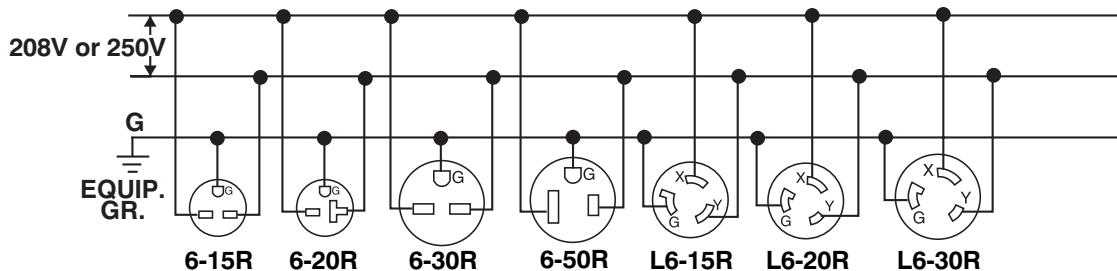


2-Pole 3-Wire Grounding

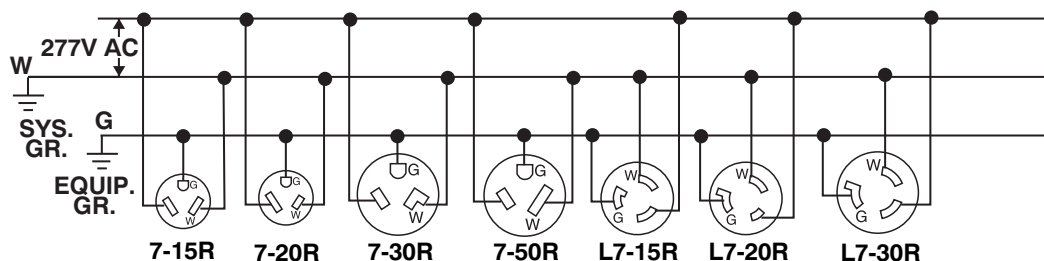
125V



208V or 250V

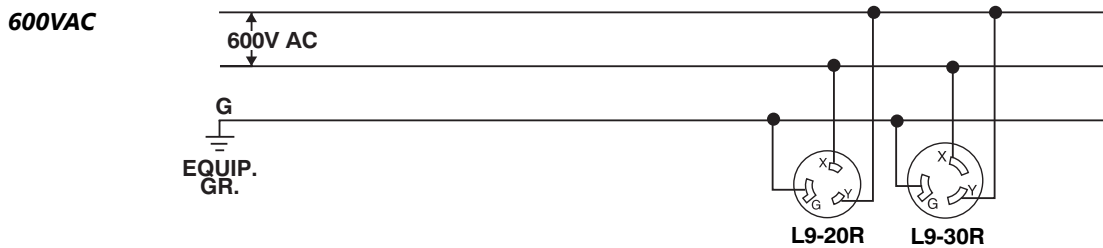
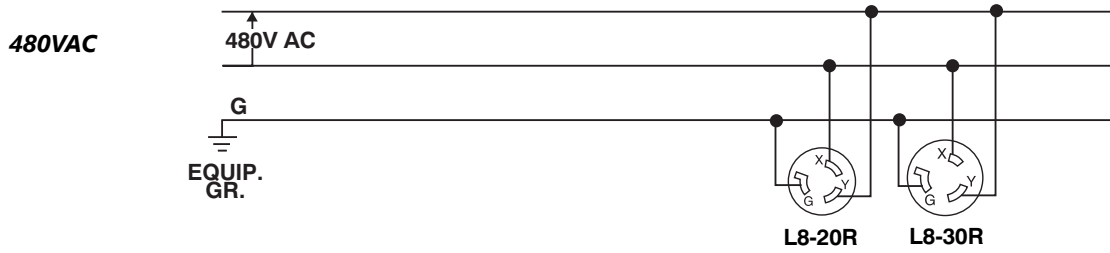


277 VAC

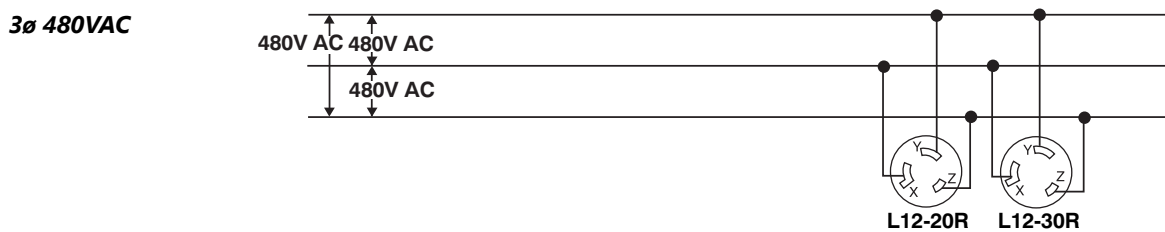
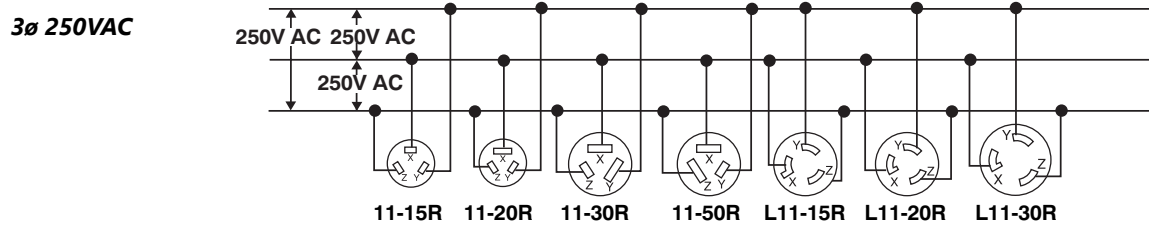
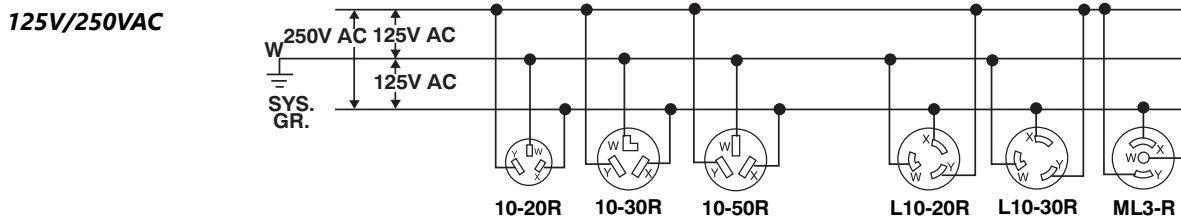


Wiring Devices – NEMA Wiring Diagrams

2-Pole 3-Wire Grounding

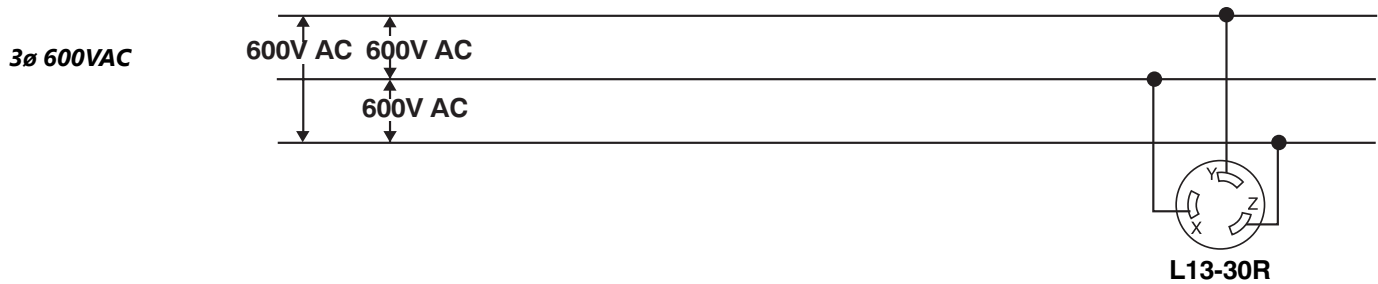


3-Pole 3-Wire

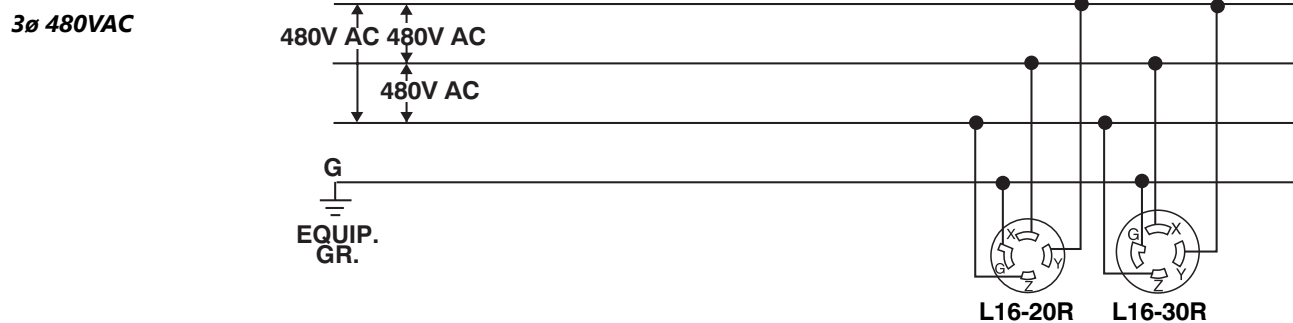
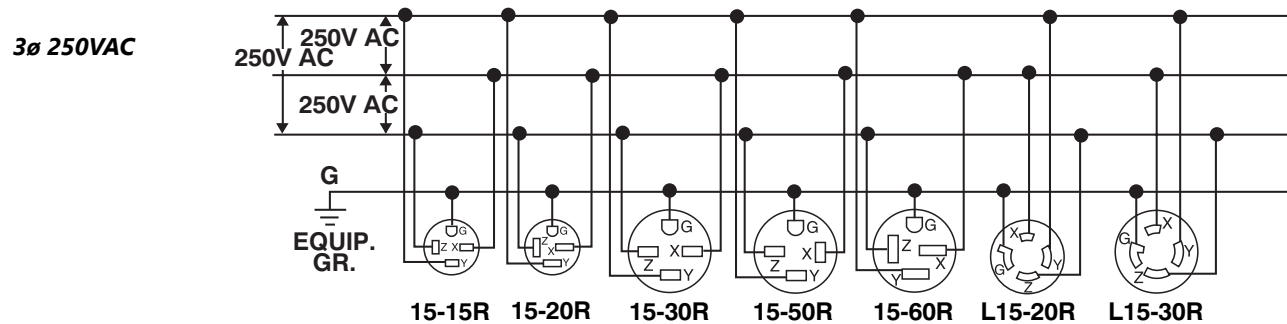
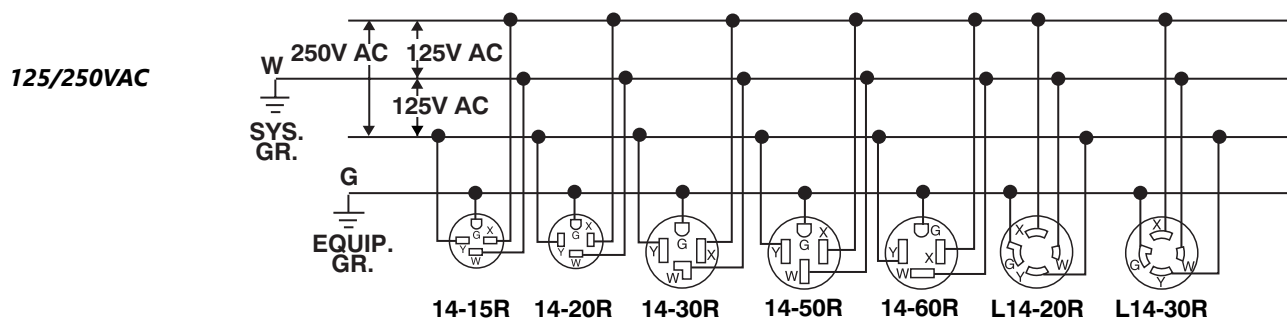


Wiring Devices – NEMA Wiring Diagrams

3-Pole 3-Wire Continued

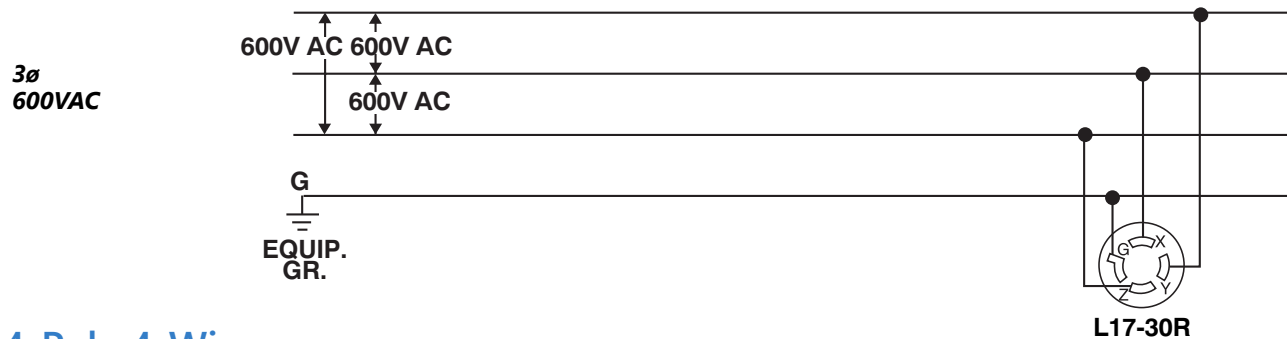


3-Pole 4-Wire Grounding

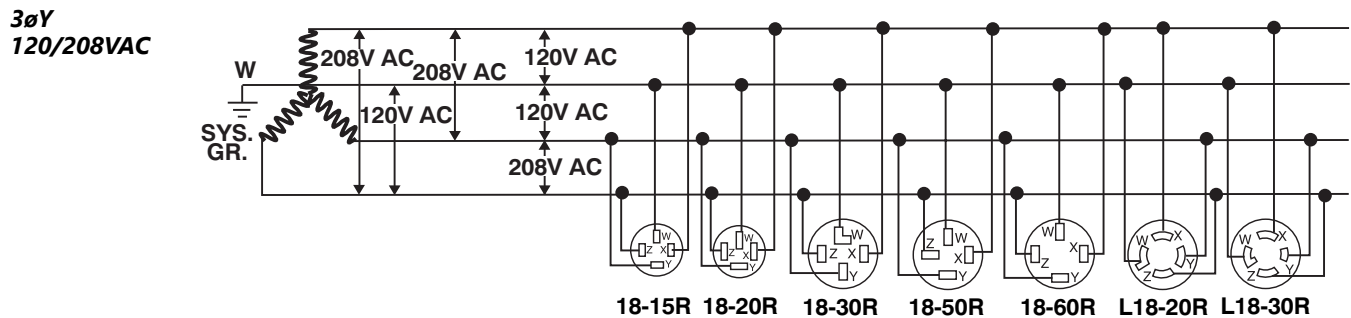


Wiring Devices – NEMA Wiring Diagrams

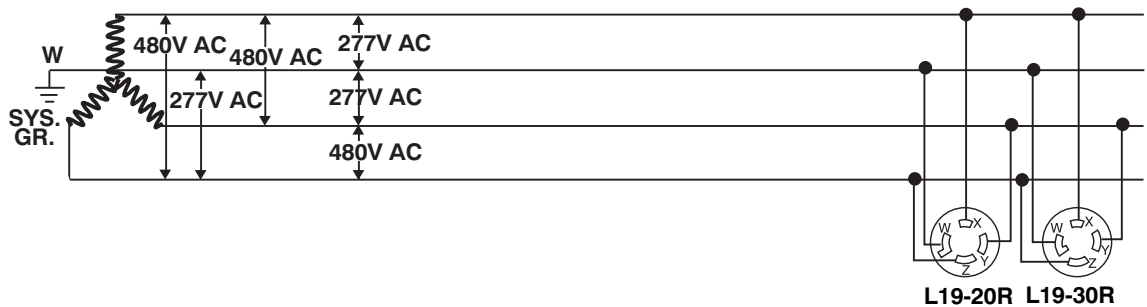
3-Pole 4-Wire Grounding Continued



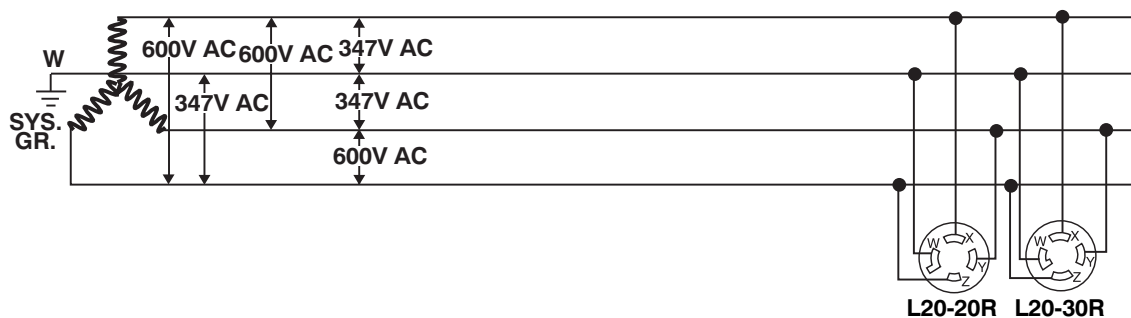
4-Pole 4-Wire



3 ϕ Y
277/480VAC



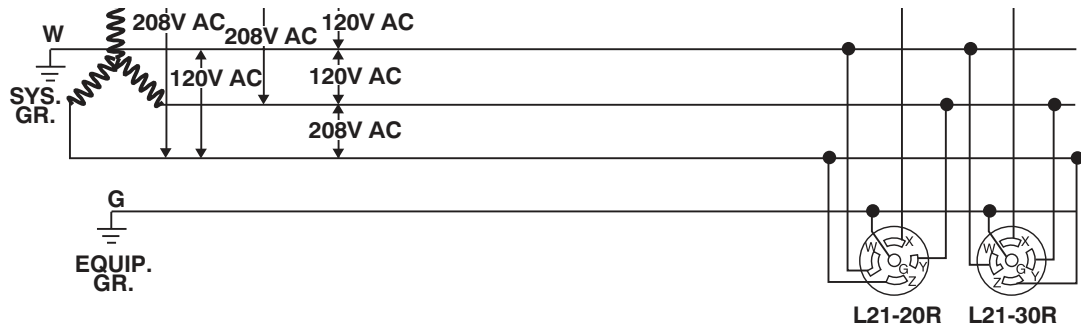
3 ϕ Y
347/600VAC



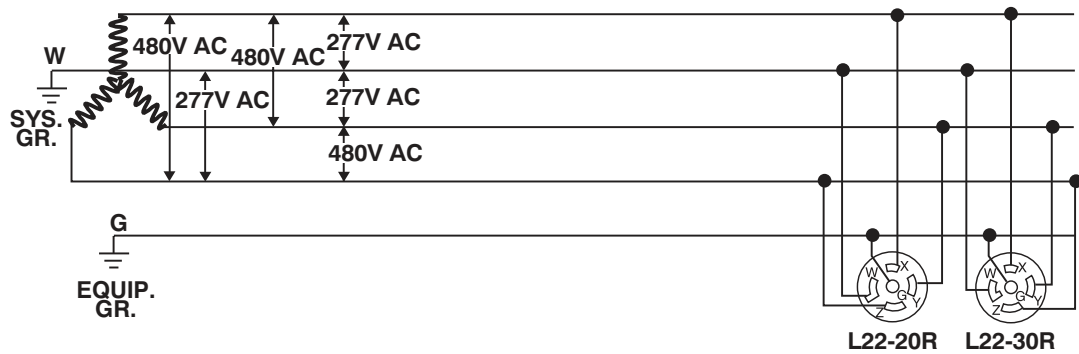
Wiring Devices – NEMA Wiring Diagrams

4-Pole 5-Wire Grounding

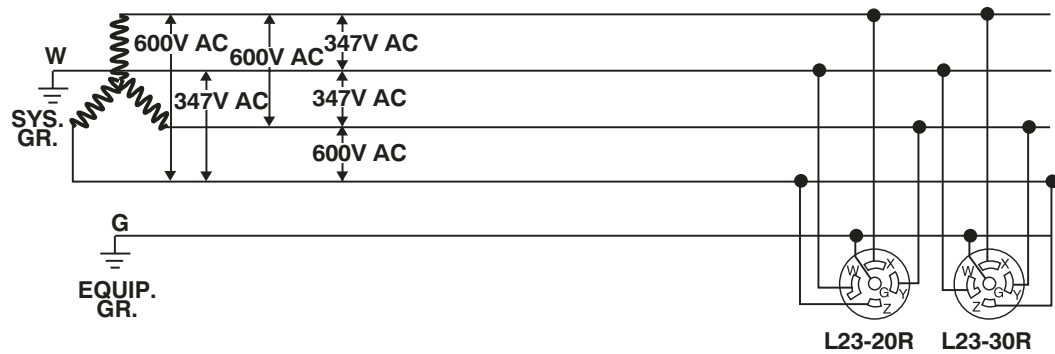
3 ϕ Y
120/208VAC



3 ϕ Y
277/480VAC



3 ϕ Y
347/600VAC



BRYANT® Wiring Devices – Accessories

Features

Nylon Angle Adapter

- Converts 20A and 30A nylon locking plugs and connectors into space saving angle devices
- Adapters permit wire to exit parallel to the receptacle; eliminating space needed for wire to bend

Weather Protective Boots; 5200 Series

- For use with Bryant 15 and 20 Amp straight blade plugs and connectors and 15 Amp locking plug and connectors
- Help prevent moisture, dust and other contaminants from infiltrating plugs and connectors
- Available in high visibility yellow or standard black
- Thermoplastic elastomer construction
- Excellent ozone and weather resistance
- Resistant to deterioration by oils and heat
- IP55 Suitability when installed and used properly with plug and connector body combinations
- Connector sealing ring provides extra protection when plug and connector are not mated
- Ribbed exterior provides firm grip

Weather Protective Boots; 7200 Series

- For use with Bryant 20 and 30 Amp locking plugs and connectors
- Help prevent moisture, dust and other contaminants from infiltrating plugs and connectors
- Chemical/UV resistant construction
- Available in high visibility yellow or standard black
- Ribbed exterior provides firm grip
- Sealing ring seals connector when not mated
- For use with Bryant Triple Gripper® 20 and 30 Amp nylon plugs and connectors
- IP55 Suitability when installed and used properly with plug and connector body combinations

Stainless Steel Cover Plates

Approvals

- UL File E31999*
- CSA Certified 18416*



*Approvals for stainless steel receptacle plates only.

Wiring Devices Accessories		
Part Number	Description	Price
Receptacle Plates		
SS8	Duplex receptacle plate, stainless steel, 15A and 20A straight blade, single-gang box	\$2.75
SS7	Single receptacle plate, stainless steel, 15A and 20A straight blade, 15A locking, single-gang box	\$3.25
SS723	Single receptacle plate, stainless steel, 30A straight blade, single-gang box	\$6.00
SS703	Single receptacle plate, stainless steel, 30A straight blade, two-gang box	\$9.50
SS720	Single receptacle plate, stainless steel, 20A and 30A locking, single-gang box	\$4.75
Angle Adapter*		
70204ANA	Angle adapter for 20A and 30A locking plugs and connectors	\$25.50
Weather Boots*		
5200BP	Weather boot for 15A locking, 15A straight, and 20A straight blade plugs. YELLOW thermoplastic elastomer	\$16.50
5200BC	Weather boot for 15A locking, 15A straight, and 20A straight blade connector. YELLOW thermoplastic elastomer	\$19.00
5200BSR	Connector boot sealing ring for 5200BC boot. YELLOW thermoplastic elastomer	\$23.50
5200BPB	Weather boot for 15A locking, 15A straight, and 20A straight blade plugs. BLACK thermoplastic elastomer	\$16.50
5200BCB	Weather boot for 15A locking, 15A straight, and 20A straight blade connector. BLACK thermoplastic elastomer	\$19.50
5200BSRB	Connector boot sealing ring for 5200BC boot. BLACK thermoplastic elastomer	\$23.50
72002BC	Weather boot for 20A and 30A locking connector. YELLOW neoprene	\$27.00
72002BP	Weather boot for 20A and 30A locking plug. YELLOW neoprene	\$21.00
72002BPB	Weather boot for 20A and 30A locking plugs. BLACK thermoplastic elastomer	\$21.00
72002BCB	Weather boot for 20A and 30A locking connectors. BLACK thermoplastic elastomer	\$22.00



Stainless Steel
Receptacle Plates



Angle Adapter
70204ANA

*Angle adapter and weather boots are not UL listed or CSA certified.

BRYANT® Wiring Devices – Accessories



72002BC
Weather Boot

Note: Connectors shown on above installations are not included and are purchased separately.



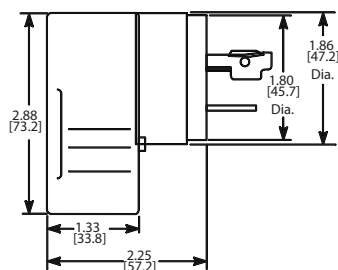
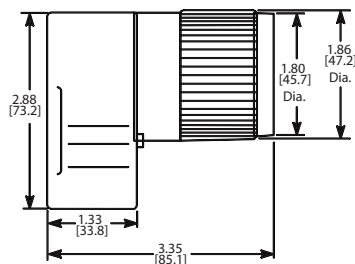
Angle Adapter 70204ANA



Dimensions

inches [mm]

Angle Adapter



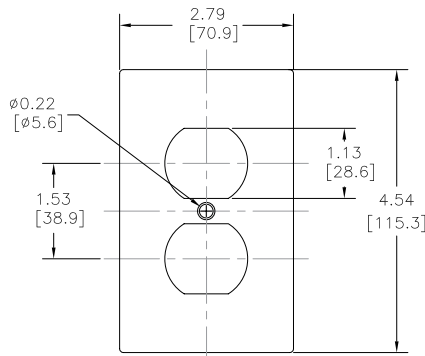
Angle Adapter

Wiring Devices – Accessories Drawings

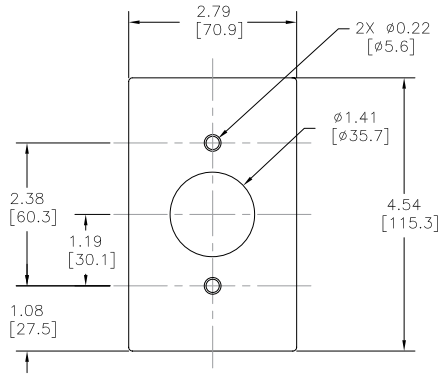
Dimensions

inches [mm]

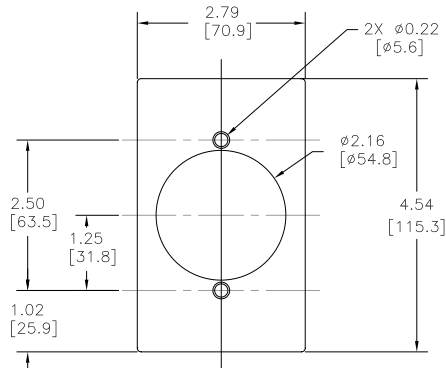
Stainless Steel Cover Plates



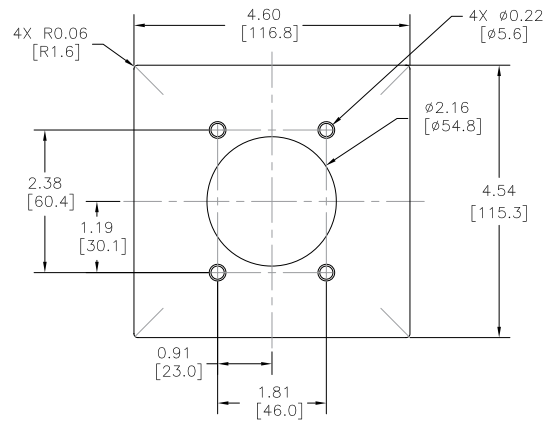
SS8



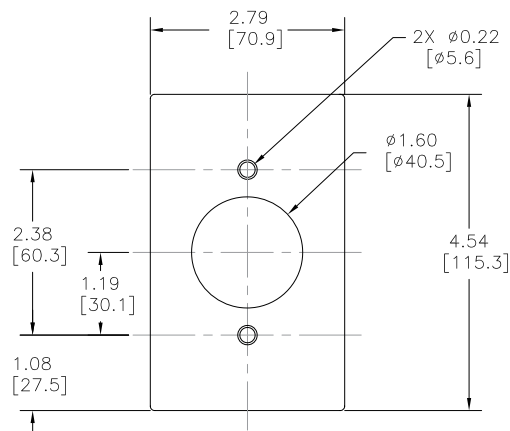
SS7



SS723



SS703



SS720