

C.I.P.

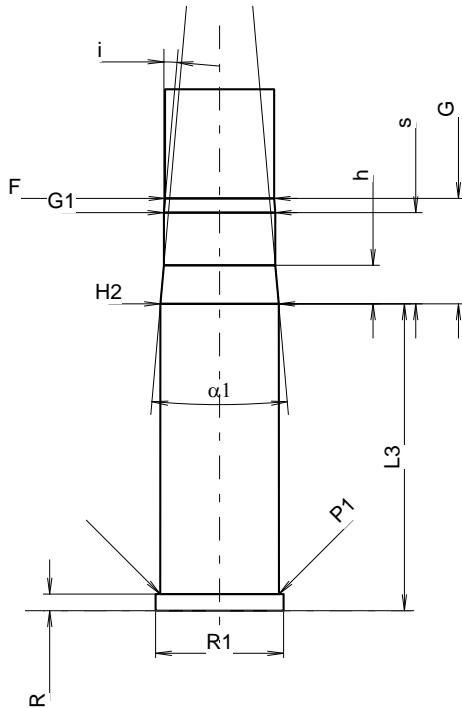
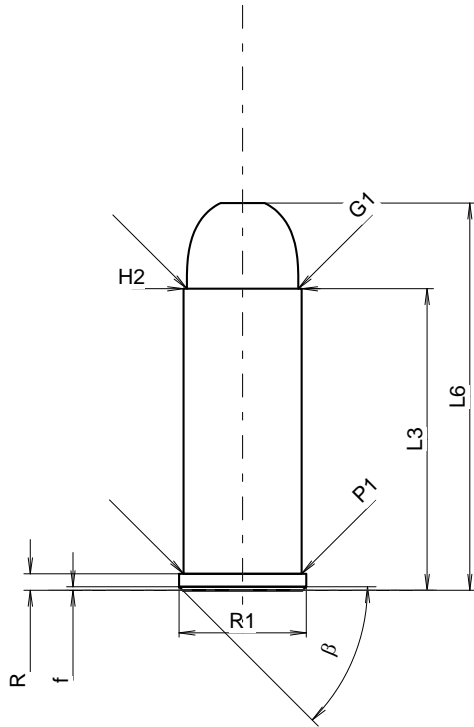
480 Ruger

Country of Origin: US

TAB. IV

Date 03-02-17

Revision 04-09-27



Scale 1.22:1

CARTRIDGE MAXI

Lengths

L1	=	
L2	=	
L3 ¹⁾	=	32.64
L4	=	
L5	=	
L6	=	41.91

Case Head

R ¹⁾	=	1.78	-0.25
R1	=	13.77	
R3	=		
E	=		
E1	=		
e min	=		
delta	=		
f	=	0.38	
beta	=	45°	

Powder Chamber

P1	=	12.80
P2	=	

Junction Cone

alpha	=	
S	=	
r1 min	=	
r2	=	

Collar

H1	=	
H2 ¹⁾	=	12.80

Projectile

G1 ¹⁾	=	12.08
G2	=	
F	=	
L3+G ¹⁾	=	44.06

Pressures (Energies)

Method Transducer

Pmax	=	3300 bar
PK	=	3795 bar
PE	=	4290 bar
M	=	17.50

Miscellaneous Dimensions

Fe ¹⁾⁴⁾	=	0.25
delta L	=	

CHAMBER MINI

Lengths

L1	=	
L2	=	
L3 ¹⁾	=	33.22

Breech

R ¹⁾	=	1.80
R1	=	13.87
R2	=	
R3	=	
r	=	

Powder Chamber

E	=	
P1 ¹⁾	=	12.86
P2	=	

Junction Cone

alpha	=	
S	=	
r1 max	=	
r2	=	

Collar

H1	=	
H2 ¹⁾	=	12.81

Commencement of Rifling

G1 ¹⁾ *	=	12.08
G ¹⁾	=	11.42
alpha1 *	=	10°
h	=	4.17
s	=	9.88
i ¹⁾ *	=	5°
w	=	

Barrel

F ¹⁾ *	=	11.81
Z ¹⁾	=	12.07

Grooves

b	=	4.06
N	=	6
u	=	457.00
Q	=	112.78 mm ²

Notes: 1) Check for safety reasons
4) Headspace on Rim
* Basic dimensions

Dimensions in << mm >>
Dimensions and Tolerances for Proof Barrels
see Appendix CR 1.