

# C.I.P.

## 375 Chey Tac

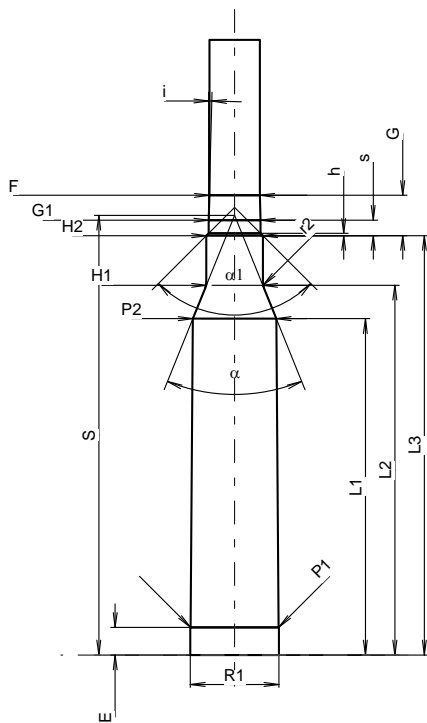
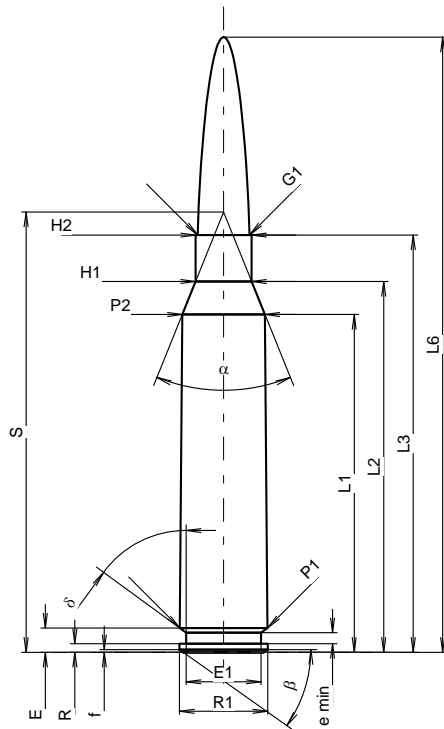
Country of Origin: US

TAB. I

Date 17-05-17

Revision

Alternative Names: 9,5 x 77



Scale 1:1.39

Dimensions in << mm >>  
Dimensions and Tolerances for Proof Barrels  
see Appendix CR1.

**CARTRIDGE MAXI****Lengths**

L1 <sup>1)</sup>	=	62.28	-0.20
L2 <sup>1)</sup>	=	68.37	-0.20
L3 <sup>1)</sup>	=	76.91	
L4	=		
L5	=		
L6	=	113.40	

**Case Head**

R	=	1.60	
R1	=	16.25	
R3	=		
E	=	4.47	
E1	=	13.80	
e min	=	2.00	
delta	=	53°44'	
f	=	0.50	
beta	=	35°19'59"	

**Powder Chamber**

P1	=	16.18	
P2 <sup>1)</sup> *	=	15.22	-0.20

**Junction Cone**

alpha <sup>*</sup>	=	43°54'38"	
S <sup>*</sup>	=	81.16	
r1 min	=		
r2	=		

**Collar**

H1 <sup>*</sup>	=	10.31	
H2 <sup>1)</sup>	=	10.31	

**Projectile**

G1 <sup>1)</sup>	=	9.52	
G2	=		
F	=	9.30	
L3+G <sup>1)</sup>	=	84.35	

**Pressures (Energies)****Method Transducer**

Pmax	=	4400 bar	
PK	=	5060 bar	
PE	=	5500 bar	
M	=	25.00	
EE	=	10000 Joule	

**Miscellaneous Dimensions**

Fe <sup>1)3)</sup>	=	0.10	
delta L	=	0.09	

Notes: 1) Check for safety reasons  
3) Headspace on Shoulder  
\* Basic dimensions

**CHAMBER MINI****Lengths**

L1	=	62.01	
L2	=	68.15	
L3 <sup>1)</sup>	=	77.30	

**Breech**

R	=		
R1	=	16.30	
R2	=		
R3	=		
r	=		

**Powder Chamber**

E	=	5.08	
P1 <sup>1)</sup>	=	16.23	
P2 <sup>*</sup>	=	15.37	

**Junction Cone**

alpha <sup>1)</sup> *	=	43°59'18"	
S <sup>*</sup>	=	81.04	
r1 max	=		
r2	=	3.05	

**Collar**

H1 <sup>*</sup>	=	10.41	
H2 <sup>1)</sup>	=	10.40	

**Commencement of Rifling**

G1 <sup>1)</sup> *	=	9.54	
G <sup>1)</sup>	=	7.44	
alpha1	=	90°	
h	=	0.43	
s <sup>*</sup>	=	2.86	
i <sup>1)</sup> *	=	1°30'	
w	=		

**Barrel**

F <sup>1)</sup> *	=	9.30	
Z <sup>1)</sup> *	=	9.53	

**Grooves**

b	=	2.57	
N	=	8	
u	=	330.20	
Q	=	70.32	mm <sup>2</sup>