



Trends in N₂O and SF₆ mole fractions in archived air samples from Cape Meares, Oregon (USA), 1978–1996

Terry C. Rolfe and Andrew L. Rice

Department of Physics, Portland State University, Portland, 97201, USA

Correspondence: Terry C. Rolfe (trolfe@pdx.edu)

Received: 2 February 2019 – Discussion started: 27 February 2019

Revised: 22 May 2019 – Accepted: 11 June 2019 – Published: 16 July 2019

Abstract. Quantifying historical trends in atmospheric greenhouse gases (GHGs) is important to understanding changes in their budgets and for climate modeling, which simulates historic and projects future climate. Archived samples analyzed using updated measurement techniques and calibration scales can reduce uncertainties in historic records of GHG mole fractions and their trends in time. Here, we present historical measurements of two important GHGs, nitrous oxide (N₂O) and sulfur hexafluoride (SF₆), collected at the midlatitude Northern Hemisphere station Cape Meares, Oregon (USA, 45.5° N, 124° W), between 1978 and 1996 in archived air samples from the Oregon Health and Science University – Portland State University (OHSU–PSU) air archive. N₂O is the third most important anthropogenically forced GHG behind carbon dioxide (CO₂) and methane (CH₄). SF₆ has a low abundance in the atmosphere, but is one of the most powerful GHGs known. Measurements of atmospheric N₂O made during this period are available for select locations, but before mid-1990 they have larger uncertainties than more recent periods due to advancements made in gas chromatography (GC) methods. Few atmospheric SF₆ measurements exist pre-1990, particularly in the Northern Hemisphere. The GC system used to measure N₂O and SF₆ mixing ratios in this work is designed to be fully automated, and is capable of running up to 15 samples per batch. Measurement precision (1σ) of N₂O and SF₆ is 0.16% and 1.1%, respectively (evaluated at 328.7 ppb and 8.8 ppt). Samples were corrected for detector response nonlinearity when measured against our reference standard, with the corrections determined to be 0.14 ppb ppb⁻¹ in N₂O and 0.03 ppt ppt⁻¹ in SF₆. The mixing ratio of N₂O in archived samples is found to be 301.5 ± 0.3 ppb in 1980 and rises to 313.5 ± 0.3 ppb in 1996. The average growth rate over this period is 0.78 ±

0.03 ppb yr⁻¹ (95% CI). The seasonal amplitude is statistically robust, with a maximum anomaly of 0.3 ppb near April and a minimum near November of -0.4 ppb. Measurements of N₂O match well with previously reported values for Cape Meares and other comparable locations. The mixing ratio of SF₆ in analyzed samples is found to be 0.85 ± 0.03 ppt in 1980 and rises to 3.83 ± 0.03 ppt in 1996. The average growth rate over this period is 0.17 ± 0.01 ppt yr⁻¹ (95% CI). The seasonality is statistically robust and has an annual peak amplitude of 0.04 ppt near January and a minimum amplitude of -0.03 ppt near July. These are unique SF₆ results from this site and represent a significant increase in the SF₆ data available during the 1980s and early 1990s. The mixing ratio and growth rate of SF₆ measured compares well to other Northern Hemisphere measurements over this period. From these N₂O and SF₆ measurements, we conclude that sample integrity is generally robust in the OHSU-PSU air archive for N₂O and SF₆.

1 Introduction

Anthropogenic sources of greenhouse gases (GHGs) have altered the atmospheric composition, resulting in a significant climate forcing of approximately 3 W m⁻² since 1750 (Myhre et al., 2013). Measurements of GHG mixing ratios since the industrial revolution constrain global budget uncertainties and interpret recent changes to source and sink processes (Prinn et al., 2000; Khalil et al., 2002; Saikawa et al., 2014). When projecting future GHG mixing ratios, many additional factors must be included in models such as climate feedback effects and possible changes in transport processes. Uncertainties in model predictions can be minimized if GHG

measurements are precise and span many different latitudes (Meinshausen et al., 2017).

When historical time series records are not available, past atmospheric GHG abundance can be evaluated using either archived air samples or by analyzing ice core and firn air. One significant advantage of using ice core and firn air for measuring past atmospheric mixing ratios of GHGs is that samples may be collected today that represent past conditions. However, ice core and firn samples are difficult to obtain due to the remoteness of the locations where the samples are collected (Greenland and Antarctica) and provide limited spatial information. Temporal uncertainties must also be evaluated when measuring ice core and firn samples due to diffusion and gravitational separation (Ishijima et al., 2007); samples are best represented by a mean age, limiting temporal resolution. By contrast, archived air samples are discrete in time and space, making them very valuable for evaluating past atmospheric abundance at specific periods in time. However, few air archives are available today. The most well-known air archive is that of Cape Grim, Tasmania (41° S, 145° E), in the Southern Hemisphere, which contains samples dating back to 1978 (Vollmer et al., 2018). However, archive samples may contain storage artefacts that can contaminate historical records and must be stored carefully to prevent damage or loss.

Nitrous oxide (N₂O) is the third most important GHG with anthropogenic sources after carbon dioxide (CO₂) and methane (CH₄). The global mean mixing ratio of N₂O in 2017 was 329.8 ppb with a mean annual trend of 0.85 ppb yr⁻¹ over the last 20 years (Dlugokencky et al., 2018). N₂O has a large global warming potential (GWP), 298 times that of CO₂ over a 100-year period and a global radiative forcing estimated at 0.19 W m⁻² since 1750 (Myhre et al., 2013). The long lifetime of this species (~ 120 years) results in most emitted N₂O reaching the stratosphere, where photooxidation is the primary source of stratospheric NO_x (“active nitrogen”). NO_x is the main natural catalyst of ozone (O₃) destruction (Crutzen, 1970).

Anthropogenic sources of N₂O account for roughly 40 % of all N₂O emissions, with natural sources accounting for the other 60 % (Ciais et al., 2013). Bottom-up calculations estimate anthropogenic production of 6.9 (2.7–11.1) TgN yr⁻¹ and natural production of 11 (5.4–19.6) TgN yr⁻¹. The uncertainty in these estimations is large, with 1σ error nearly ±50 %. Together with atmospheric measurements, top-down modeling better constrains the N₂O budget and reduces uncertainty in the global source. Sources of N₂O calculated this way estimate anthropogenic and natural source production of 6.5 (5.2–7.8) TgN yr⁻¹ and 9.1 (8.1–10.1) TgN yr⁻¹, respectively (Prather et al., 2012).

There are three major natural sources and six major anthropogenic sources of N₂O. Natural sources of N₂O are natural soils (3.3–9.0 TgN yr⁻¹), oceans (1.8–9.4 TgN yr⁻¹), and atmospheric chemistry (0.3–1.2 TgN yr⁻¹) (note: sources include the minimum and maximum estimates

provided from bottom-up calculations in Ciais et al., 2013). By far, the largest anthropogenic source is agriculture, which produces 1.7–4.8 TgN yr⁻¹, followed by industrial and fossil fuel sources (0.2–1.8 TgN yr⁻¹), biomass burning (0.2–1 TgN yr⁻¹), rivers and estuaries (0.1–2.9 TgN yr⁻¹), atmospheric deposition (0.4–1.3 TgN yr⁻¹), and human excreta (0.1–0.3 TgN yr⁻¹) (Ciais et al., 2013). More constraints on source production provided via atmospheric measurements are needed to improve estimates of individual source magnitudes.

The main loss mechanism for N₂O is destruction in the stratosphere through photolysis and the reaction with O(¹D) (Prather et al., 2015). Soils and the oceans can act as sinks for N₂O through microbial processes; however, because the production of N₂O is greater than what is consumed, the global net flux is positive. Estimates of the stratospheric sink account for 11.9 (11.0–12.8) TgN yr⁻¹ (Ciais et al., 2013).

Rising global mixing ratios of N₂O are due to the imbalance between the sources and the sinks. Based on a top-down constraint, the imbalance between sources and sinks is 3.6 (3.5–3.8) TgN yr⁻¹ (Ciais et al., 2013).

Models have shown that future climate conditions will likely amplify N₂O production via positive climate feedback effects, meaning a linear increase in time may underpredict future mixing ratios based on the current rate of change (Khalil and Rasmussen 1983; Stocker et al., 2013). To minimize uncertainty in the N₂O budget and in model projections, precise measurements of current and past atmospheric conditions from multiple global locations are needed. Measurements of atmospheric N₂O made prior to mid-1990 have larger uncertainties than more recent periods due to advancements made in gas chromatography (GC) methods (Prinn et al., 2000; Jiang et al., 2007; Hall et al., 2011). To reduce uncertainty during this period, archived samples may be analyzed using updated measurement techniques. Additionally, measurements of the isotopic composition of N₂O in archived samples can constrain the N₂O budget and changes in time due to characteristic isotopic effects in sources and sinks (Park et al., 2012; Snider et al., 2015).

Sulfur hexafluoride (SF₆) is an extremely potent GHG. Recent estimates calculated the GWP to be 22 800 (over 100 years compared to CO₂) and an atmospheric lifetime of 580–1475 years (Kovács et al., 2017; Ray et al., 2017). While SF₆ is one of the strongest GHGs controlled under emission regulations, it has a low global mixing ratio (9.3 ppt in the Northern Hemisphere in 2017), so it does not add significantly to climate forcing by itself (Prinn et al., 2018).

Sources of SF₆ are anthropogenic, with main uses being high-voltage insulation, magnesium production, and semiconductor manufacture (Maiss and Brenninkmeijer 1998; Olivier et al., 2005). Global production in 2008 was estimated to be 7.16 Gg yr⁻¹ (Levin et al., 2010). With a very low solubility and no reactivity in the lower atmosphere, the only known sink for SF₆ is loss in the mesosphere.

With almost all of the SF₆ that has been emitted since the industrial revolution to the atmosphere still present, global emissions can be accurately determined from observations of the atmospheric mixing ratio. Due to its long lifetime and anthropogenic origins, SF₆ is used as a validity check for atmospheric transport models (Levin and Hesshaimer, 1996; Patra et al., 2009). It has been estimated that 94 % of all SF₆ emissions originate in the Northern Hemisphere (Maiss et al., 1996), explaining a north–south hemispheric gradient in the SF₆ mixing ratio of about 0.4 ppt (Levin et al., 2010).

Observations of the growth rate have been reported by several studies (Levin et al., 2010; Rigby et al., 2010; Hall et al., 2011). The trend in SF₆ has varied over the last 30+ years and while the magnitude of the growth rate differs slightly between sample locations, several features are prominent. From the early 1970s to the mid-1990s, the trend steadily increased from 0.1 ppt yr⁻¹ and peaked near 0.26 ppt yr⁻¹. The trend then slowly declined to ~0.20 ppt yr⁻¹ until the early 2000s, when the trend increased again. The inferred global emission of SF₆ from the trend increases nearly linearly from 2 Gg yr⁻¹ in the late 1970s to over 6 Gg yr⁻¹ in 1994–1995 (Levin et al., 2010; Rigby et al., 2010).

Reported atmospheric measurements of SF₆ before the year 1987 are few. In the Southern Hemisphere, Cape Grim, Tasmania (41° S, 145° E), archive measurements date back to 1978 (Levin et al., 2010). Northern Hemisphere measurements are reported dating from 1973 from Trinidad Head, CA (41° N, 121° W), but few are prior to 1990 (Rigby et al., 2010). A more complete record of past SF₆ atmospheric mixing ratios is desirable.

The Oregon Health and Science University–Portland State University (OHSU-PSU) air archive includes archived air samples collected from Cape Meares, Oregon (45.5° N, 124.0° W), in the late 1970s, 1980s, and 1990s by the Department of Environmental and Biomolecular Systems, Oregon Graduate Institute of Science and Engineering (currently OHSU). The samples were collected by air liquefaction, where ~1000 L (STP) of dried air (using a condenser) was compressed to 3000 kPa into 33 L electropolished stainless steel canisters. Today, archive samples are stored at Portland State University and contain pressures ranging from 60 to 2000 kPa (Rice et al., 2016). Here, we present details of the analytical technique employed and results from the analysis of 159 Cape Meares air samples from the OHSU-PSU air archive.

2 Methods

2.1 Gas chromatography analytical system

The gas chromatography (GC) analytical system (Fig. 1) employed at Portland State University for measuring N₂O and SF₆ in archived air samples is based on the configuration used by Hall et al. (2007) and references therein.

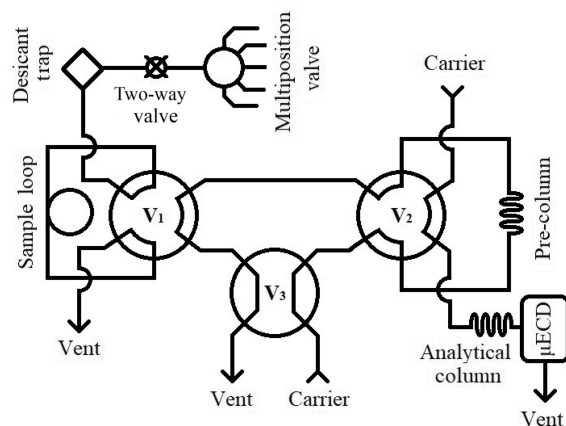


Figure 1. Schematic view of the analytical system for sample evaluation. The system is shown in “back-flush” mode. V₁ represents Valve 1, V₂ represents Valve 2, and V₃ represents Valve 3.

We use an Agilent 6890N gas chromatograph fitted with a micro-electron capture detector (μECD, Agilent Technologies, Santa Clara, CA). Two Poropak Q 80/100 mesh columns (1.8 m × 2 mm i.d. pre-column, 3.7 × 2 mm i.d. analytical column) achieve peak separation. The carrier gas is P5 (99.999 %, Airgas, Portland, OR) equipped with O₂ and hydrocarbon traps (Restek, Bellefonte, PA) to further reduce impurities and to significantly improve baseline signal stability. Two 6-port switching valves (V₁ and V₂), a 4-port switching valve (V₃), and a 16-port multi-position valve (Valvo Instrument Company Inc., Houston, TX) are controlled by Chemstation (V1.A, Agilent Technologies Inc., Santa Clara, CA).

A sample run begins in “back-flush” mode, with the carrier gas flushing the pre-column in the reverse analytical direction to remove the buildup of water on the analytical column that would otherwise eventually elute to the μECD and affect signal baseline. A 16-port multi-position valve is used to introduce pressurized samples into the system; a two-way electric valve (Clippard, Cincinnati, OH) is used to stop sample flow to the sample loop and prevent sample loss. Samples initially pass through a desiccant trap (Perma Pure, Toms River, NJ), before flushing a 10 mL sample loop at 60 mL min⁻¹ for 1.5 min. At this time, V₃ rotates, which places the system in “front-cut” mode and allows the sample loop to equilibrate. V₁ rotates at 1.75 min and allows the carrier gas to carry the sample N₂O and SF₆ to the pre-column where separation from O₂ and H₂O occurs. After O₂ elutes through the pre-column to vent, at 3 min V₂ rotates and places the pre-column in line with the analytical column, transferring N₂O and SF₆ to the analytical column. At 4.25 min, the sample has reached the analytical column and V₁, V₂, and V₃ rotate. This begins the back-flush of the pre-column while the analytes are carried to the μECD on the analytical column.

Oven and detector temperatures are maintained at 56 and 310 °C, respectively. Carrier gas flow rates are 40 mL min⁻¹

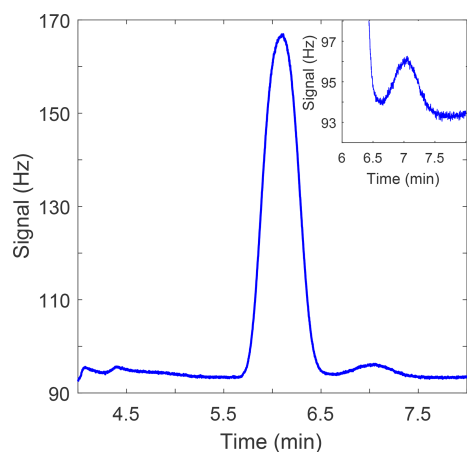


Figure 2. Sample chromatogram showing N₂O peak at a retention time of 6.1 min and the SF₆ peak at a retention time of 7.0 min. The inset in the upper-right corner shows an enlarged plot of the SF₆ peak.

and are maintained by the electronic pressure control of the 6890N. The N₂O peak retention time is 6.1 min and the SF₆ peak retention time is 7.0 min (Fig. 2). Peak integration is accomplished via Chemstation based on peak height.

All measurements of N₂O and SF₆ are made relative to a calibrated whole air sample on the NOAA-06A N₂O scale and NOAA-14 SF₆ scale (NOAA Tank CB11406-A, 328.71 ± 0.5 ppb N₂O, 8.76 ± 0.06 ppt SF₆), hereafter referred to as the NOAA reference gas. Each sample is analyzed six times and bracketed by six reference gas runs used to measure instrument response and track signal drift. The GC-μECD analytical system was evaluated for precision, reproducibility, and linearity prior to its application to measure mole fractions in historic archive samples.

2.2 Precision and reproducibility of analytical system

Precision of measurement was determined by repeated analysis of the reference standard. Histogram distributions in Fig. 3 show 180 residuals (expressed as a percent relative standard deviation) collected from 30 sets of 6 measurements of N₂O (Fig. 3a) and SF₆ (Fig. 3b) of the NOAA reference gas. Both N₂O and SF₆ compare well to a normal distribution (black dashed lines), with chi-square goodness of fit *p* values of 0.16 and 0.35, respectively. For N₂O, 1σ = 0.16% whereas for SF₆, 1σ = 1.1%. This corresponds to an uncertainty of ±0.52 ppb for N₂O and ±0.10 ppt for SF₆. The mean measurement uncertainty (1σ) of OHSU-PSU air archive samples for N₂O is 0.23%. The mean measurement uncertainty (1σ) of SF₆ in the OHSU-PSU air archive samples ranges between 6.5% for samples below 1 ppt and 2.5% for samples at 4 ppt.

Measurement reproducibility was evaluated by repeatedly measuring a dry air sample (Breathing Air, Airgas, Portland, OR) against the NOAA reference gas and evaluating consis-

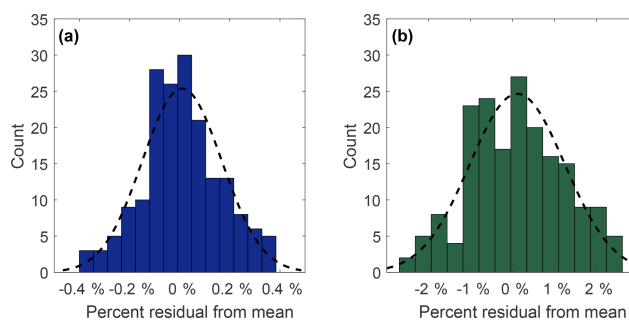


Figure 3. Measurement precision for N₂O (a) and SF₆ (b) expressed as percent relative standard deviation from 30 sets of 6 measurements of the NOAA reference gas. The black dotted line represents a normal distribution curve with the same mean and standard deviation. The standard deviation for N₂O and SF₆ is 0.16% and 1.1%, respectively.

tency from the standard deviation of the results. The sample was measured 18 times over 2 weeks with mean measured mixing ratios of N₂O and SF₆ of 390.9 ppb and 13.2 ppt, respectively. The standard deviations in N₂O and SF₆ measurements are 0.46 ppb and 0.11 ppt, respectively, which are indistinguishable from 1σ precision for a set of six NOAA reference gas measurements.

2.3 Linearity of the GC-μECD system

To ensure accurate results for this work, the detector response was evaluated over the mole fraction range expected for N₂O and SF₆ in the OHSU-PSU air archive. The range in the Northern Hemisphere N₂O mole fraction between 1978 and 1996 is between 295 and 314 ppb (Prinn et al., 2000; Ciais et al., 2013). Archived air sample measurements of the Northern Hemisphere SF₆ mole fraction from Trinidad Head, CA, measure below 1 ppt in the 1970s and rise to nearly 4 ppt in 1997; Southern Hemisphere measurements from Cape Grim, Tasmania, and the South Pole show a similar range (Levin et al., 2010; Rigby et al., 2010).

A series of manometric dilutions were prepared from the NOAA reference gas at Portland State University to evaluate the μECD response over the historical N₂O and SF₆ mole fraction sample range. To characterize the N₂O response, the N₂O reference gas was diluted with ultrapure air (zero grade, Airgas, Portland, OR; N₂O and SF₆ at mixing ratios below detection limits) using capacitance manometers (MKS Instruments, Andover, MA; range 0–10 and 0–1000 torr) into 3 L electropolished stainless steel canisters (precision ±0.01%). The range of N₂O mixing ratios produced in the 3 L canisters was 32.2–321.4 ppb. The error introduced from the manometric process is small when compared with measurement uncertainty (maximum 1σ error of ±0.07 ppb for N₂O).

To characterize the SF₆ response at low part per trillion (ppt) mixing ratios requires consideration of the effect of the

Table 1. Characteristics of 12 manometric N₂O dilution samples prepared at Portland State University.

Canister ID	$P_{\text{Ref}}^{\text{a}}$ (kPa)	$P_{\text{Total}}^{\text{b}}$ (kPa)	Expected ^c N ₂ O response	Measured ^d N ₂ O response	Measured ^e N ₂ O (ppb)	N ₂ O 1 σ^{f} (ppb)
1.7	97.0	132.4	0.7327	0.7673	252.21	0.78
1.14	36.6	132.2	0.2767	0.3262	107.22	0.45
1.5	61.5	132.9	0.4627	0.5157	169.52	0.51
2.14	21.0	132.6	0.1585	0.1941	63.79	0.27
2.7	13.0	132.5	0.0978	0.1239	40.73	0.44
2.5	80.5	132.2	0.6092	0.6535	214.80	0.52
3.7	127.0	132.8	0.9559	0.9618	316.15	0.83
3.5	117.0	132.8	0.8813	0.8981	295.20	0.87
3.14	123.8	132.7	0.9326	0.9423	309.75	0.85
4.5	129.7	132.7	0.9778	0.9813	322.56	0.96
4.14	119.1	132.9	0.8959	0.9085	298.62	0.71
4.7	120.9	132.5	0.9129	0.9226	303.26	0.80

^a P_{Ref} is the NOAA reference gas pressure (in kPa) introduced to the canister. ^b P_{Total} is the final pressure (in kPa) of the canister after balancing with ultrapure air. ^c Expected response is calculated from the $P_{\text{Ref}}/P_{\text{Final}}$ fraction.

^d Measured N₂O response of the μECD . ^e Measured N₂O in parts per billion (ppb). ^f N₂O 1 σ (ppb) is from the combined uncertainty of the sample and the surrounding NOAA reference.

Table 2. Characteristics of nine manometric SF₆ dilution samples prepared at Portland State University.

Canister ID	$P_{\text{Ref}}^{\text{a}}$ (kPa)	$P_{\text{Scotty}}^{\text{b}}$ (kPa)	$P_{\text{Total}}^{\text{c}}$ (kPa)	Expected ^d SF ₆ response	Measured ^e SF ₆ response	Measured ^f SF ₆ (ppt)	SF ₆ 1 σ^{g} (ppt)
1.14	97.0	–	132.4	0.7327	0.7476	6.55	0.12
3.5	117.0	–	132.8	0.8812	0.8943	7.83	0.24
3.14	123.8	–	132.7	0.9326	0.9414	8.25	0.10
1.1	29.6	31.0	132.6	0.2230	0.2443	2.14	0.06
1.18	11.9	36.9	133.0	0.0896	0.1199	1.05	0.07
1.28	8.9	37.6	132.3	0.0674	0.1153	1.01	0.06
2.1	18.7	34.8	131.9	0.1418	0.1644	1.44	0.08
2.18	75.9	16.0	132.2	0.5740	0.5879	5.15	0.15
2.28	52.9	23.5	132.1	0.4002	0.4110	3.60	0.12

^a P_{Ref} is the NOAA reference gas pressure (in kPa) introduced to the canister. ^b P_{Scotty} is the 1 ppm N₂O balanced with He (in kPa) introduced to the canister. ^c P_{Total} is the final pressure (in kPa) of the canister after balancing with ultrapure air. ^d Expected SF₆ response is calculated from the $P_{\text{Ref}}/P_{\text{Final}}$ fraction. ^e Measured SF₆ response of the μECD . ^f Measured SF₆ in parts per trillion (ppt). ^g SF₆ 1 σ (ppt) is from the combined uncertainty of the sample and the surrounding NOAA reference.

falling N₂O tail on the chromatogram baseline. To properly account for this interference, SF₆ dilutions at low mixing ratios (0.6–6.0 ppt) must have N₂O mole fractions that reflect expected mixing ratios in archived samples (300–315 ppb). Prepared dilutions of SF₆ included the addition of an aliquot of 1 ppm N₂O ($\pm 5\%$, Scott Specialty Gases, St. Louis, MO) into the canister prior to dilution with ultrapure air. The maximum error (1 σ) in SF₆ introduced from the manometric process is small (0.001 ppt) compared with the measurement uncertainty. However, SF₆ present in either ultrapure air dilution gas or the N₂O aliquot at trace levels below the detection limit of our measurement (< 0.1 ppt) contribute to the uncertainty in prepared samples. All dilution samples were measured at PSU on the GC- μECD system over several weeks to account for instrument drift. Tables 1 and 2 provide dilution sample pressures, calculated and observed μECD response,

and measured N₂O and SF₆ mole fractions with the error in measurement used to characterize the GC- μECD linearity.

Results of linearity experiments are shown in Fig. 4. For N₂O, a slope of 0.8747 ± 0.028 (95 % CI) is found over the data range from 289.7 to 328.7 ppb, which is most relevant for this work. A linear fit is a good model for the deviation from expected over this range ($R^2 = 0.964$); additional polynomial terms are not statistically robust. This results in sample measurements deviating from expected by ~ 0.14 ppb ppb^{-1} N₂O difference from the NOAA reference. For the range of the N₂O in the OHSU-PSU air archive, all N₂O samples are adjusted for a linear correction of the fol-

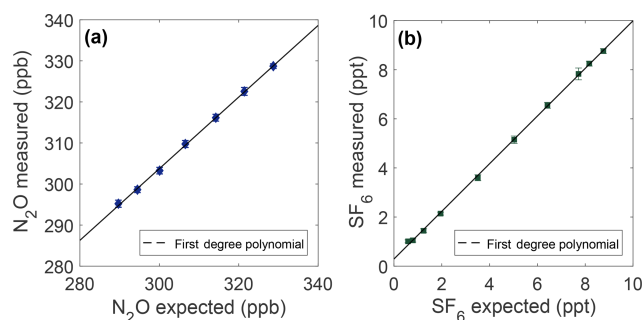


Figure 4. Measurement linearity from plots of the measured mole fraction vs. the expected mole fraction of N₂O (a) and SF₆ (b). The expected mole fraction is calculated from the NOAA reference mole fraction (328.71 ppb N₂O and 8.76 ppt SF₆) after dilution with ultrapure air. Error bars represent 1 σ total uncertainty.

lowing form:

$$[\text{N}_2\text{O}]_X = a_1[\text{N}_2\text{O}]_Y + a_2 \quad (1)$$

$$a_1 = 1.143 \pm 0.037 \quad (95\% \text{ CI}) \quad (2)$$

$$a_2 = -47.24 \pm 11.49 \quad (95\% \text{ CI}), \quad (3)$$

where $[\text{N}_2\text{O}]_Y$ is the response evaluated N₂O mole fraction and $[\text{N}_2\text{O}]_X$ is the corrected value. The slope and y intercept, as well as their 95 % confidence intervals, are represented by a_1 and a_2 , respectively. This correction is applied to all sample N₂O measurements (corrected values ranging between 298.9 and 314.8 ppb).

The entire NOAA reference gas dilution range for N₂O (32–321 ppb) results in a deviation that can be adequately modeled using a third degree polynomial. The linear fit discussed above is indistinguishable from the full third degree polynomial over the N₂O mixing ratio range of the OHSU-PSU air archive. However, if measuring N₂O samples with a difference of more than 80 ppb compared with the NOAA reference gas, the full third degree polynomial is necessary to correct for the nonlinear response in the μ ECD.

For SF₆, the prepared sample range over which the linear correction is applied is 0.59–8.76 ppt, which is most relevant for this work. The slope of the SF₆ linear fit is 0.9728 ± 0.017 (95 % CI) and is a good model for the deviation from expected over this range ($R^2 = 0.9995$). This results in a deviation from expected of ~ 0.03 ppt ppt⁻¹ SF₆ difference from the NOAA reference when measuring samples. All SF₆ measurements are adjusted for a linear correction of the following form:

$$[\text{SF}_6]_X = b_1[\text{SF}_6]_Y + b_2 \quad (4)$$

$$b_1 = 1.028 \pm 0.018 \quad (95\% \text{ CI}) \quad (5)$$

$$b_2 = -0.294 \pm 0.099 \quad (95\% \text{ CI}), \quad (6)$$

where $[\text{SF}_6]_Y$ is the response evaluated SF₆ mole fraction and $[\text{SF}_6]_X$ is the corrected value. The slope and y intercept, as well as their 95 % confidence intervals, are represented by

b_1 and b_2 , respectively. This correction is applied to all sample SF₆ measurements (corrected values ranging between 0.6 and 4.3 ppt).

Detector response nonlinearity has been evaluated in previous work by other groups on GC-ECD systems. For N₂O, deviations from expected of ~ 0.2 ppb ppb⁻¹ difference from the reference gas are typical when in the linear range (Schmidt et al., 2001; Hall et al., 2007). These are similar to the value reported here for the μ ECD. Over larger ranges, a similar nonlinear response curve is also reported. SF₆ nonlinearity reported in Levin et al. (2010) has a similar curvature to the full N₂O nonlinear response previously discussed. However, this curvature is not observed to be significant over the range of SF₆ dilutions conducted here.

3 Results and discussion

3.1 Air archive mole fractions of N₂O and SF₆

Measurements of N₂O and SF₆ mole fractions from 159 samples of the OHSU-PSU air archive were initially filtered for analysis using a 7 median absolute deviation (7MAD) noise filter to remove far outliers. Polynomial fits (first degree for N₂O and second degree for SF₆) were then applied to the data. Residual values outside of 2 σ for N₂O and 3 σ for SF₆ were removed for further data analysis. The entire process removed 12 data points for N₂O and 4 data points for SF₆ used in the analysis.

Deseasonalized measurements of N₂O and SF₆ from Cape Meares are shown in Fig. 5a and b, respectively. A locally weighted linear regression (LOWESS) is utilized to smooth the data using a 3 year smoothing window (Cleveland and Devlin 1988). The confidence intervals around regressions are calculated by bootstrapping residual variability 1000 times. The regression results in a N₂O mole fraction of 301.5 ± 0.3 ppb (1 σ) in 1980 that increases roughly linearly to the mid-1990s, where the mixing ratio is 313.5 ± 0.3 ppb (1 σ) in 1996.

Observations of the N₂O mole fraction match well with previously published measurements of N₂O from Cape Meares between 1978 and 1998 of 301.2 ppb in 1980 and 313–314.5 ppb in 1996 on the SIO-1998 N₂O scale (Prinn et al., 1990, 2000; Khalil et al., 2002). The N₂O scale difference between SIO-1998 and NOAA-06 is minimal (Hall et al., 2007). Additional measurements by the Advanced Global Atmospheric Gases Experiment (AGAGE) and NOAA/ESRL (on the SIO-1998 N₂O and NOAA-06 N₂O scales, respectively) are reported from comparable sample locations. Trinidad Head, CA (41° N, 121° W), Mace Head, Ireland (53° N, 10° W), and Niwot Ridge, CO (40° N, 106° W), all measure ~ 313 ppb in 1996 (Prinn et al., 2000; Hall et al., 2007). Together, these comparisons indicate that the N₂O in the archived samples has stored well.

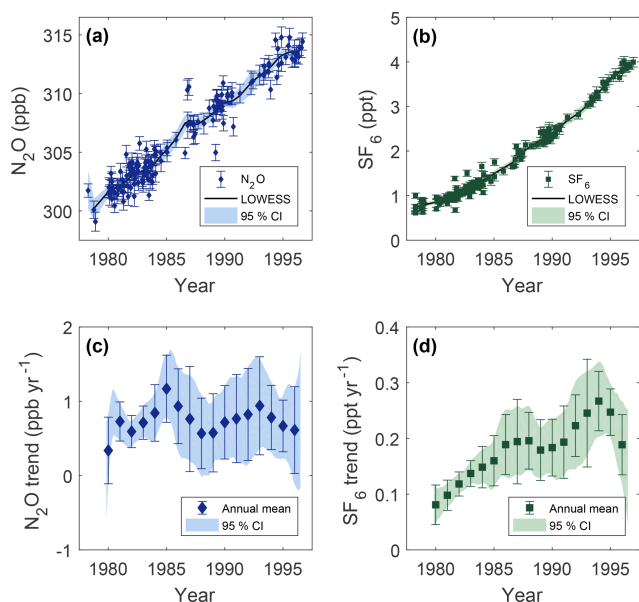


Figure 5. Deseasonalized measurements of mole fraction vs. date of collection for N₂O (a) and SF₆ (b), and annual trends in time from Cape Meares, Oregon, for N₂O (c) SF₆ (d). Error bars are 1σ uncertainty. The solid black lines are LOWESS fit to the data using a smoothing window of 3 years, and shaded areas are 95 % confidence intervals in the LOWESS fit calculated from bootstrapping residual variability 1000 times.

The measured SF₆ mixing ratio in archived Cape Meares samples is determined to be 0.85 ± 0.03 ppt (1σ) in 1980 and increases to a mixing ratio of 3.83 ± 0.03 ppt (1σ) in 1996. Cape Meares does not have previously reported measurements of SF₆ to compare with directly. Measurements of SF₆ from Trinidad Head, CA, are reported to be ~ 0.85 ppt in 1980 and ~ 3.73 ppt in 1996 on the SIO-2005 SF₆ scale (Rigby et al., 2010). To convert to the NOAA-06 SF₆ scale, values measured on the SIO-2005 SF₆ scale are divided by a conversion factor of 0.9991 (Hall et al., 2014). In 1996, values of 3.87, 3.87, and 3.78 ppt are reported for Alert, Canada (82° N, 62° W), Barrow, AK (71° N, 157° W), and Niwot Ridge, CO, respectively, on the NOAA-06 SF₆ scale (Hall et al., 2011). At these SF₆ mixing ratios, the difference between the NOAA-06 scale and the NOAA-14 scale is minimal. Cape Meares SF₆ measured values compare well with these Northern Hemisphere locations.

In the Northern Hemisphere, maximum background mixing ratio measurements of SF₆ are reported from mid-to-high latitudes (Geller et al., 1997). For the year 1994, measurements from Fraserdale, Canada (50° N, 82° W), are reported to be 0.14 ppt higher than samples measured from Izaña, Tenerife (28° N, 16° W) (Maiss et al., 1996). This difference is explained by the vast majority of SF₆ emissions coming from the midlatitudes in the Northern Hemisphere (Maiss and Brenninkmeijer 1998; Levin et al., 2010; Rigby et al., 2010). The measured SF₆ mixing ratios from Cape Meares,

also a midlatitude Northern Hemisphere site, appear to fit in well with the expected meridional gradient when comparing to previously mentioned reported values.

Southern Hemisphere measurements of SF₆ from archived atmospheric samples from Cape Grim, Tasmania (41° S, 145° E), and Neumayer, Antarctica (70° S, 8° W), are ~ 0.6 – 0.7 ppt in 1980 and ~ 3.4 – 3.5 ppt in 1996 on the SIO-2005 and University of Heidelberg SF₆ scales (Levin et al., 2010, Rigby et al., 2010). As with the SIO-2005 SF₆ scale, the NOAA-06 and University of Heidelberg scale differences are small. To convert to the NOAA-06 SF₆ scale, values measured on the University of Heidelberg SF₆ scale are divided by a conversion factor of 0.9954 (Hall et al., 2014). Including a scale correction, Cape Meares SF₆ measurements are higher than Cape Grim and Neumayer during this period by 0.2–0.4 ppt. Much or all of this difference can be explained by an interhemispheric north–south difference of 0.3–0.4 ppt (Levin et al., 2010).

3.2 Growth rate in N₂O and SF₆

The mean secular trend between 1978 and 1996 for N₂O and SF₆ is 0.78 ± 0.03 ppb yr⁻¹ (95 % CI) and 0.17 ± 0.01 ppt yr⁻¹ (95 % CI), respectively, and is determined by applying a linear fit to deseasonalized data over this time period. These trends translate to annual increases of ~ 0.25 % and ~ 0.1 % for N₂O and SF₆, respectively. Annual trends for N₂O and SF₆ at Cape Meares, Oregon, are determined from the derivative of the deseasonalized localized regression (Fig. 5c, d). Uncertainty bands are generated from regressions of bootstrapped variability. Data points represent the mean annual trend with error bars equal to $\pm 1\sigma$ of the trend over the year.

The mean annual trend in N₂O (Fig. 5c) ranges between 0.6 and 1.2 ppb yr⁻¹. All years between 1980 and 1996 show a positive rate of change significant at the 95 % confidence level. The uncertainty in the annual trend is smallest in the early 1980s, at ± 0.15 ppb yr⁻¹ (95 % CI), where the largest amount of data is available (~ 50 % of samples are between 1980 and 1985). After 1985, uncertainty in the annual trend becomes ± 0.5 ppb yr⁻¹ (95 % CI). This relatively large uncertainty results in an annual growth rate that is statistically indistinguishable between years.

A previously reported secular trend of N₂O found between 1978 and 1998 for Cape Meares is 0.74 ± 0.02 ppb yr⁻¹, which is indistinguishable from our result (Prinn et al., 2000). The global secular trend of N₂O for the period from 1985 to 1996 reported by Khalil et al. (2002) is 0.69 ± 0.03 ppb yr⁻¹, which is also compatible with our trend at Cape Meares.

The SF₆ annual trend (Fig. 5d) from the Cape Meares analysis increases from 0.07 ± 0.03 ppt yr⁻¹ (95 % CI) in 1980 to 0.26 ± 0.05 ppt yr⁻¹ (95 % CI) in 1994. The average rate of change in the growth rate (second derivative of mole fraction vs. time) over this period is 0.014 ppt yr⁻². The increase in the growth rate over this period is statistically significant at

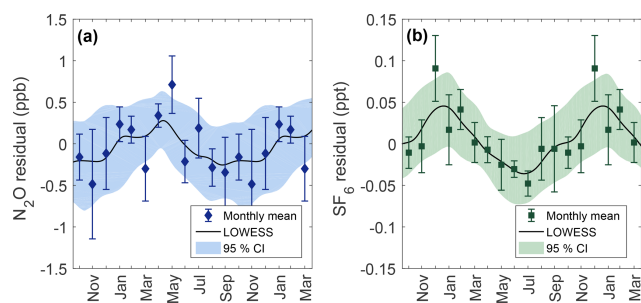


Figure 6. Seasonality for N₂O (a) and SF₆ (b) calculated from the residuals of observed data points to the secular trend. The black line is a LOWESS fit to residuals with a smoothing window of 1 month. Data points show the observed monthly mean residual after binning by month with error bars representing the standard error within the month. Shaded areas are 95 % CI calculated from 1000 bootstrapped LOWESS fits while including the measurement uncertainty to each data point.

high levels of confidence (95 %). After 1994, we measure a decrease in the growth rate, although this decline is not statistically significant at high levels of confidence over this short time interval.

Comparable trends in SF₆ measured at other locations are available for the mid-1990s. The average global growth rate of SF₆ in 1994 was reported at 0.23 ppt yr⁻¹ in the Northern Hemisphere (Maiss et al., 1996). Alert, Canada, and Izaña, Tenerife, are observed to have maximum trends of 0.26 ppt yr⁻¹ in mid-1994 and at the beginning of 1995 (Levin et al., 2010), respectively, which are compatible with results presented here. This localized maximum in the growth rate is also present in some Southern Hemisphere observations of SF₆ at a similar time; Neumayer, Antarctica shows a maximum trend of 0.25 ppt yr⁻¹ in 1995–1996 (Levin et al., 2010). This finding is consistent with a peak in SF₆ emissions as reported by the European Database for Global Atmospheric Research (EDGAR, v4.2).

Another feature observed in the SF₆ trend from Cape Meares is a local maximum in the growth rate near 1987 (Fig. 5d). Notably, however, not all datasets agree. The growth rate reported from Neumayer, Antarctica, has this feature during a similar period (Levin et al., 2010), but the trend reported at Cape Grim, Tasmania, does not show this local maximum (Rigby et al., 2010). Due to the large uncertainty from the few archived samples available during that time period, this local maximum is not statistically distinguishable from surrounding years at high levels of confidence in the Cape Meares analysis; thus, this result is merely suggestive. Additional evidence is needed to corroborate this finding.

3.3 Seasonality in the N₂O and SF₆ mole fraction

Seasonal behavior for N₂O and SF₆ are shown in Fig. 6 and are determined from residuals to the secular trend. The N₂O seasonal cycle at Cape Meares shows a maximum near April and May of 0.3 ppb and an extended minimum from September through December of −0.4 ppb. Although there is considerable uncertainty surrounding monthly means, the difference between the spring maximum and fall minimum is statistically robust at high levels of confidence (two-sample KS test, p value = 0.003).

The seasonal amplitude matches well with previously reported Northern Hemisphere magnitudes of ±0.4 ppb (Liao et al., 2004). Other midlatitude Northern Hemisphere sites also show a seasonal phase similar to that observed at Cape Meares. N₂O seasonality reported at Mace Head, Ireland, has a maximum near April and a minimum near August and September (Nevison et al., 2004; Jiang et al., 2007), and Trinidad Head, CA, seasonality has a maximum near late May and a broad minimum from September to January (Nevison et al., 2007).

In general, the N₂O seasonal amplitude is known to vary strongly with latitude, e.g., 0.29 ppb at the South Pole (90° S, 102° W) and 1.15 ppb at Alert, Canada (Jiang et al., 2007). This is attributed in part to the stronger branch of the Brewer–Dobson circulation in the Northern Hemisphere which also explains the high-latitude minimums in late-summer months related to the influx of N₂O-depleted air from the stratosphere during the spring (Liao et al., 2004; Nevison et al., 2004). Aside from atmospheric circulation, N₂O seasonality may also be influenced by regional sources. Lueker et al. (2003) suggested that local maximums at Trinidad Head may reflect the influence of strong coastal upwelling. Similarly located in the eastern Pacific, Cape Meares may also be subject to coastal upwelling influences. Isotopic analysis or modeling of transport effects and source influence would be useful to help interpret seasonal behavior of N₂O at Cape Meares.

Seasonality for SF₆ shows a maximum between December and February of 0.04 ppt and a minimum near July of −0.03 ppt. The difference between the winter maximum and summer minimum is statistically significant (two-sample KS test, p value = 0.004). SF₆ seasonality has not previously been reported for Cape Meares.

Some seasonality in Northern Hemisphere observations of SF₆ is reported in the literature at select locations. Barrow, AK, has a minimum in September and October with a broad maximum from December to June (Patra et al., 2009). Alert, Canada, shows a strong minimum in October, although a maximum is not clearly defined (Wilson et al., 2014). Continental sites such as Niwot Ridge show large interannual variability (IAV) but have little distinguishable seasonality (Patra et al., 2009).

SF₆ seasonality at Cape Grim has been reported to have an amplitude of ± 0.01 ppt with a maximum in September and October and a minimum near February (Nevison et al., 2007; Wilson et al., 2014). The seasonality phase of Cape Grim is nearly antiphase of the Cape Meares results reported here, although the amplitude is a factor of 4 smaller at Cape Grim. Similar to N₂O, the seasonal amplitude is expected to be larger in the Northern Hemisphere than in the Southern Hemisphere (Nevison et al., 2007). Because sources of SF₆ are aseasonal and sinks are essentially zero in the troposphere; the driving force behind the observed seasonality in SF₆ is considered to be atmospheric transport (Patra et al., 2009). Processes such as convection, boundary layer mixing, stratosphere–troposphere exchange (STE), and shifts in the intertropical convergence zone can potentially influence the observed seasonality at a location. Seasonal transport from STE adds relatively depleted SF₆ air into the troposphere from the stratosphere. The seasonal phase of SF₆ observed at Cape Meares closely reflects seasonality phasing observed in CFCs in the Northern Hemisphere driven by STE (Liang et al., 2008). Modeling atmospheric transport effects on SF₆ at Cape Meares could help confirm amplitude and phase reported here.

4 Conclusions

We measured 159 samples from the OHSU-PSU air archive from Cape Meares, Oregon (45.5° N, 124.0° W), for N₂O and SF₆ mole fraction using GC- μ ECD spanning the period from April 1978 to December 1996. The GC- μ ECD system is designed to be fully automated, and is capable of running multiple pressurized samples per run. Measurement precision of N₂O and SF₆ is 0.16 % and 1.1 %, respectively. Sample mixing ratios were also corrected for detector response nonlinearity when measured against our reference gas. The linearity correction was found to be 0.14 ppb ppt⁻¹ and 0.03 ppt ppt⁻¹ for N₂O and SF₆, respectively.

The analysis of archived air samples gives a mole fraction of N₂O in 1980 of 301.5 ± 0.3 ppb (1σ), which rises to 313.5 ± 0.3 ppb (1σ) in 1996. The average growth rate over this period is 0.78 ± 0.03 ppb yr⁻¹ (95 % CI). Seasonality shows a peak amplitude of 0.3 ppb near April and a minimum amplitude of -0.4 ppb near November and is statistically robust. Our measurements of N₂O were found to match well with previously reported values for Cape Meares and other comparable Northern Hemisphere midlatitude locations.

For SF₆, the mixing ratio in 1980 is found to be 0.85 ± 0.03 ppt (1σ), increasing to 3.83 ± 0.03 ppt (1σ) in 1996. The average growth rate over this period is 0.17 ± 0.01 ppt yr⁻¹ (95 % CI). Seasonality shows a peak amplitude of 0.04 ppb near January and a minimum amplitude of -0.03 ppt near July. There are no previous reported measurements of SF₆ from Cape Meares to compare against directly. SF₆ measurements compare well to other Northern Hemisphere measure-

ments from Levin et al. (2010), Rigby et al. (2010), and Hall et al. (2011) over similar time periods when including spatial variability. From these N₂O and SF₆ measurements, we can conclude the sample integrity is robust within the OHSU-PSU air archive from Cape Meares, Oregon. The resulting dataset of SF₆, in particular, contributes to a better characterization of historic SF₆ growth rate and its atmospheric variability over this period of dramatic growth.

Data availability. A supplementary dataset of N₂O and SF₆ mole fractions at Cape Meares, Oregon, measured for this work from the OHSU-PSU air archive are available to the scientific community (upon publication) and may be obtained by contacting the corresponding author.

Supplement. The supplement related to this article is available online at: <https://doi.org/10.5194/acp-19-8967-2019-supplement>.

Author contributions. Both authors (TR and AR) worked closely together in the development and implementation of the GC technique used to make the mole fraction measurements of N₂O and SF₆. Data curation and analysis were also completed by both authors. The original draft of this paper was prepared by TR; AR was responsible for the review and editing of the paper.

Competing interests. The authors declare that they have no conflict of interest.

Acknowledgements. This study was supported by the US National Science Foundation (Atmospheric and Geospace Sciences grant no. 0952307). The authors would like to recognize Johnathan Radda for his assistance developing the GC- μ ECD technique used to measure the samples, Reinhold A. Rasmussen for help with establishing the OHSU-PSU air archive, and Christopher Butenhoff and M. Aslam Khan Khalil for their assistance with data analysis and interpretation.

Financial support. This research has been supported by the US National Science Foundation (grant no. 0952307).

Review statement. This paper was edited by Gabriele Stiller and reviewed by Andreas Engel, Brad Hall, Eric Ray, and one anonymous referee.

References

- Ciais, P., Sabine, C., Bala, G., Bopp, L., Brovkin, V., Canadell, J., Chhabra, A., DeFries, R., Galloway, J., Heimann, M., Jones, C., Le Quéré, C., Myneni, R. B., Piao, S., and Thornton, P.: Carbon

- and Other Biogeochemical Cycles, in: *Climate Change 2013: The Physical Science Basis, Contribution of Working Group I to the Fifth Assessment Report of the Intergovernmental Panel on Climate Change*, edited by: Stocker, T. F., Qin, D., Plattner, G.-K., Tignor, M., Allen, S. K., Boschung, J., Nauels, A., Xia, Y., Bex, V., and Midgley, P. M., Cambridge University Press, Cambridge, United Kingdom and New York, NY, USA, 465–570, 2013.
- Crutzen, P.: The influence of nitrogen oxides on the atmospheric ozone content, *Q. J. Roy. Meteor. Soc.*, 96, 320–325, 1970.
- Cleveland, W. S. and Devlin, S. J.: Locally weighted regression: An approach to regression analysis by local fitting, *J. Am. Stat. Assoc.*, 83, 596–610, 1988.
- Dlugokencky, E. J., Hall, B. D., Montzka, S. A., Dutton, G., Mühle, J., and Elkins, J. W.: Atmospheric composition: Long-lived Greenhouse Gases, in: *State of the Climate in 2017*, *B. Am. Meteorol. Soc.*, 99, 46–49, <https://doi.org/10.1175/2018BAMSStateoftheClimate.1>, 2018.
- EDGAR, Emission Database for Global Atmospheric Research (EDGAR): European Commission, Joint Research Centre (JRC)/Netherlands Environmental Assessment Agency (PBL), release version 4.2., available at: <http://edgar.jrc.ec.europa.eu> (last access: 28 December 2018), 2013.
- Geller, L., Elkins, J., Lobert, J., Clarke, A., Hurst, D., Butler, J., and Myers, R.: Tropospheric SF₆: Observed latitudinal distribution and trends, derived emissions and interhemispheric exchange time, *Geophys. Res. Lett.*, 24, 675–678, 1997.
- Hall, B. D., Dutton, G. S., and Elkins, J. W.: The NOAA nitrous oxide standard scale for atmospheric observations, *J. Geophys. Res.-Atmos.*, 112, D09305, <https://doi.org/10.1029/2006JD007954>, 2007.
- Hall, B. D., Dutton, G. S., Mondeel, D. J., Nance, J. D., Rigby, M., Butler, J. H., Moore, F. L., Hurst, D. F., and Elkins, J. W.: Improving measurements of SF₆ for the study of atmospheric transport and emissions, *Atmos. Meas. Tech.*, 4, 2441–2451, <https://doi.org/10.5194/amt-4-2441-2011>, 2011.
- Hall, B. D., Engel, A., Mühle, J., Elkins, J. W., Artuso, F., Atlas, E., Aydin, M., Blake, D., Brunke, E.-G., Chiavarini, S., Fraser, P. J., Happell, J., Krummel, P. B., Levin, I., Loewenstein, M., Maione, M., Montzka, S. A., O'Doherty, S., Reimann, S., Rhoderick, G., Saltzman, E. S., Scheel, H. E., Steele, L. P., Vollmer, M. K., Weiss, R. F., Worthy, D., and Yokouchi, Y.: Results from the International Halocarbons in Air Comparison Experiment (IHALACE), *Atmos. Meas. Tech.*, 7, 469–490, <https://doi.org/10.5194/amt-7-469-2014>, 2014.
- Ishijima, K., Sugawara, S., Kawamura, K., Hashida, G., Morimoto, S., Murayama, S., Aoki, S., and Nakazawa, T.: Temporal variations of the atmospheric nitrous oxide concentration and its $\delta^{15}\text{N}$ and $\delta^{18}\text{O}$ for the latter half of the 20th century reconstructed from firn air analyses, *J. Geophys. Res.-Atmos.*, 112, D03305, <https://doi.org/10.1029/2006JD007208>, 2007.
- Jiang, X., Ku, W. L., Shia, R.-L., Li, Q., Elkins, J. W., Prinn, R. G., and Yung, Y. L.: Seasonal cycle of N₂O: Analysis of data, *Global Biogeochem. Cy.*, 21, GB1006, <https://doi.org/10.1029/2006GB002691>, 2007.
- Khalil, M. A. K. and Rasmussen, R. A.: Increase and seasonal cycles of nitrous oxide in the earth's atmosphere, *Tellus*, 35, 161–169, 1983.
- Khalil, M. A. K., Rasmussen, R. A., and Shearer, M. J.: Atmospheric nitrous oxide: patterns of global change during recent decades and centuries, *Chemosphere*, 47, 807–821, 2002.
- Kovács, T., Feng, W., Totterdill, A., Plane, J. M. C., Dhomse, S., Gómez-Martín, J. C., Stiller, G. P., Haenel, F. J., Smith, C., Forster, P. M., García, R. R., Marsh, D. R., and Chipperfield, M. P.: Determination of the atmospheric lifetime and global warming potential of sulfur hexafluoride using a three-dimensional model, *Atmos. Chem. Phys.*, 17, 883–898, <https://doi.org/10.5194/acp-17-883-2017>, 2017.
- Levin, I. and Hesshaimer, V.: Refining of atmospheric transport model entries by the globally observed passive tracer distributions of 85 krypton and sulfur hexafluoride (SF₆), *J. Geophys. Res.-Atmos.*, 101, 16745–16755, <https://doi.org/10.1029/96JD01058>, 1996.
- Levin, I., Naegler, T., Heinz, R., Osusko, D., Cuevas, E., Engel, A., Ilmberger, J., Langenfelds, R. L., Neining, B., Rohden, C. v., Steele, L. P., Weller, R., Worthy, D. E., and Zimov, S. A.: The global SF₆ source inferred from long-term high precision atmospheric measurements and its comparison with emission inventories, *Atmos. Chem. Phys.*, 10, 2655–2662, <https://doi.org/10.5194/acp-10-2655-2010>, 2010.
- Liao, T., Camp, C., and Yung, Y.: The seasonal cycle of N₂O, *Geophys. Res. Lett.*, 31, L17108, <https://doi.org/10.1029/2004GL020345>, 2004.
- Liang, Q., Stolarski, R., Douglass, A., Newman, P., and Nielsen, J.: Evaluation of emissions and transport of CFCs using surface observations and their seasonal cycles and the GEOS CCM simulation with emissions-based forcing, *J. Geophys. Res.-Atmos.*, 113, D14302, <https://doi.org/10.1029/2007JD009617>, 2008.
- Lueker, T., Walker, S., Vollmer, M., Keeling, R., Nevison, C., Weiss, R., and Garcia, H.: Coastal upwelling air-sea fluxes revealed in atmospheric observations of O₂/N₂, CO₂, and N₂O, *Geophys. Res. Lett.*, 30, 1292, <https://doi.org/10.1029/2002GL016615>, 2003.
- Maiss, M. and Brenninkmeijer, C.: Atmospheric SF₆: Trends, sources, and prospects, *Environ. Sci. Technol.*, 3, 3077–3086, 1998.
- Maiss, M., Steele, L. P., Francey, R., Fraser, P., Langenfelds, R., Trivett, N., and Levin, I.: Sulfur hexafluoride – a powerful new atmospheric tracer, *Atmos. Environ.*, 30, 1621–1629, [https://doi.org/10.1016/1352-2310\(95\)00425-4](https://doi.org/10.1016/1352-2310(95)00425-4), 1996.
- Meinshausen, M., Vogel, E., Nauels, A., Lorbacher, K., Meinshausen, N., Etheridge, D. M., Fraser, P. J., Montzka, S. A., Rayner, P. J., Trudinger, C. M., Krummel, P. B., Beyerle, U., Canadell, J. G., Daniel, J. S., Enting, I. G., Law, R. M., Lunder, C. R., O'Doherty, S., Prinn, R. G., Reimann, S., Rubino, M., Velders, G. J. M., Vollmer, M. K., Wang, R. H. J., and Weiss, R.: Historical greenhouse gas concentrations for climate modelling (CMIP6), *Geosci. Model Dev.*, 10, 2057–2116, <https://doi.org/10.5194/gmd-10-2057-2017>, 2017.
- Myhre, G., Shindell, D., Bréon, F.-M., Collins, W., Fuglestedt, J., Huang, J., Koch, D., Lamarque, J.-F., Lee, D., Mendoza, B., Nakajima, T., Robock, A., Stephens, G., Takemura, T., and Zhang, H.: Anthropogenic and Natural Radiative Forcing, in: *Climate Change 2013: The Physical Science Basis, Contribution of Working Group I to the Fifth Assessment Report of the Intergovernmental Panel on Climate Change*, in: Stocker, T. F., Qin, D., Plattner, G.-K., Tignor, M., Allen, S. K., Boschung, J.,

- Nauels, A., Xia, Y., Bex, V., and Midgley, P. M., Cambridge University Press, Cambridge, United Kingdom and New York, NY, USA, 2013.
- Nevison, C., Kinnison, D., and Weiss, R.: Stratospheric influences on the tropospheric seasonal cycles of nitrous oxide and chlorofluorocarbons, *Geophys. Res. Lett.*, 31, L20103, <https://doi.org/10.1029/2004GL020398>, 2004.
- Nevison, C., Mahowald, N., Weiss, R., and Prinn, R.: Interannual and seasonal variability in atmospheric N₂O, *Global Biogeochem. Cy.*, 21, GB3017, <https://doi.org/10.1029/2006GB002755>, 2007.
- Olivier, J., Van Aardenne, J., Dentener, F., Pagliari, V., Ganzeveld, L., and Peters, J.: Recent trends in global greenhouse gas emissions: regional trends 1970–2000 and spatial distribution of key sources in 2000, *Environ. Sci.*, 2, 81–99, <https://doi.org/10.1080/15693430500400345>, 2005.
- Park, S., Croteau, P., Boering, K. A., Etheridge, D. M., Ferretti, D., Fraser, P. J., Kim, K.-R., Krummel, P. B., Langenfelds, R. L., van Ommen, T. D., Steele, L. P., and Trudinger, C. M.: Trends and seasonal cycles in the isotopic composition of nitrous oxide since 1940, *Nat. Geosci.*, 5, 261–265, <https://doi.org/10.1038/NGEO1421>, 2012.
- Patra, P. K., Takigawa, M., Dutton, G. S., Uhse, K., Ishijima, K., Lintner, B. R., Miyazaki, K., and Elkins, J. W.: Transport mechanisms for synoptic, seasonal and interannual SF₆ variations and “age” of air in troposphere, *Atmos. Chem. Phys.*, 9, 1209–1225, <https://doi.org/10.5194/acp-9-1209-2009>, 2009.
- Prather, M. J., Holmes, C. D., and Hsu, J.: Reactive green house gas scenarios: Systematic exploration of uncertainties and the role of atmospheric chemistry, *Geophys. Res. Lett.*, 39, L09803, <https://doi.org/10.1029/2012GL051440>, 2012.
- Prather, M. J., Hsu, J., DeLuca, N. M., Jackman, C. H., Oman, L. D., Douglass, A. R., Fleming, E. L., Strahan, S. E., Steenrod, S. D., Søvde, O. A., Isaksen, I. S. A., Froidevaux, L., and Funke, B.: Measuring and modeling the lifetime of nitrous oxide including its variability, *J. Geophys. Res.-Atmos.*, 120, 5693–5705, <https://doi.org/10.1002/2015JD023267>, 2015.
- Prinn, R., Cunnold, D., Rasmussen, R., Simmonds, P., Alyea, F., Crawford, A., Fraser, P., and Rosen, R.: Atmospheric emissions and trends of nitrous oxide deduced from 10 years of ALE-GAGE data, *J. Geophys. Res.*, 95, 18369–18385, 1990.
- Prinn, R., Weiss, R., Fraser, P., Simmonds, P., Cunnold, D., Alyea, F., O’Doherty, S., Salameh, P., Miller, B. R., Huang, J., Wang, R. H. J., Hartley, D. E., Harth, C., Steele, L. P., Sturrock, G., Midgley, P. M., and McCulloch, A.: A history of chemically and radiatively important gases in air deduced from ALE/GAGE/AGAGE, *J. Geophys. Res.*, 105, 17751–17792, <https://doi.org/10.1029/2000JD900141>, 2000.
- Prinn, R. G., Weiss, R. F., Arduini, J., Arnold, T., DeWitt, H. L., Fraser, P. J., Ganesan, A. L., Gasore, J., Harth, C. M., Hermansen, O., Kim, J., Krummel, P. B., Li, S., Loh, Z. M., Lunder, C. R., Maione, M., Manning, A. J., Miller, B. R., Mitrevski, B., Mühle, J., O’Doherty, S., Park, S., Reimann, S., Rigby, M., Saito, T., Salameh, P. K., Schmidt, R., Simmonds, P. G., Steele, L. P., Vollmer, M. K., Wang, R. H., Yao, B., Yokouchi, Y., Young, D., and Zhou, L.: History of chemically and radiatively important atmospheric gases from the Advanced Global Atmospheric Gases Experiment (AGAGE), *Earth Syst. Sci. Data*, 10, 985–1018, <https://doi.org/10.5194/essd-10-985-2018>, 2018.
- Ray, E., Moore, F. L., Elkins, J. W., Rosenlof, K. H., Laube, J. C., Röckmann, T., Marsh, D. R., and Andrews, A. E.: Quantification of the SF₆ Lifetime Based on Mesospheric Loss Measured in the Stratospheric Polar Vortex, *J. Geophys. Res.-Atmos.*, 122, 4626–4638, <https://doi.org/10.1002/2016JD026198>, 2017.
- Rice, A. L., Butenhoff, C. L., Teama, D. G., Röger, F. H., Khalil, M. A. K., and Rasmussen, R. A.: Atmospheric methane isotopic record favors fossil sources flat in 1980s and 1990s with recent increase, *P. Natl. Acad. Sci. USA*, 113, 10791–10796, 2016.
- Rigby, M., Mühle, J., Miller, B. R., Prinn, R. G., Krummel, P. B., Steele, L. P., Fraser, P. J., Salameh, P. K., Harth, C. M., Weiss, R. F., Grealley, B. R., O’Doherty, S., Simmonds, P. G., Vollmer, M. K., Reimann, S., Kim, J., Kim, K.-R., Wang, H. J., Olivier, J. G. J., Dlugokencky, E. J., Dutton, G. S., Hall, B. D., and Elkins, J. W.: History of atmospheric SF₆ from 1973 to 2008, *Atmos. Chem. Phys.*, 10, 10305–10320, <https://doi.org/10.5194/acp-10-10305-2010>, 2010.
- Saikawa, E., Prinn, R. G., Dlugokencky, E., Ishijima, K., Dutton, G. S., Hall, B. D., Langenfelds, R., Tohjima, Y., Machida, T., Manizza, M., Rigby, M., O’Doherty, S., Patra, P. K., Harth, C. M., Weiss, R. F., Krummel, P. B., van der Schoot, M., Fraser, P. J., Steele, L. P., Aoki, S., Nakazawa, T., and Elkins, J. W.: Global and regional emissions estimates for N₂O, *Atmos. Chem. Phys.*, 14, 4617–4641, <https://doi.org/10.5194/acp-14-4617-2014>, 2014.
- Schmidt, M., Glatzel-Mattheier, H., Sartorius, H., Worthy, D. E., and Levin, I.: Western European N₂O emissions: A top-down approach based on atmospheric observations, *J. Geophys. Res.*, 106, 5507–5515, 2001.
- Snider, D. M., Venkiteswaran, J. J., Schiff, S. L., and Spoelstra, J.: From the ground up: Global nitrous oxide sources are constrained by stable isotope values, *PLOS ONE*, 10, E0118954, <https://doi.org/10.1371/journal.pone.0118954>, 2015.
- Stocker, B. D., Roth, R., Joos, F., Spahni, R., Steinacher, M., Zeahle, S., Bouwman, L., and Prentice, I. C.: Multiple greenhouse-gas feedbacks from the land biosphere under future climate change scenarios, *Nat. Clim. Change*, 3, 666–672, <https://doi.org/10.1038/nclimate1864>, 2013.
- Sulfur Hexafluoride (SF₆) WMO Scale, available at: https://www.esrl.noaa.gov/gmd/ccl/sf6_scale.html, last access: 17 June 2018.
- Vollmer, M. K., Young, D., Trudinger, C. M., Mühle, J., Henne, S., Rigby, M., Park, S., Li, S., Guillevic, M., Mitrevski, B., Harth, C. M., Miller, B. R., Reimann, S., Yao, B., Steele, L. P., Wyss, S. A., Lunder, C. R., Arduini, J., McCulloch, A., Wu, S., Rhee, T. S., Wang, R. H. J., Salameh, P. K., Hermansen, O., Hill, M., Langenfelds, R. L., Ivy, D., O’Doherty, S., Krummel, P. B., Maione, M., Etheridge, D. M., Zhou, L., Fraser, P. J., Prinn, R. G., Weiss, R. F., and Simmonds, P. G.: Atmospheric histories and emissions of chlorofluorocarbons CFC-13 (CClF₃), ΣCFC-114 (C₂Cl₂F₄), and CFC-115 (C₂ClF₅), *Atmos. Chem. Phys.*, 18, 979–1002, <https://doi.org/10.5194/acp-18-979-2018>, 2018.
- Wilson, C., Chipperfield, M. P., Gloor, M., and Chevallier, F.: Development of a variational flux inversion system (INVICAT v1.0) using the TOMCAT chemical transport model, *Geosci. Model Dev.*, 7, 2485–2500, <https://doi.org/10.5194/gmd-7-2485-2014>, 2014.