

EXTENDED TEMPERATURE RANGE

PIC series microcomputers are available in two temperature ranges. The preceding data sheets describe the commercial grade device, 0°C to 70°C centigrade. An industrial/automotive temperature range version is available. The -40° to 85° centigrade option is specified with the addition of a suffix, I, to the part number.

The specifications for these devices differ from their commercial grade counterparts in a few electrical parameters, typically interface voltage/current levels. Refer to the data sheets for details.

OPEN DRAIN OPTIONS

PIC1650A, PIC1670

Open-Drain I/O Ports

Any or all of the I/O lines may be specified by the customer to be open drain, that is, the internal pull-up device will be removed. This enables the outputs to be pulled up to +10.0V maximum with an external pull-up resistor, allowing easy interface to external devices requiring a logic one level greater than V_{DD} of the PIC. In the logic one state, the leakage current of the I/O port is $\pm 5\mu A$, maximum.

The customer shall specify on the "PIC Series Order Form" the pin number and port name (e.g., "RB3") of each port required to be open drain.

PIC1655A, PIC1656

Open Drain I/O, Input and Output Ports

Any or all of the I/O, input only or output only lines may be specified by the customer to be open drain, that is, the internal pull-up device will be removed. This enables the outputs to be pulled up to +10.0V maximum with an external pull-up resistor, allowing easy interface to external devices requiring a logic one

level greater than V_{DD} of the PIC. In the logic one state, the leakage current of the I/O port is $\pm 5\mu A$, maximum.

The customer shall specify on the "PIC Series Order Form" the pin number and port name (e.g., "RB3") of each port required to be open drain.

PIC16C55

Input-only, Output-only and I/O Ports

Any or all of the input-only and I/O lines may be specified to have an internal pull-up resistor inserted via a mask option. This allows easy interface to an external transistor or switch without the need for an external pull-up resistor. Furthermore, any or all of the output-only or I/O pull-down transistors can be specified to be removed via a mask option. This facilitates interfacing with external circuitry which has signal swings below V_{SS} . In this case the maximum voltage permitted to be applied to the pin is -12V with respect to V_{DD} .

PIC1654

Optional Internal Connection to RTCC

A mask option will allow an internal clock signal whose period is equal to the instruction execution time to drive the real time clock/counter register. In this mode, transitions in the RTCC pin will be disregarded.

PIC1655XT

Prescaler Division Ratio

A mask option will allow the division ratio of the RTCC prescaler to be selected as 1, 2, 4, 8 or 16. Consult the data sheet for the details.

8 Bit Microcomputer

FEATURES

- 1024 x 13-bit Program ROM
- 64 x 8-bit RAM (16 special purpose registers)
- Arithmetic Logic Unit
- Sophisticated interrupt structure
- 6 level pushdown stack
- Versatile self contained oscillator
- 2.0 μ s instruction execution time
- Wide power supply operating range (4.5-5.5 volts)
- 4 sets of 8 user defined TTL compatible I/O lines
- Available in two temperature ranges: 0°C to 70°C and -40°C to 85°C.

DESCRIPTION

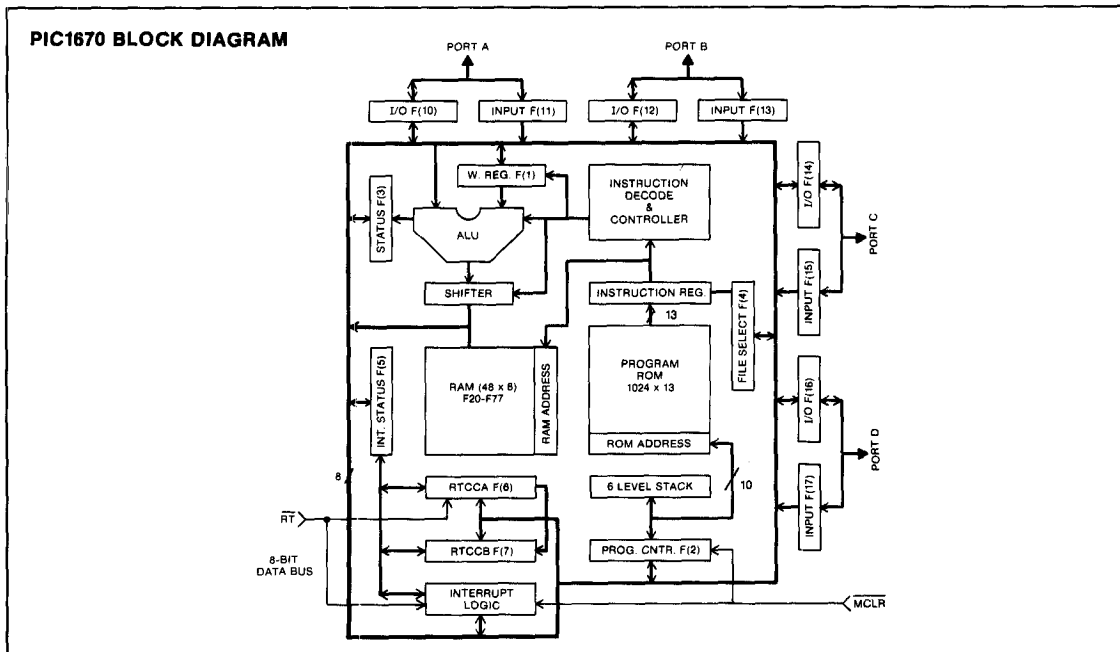
The PIC1670 microcomputer is an MOS/LSI device containing RAM, I/O, and a central processing unit as well as customer-defined ROM on a single chip. This combination produces a low cost solution for applications which require sensing individual inputs and controlling individual outputs. Keyboard scanning, display driving, and system control functions can be done at the same time due to the power of the 8-bit CPU.

The internal ROM contains a customer-defined program using the PIC's powerful instruction set to specify the overall functional characteristics of the device. The 8-bit input/output registers provide latched lines for interfacing to a limitless variety of applications. The PIC can be used to scan keyboards, drive displays, control electronic games and provide enhanced capabilities to vending machines, traffic lights, radios, television, consumer appliances, industrial timing and control applications. The 13-bit instruction word format provides a powerful yet easy to use

instruction repertoire emphasizing single bit manipulation as well as logical and arithmetic operations using bytes.

The PIC1670 is fabricated with N-Channel Silicon Gate technology resulting in a high performance product. Only a single wide range power supply is required for operation. An on-chip oscillator provides the operating clock with either an external crystal or RC network to establish the frequency. Inputs and outputs are TTL-compatible, with open-drain option available.

Extensive hardware and software support is available to aid the user in developing an application program and to verify performance before committing to mask tooling. Programs can be assembled into machine language using PICAL, eliminating the burden of coding with ones and zeros. PICAL is available in a Fortran IV version that can be run on many popular computer systems. Once the application program is developed several options are available to insure proper performance. The PIC's operation can be verified in any hardware application by using the PIC1665. The PIC1665 is a ROM-less PIC1670 microcomputer with additional pins to connect external PROM or RAM and to accept HALT commands. The PFD 1020 Field Demo System is available containing a PIC1665 with sockets for erasable PROMs. Finally, the PICES II (PIC In-Circuit Emulation System) provides the user with emulation and debugging capability in either a stand-alone mode or operation as a peripheral to a larger computer system. Easy program debugging and changing is facilitated because the user's program is stored in RAM. With these development tools, the user can quickly and confidently order the masking of the PIC's ROM and bring his application into the market.



ARCHITECTURAL DESCRIPTION

The firmware architecture of the PIC1670 microcomputer is based on a register file concept with simple yet powerful instruction commands designed to optimize the code for bit, byte, and register transfer operations. The instruction set also supports computing functions as well as these control and interface functions.

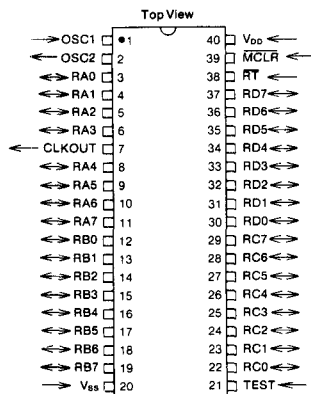
Internally, the functional blocks of the PIC1670 are connected by an 8-bit bidirectional bus: the 64 8-bit registers of which the first 16 are special purpose, an Arithmetic Logic Unit, and a user defined program ROM composed of 1024 x 13 words. The register file is divided into two functional groups: operational registers and general purpose registers. The first sixteen are the operational registers and they include the Real Time Clock Counter A and B, four I/O registers, two Status registers, a Program Counter and a File Select Register. The general purpose registers are used for data and control information under command of the instructions.

The Arithmetic Logic Unit contains one temporary working register (W Register), an adder, and hardware for decimal adjust. Manipulation between data in the working register and any other register can be performed.

The Program ROM contains the user defined application program and is supported by an instruction decoder and instruction register. Sequencing of microinstructions is controlled via the Program Counter (PC) which automatically increments to execute in-line programs. The Program Counter is modified by bit test, jump, call or branch instructions and the lower 8-bits can be modified for computed addresses by file register instructions. In addition, an on-chip six level stack is employed to push and pull the contents of the program counter. This provides easy to use subroutine nesting. Activating the MCLR input on power-up initializes the ROM program to address 1777_h.

PIN FUNCTIONS

Signal	Function
OSC1 (Input), OSC2 (output)	Oscillator pins. The on-board oscillator can be driven by an external crystal, ceramic resonator or LC network, or an external clock via these pins.
RT (Input)	Real Time Input. Negative transitions on this pin increment the RTCC (F6) register. This pin can also be used for an interrupt input. This pin uses a Schmitt trigger input. There is no internal active pull-up device.
RA0-7, RB0-7, RC0-7, RD0-7	User programmable input/output lines. These lines can be used as inputs and/or outputs and are under direct control of the program.
MCLR (Input)	Master Clear. Used to initialize the internal ROM program to address 1777 _h , latch all I/O registers high, and disables the interrupts. This pin uses a Schmitt trigger input. There is no internal active pull-up device.
TEST	Test pin. This pin is used for testing purposes only. It must be grounded for normal operation.
V_{DD}	Power supply pin.
V_{SS}	Ground pin.
CLKOUT	Clock Output. A signal derived from the internal oscillator. May be used by external circuitry to synchronize with PIC1670 timing.

PIN CONFIGURATION
40 LEAD DUAL IN LINE

REGISTER FILE ARRANGEMENT

File (Octal)	Function																
F0	Not a physical register. F0 calls for contents of the FSR (F4) to be used to select a file register. F4 is used as an indirect address pointer.																
F1	W Register — The working register.																
F2	Program Counter — Points to the next program ROM address to be executed.																
F3	Arithmetic Status Register <table border="1" style="margin-left: 20px;"> <tr> <td>7</td><td>6</td><td>5</td><td>4</td><td>3</td><td>2</td><td>1</td><td>0</td> </tr> <tr> <td>0</td><td>X</td><td>A9</td><td>A8</td><td>OV</td><td>Z</td><td>DC</td><td>C</td> </tr> </table> <p>Bit 0 (C) -- Bit 0 is the carry flag, and is usually the carry from the A.L.U., also used as a borrow in subtract instructions.</p> <p>Bit 1 (DC) — Bit 1 is the half carry (decimal carry) and is used to indicate a carry from bit 3 in the A.L.U. as the result of an addition (byte). This bit is used in the decimal adjust instruction to allow B.C.D. decimal addition.</p> <p>Bit 2 (Z) — Bit 2 is the zero flag and is set to a one if the results of the previous operation was identically zero.</p> <p>Bit 3 (OV) — Bit 3 is the overflow flag, and is set to a one by operations which cause a signed two's complement arithmetic overflow. The bit is set when the carry from the MSB in the A.L.U. is opposite to the carry from the MSB-1 bit.</p> <p>Bit 4 (A8) — Bit 4 is the 9th bit of the program counter. This bit is a read only bit.</p> <p>Bit 5 (A9) — Bit 5 is the 10th bit of the program counter. This bit is a read only bit.</p>	7	6	5	4	3	2	1	0	0	X	A9	A8	OV	Z	DC	C
7	6	5	4	3	2	1	0										
0	X	A9	A8	OV	Z	DC	C										
F4	File Select Register — The FSR is used in generating effective file register addresses under program control.																
F5	Interrupt Status Register <table border="1" style="margin-left: 20px;"> <tr> <td>X</td><td>CNTE</td><td>A/B</td><td>CNTS</td><td>RTCIR</td><td>XIR</td><td>RTCIE</td><td>XIE</td> </tr> </table> — Used to control interrupts and registers F6 and F7.	X	CNTE	A/B	CNTS	RTCIR	XIR	RTCIE	XIE								
X	CNTE	A/B	CNTS	RTCIR	XIR	RTCIE	XIE										
F6,F7	RTCCA and RTCCB — Real Time Clock Counters A & B respectively can be configured as a single 16 bit counter, an 8 bit counter and an 8 bit general purpose register, or two general purpose registers when no external counting is required. The RTCC registers can be loaded and read by the program, as well as count negative transitions on the \overline{RT} pin or count at 1/8 the frequency of the oscillator. If data are being stored into RTCCA simultaneous with a negative transition on the RT pin (and CNTE=1 and CNTS=1), RTCCA will contain the new stored value and the external transition will be ignored by the microcomputer. (See the section "Real Time Clock Interrupt" for further details about the RTCC.)																
F10,11	I/O Port A																
F12,13	I/O Port B																
F14,15	I/O Port C																
F16,17	I/O Port D																
F20,77	General Purpose Registers—Used for temporary and general purpose storage during program execution time.																

NOTE: F10, 12, 14 & 16 are the I/O registers and F11, 13, 15 & 17 are used for reading the actual pin levels.

Basic Instruction Set Summary

Each PIC instruction is a 13-bit word divided into an OP code which specifies the instruction type and one or more operands which further specify the operation of the instruction. The following PIC instruction summary lists byte-oriented, bit-oriented, and literal and control operations.

For byte-oriented instructions, "f" represents a file register designator and "d" represents a destination designator. The file register designator specifies which one of the PIC file registers is to be utilized by the instruction. The destination designator specifies where the result of the operation performed by the instruction is to be placed. If "d" is zero, the result is placed in the PIC W register. If

"d" is one, the result is returned to the file register specified in the instruction.

For bit-oriented instructions, "b" represents a bit field designator which selects the number of the bit affected by the operation, while "f" represents the number of the file in which the bit is located.

For literal and control operations, "k" represents an eight or nine bit constant or literal value.

For an oscillator frequency of 4MHz the instruction execution time is 2.0 μsec unless a conditional test is true or the program counter is changed as a result of an instruction. In these two cases, the instruction execution time is 4.0 μsec.

BYTE ORIENTED FILE REGISTER OPERATIONS

		(12-7)	(6)	(5-0)		
		OP CODE		d	f (FILE #)	
Instruction—Binary (Octal)	Name	Mnemonic, Operands	Operation	Status Affected		
0 000 000 000 100 (00004)	Decimal adjust W	DAW —	(Note 1)	C		
0 000 001 fff fff (00100)	Move W to file	MOVWF f	W←f	—		
0 000 1d fff fff (00200)	Subtract W from file w/borrow	SUBBWF f,d	f←W+c-d	OV,C,DC,Z		
0 000 10d fff fff (00400)	Subtract W from file	SUBWF f,d	f←W+1-d	OV,C,DC,Z		
0 000 11d fff fff (00600)	Decrement file	DECf f,d	f←f-d	OV,C,DC,Z		
0 001 00d fff fff (01000)	Inclusive or W with file	IORWF f,d	W←f-d	Z		
0 001 01d fff fff (01200)	And W with file	ANDWF f,d	W←f-d	Z		
0 001 10d fff fff (01400)	Exclusive OR W with file	XORWF f,d	W⊕f-d	Z		
0 001 11d fff fff (01600)	Add W with file	ADDWF f,d	W←f-d	OV,C,DC,Z		
0 010 00d fff fff (02000)	Add W to file with carry	ADCWF f,d	W←f+c-d	OV,C,DC,Z		
0 010 01d fff fff (02200)	Complement file	COMPF f,d	f←d	Z		
0 010 10d fff fff (02400)	Increment file	INCF f,d	f←f-d	OV,C,DC,Z		
0 010 11d fff fff (02600)	Decrement file, skip if zero	DECFSZ f,d	f←f-d, skip if zero	—		
0 011 00d fff fff (03000)	Rotate file right thru carry	RRCF f,d	f(n)-d(n-1), f(0), f(0)←C	C		
0 011 01d fff fff (03200)	Rotate file left thru carry	RLCF f,d	f(n)-d(n+1), c←d(0), f(7)←C	C		
0 011 10d fff fff (03400)	Swap upper and lower nibble of file	SWAPF f,d	f(0-3)←(4-7)-d	Z		
0 011 11d fff fff (03600)	Increment file, skip if zero	INCFSZ f,d	f←f-d, skip if zero	—		

		(12-6)	(5-0)		
		OP CODE	f (FILE #)		
Instruction—Binary (Octal)	Name	Mnemonic, Operands	Operation	Status Affected	
1 000 000 fff fff (10000)	Move file to W	MOVFW f	f←W	Z	
1 000 001 fff fff (10100)	Clear file	CLRF f	0←f	—	
1 000 010 fff fff (10200)	Rotate file right/no carry	RRNCF f	f(n)-d(n-1), f(0), f(7)←f(0)	—	
1 000 011 fff fff (10300)	Rotate file left/no carry	RLNCF f	f(n)-d(n+1), f(7), f(0)←f(7)	—	
1 000 100 fff fff (10400)	Compare file to W, skip if F < W	CPFSLT f	f - W, Skip if C = 0	—	
1 000 101 fff fff (10500)	Compare file to W, skip if F = W	CPFSEQ f	f - W, Skip if Z = 1	—	
1 000 110 fff fff (10600)	Compare file to W, skip if F > W	CPFSGT f	f - W, Skip if Z · C = 1	—	
1 000 111 fff fff (10700)	Move file to itself	TESTF —	f←f	Z	

BIT ORIENTED FILE REGISTER OPERATIONS

		(12-9)	(8-6)	(5-0)		
		OP CODE	b (BIT #)	f (FILE #)		
Instruction—Binary (Octal)	Name	Mnemonic, Operands	Operation	Status Affected		
0 100 bbb fff fff (04000)	Bit clear file	BCF f,b	0←f(b)	—		
0 101 bbb fff fff (05000)	Bit set file	BSF f,b	1←f(b)	—		
0 110 bbb fff fff (06000)	Bit test, skip if clear	BTFSC f,b	Bit Test f(b), skip if clear	—		
0 111 bbb fff fff (07000)	Bit test, skip if set	BTFSS f,b	Bit Test f(b), skip if set	—		

LITERAL AND CONTROL OPERATIONS

		(12-8)	(7-0)		
		OP CODE	k (LITERAL)		
Instruction—Binary (Octal)	Name	Mnemonic, Operands	Operation	Status Affected	
0 000 000 000 000 (00000)	No Operation	NOP —	—	—	
0 000 000 000 001 (00001)	Halt in PIC1665	HALT —	—	—	
0 000 000 000 010 (00002)	Return from Interrupt	RETI —	Stack ← PC	—	
0 000 000 000 011 (00003)	Return from Subroutine	RETF —	Stack ← PC	—	
1 001 0kk kkk kkk (11000)	Move Literal to W	MOVLW k	k←W	—	
1 001 1kk kkk kkk (11400)	Add Literal to W	ADDLW k	k←W+W	OV,C,DC,Z	
1 010 0kk kkk kkk (12000)	Inclusive OR Literal to W	IORLW k	k←W+W	Z	
1 010 1kk kkk kkk (12400)	And Literal and W	ANDLW k	k←W+W	Z	
1 011 0kk kkk kkk (13000)	Exclusive OR Literal and W	XORLW k	k⊕W←W	Z	
1 011 1kk kkk kkk (13400)	Return and load literal in W	RETLW k	k←W, Stack ← PC	—	

		(12-10)	(9-0)		
		OP CODE	k (LITERAL)		
Instruction—Binary (Octal)	Name	Mnemonic, Operands	Operation	Status Affected	
1 10k kkk kkk kkk (14000)	Go to address	GOTO k	k←PC	—	
1 11k kkk kkk kkk (16000)	Call Subroutine	CALL k	PC←1+Stack, k←PC	—	

NOTE:

DAW: Decimal Adjust W.

This instruction adjusts the eight bit number in the W register to form two valid BCD (binary coded decimal) digits, one in the lower and one in the upper nibble. (The results will only be meaningful if the number in W to be adjusted is the result of adding together two valid two digit BCD numbers.)

The adjustment obeys the following two step algorithm:

1. If the lower nibble is greater than 9 or the digit carry flag (DC) is set, 06 is added to the W register.
2. Then, if the upper nibble is greater than 9 or the carry from the original or step 1 addition is set, 60 is added to the W register. The carry bit is set if there is a carry from the original, step 1 or step 2 addition.

INTERRUPT SYSTEM

The interrupt system of the PIC1670 is comprised of an external interrupt and a real-time clock counter interrupt. These have different interrupt vectors, enable bits and status bits. Both interrupts are controlled by the status register (F5)** shown below.

NOT USED	CNTE	A/B	CNTS	RTCIR	XIR	RTCIE	XIE
7*	6	5	4	3	2	1	0

*Bit 7 is unused and is read as zero.

**Register 5 will power up to all zeroes.

EXTERNAL INTERRUPT

On any high to low transition of the \overline{RT} pin the external interrupt request (XIR) bit will be set. This request will be serviced if the external interrupt enable (XIE) bit is set or if it is set at a later point in the program. The latter allows the processor to store a request (without interrupting) while a critical timing routine is being executed. Once external interrupt service is initiated, the processor will clear the XIR bit, delay one cycle (to execute the current instruction), then push the current program counter onto the stack and execute the instruction at location 1760_h. It takes three to four instruction cycles from the transition on the \overline{RT} pin until the instruction at 1760_h is executed. No new interrupts can be serviced until a return from interrupt (RETFI) instruction has been executed.

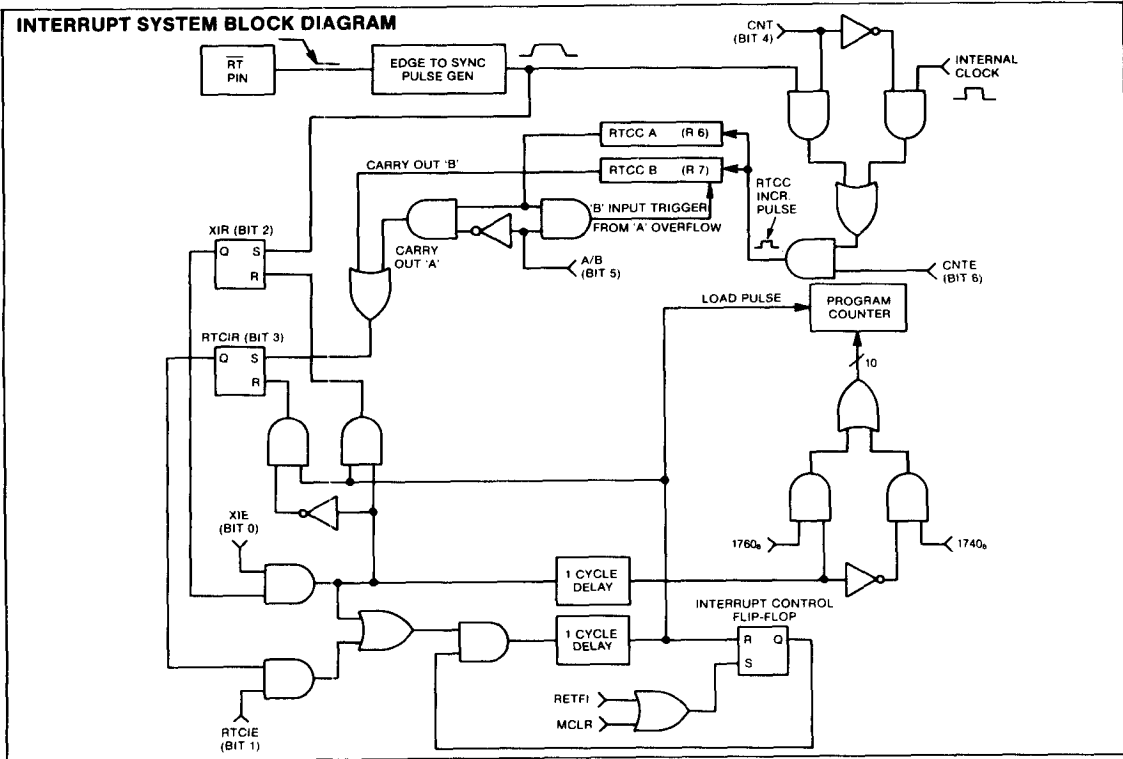
REAL-TIME CLOCK INTERRUPT

The real-time clock counter (RTCCA & RTCCB, file registers F6 and F7) have a similar mechanism of interrupt service. The RTCCA register will increment if the count enable (CNTE) bit is set. If this bit is not set the RTCCA & RTCCB will maintain their present contents and can therefore be used as general purpose

RAM registers. The count source (CNTS) bit selects the clocking source for RTCCA. If CNTS is cleared to a '0', then RTCCA will use the internal instruction clock and increment at 1/8 the frequency present on the OSC pins. If CNTS is set to a '1', then RTCCA will increment on each high to low transition of the RT pin. RTCCB can only be incremented when RTCCA makes a transition from 377_h to 0 and the A/B status bit is set. This condition links the two eight bit registers together to form one sixteen bit counter. An interrupt request under these conditions will occur when the combined registers make a transition from 17777_h to 0. If, however, the A/B bit is not set, then RTCCA will be the only incrementing register and an interrupt request will occur when RTCCA makes a transition from 377_h to 0. (In this setup the RTCCB register will not increment and can be used as a general purpose RAM register.) Once a request has come from the real-time clock counter, the real-time clock interrupt request (RTCIR) bit will be set. At this point, the request can either be serviced immediately if the real-time clock interrupt enable (RTCIE) bit is set or be stored if RTCIE is not set. The latter allows the processor to store a real-time clock interrupt while a critical timing routine is being executed. Once interrupt service is initiated, the processor will clear the RTCIR bit, delay one cycle (to execute the current instruction), then push the present program counter onto the stack and execute the instruction at location 1740_h. It takes three instruction cycles from when the RTCC (A or B) overflows until the instruction of 1740 is executed. No new interrupts can be serviced until a RETFI instruction has been executed.

The RETFI instruction (0000₂) must be used to return from any interrupt service routine if any pending interrupts are to be serviced. External interrupts have priority over RTCC driven interrupt in the event both types occur simultaneously. Interrupts cannot be nested but will be serviced sequentially. The existence of any pending interrupts can be tested via the state of the XIR (bit 2) and RTCIR (bit 3) in the status word F5.

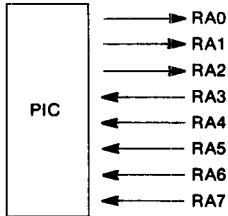
INTERRUPT SYSTEM BLOCK DIAGRAM



MICROCOMPUTER

INPUT/OUTPUT CAPABILITY

The PIC1670 provides four complete quasi-bidirectional input/output ports. A simplified schematic of an I/O pin is shown below. The ports occupy address locations in the register file space of the PIC1670. Thus, any instruction that can operate on a general purpose register can operate on an I/O port. Two locations in the register file space are allocated for each I/O port. Port RA0-7 is addressable as either F10 or F11. Port RB0-7 is addressable as either F12 or F13. Port RC0-7 is addressable as either F14 or F15 and Port RD0-7 is addressable as either F16 or F17. An I/O port READ on its odd-numbered location will interrogate the chip pins while an I/O port READ on its even-numbered location will interrogate the internal latch in that I/O port. This simplifies programming in cases where a portion of a single port is used for inputting only, while the remainder is used for outputting as illustrated in the following example.



Here, the low 3 bits of port RA are used as output-only, while the high 5 bits are used as input-only. During power on reset (\overline{MCLR} low), the latches in the I/O ports will be set high, turning off all pull down transistors as represented by Q_2 in Figure 1. During program execution if we wish to interrogate an input pin, then, for example,

```
BTFSF 11,6
```

will test pin RA6 and skip the next instruction if that pin is set. If we wish to modify a single output, then, for example,

```
BCF 10,2
```

will force RA2 to zero because its internal latch will be cleared to zero. This will turn on Q_2 and pull the pin to zero.

The way this instruction operates internally is the CPU reads file 10 into the A.L.U., modifies the bit and re-outputs the data to file 10. If the pins were read instead, any input which was grounded externally would cause a zero to be read on that bit. When the CPU re-outputted the data to the file, that bit would be cleared to zero, no longer useful as an input until set high again.

During program execution, the latches in bits 3-7 should remain in the high state. This will keep Q_2 off, allowing external circuitry full control of pins RA3-RA7, which are being used here as input.

BIDIRECTIONAL INPUT-OUTPUT PORT

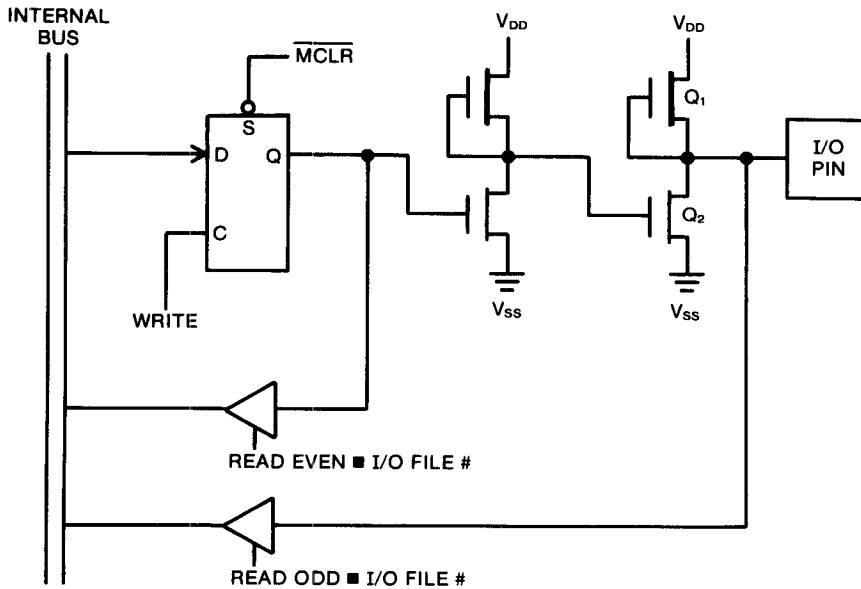


Figure 1

ELECTRICAL CHARACTERISTICS**Maximum Ratings***

Ambient Temperature Under Bias	-40°C to +85°C
Storage Temperature	-55°C to +150°C
Voltage on any Pin with Respect to V_{SS}	-0.3V to +10.0V
Power Dissipation	1000mW

* Exceeding these ratings could cause permanent damage to the device. This is a stress rating only and functional operation of this device at these conditions is not implied—operating ranges are specified in Standard Conditions. Exposure to absolute maximum rating conditions for extended periods may affect device reliability. Data labeled “typical” is presented for design guidance only and is not guaranteed.

Standard Conditions (unless otherwise stated):

DC CHARACTERISTICS

Operating Temperature $T_A = 0^\circ\text{C}$ to $+70^\circ\text{C}$

Characteristic	Sym	Min	Typ†	Max	Units	Conditions
Primary Supply Voltage	V_{DD}	4.5	—	5.5	V	
Primary Supply Current	I_{DD}	—	—	100	mA	All I/O pins high
Input Low Voltage (except MCLR & \overline{RT})	V_{IL}	-0.2	—	0.8	V	
Input High Voltage (except MCLR, \overline{RT} , OSC1)	V_{IH1}	2.4	—	V_{DD}	V	
Input High Voltage (MCLR, \overline{RT} , OSC1)	V_{IH2}	$V_{DD}-1$	—	V_{DD}	V	
Output High Voltage	V_{OH}	2.4	—	V_{DD}	V	$I_{OH} = -100\mu\text{A}$ provided by internal pullups (Note 2)
Output Low Voltage (I/O and CLK OUT)	V_{OL}	—	—	0.45	V	$I_{OL} = 1.6\text{mA}$
Input Leakage Current (MCLR, \overline{RT} , OSC1)	I_{LC}	-5	—	+5	μA	$V_{SS} \leq V_{IN} \leq V_{DD}$
Input Low Current (all I/O ports)	I_{IL}	-0.2	-0.6	-2.0	mA	$V_{IL} = 0.4\text{V}$, internal pullup
Input High Current (all I/O ports)	I_{IH}	-0.1	-0.4	—	mA	$V_{IH} = 2.4\text{V}$

†Typical data is at $T_A = 25^\circ\text{C}$, $V_{DD} = 5.0\text{V}$.

NOTES:

1. Total power dissipation for the package is calculated as follows:

$$P_D = (V_{DD})(I_{DD}) + \sum (V_{DD} - V_{IL})(|I_{IL}|) + \sum (V_{DD} - V_{OH})(|I_{OH}|) + \sum (V_{OL})(I_{OL})$$

2. Positive current indicates current into pin. Negative current indicates current out of pin.

3. Total I_{OL} for all output pin (I/O ports plus CLK OUT) must not exceed 175mA.

Standard Conditions (unless otherwise stated):

AC CHARACTERISTICS

Operating Temperature $T_A = 0^\circ\text{C}$ to $+70^\circ\text{C}$

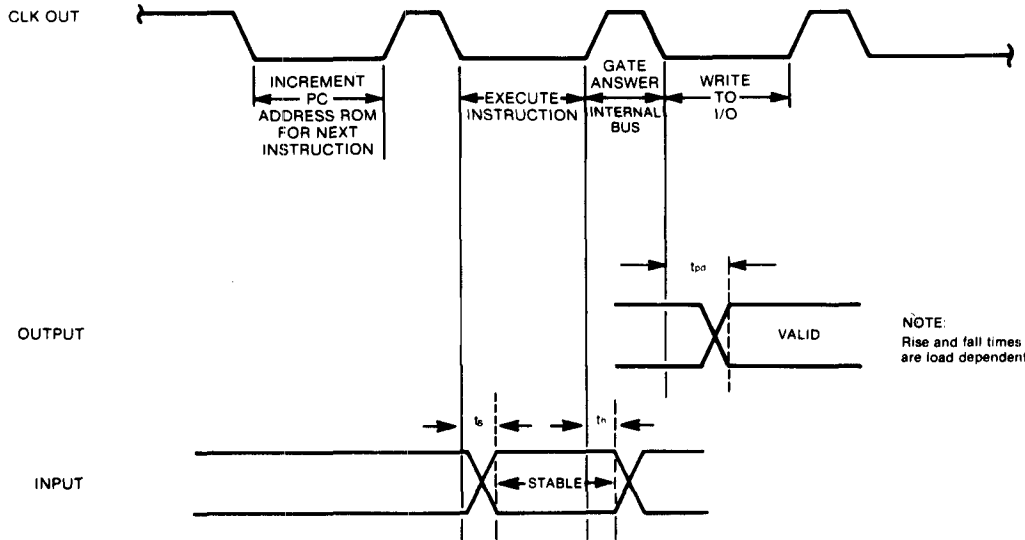
Characteristic	Sym	Min	Typ	Max	Units	Conditions
Instruction Cycle Time	t_{cy}	2.0	—	8	μs	4MHz — 1MHz external time base (Note 1)
\overline{RT} Input						(Note 2)
Period	t_{RT}	t_{cy}	—	—	—	
High Pulse Width	t_{RTH}	$\frac{1}{2}t_{cy}$	—	—	—	
Low Pulse Width	t_{RTL}	$\frac{1}{2}t_{cy}$	—	—	—	
I/O Ports						
Data Input Setup Time	t_s	—	—	$\frac{1}{2}t_{cy}-125$	ns	
Data Input Hold Time	t_h	0	—	—	ns	
Data Output Propagation Delay	t_{pd}	—	500	800	ns	Capacitive load = 50pF

NOTES:

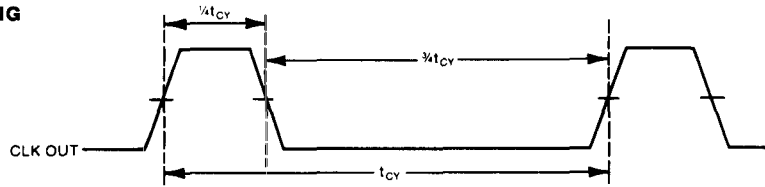
1. Instruction cycle period (t_{cy}) equals eight times the input oscillator time base period.

2. Due to the synchronous timing nature between CLK OUT and the sampling circuit used on the \overline{RT} input, CLK OUT may be directly tied to the \overline{RT} input. The minimum times specified represent theoretical limits.

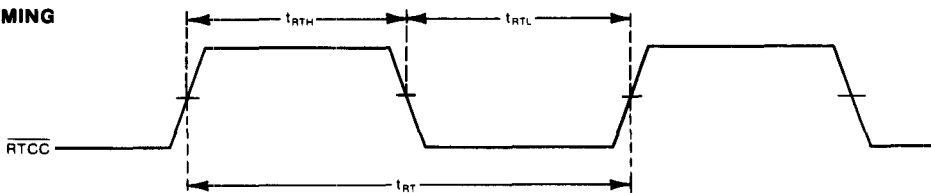
I/O TIMING



CLK OUT TIMING

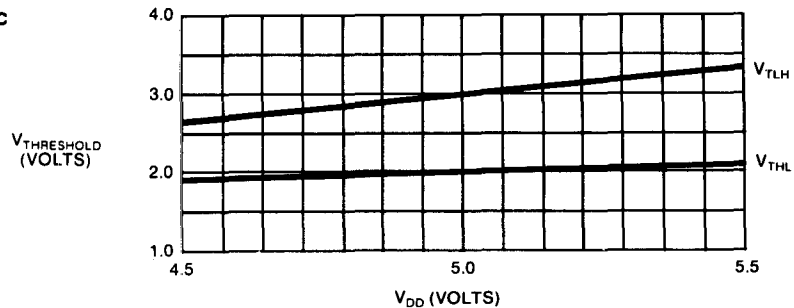


RTCC TIMING



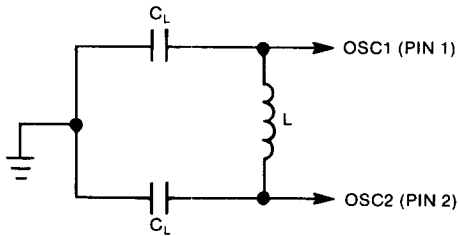
SCHMITT TRIGGER CHARACTERISTICS (Typical)

(RT, MCLR) $T_A = 25^\circ\text{C}$



PIC1670 OSCILLATOR OPTIONS (TYPICAL CIRCUIT)

LC OPERATION

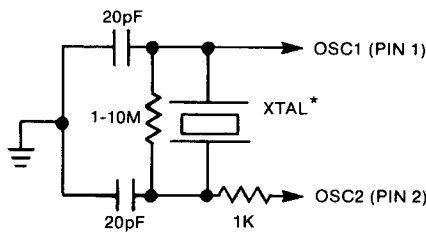


$$f_{OSC} \approx \frac{1}{2\pi \sqrt{L(C_L + C_{INT})}}$$

where $C_{INT} = 10\text{pF}$.

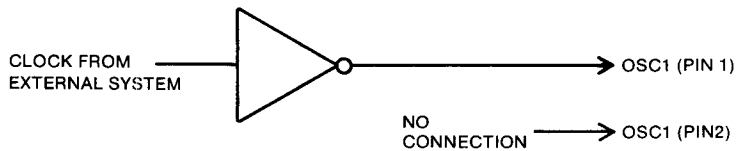
Typical values for 4MHz operation:
 $L = 70\mu\text{H}$
 $C_L = 10\text{pF}$

CRYSTAL INPUT OPERATION

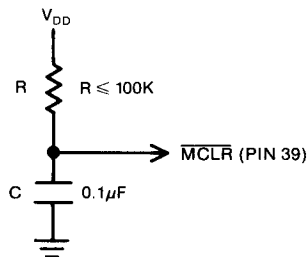


* or ceramic resonator, parallel resonant (0.8 - 5.0MHz)

EXTERNAL CLOCK INPUT OPERATION

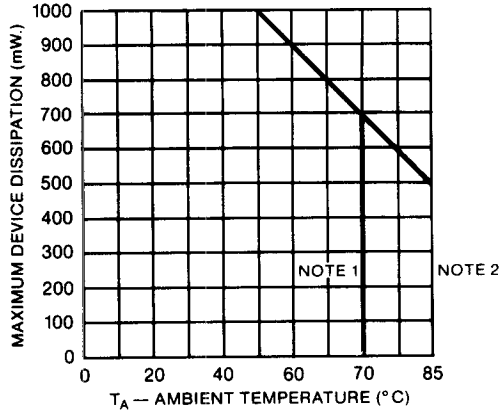


MASTER CLEAR (TYPICAL CIRCUIT)



Master Clear requires 10ms delay (assuming a 4MHz crystal) before activation after power is applied to the V_{DD} pin, for the crystal to start up. To achieve this, an external RC configuration as shown can be used (assuming V_{DD} is applied as a step function).

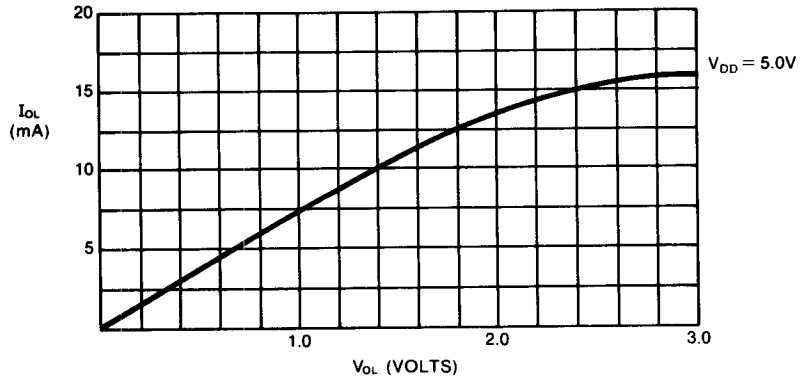
POWER DISSIPATION DERATING GRAPH



NOTES:

1. 70°C is the maximum operating temperature for standard parts.
2. 85° is the maximum operating temperature for "I" suffix parts.

OUTPUT SINK CURRENT GRAPH



The Output Sink Current is dependent on the output load. This chart shows the typical curve used to express the output drive capability.

**V_{OH} VS I_{OH} (I/O PORTS)
(Typical)**

