

Recording Studio

Sliding Glass Doors

STC 65



Also World Record

Studio Windows & Steel Doors



SOUNDPROOF[®]
WINDOWS, INC.



4673 Aircenter Circle . Reno, NV 89502 877.438.7843

Who is Soundproof Windows anyway ?

Soundproof Windows, Inc. is the national leader in noise abatement windows. Their soundproofing windows offer STC values from 48 to 57 and work as a second window behind any existing residential or commercial window. Since 1998 they have been developing and perfecting high quality acoustic windows and doors. Now their technology, experience, and expertise is being used to develop products for the recording studio industry. The Soundproof Window studio products are very competitive and they outperform most, if not all, of our competitor's products. Because of the high volume of windows and doors sold by Soundproof Windows in the commercial and residential markets, the recording studio market can now get high quality products at reasonable, volume based prices.

Soundproof Windows has achieved many *FIRSTS* in the Recording Studio Industry:

- **We were the first to offer studio windows with STC values starting in the 60s**
- **We were the first to offer acoustically viable, operable studio windows - also with STCs starting in the 60s**
- **We were the first to offer acoustically viable sliding glass doors - also with STCs starting in the 60s**
- **We are the first to offer standard 1.75" thick doors with STC values above 53**
- **We are the first to offer super clear low-iron glass - standard.**

www.soundproofstudios.com
www.soundproofwindows.com

1.877.438.7843

1.775.829.8900

email: sales@soundproofwindows.com

StudioMax™ Window

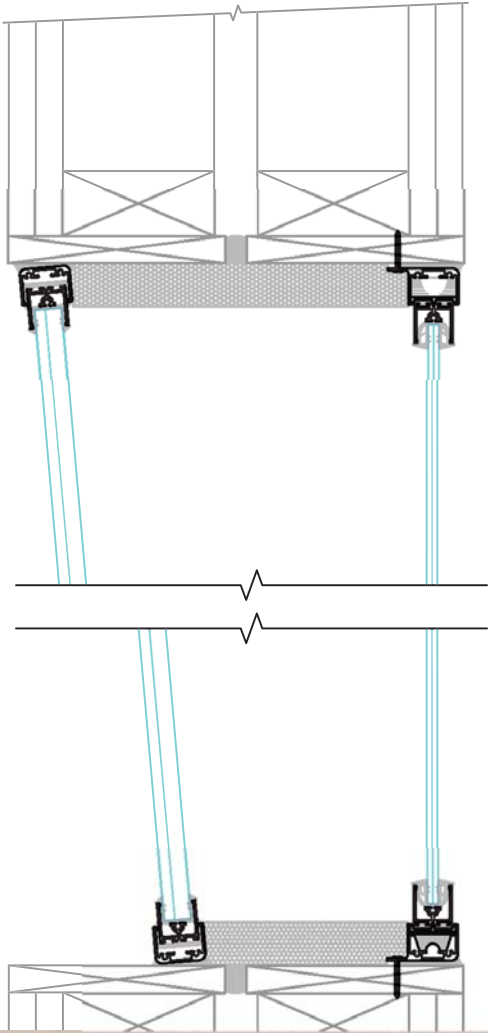
by Soundproof Windows, Inc.

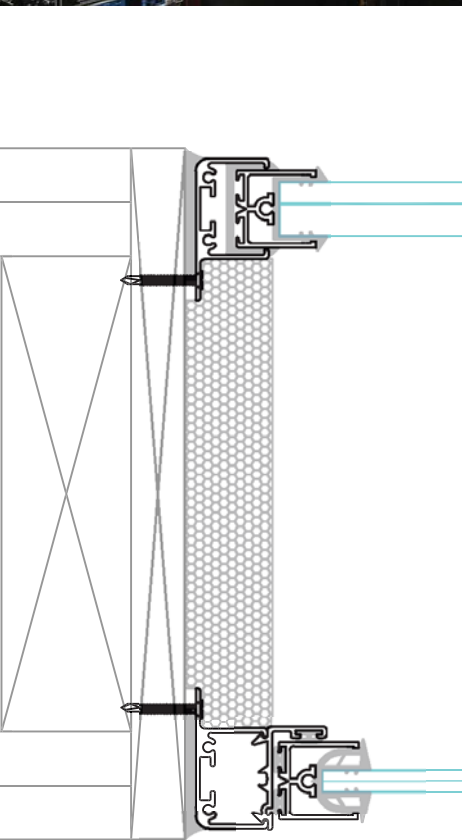
STC 64

- Easy to Install
- Slanted Glass is field adjustable
- Easy to clean and maintain

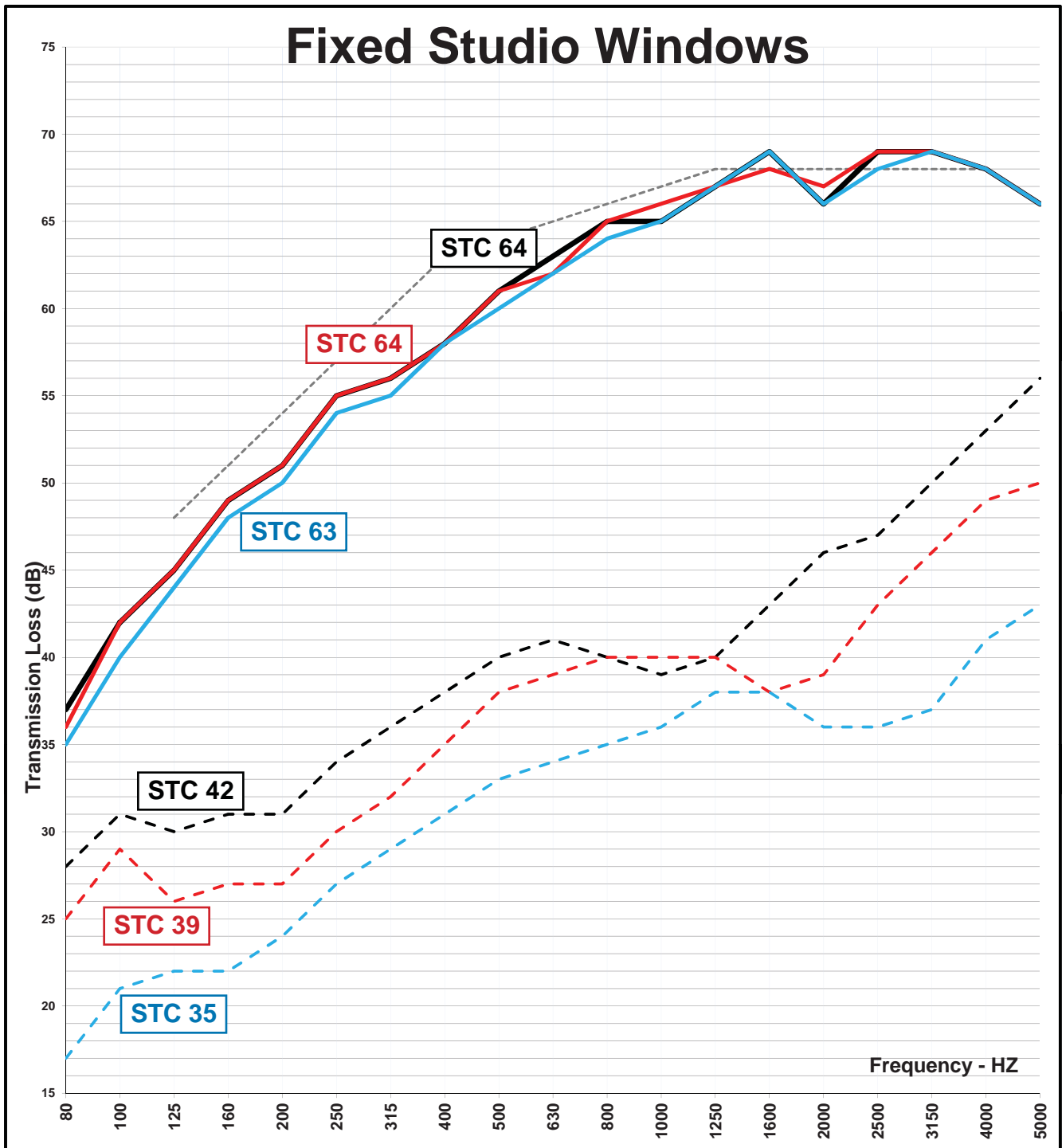
Slanted or Vertical Windows: Our studio windows consist of two independent fixed windows on each side of your window opening. Either or both windows can be slanted – your choice. The window angle is easily adjusted during installation. One window has a removable glass panel, so you can always clean between the windows or even use it as a trophy case.

Operable Sliding Windows: Two sliding windows allow you to open up between the two rooms and have more personable direct discussions while not recording. With an STC 65, this is now a viable option never before possible.





Fixed Studio Windows



Solid Color Lines:

- BLACK** - 5/8" + 5/8" Laminated Glass Windows (ST650 + ST650R)
- RED** - 5/8" + 3/8" Laminated Glass Windows (ST650 + ST400R)
- BLUE** - 5/8" + 1/4" Laminated Glass Windows (ST650 + ST250R)

Dotted Lines:

- BLACK** - single window 5/8" Laminated Glass Window (ST650)
- RED** - single window 3/8" Laminated Glass Window (ST400)
- BLUE** - sliding door 1/4" Laminated Glass Window (SGD250)

	STC	OITC	80	100	125	160	200	250	315	400	500	630	800	1000	1250	1600	2000	2500	3150	4000	5000	
1/3 Octave Band (HZ)																						
64 STC Curve					48	51	54	57	60	63	64	65	66	67	68	68	68	68	68	68	68	
----- ST650	42	37	28	31	30	31	31	34	36	38	40	41	40	39	40	43	46	47	50	53	56	TL15-530
———— ST650 ST650R	64	53	37	42	45	49	51	55	56	58	61	63	65	65	67	69	66	69	69	68	66	TL15-533
----- ST400	39	34	25	29	26	27	27	30	32	35	38	39	40	40	40	38	39	43	46	49	50	TL15-545
———— ST650 ST400R	64	52	36	42	45	49	51	55	56	58	61	62	65	66	67	68	67	69	69	68	66	TL15-532
----- SGD250	35	29	17	21	22	22	24	27	29	31	33	34	35	36	38	38	36	36	37	41	43	TL15-561
———— ST650 ST250R	63	51	35	40	44	48	50	54	55	58	60	62	64	65	67	69	66	68	69	68	66	TL15-531

StudioMax™ Door

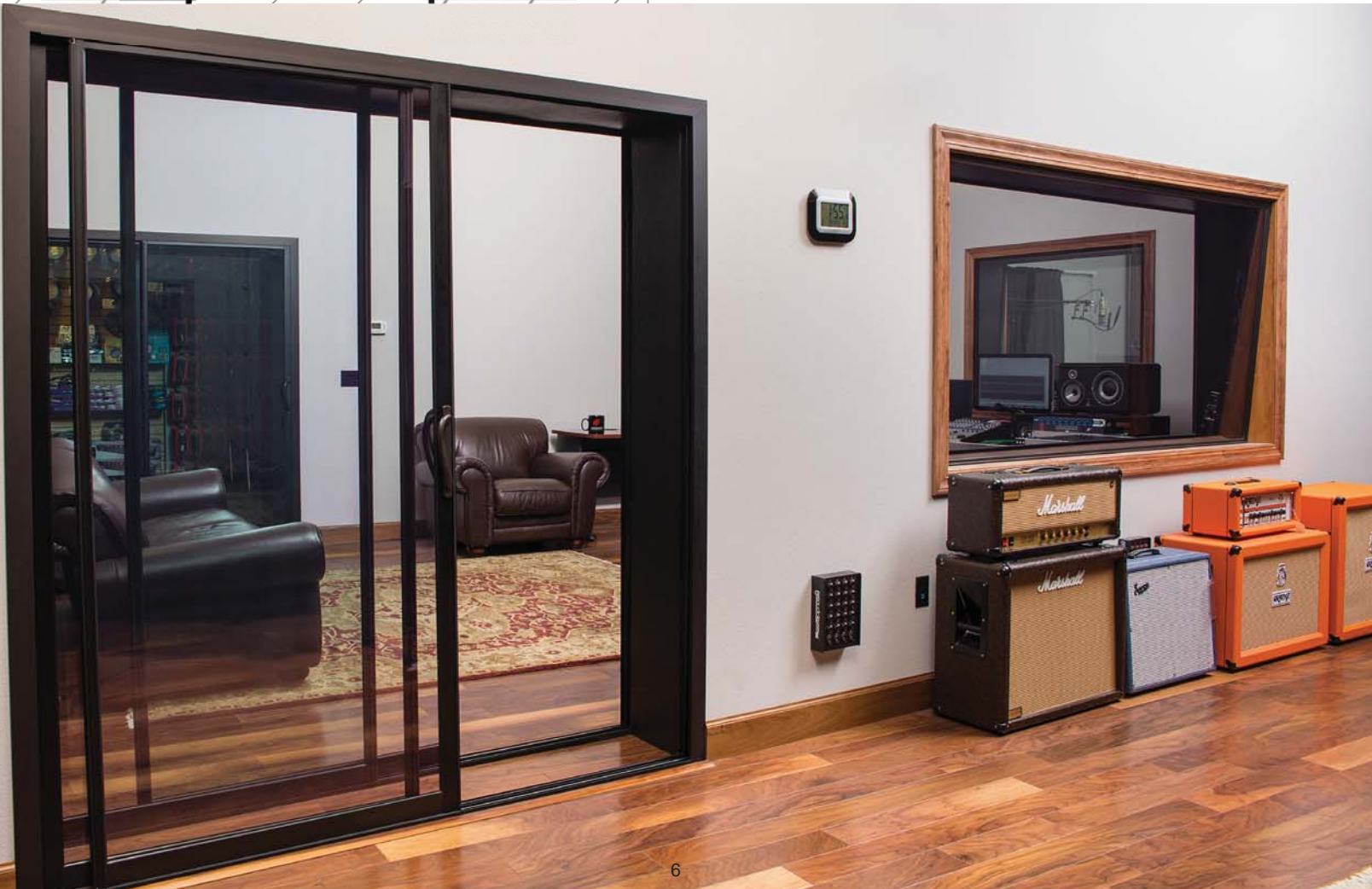
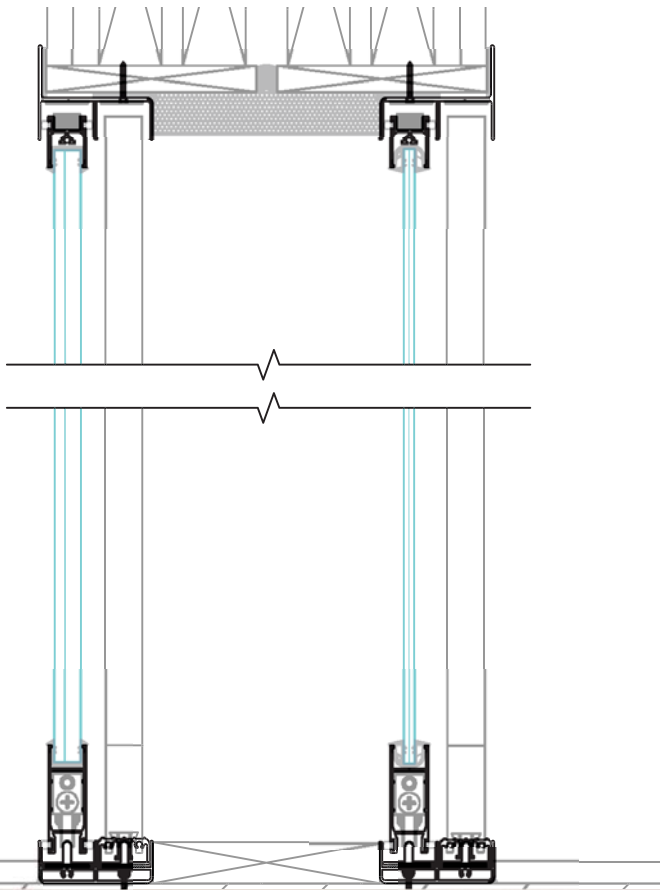
by Soundproof Windows, Inc.

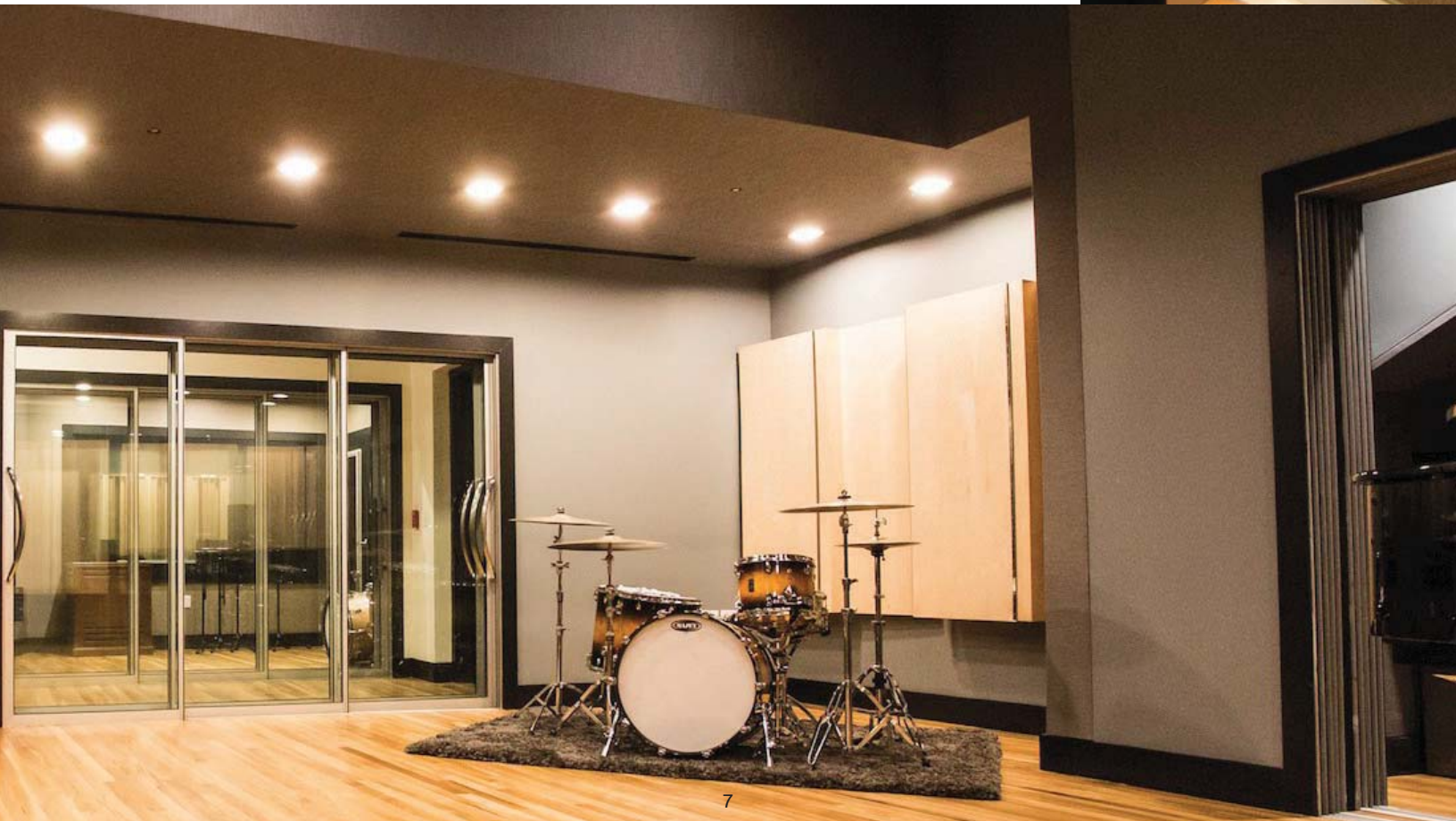
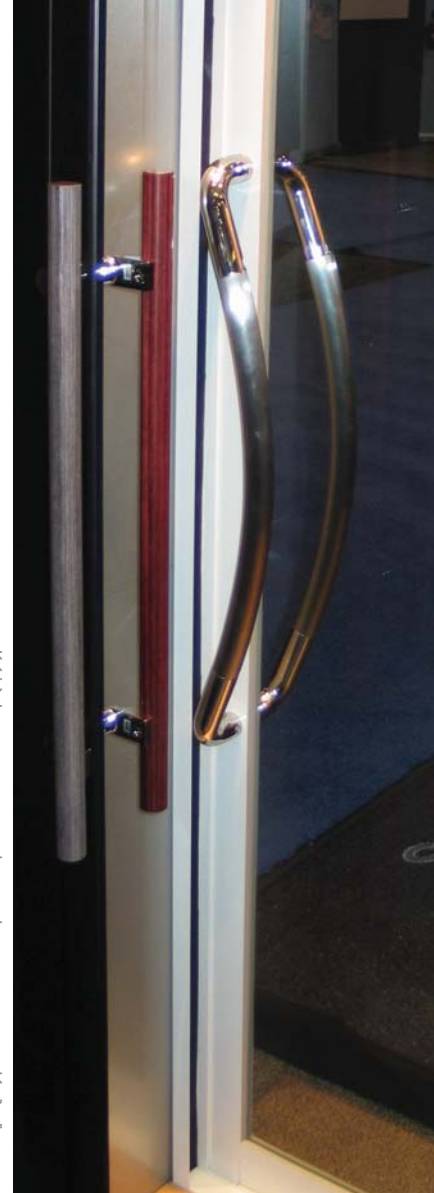
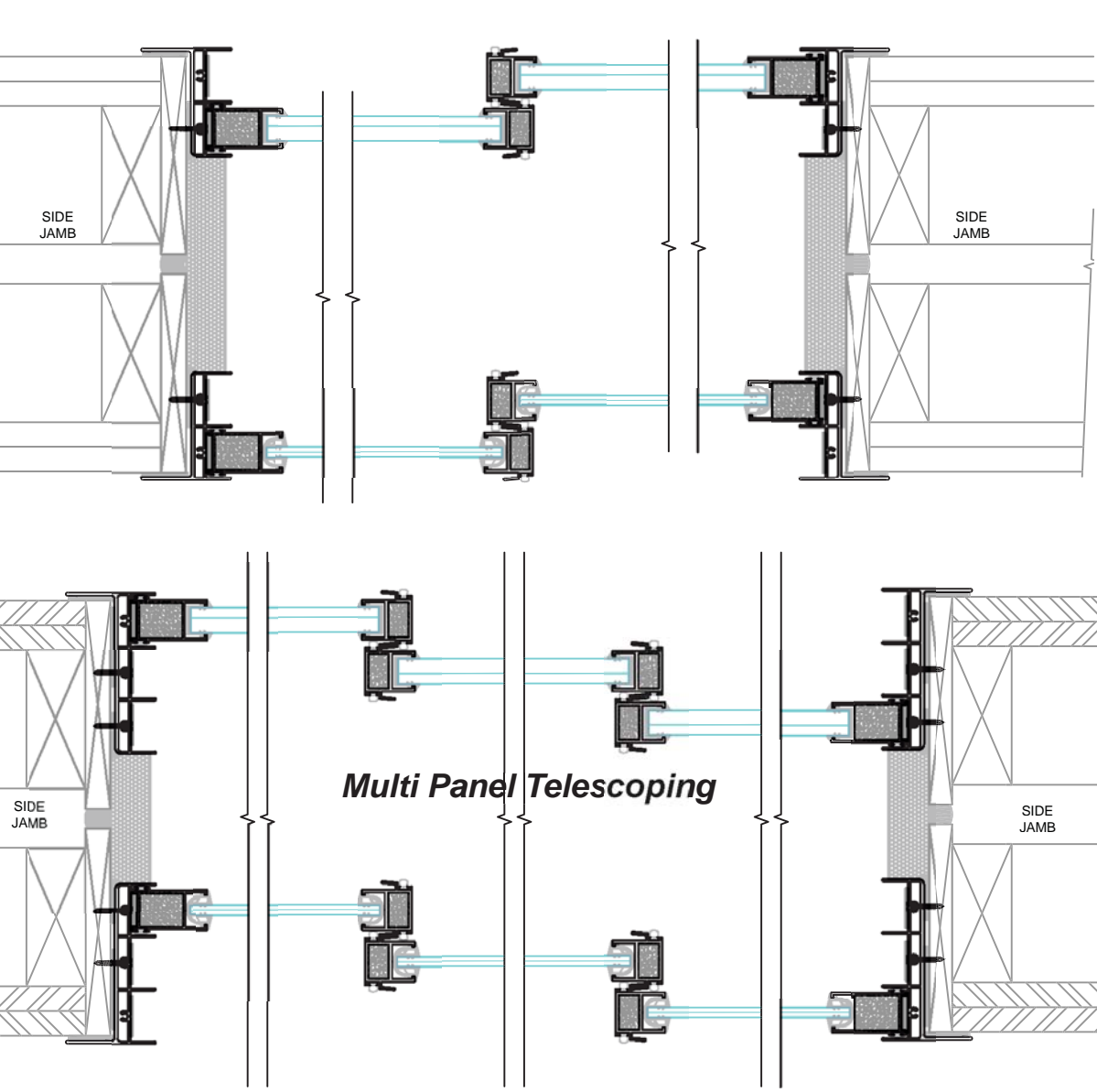
STC 65

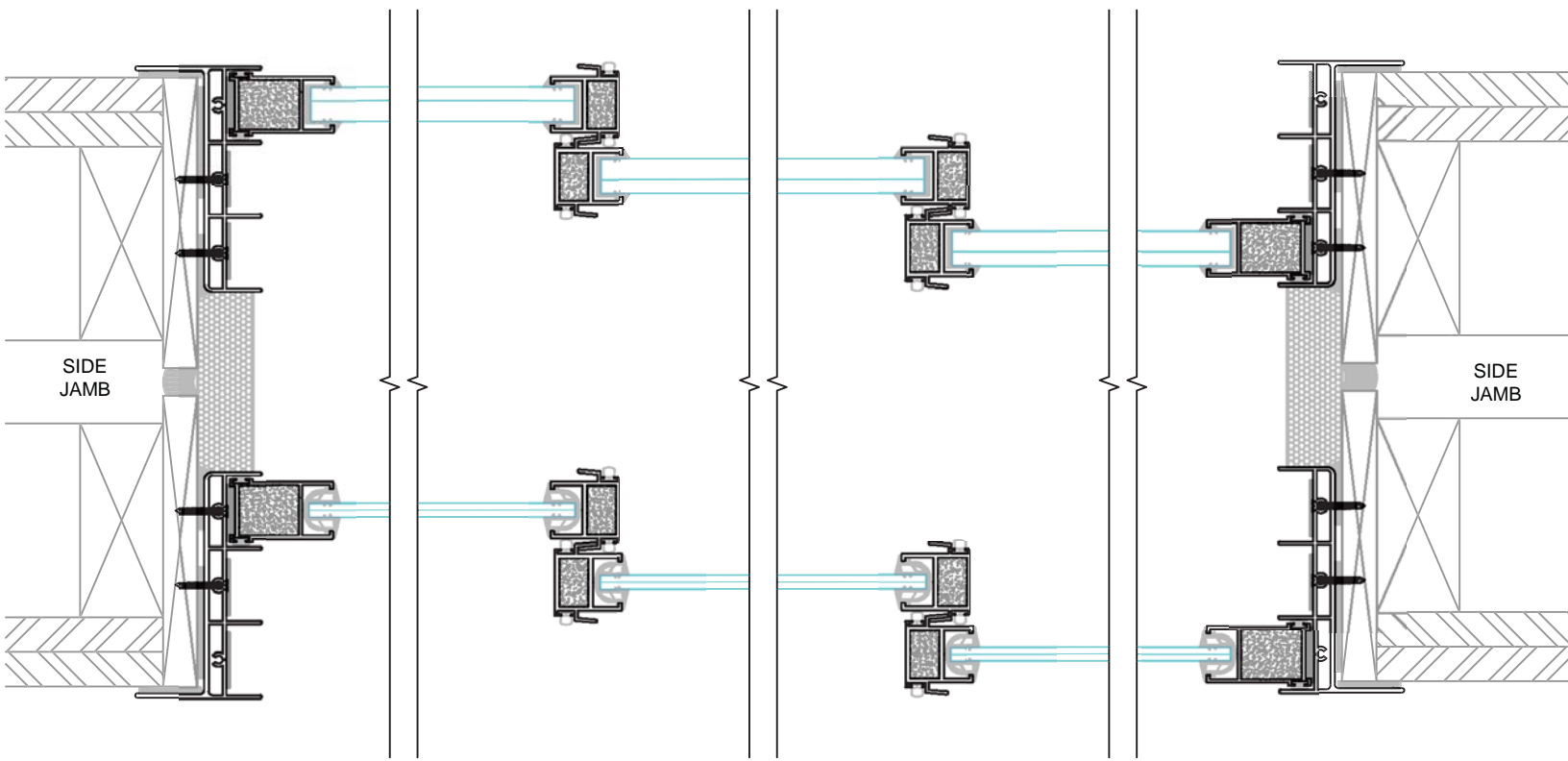
Sliding Glass Doors

- Incredible low frequency noise reduction
- No swing in or swing out obstructions
- All panels are removable, so you can utilize the full door opening width when needed
- Audience viewing easily accommodated

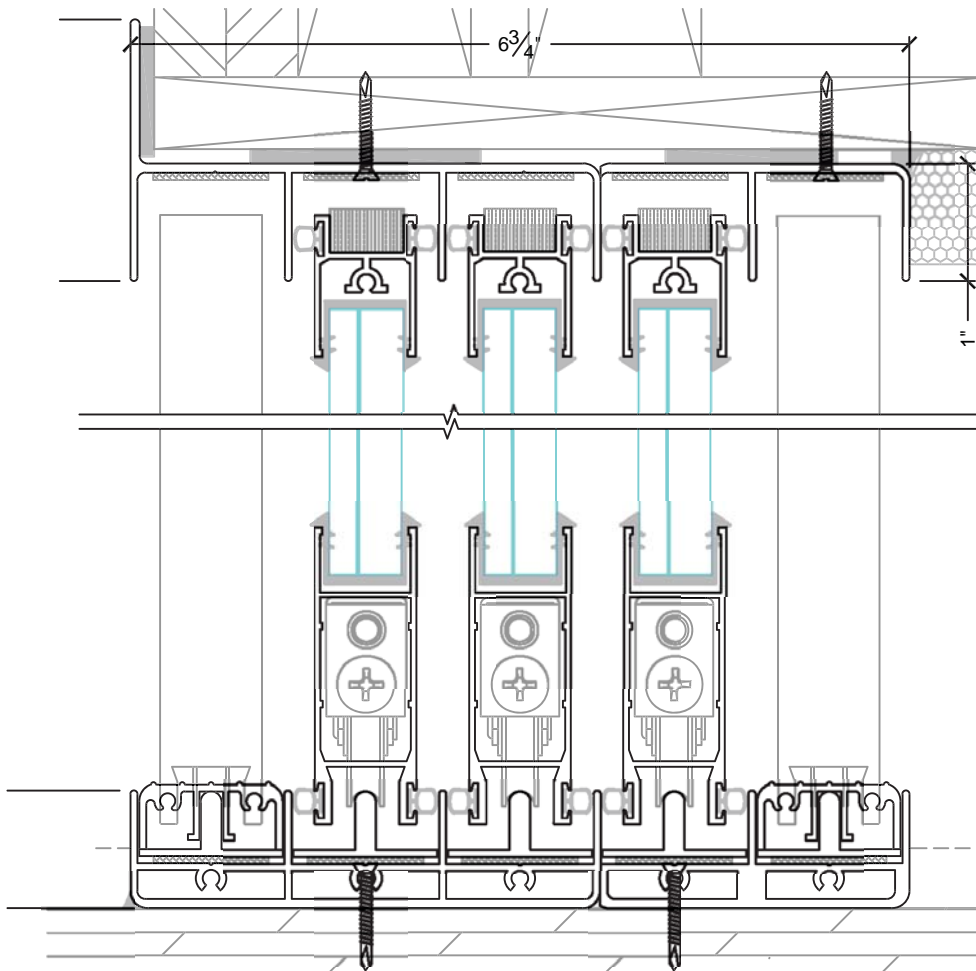
A sliding glass door mounted on each side of your door opening. This set of doors will give you an STC of 65 with incredible low frequency noise reductions. Telescoping multi-panel doors offer you even more creative possibilities.



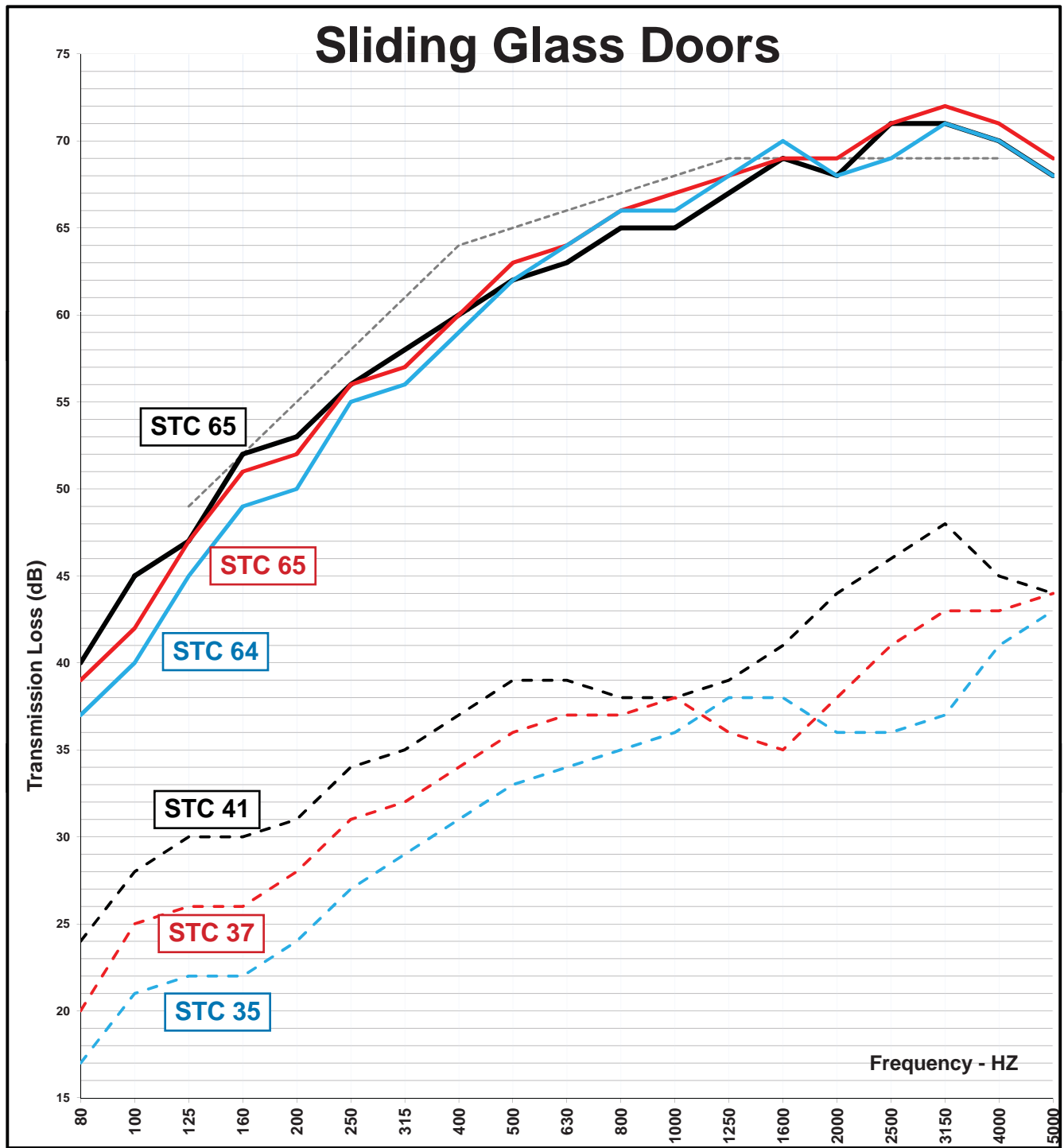




TELESCOPING SLIDING GLASS DOORS



A OPTIONAL 5 TRACK INSTALLATION



Solid Color Lines:

- BLACK** - 5/8" + 5/8" Laminated Glass Sliding Glass Door (SGD650 + SGD650)
- RED** - 5/8" + 3/8" Laminated Glass Sliding Glass Door (SGD650 + SGD400)
- BLUE** - 5/8" + 1/4" Laminated Glass Sliding Glass Door (SGD650 + SGD250)

Dotted Lines:

- BLACK** - single door 5/8" Laminated Glass Sliding Glass Door (SGD650)
- RED** - single door 3/8" Laminated Glass Sliding Glass Door (SGD400)
- BLUE** - single door 1/4" Laminated Glass Sliding Glass Door (SGD250)

	STC		OITC																		
	80	100	125	160	200	250	315	400	500	630	800	1000	1250	1600	2000	2500	3150	4000	5000		
1/3 Octave Band (HZ)																					
65 STC Curve																					
----- SGD650	41	36	24	28	30	30	31	34	35	37	39	39	38	38	39	41	44	46	48	45	44
----- SGD650 SGD650 11"	65	55	40	45	47	52	53	56	58	60	62	63	65	65	67	69	68	71	71	70	68
----- SGD400	37	32	20	25	26	26	28	31	32	34	36	37	37	38	36	35	38	41	43	43	44
----- SGD650 SGD400 11"	65	54	39	42	47	51	52	56	57	60	63	64	66	67	68	69	69	71	72	71	69
----- SGD250	35	29	17	21	22	22	24	27	29	31	33	34	35	36	38	38	36	36	37	41	43
----- SGD650 SGD250 11"	64	52	37	40	45	49	50	55	56	59	62	64	66	66	68	70	68	69	71	70	68

STEEL DOORS



56 STC
1.75" Thick

Cam Lift Hinges

Uses off-the-shelf hardware

STEEL DOOR Model 175C1



- **Highest STC of Any Acoustical Door**

We offer the highest STC of any 1.75" door offered by any manufacturer in the world. Not just higher but 3+ points higher! Our award winning acoustic design is patented.

- **3 Cam Lift Hinges Standard (not just optional)**

Other manufacturers offer two hinges as their standard. Our standard is three heavy weight capacity cam lift hinges (900# capacity). Three hinges should be mandatory for any acoustical door - because of weight, heavy traffic use, and long term maintenance. The cost difference is \$150-200. Look at any building or home - can you find any doors with only two hinges?

- **Uses Off-the-Shelf Locksets and Hardware**

Any standard door hardware can be used on our 1.75" door. No need for \$700 special locksets. No need to use push/pull doors simply to avoid the expensive locksets. Our door is tested using a Home Depot lockset.

- **Wider Doors for Any Given Rough Opening Size**

With a rough opening of 39.5", all other acoustic door manufacturers will give you a clear opening width of 33.5" or less. We will give you a clear opening of 36.0". Our doors are about 3 inches wider than other manufacturers when mounted into the same wall opening.

- **New Door Frame Design**

Our unique slip-in door frame is extraordinarily simple and works best with a double studded wall. Do not short out the isolation between the two walls you spent money and effort building. We attach to one side of your opening - not both. All our door and window designs enhance the double studded walls by NOT connecting across the wall separation.

- **Custom Sizes are Our Standard**

We can make our doors virtually any size.

\$ 4,350.⁰⁰*

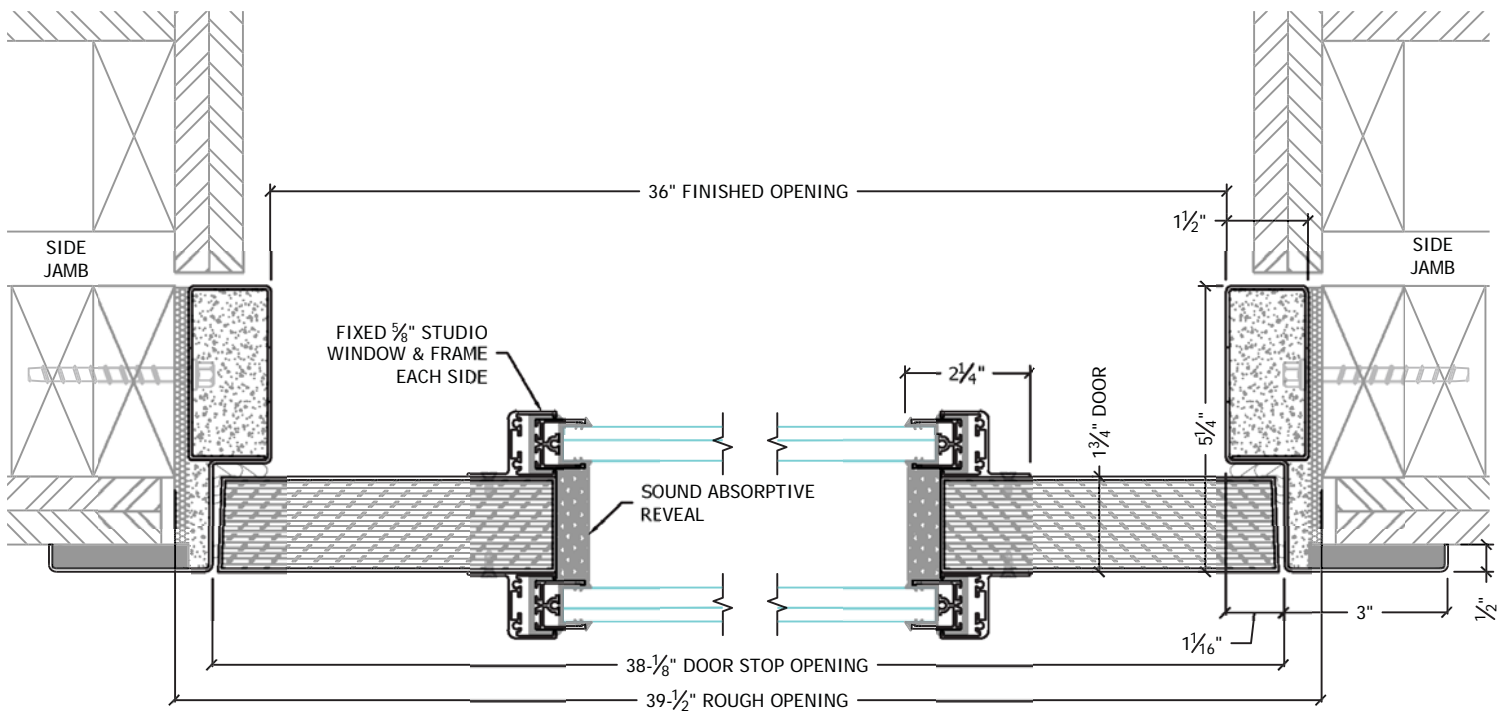
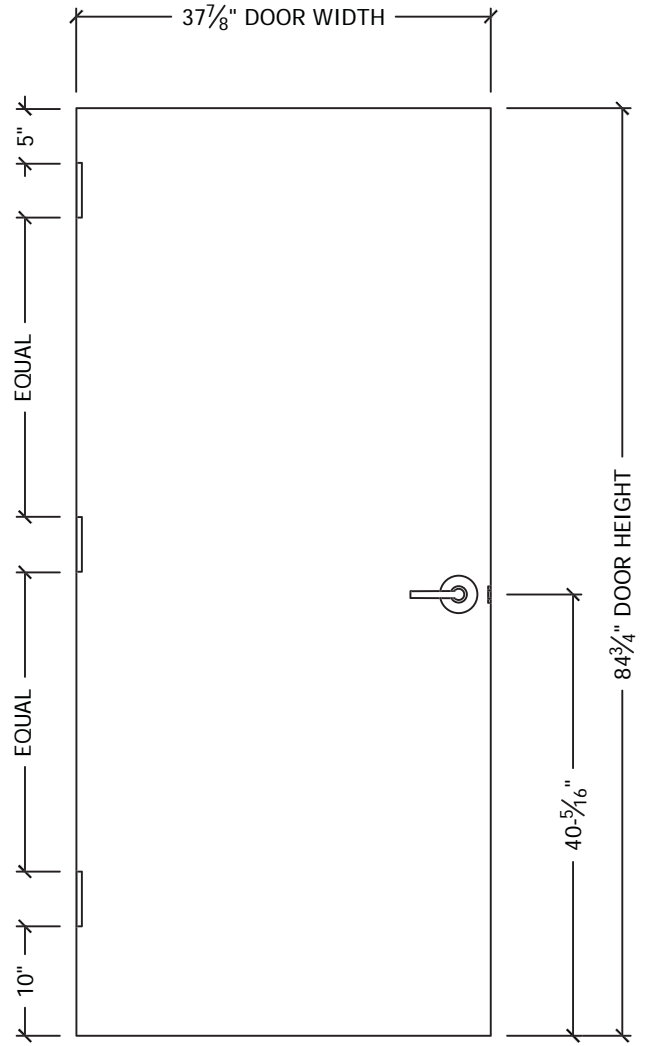
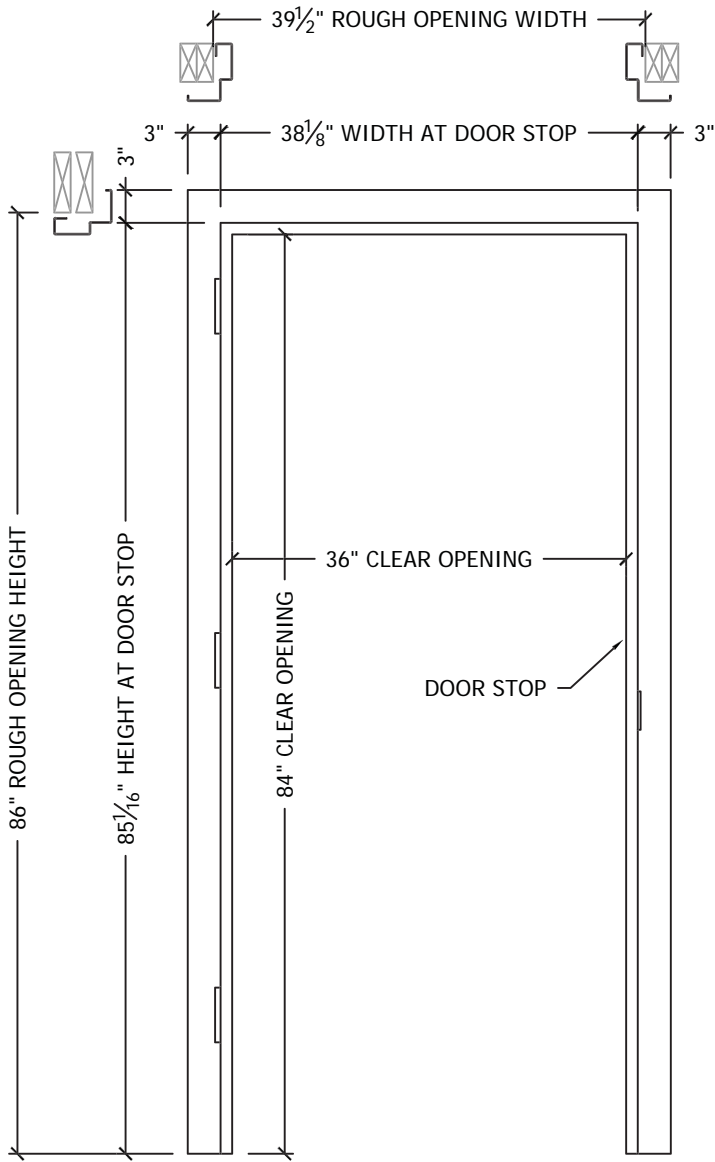
- **3070 door with grey primer paint**
- **3 cam lift hinges - 900# capacity**
- **All gasketing and seals**
- **Slip-in door frames**

Full View Glass Option \$ 750.00

Does not include freight, latch hardware, or installation

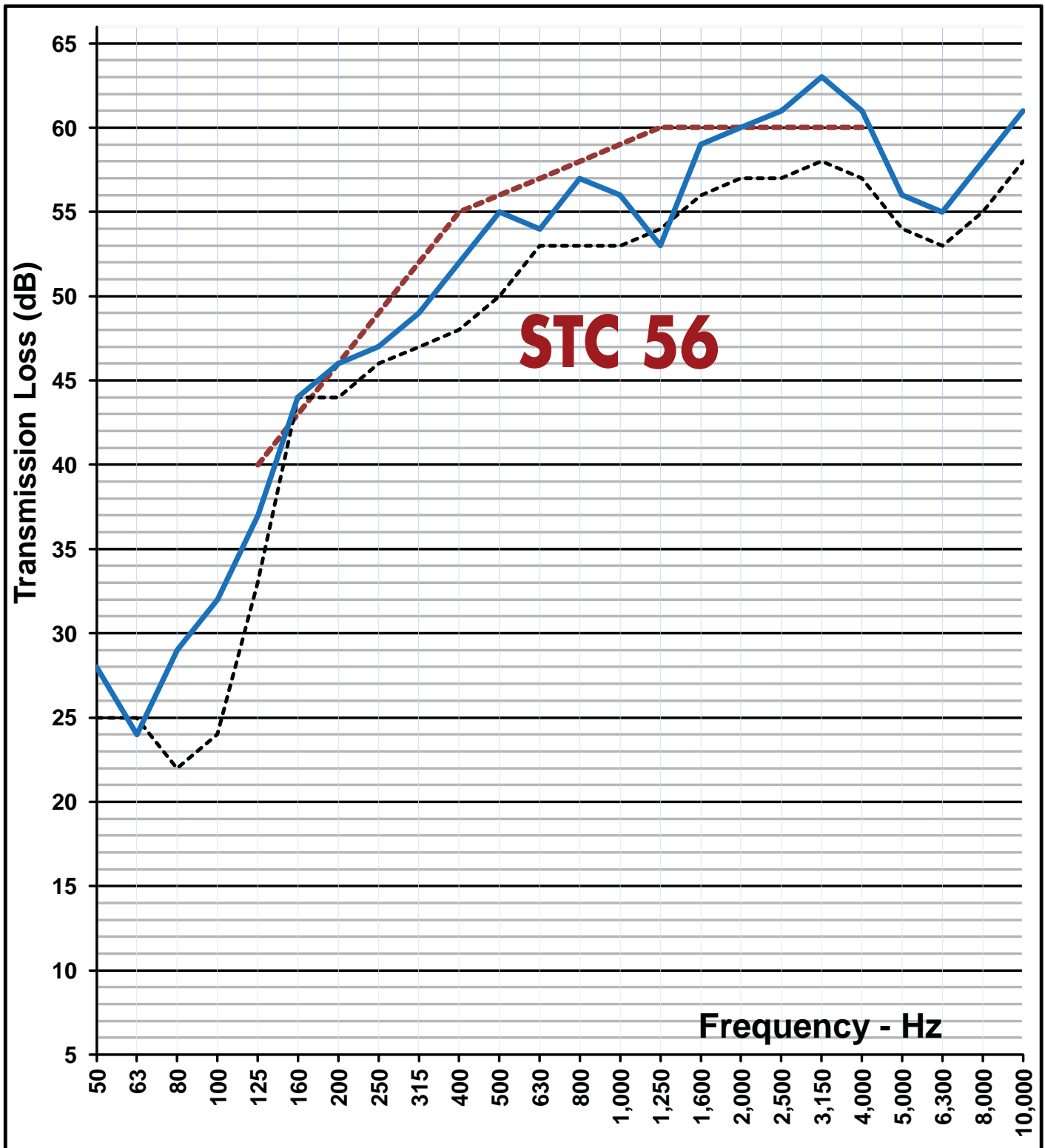
*Pricing as of October 2015 - subject to change.





STEEL DOOR

Model 175C



— 175C Steel Door - - - - - 175CG View Lite (5"x29") Steel Door - - - - - 56 STC Curve



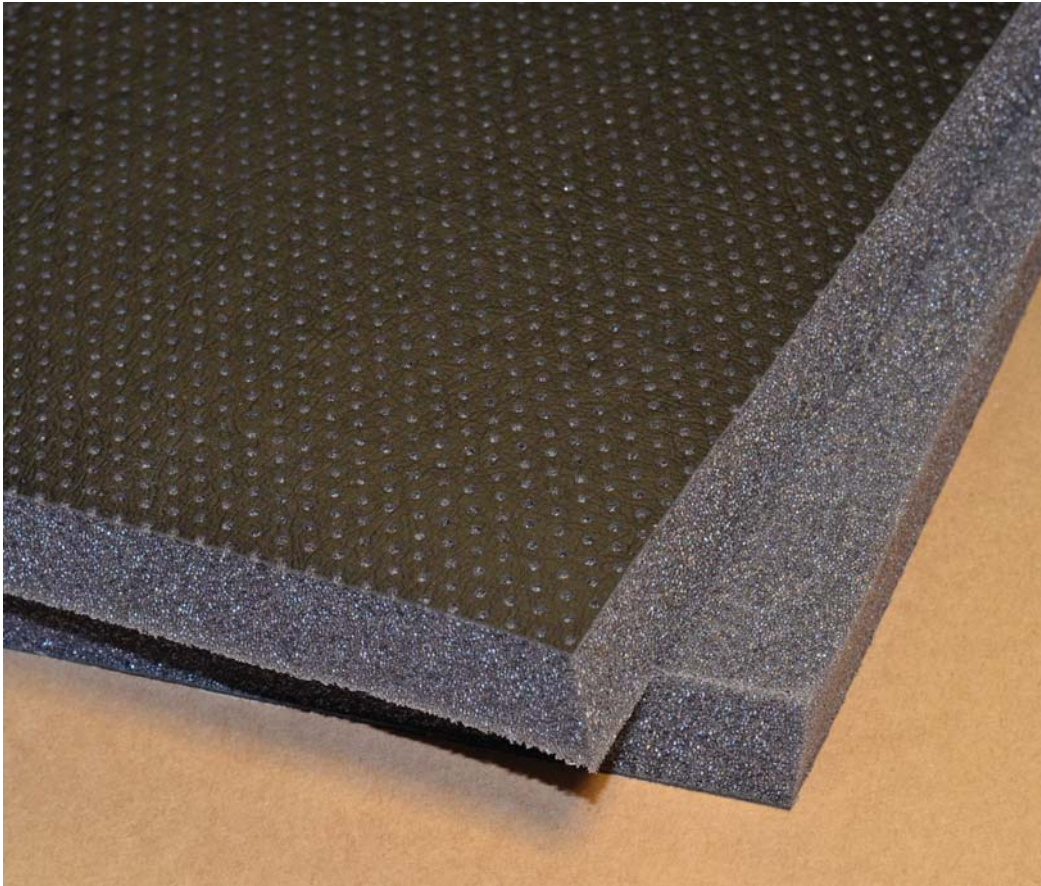
Our steel doors are fully lab tested in accordance with ASTM E90-09 by NWAALabs. Our 175CG view lite steel door has also been tested by JGL Acoustics. JGL Acoustics used their own equipment and measured the same door installation immediately after the NWAALabs test. Both testing agencies measured the same STC rating with the same TL spectrum within allowable measurement tolerances. Please request our test results package.



Think Loud Studios
Malvicino Design Group

NEW SPW Sound Foam

Sound absorbing foam for between windows and doors.



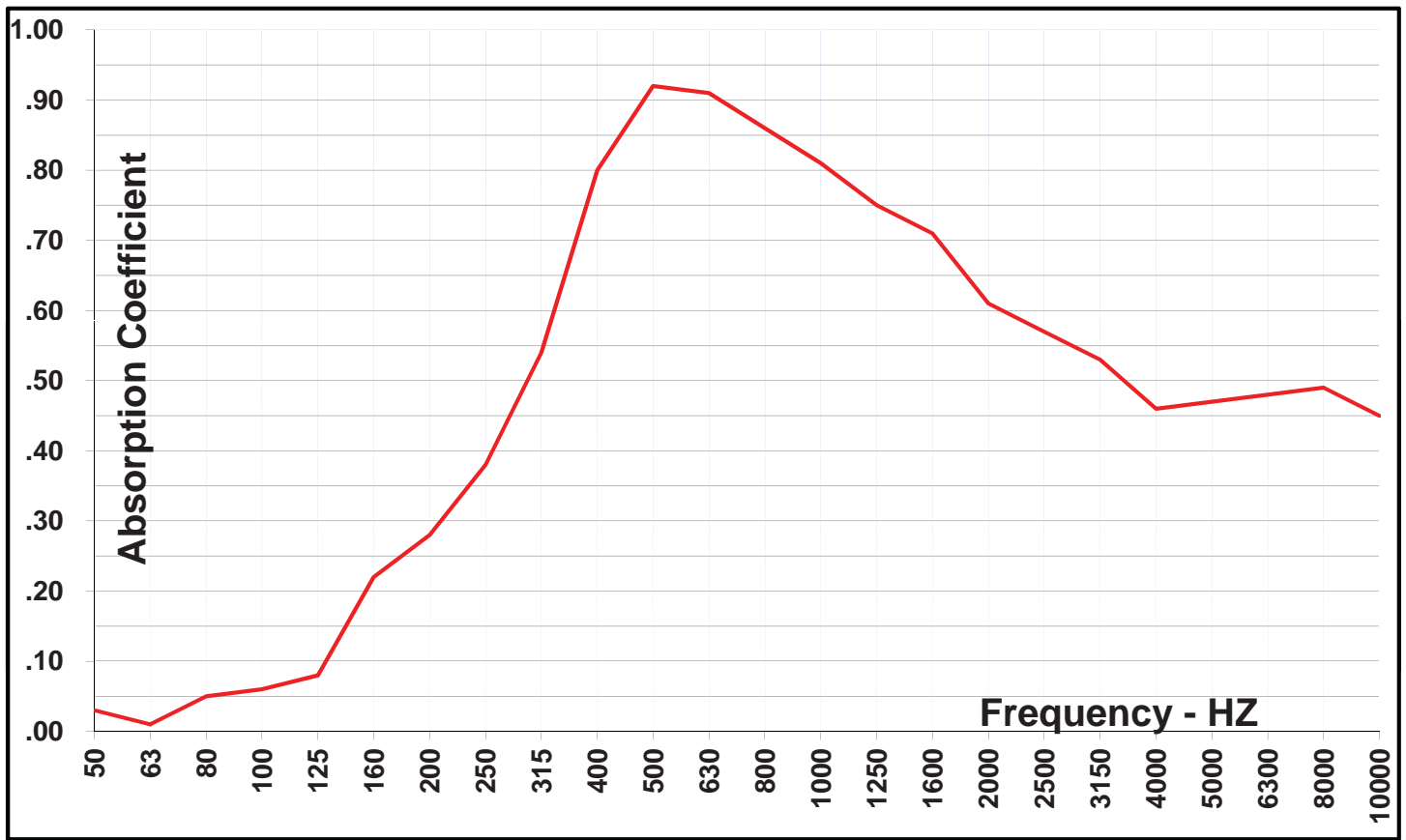
NRC .70

- **Cost Effective**
- **Easy to Install**
- **Excellent NRC**

Our **Soundproof Window (SPW) Sound Foam** is a new acoustic absorptive foam designed to enhance our windows and doors. We designed the foam specifically to fill in the space between two windows or two sliding glass doors. It is inexpensive, easy to install, and it is very effective. It is a quick and easy way to treat the space between our windows and doors.



SPW Sound Foam



1/3 Octave Band (Hz)	50	63	80	100	125	160	200	250	315	400	500	630	800	1000	1250	1600	2000	2500	3150	4000	5000	6300	8000	10000	NWAA	
SPW Sound Foam	NRC .70	.03	.01	.05	.06	.08	.22	.28	.38	.54	.80	.92	.91	.86	.81	.75	.71	.61	.57	.53	.46	.47	.48	.49	.45	NWAA



The lab test results graphed above are very new. The NWAA lab tests facility accurately measures the results from 50 Hz to 10,000 Hz.

The tests results in this catalog did use the SPW Sound Foam between door and window assemblies. Using most comparable foams or absorption techniques should get you similar results. Most of the tests were improved one to two STC points by using this absorptive foam.

We sell the SPW Sound Foam in 54" wide rolls for \$20.00 per running foot. Please ask for a sample. It is easy and quick to install.



The Look of Normal Studio Glass

Studio windows always use thick glass. Since all normal glass has a green tint, all studio windows have a green tint. The pictures on this page show the “normal” look.



Photographing the differences was a challenge. We replaced the green normal glass with the low iron glass. These photos use the exact same camera position, lighting - everything.

“The color distortion is gone. After having the green glass for three years, the change to low-iron is amazing. These photos do not do justice to the dramatic impact the improvements have made to the entire studio experience and work environment. No color distortion and incredible noise reduction. A phenomenal combination.”

- Chris Sewell, JamPro Music Factory

DRAMATIC

Now Look at CLEAR Studio Glass

Clear low-iron glass. Dramatic, true colors. Stunning clarity. Almost invisible. Compare these photographs. Which would you prefer?



No More Green Tint

Super Clear
GLASS

STANDARD

- Stunning Clarity
- No Color Distortion
- Almost Invisible Glass

Many pictures in this brochure do not have low-iron glass because the changes to low-iron glass is new.

IMPROVEMENT



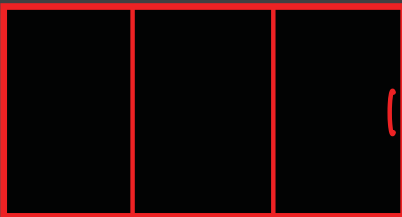
SOUNDPROOF STUDIOS

Affordable Recording Studio Windows and Doors



Acoustic Steel Doors

Our recording studio acoustic steel doors have set a new world record for noise abatement. We have an STC of 56 while staying with the door industry standard thickness of 1.75". With a standard door thickness we can accommodate any door hardware.



Sliding Glass Doors

Acoustically viable sliding glass doors (world record STC 65) offer many new creative design possibilities. With our telescoping door options you can make it as wide as you want. Compared to steel doors, these doors cost less and do not require the swing space that steel doors require.



Recording Studio Windows

Our studio windows can be slanted, vertical or operable. Slant angles can be adjusted in the field. With STC values of 63-65 our windows are as good as most walls. Low-iron super clear (no green tint) glass is standard in all our windows and doors.