

---

---

## Section 16. Output Compare

---

---

### HIGHLIGHTS

This section of the manual contains the following major topics:

16.1	Introduction .....	16-2
16.2	Output Compare Registers .....	16-3
16.3	Operation .....	16-6
16.4	Interrupts .....	16-33
16.5	I/O Pin Control .....	16-34
16.6	Operation In Power-Saving and Debug Modes .....	16-35
16.7	Effects of Various Resets .....	16-35
16.8	Output Compare Application .....	16-36
16.9	Design Tips .....	16-38
16.10	Related Application Notes .....	16-39
16.11	Revision History .....	16-40

**Note:** This family reference manual section is meant to serve as a complement to device data sheets. Depending on the device variant, this manual section may not apply to all PIC32 devices.

Please consult the note at the beginning of the “**Output Compare**” chapter in the current device data sheet to check whether this document supports the device you are using.

Device data sheets and family reference manual sections are available for download from the Microchip Worldwide Web site at: <http://www.microchip.com>

## 16.1 INTRODUCTION

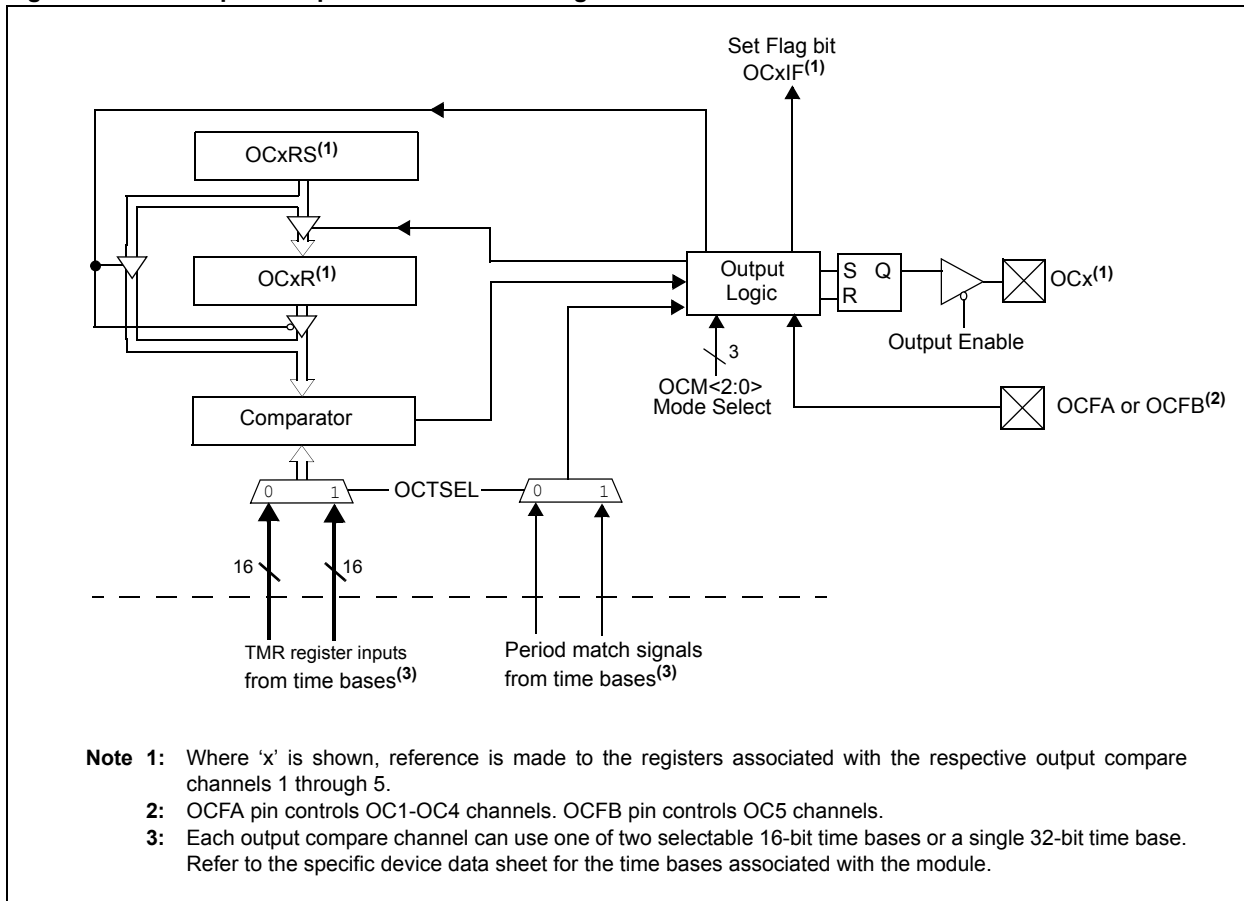
The Output Compare module is primarily used to generate a single pulse or a series of pulses in response to selected time base events.

The following are some of the key features of the Output Compare module:

- Multiple Output Compare modules in a device
- Single and Dual Compare modes
- Single and continuous output pulse generation
- Pulse-Width Modulation (PWM) mode
- Programmable interrupt generation on compare event
- Hardware-based PWM Fault detection and automatic output disable
- Programmable selection of 16 or 32-bit time bases
- Operate from either of two available 16-bit time bases or a single 32-bit time base

Figure 16-1 illustrates the block diagram of an Output Compare module.

**Figure 16-1: Output Compare Module Block Diagram**



## 16.2 OUTPUT COMPARE REGISTERS

**Note:** Each PIC32 family device variant may have one or more Output Compare modules. An 'x' used in the names of pins, control/status bits and registers denotes the particular module. Refer to the specific device data sheets for more details.

Each Output Compare module consists of the following Special Function Registers (SFRs):

- **OCxCON: Output Compare 'x' Control Register**
- **OCxR: Output Compare 'x' Compare Register**
- **OCxRS: Output Compare 'x' Secondary Compare Register**

Table 16-1 summarizes all output compare related registers. Corresponding registers appear after the summary, followed by a detailed description of each register.

**Table 16-1: Output Compare SFR Summary**

Name	Bit	Bit	Bit	Bit	Bit	Bit	Bit	Bit
	31/23/15/7	30/22/14/6	29/21/13/5	28/20/12/4	27/19/11/3	26/18/10/2	25/17/9/1	24/16/8/0
OCxCON <sup>(1,2,3)</sup>	31:24	—	—	—	—	—	—	—
	23:16	—	—	—	—	—	—	—
	15:8	ON	—	SIDL	—	—	—	—
	7:0	—	—	OC32	OCFLT	OCTSEL	OCM<2:0>	
OCxR <sup>(1,2,3)</sup>	31:24	OCxR<31:24>						
	23:16	OCxR<23:16>						
	15:8	OCxR<15:8>						
	7:0	OCxR<7:0>						
OCxRS <sup>(1,2,3)</sup>	31:24	OCxRS<31:24>						
	23:16	OCxRS<23:16>						
	15:8	OCxRS<15:8>						
	7:0	OCxRS<7:0>						

**Legend:** — = unimplemented, read as '0'.

- Note 1:** This register has an associated Clear register at an offset of 0x4 bytes. The Clear register has the same name with CLR appended to the register name (e.g., OCxCONCLR). Writing a '1' to any bit position in the Clear register will clear valid bits in the associated register. Reads from the Clear register should be ignored.
- 2:** This register has an associated Set register at an offset of 0x8 bytes. The Set register has the same name with SET appended to the register name (e.g., OCxCONSET). Writing a '1' to any bit position in the Set register will set valid bits in the associated register. Reads from the Set register should be ignored.
- 3:** This register has an associated Invert register at an offset of 0xC bytes. The Invert register has the same name with INV appended to the register name (e.g., OCxCONINV). Writing a '1' to any bit position in the Invert register will invert valid bits in the associated register. Reads from the Invert register should be ignored.

# PIC32 Family Reference Manual

**Register 16-1: OCxCON: Output Compare 'x' Control Register**

Bit Range	Bit 31/23/15/7	Bit 30/22/14/6	Bit 29/21/13/5	Bit 28/20/12/4	Bit 27/19/11/3	Bit 26/18/10/2	Bit 25/17/9/1	Bit 24/16/8/0
31:24	U-0	U-0	U-0	U-0	U-0	U-0	U-0	U-0
	—	—	—	—	—	—	—	—
23:16	U-0	U-0	U-0	U-0	U-0	U-0	U-0	U-0
	—	—	—	—	—	—	—	—
15:8	R/W-0	U-0	R/W-0	U-0	U-0	U-0	U-0	U-0
	ON <sup>(1)</sup>	—	SIDL	—	—	—	—	—
7:0	U-0	U-0	R/W-0	R-0	R/W-0	R/W-0	R/W-0	R/W-0
	—	—	OC32	OCFLT <sup>(2)</sup>	OCTSEL	OCM<2:0>		

**Legend:**

R = Readable bit	W = Writable bit	U = Unimplemented bit, read as '0'
-n = Value at POR	'1' = Bit is set	'0' = Bit is cleared
		x = Bit is unknown

bit 31-16 **Unimplemented:** Read as '0'

bit 15 **ON:** Output Compare Peripheral On bit<sup>(1)</sup>

1 = Output compare peripheral is enabled

0 = Output compare peripheral is disabled and not drawing current. SFR modifications are allowed. The status of other bits in this register are not affected by setting or clearing this bit

bit 14 **Unimplemented:** Read as '0'

bit 13 **SIDL:** Stop in Idle Mode bit

1 = Discontinue operation when CPU enters Idle mode

0 = Continue operation in Idle mode

bit 12-6 **Unimplemented:** Read as '0'

bit 5 **OC32:** 32-bit Compare Mode bit

1 = OCxR<31:0> and/or OCxRS<31:0> is used for comparisons to the 32-bit timer source

0 = OCxR<15:0> and OCxRS<15:0> are used for comparisons to the 16-bit timer source

bit 4 **OCFLT:** PWM Fault Condition Status bit<sup>(2)</sup>

1 = PWM Fault condition has occurred (cleared in hardware only)

0 = No PWM Fault condition has occurred

bit 3 **OCTSEL:** Output Compare Timer Select bit

1 = Timer3 is the clock source for this Output Compare module

0 = Timer2 is the clock source for this Output Compare module

Refer to the specific device data sheet for the time bases that are available to the Output Compare module.

bit 2-0 **OCM<2:0>:** Output Compare Mode Select bits

111 = PWM mode on OCx; Fault pin enabled

110 = PWM mode on OCx; Fault pin disabled

101 = Initialize OCx pin low; generate continuous output pulses on OCx pin

100 = Initialize OCx pin low; generate single output pulse on OCx pin

011 = Compare event toggles OCx pin

010 = Initialize OCx pin high; compare event forces OCx pin low

001 = Initialize OCx pin low; compare event forces OCx pin high

000 = Output compare peripheral is disabled but continues to draw current

**Note 1:** When using 1:1 PBCLK divisor, the user's software should not read/write the peripheral's SFRs in the SYSCLK cycle immediately following the instruction that clears the module's ON bit.

**2:** This bit is only used when OCM<2:0> = 111 and reads as '0' in modes other than PWM mode.

Register 16-2: OCxR: Output Compare 'x' Compare Register

Bit Range	Bit 31/23/15/7	Bit 30/22/14/6	Bit 29/21/13/5	Bit 28/20/12/4	Bit 27/19/11/3	Bit 26/18/10/2	Bit 25/17/9/1	Bit 24/16/8/0
31:24	R/W-0	R/W-0	R/W-0	R/W-0	R/W-0	R/W-0	R/W-0	R/W-0
OCR<31:24>								
23:16	R/W-0	R/W-0	R/W-0	R/W-0	R/W-0	R/W-0	R/W-0	R/W-0
OCR<23:16>								
15:8	R/W-0	R/W-0	R/W-0	R/W-0	R/W-0	R/W-0	R/W-0	R/W-0
OCR<15:8>								
7:0	R/W-0	R/W-0	R/W-0	R/W-0	R/W-0	R/W-0	R/W-0	R/W-0
OCR<7:0>								

**Legend:**

R = Readable bit  
-n = Value at POR

W = Writable bit  
'1' = Bit is set

U = Unimplemented bit, read as '0'  
'0' = Bit is cleared  
x = Bit is unknown

bit 31-16 **OCxR<31:16>**: Upper 16 bits of 32-bit compare value, when OC32 (OCxCON<5>) = 1

bit 15-0 **OCxR<15:0>**: Lower 16 bits of 32-bit compare value or entire 16 bits of 16-bit compare value when OC32 = 0

Register 16-3: OCxRS: Output Compare 'x' Secondary Compare Register

Bit Range	Bit 31/23/15/7	Bit 30/22/14/6	Bit 29/21/13/5	Bit 28/20/12/4	Bit 27/19/11/3	Bit 26/18/10/2	Bit 25/17/9/1	Bit 24/16/8/0
31:24	R/W-0	R/W-0	R/W-0	R/W-0	R/W-0	R/W-0	R/W-0	R/W-0
OCRS<31:24>								
23:16	R/W-0	R/W-0	R/W-0	R/W-0	R/W-0	R/W-0	R/W-0	R/W-0
OCRS<23:16>								
15:8	R/W-0	R/W-0	R/W-0	R/W-0	R/W-0	R/W-0	R/W-0	R/W-0
OCRS<15:8>								
7:0	R/W-0	R/W-0	R/W-0	R/W-0	R/W-0	R/W-0	R/W-0	R/W-0
OCRS<7:0>								

**Legend:**

R = Readable bit  
-n = Value at POR

W = Writable bit  
'1' = Bit is set

U = Unimplemented bit, read as '0'  
'0' = Bit is cleared  
x = Bit is unknown

bit 31-16 **OCxRS<31:16>**: Upper 16 bits of 32-bit compare value when OC32 (OCxCON<5>) = 1

bit 15-0 **OCxRS<15:0>**: Lower 16 bits of 32-bit compare value or entire 16 bits of 16-bit compare value when OC32 = 0

## 16.3 OPERATION

Each Output Compare module has the following modes of operation:

- Single Compare Match mode
  - With output drive high
  - With output drive low
  - With output drive toggles
- Dual Compare Match mode
  - With single output pulse
  - With continuous output pulses
- Simple Pulse-Width Modulation mode
  - Without Fault protection input
  - With Fault protection input

**Note 1:** The Output Compare module must be turned OFF by the user application (i.e., clear the OCM<2:0> bits (OCxCON<2:0>)) before switching to a new mode. Changing modes while the module is in operation may produce unexpected results.

**2:** In this section, a reference to any SFRs associated with the selected timer source is indicated by a 'y' suffix. For example, PR2 is the Period register for the selected timer source, while TyCON is the Timer Control register for the selected timer source.

### 16.3.1 Single Compare Match Mode

When the OCM<2:0> control bits (OCxCON<2:0>) are set to '001', '010' or '011', the selected output compare channel is configured for one of three Single Output Compare Match modes. The compare time base must also be enabled.

In the Single Compare mode, the OCxR register is loaded with a value and is compared to the selected incrementing timer register, TMRy. On a compare match event, one of the following events will take place:

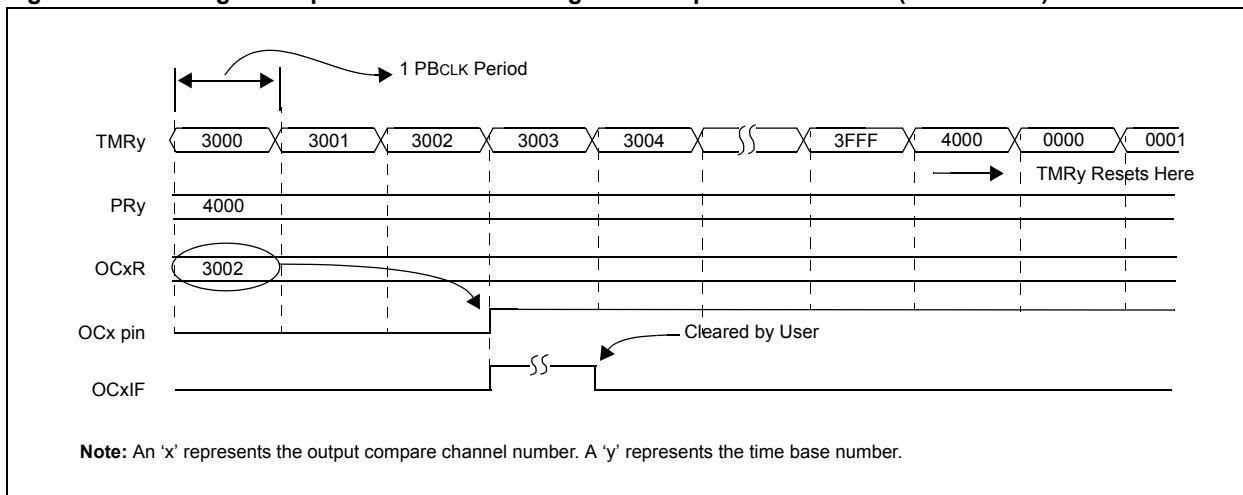
- Compare forces OCx pin high; initial state of pin is low. Interrupt is generated on the single compare match event.
- Compare forces OCx pin low; initial state of pin is high. Interrupt is generated on the single compare match event.
- Compare toggles OCx pin. Toggle event is continuous and an interrupt is generated for each toggle event.

### 16.3.1.1 Compare Mode Output Driven High

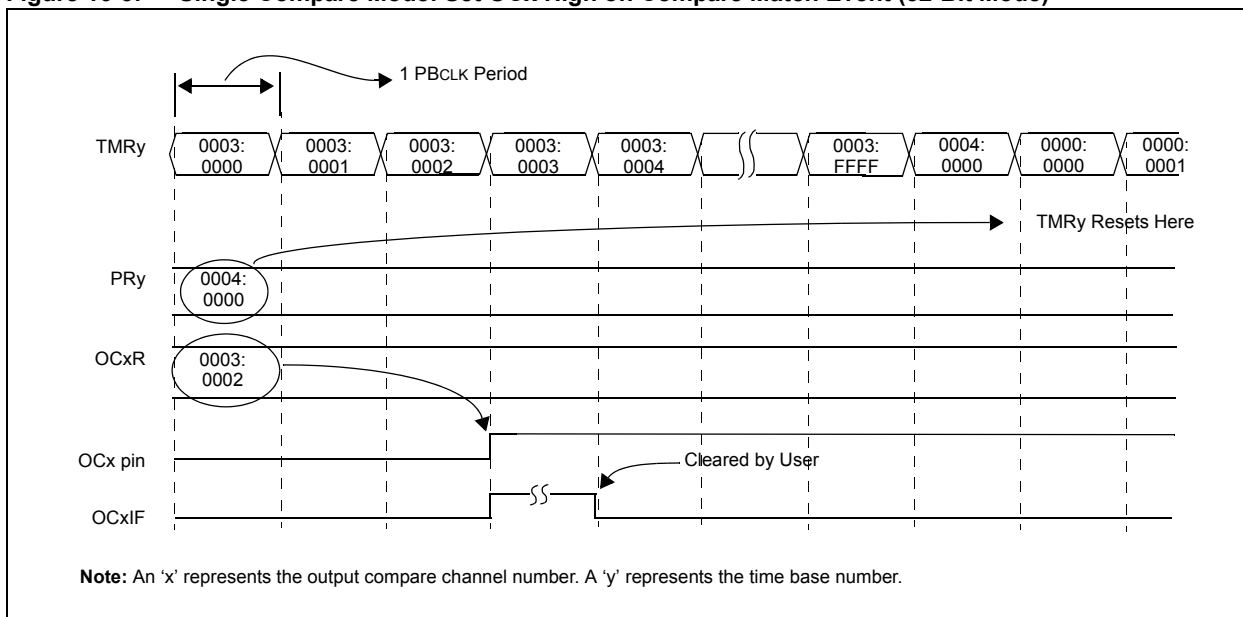
To configure the Output Compare module for this mode, set the OCM<2:0> control bits to '001'. The compare time base must also be enabled. Once this mode has been enabled, the output pin, OCx, will be driven low and remain low until a match occurs between the TMRy and OCxR registers. In Figure 16-2, note the following key timing events:

- The OCx pin is driven high one peripheral clock after the compare match occurs between the compare time base and the OCxR register. The OCx pin will remain high until a mode change has been made or the module is disabled.
- The compare time base will count up to the value contained in the associated period register, and then reset to 0x0000 on the next PBCLK
- The respective channel interrupt flag, OCxIF (see the IFS0 register for the position of the interrupt flag bit for each of the output compare channels), is asserted when the OCx pin is driven high

**Figure 16-2: Single Compare Mode: Set OCx High on Compare Match Event (16-Bit Mode)**



**Figure 16-3: Single Compare Mode: Set OCx High on Compare Match Event (32-Bit Mode)**

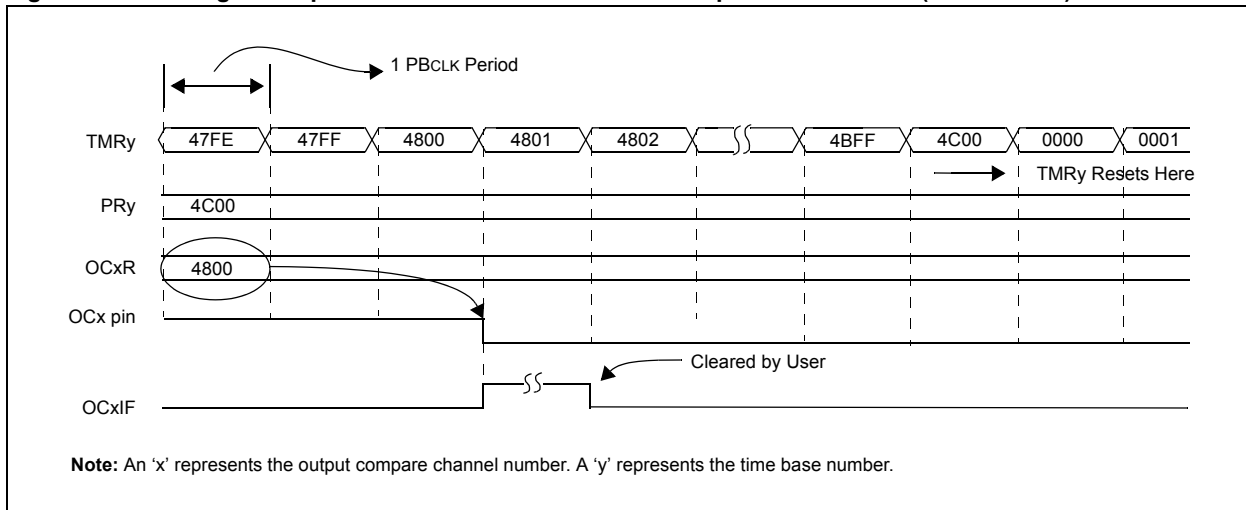


## 16.3.1.2 Compare Mode Output Driven Low

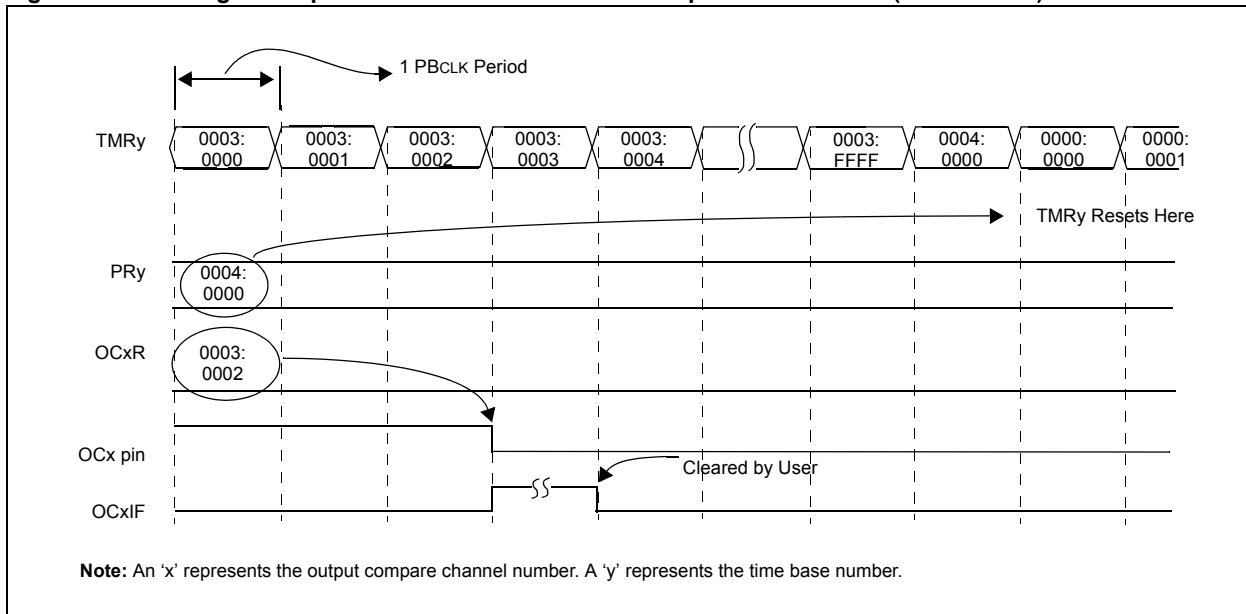
To configure the Output Compare module for this mode, set the OCM<2:0> control bits to '010'. The compare time base must also be enabled. Once this mode has been enabled, the output pin, OCx, will be driven high and remain high until a match occurs between the Timer and OCxR registers. In Figure 16-4, note the following key timing events:

- The OCx pin is driven low by one PBCLK after the compare match occurs between the compare time base and the OCxR register. The OCx pin will remain low until a mode change has been made or the module is disabled.
- The compare time base will count up to the value contained in the associated period register, and then reset to 0x0000 on the next PBCLK
- The respective channel interrupt flag, OCxIF, is asserted when the OCx pin is driven low

**Figure 16-4: Single Compare Mode: Force OCx Low on Compare Match Event (16-Bit Mode)**



**Figure 16-5: Single Compare Mode: Set OCx Low on Compare Match Event (32-Bit Mode)**





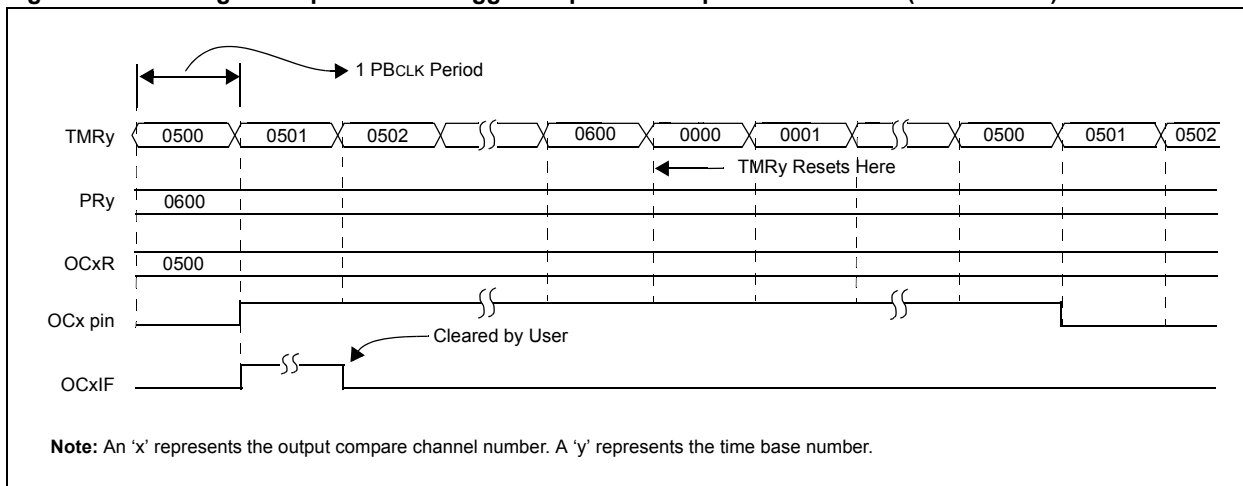
### 16.3.1.3 Single Compare Mode Toggle Output

To configure the Output Compare module for this mode, set the OCM<2:0> control bits to '011'. In addition, Timer2 or Timer3 must be selected and enabled. Once this mode has been enabled, the output pin, OCx, will be initially driven low, and then toggle on each and every subsequent match event between the Timer and OCxR registers. In [Figure 16-6](#) and [Figure 16-8](#), note the following key timing events:

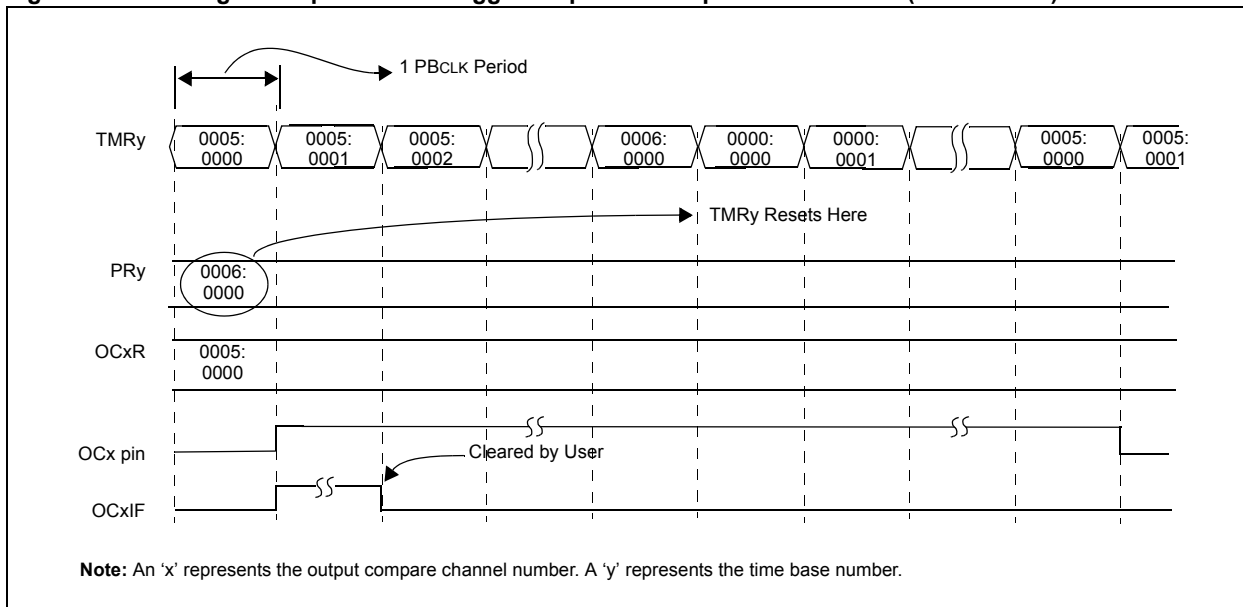
- The OCx pin is toggled one PBCLK after the compare match occurs between the compare time base and the OCxR register. The OCx pin will remain at this new state until the next toggle event, or until a mode change has been made or the module is disabled.
- The compare time base will count up to the contents in the period register, and then reset to 0x0000 on the next PBCLK
- The respective channel interrupt flag, OCxIF, is asserted when the OCx pin is toggled

**Note:** The internal OCx pin output logic is set to a logic '0' on a device Reset. However, the operational OCx pin state for the Toggle mode can be set by the user application. [Example 16-1](#) shows a code example for defining the desired initial OCx pin state in the Toggle mode of operation.

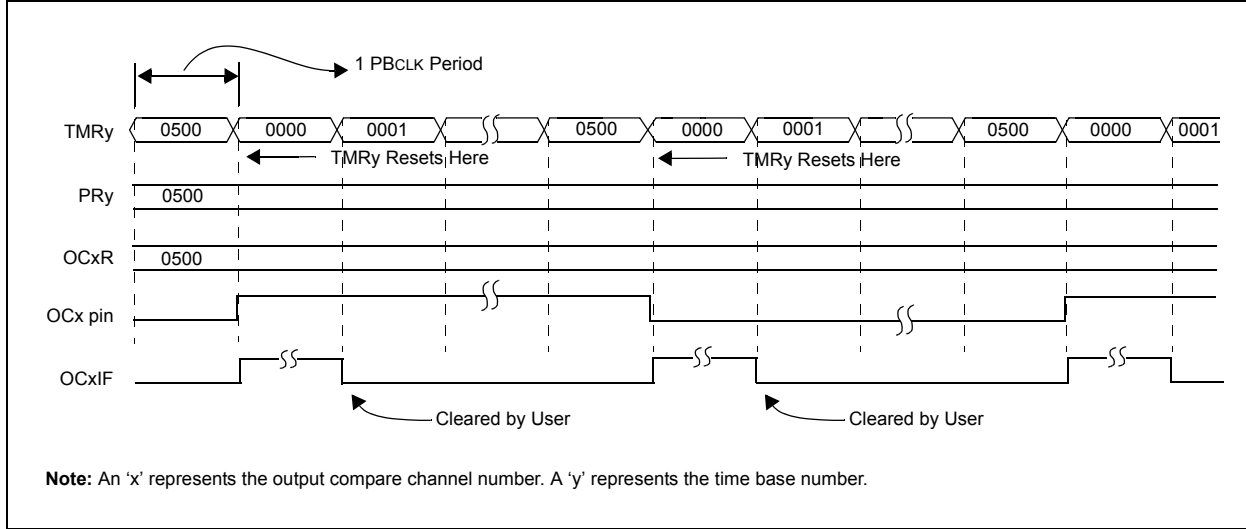
**Figure 16-6: Single Compare Mode: Toggle Output on Compare Match Event (16-Bit Mode)**



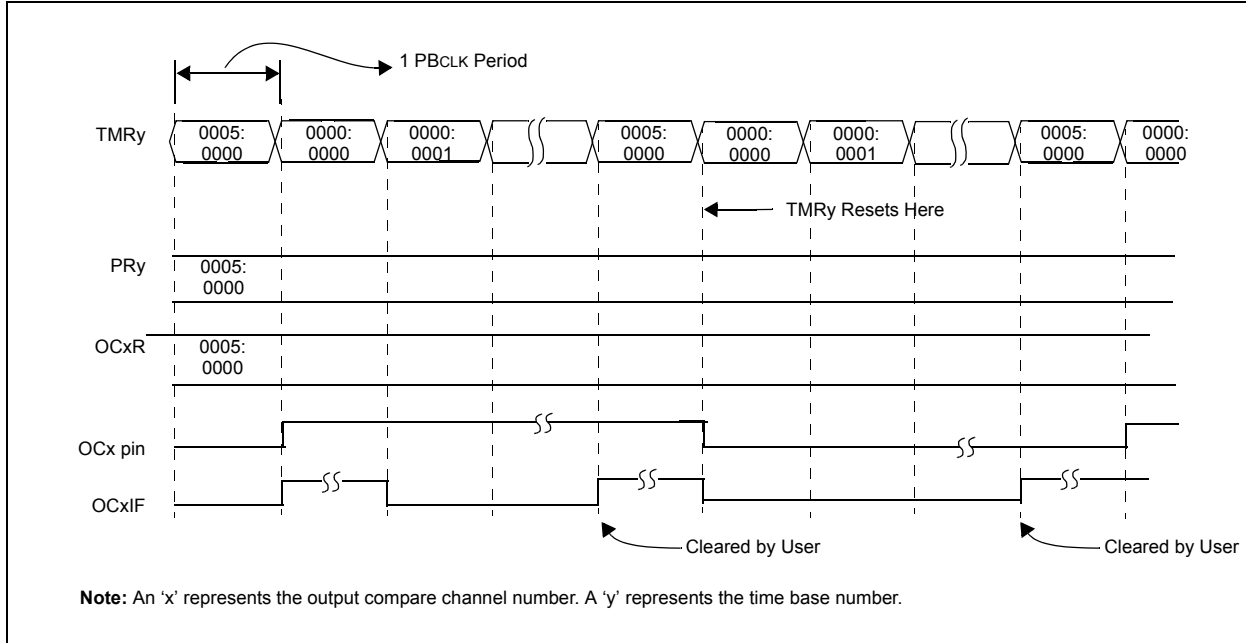
**Figure 16-7: Single Compare Mode: Toggle Output on Compare Match Event (32-Bit Mode)**



**Figure 16-8: Single Compare Mode: Toggle Output on Compare Match Event (PRy = OCxR, 16-Bit Mode)**



**Figure 16-9: Single Compare Mode: Toggle Output on Compare Match Event (PRy = OCxR, 32-Bit Mode)**



**Example 16-1: Compare Mode Toggle Mode Pin State Setup (16-Bit Mode)**

```
// The following code example illustrates how to define the initial
// OC1 pin state for the output compare toggle mode of operation.

// Toggle mode with initial OC1 pin state set low

OC1CON = 0x0001;           // Configure module for OC1 pin low, toggle high
OC1CONSET = 0x8000;       // Enable OC1 module
```

**Example 16-2: Compare Mode Toggle Mode Pin State Setup (32-Bit Mode)**

```
// The following code example illustrates how to define the initial
// OC1 pin state for the output compare toggle mode of operation.

// Toggle mode with initial OC1 pin state set low

OC1CON = 0x0021; // Configure module for OC1 pin low, toggle high,
// 32-bit mode
OC1CONSET = 0x8000; // Enable OC1 module
```

[Example 16-3](#) shows example code for the configuration and interrupt service of the Single Compare mode toggle event.

**Example 16-3: Compare Mode Toggle Setup and Interrupt Servicing (16-Bit Mode)**

```
// The following code example will set the Output Compare 1 module
// for interrupts on the toggle event and select Timer2 as the clock
// source for the compare time base.

T2CON = 0x0010; // Configure Timer2 for a prescaler of 2

OC1CON = 0x0000; // Turn off OC1 while doing setup.
OC1CON = 0x0003; // Configure for compare toggle mode
OC1R = 0x0500; // Initialize Compare Register 1
PR2 = 0x0500; // Set period

// Configure int
IFS0CLR = 0x0040; // Clear the OC1 interrupt flag
IECOSET = 0x040; // Enable OC1 interrupt
IPC1SET = 0x001C0000; // Set OC1 interrupt priority to 7,
// the highest level
IPC1SET = 0x00030000; // Set Subpriority to 3, maximum

T2CONSET = 0x8000; // Enable Timer2
OC1CONSET = 0x8000; // Enable OC1

// Example code for Output Compare 1 ISR:

void __ISR(_OUTPUT_COMPARE_1_VECTOR, IPL7) OC1_IntHandler (void)
{
    // insert user code here
    IFS0CLR = 0x0040; // Clear the OC1 interrupt flag
}
```

# PIC32 Family Reference Manual

---

## Example 16-4: Compare Mode Toggle Setup and Interrupt Servicing (32-Bit Mode)

```
// The following code example will set the Output Compare 1 module
// for interrupts on the toggle event and select the Timer2/Timer3 pair as
// the 32-bit as the clock source for the compare time base.

T2CON = 0x0018;           // Configure Timer2 for 32-bit operation
                          // with a prescaler of 2. The Timer2/Timer3
                          // pair is accessed via registers associated
                          // with the Timer2 register

OC1CON = 0x0000;         // Turn off OC1 while doing setup.
OC1CON = 0x0023;         // Configure for compare toggle mode
OC1R = 0x00500000;       // Initialize Compare Register 1
PR2 = 0x00500000;        // Set period (PR2 is now 32-bits wide)

                          // configure int
IFS0CLR = 0x00000040;    // Clear the OC1 interrupt flag
IFS0SET = 0x00000040;    // Enable OC1 interrupt
IPC1SET = 0x001C0000;    // Set OC1 interrupt priority to 7,
                          // the highest level
IPC1SET = 0x00030000;    // Set Subpriority to 3, maximum

T2CONSET = 0x8000;       // Enable Timer2
OC1CONSET = 0x8000;     // Enable OC1

// Example code for Output Compare 1 ISR:

void __ISR (_OUTPUT_COMPARE_1_VECTOR, ipl7) OC1_Int1Handler (void)
{
    // Insert user code here
    IFS0CLR = 0x0040;     // Clear the OC1 interrupt flag
}

```

### 16.3.2 Dual Compare Match Modes

When the OCM<2:0> control bits are set to '100' or '101', the selected output compare channel is configured for one of two Dual Compare Match modes:

- Single Output Pulse mode
- Continuous Output Pulse mode

In these Dual Compare modes, the module uses both the OCxR and OCxRS registers for the compare match events. The OCxR register is compared against the incrementing timer count, TMRy, and the leading (rising) edge of the pulse is generated at the OCx pin on a compare match event. The OCxRS register is then compared to the same incrementing timer count, TMRy, and the trailing (falling) edge of the pulse is generated at the OCx pin on a compare match event.

#### 16.3.2.1 Dual Compare Mode: Single Output Pulse

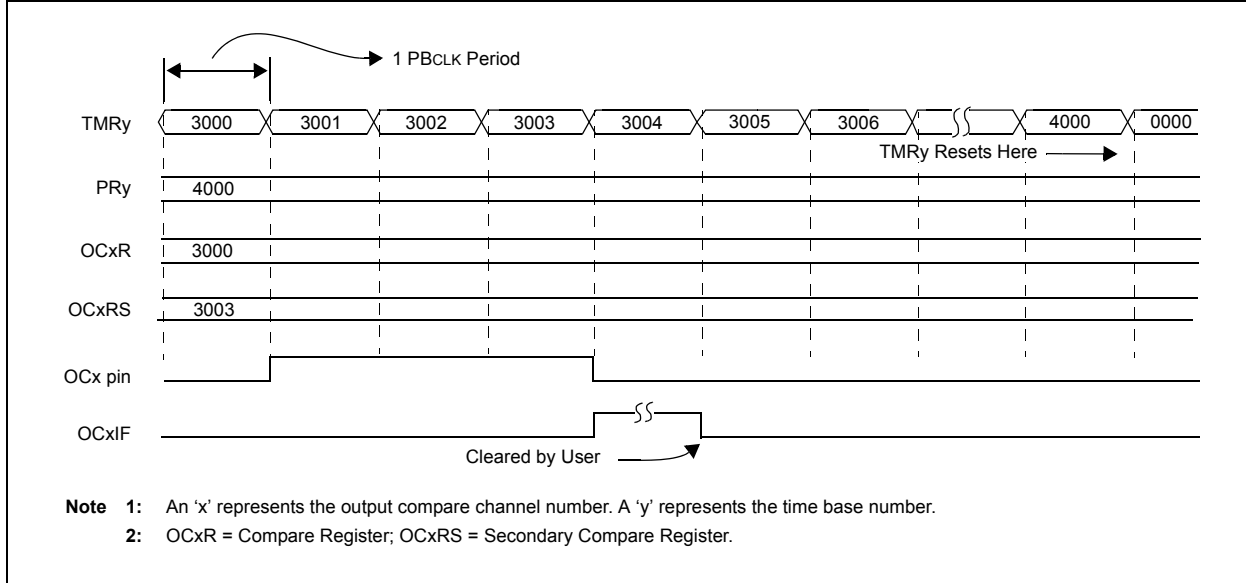
To configure the Output Compare module for the Single Output Pulse mode, set the OCM<2:0> control bits to '100'. In addition, the compare time base must be selected and enabled. Once this mode has been enabled, the output pin, OCx, will be driven low and remain low until a match occurs between the time base and OCxR registers. In [Figure 16-10](#) and [Figure 16-12](#), note the following key timing events:

- The OCx pin is driven high one peripheral clock after the compare match occurs between the compare time base and the OCxR register. The OCx pin will remain high until the next match event occurs between the time base and the OCxRS register. At this time, the pin will be driven low. The OCx pin will remain low until a mode change has been made or the module is disabled.
- The compare time base will count up to the value contained in the associated period register, and then reset to 0x0000 on the next instruction clock
- If the time base period register contents are less than the OCxRS register contents, no falling edge of the pulse is generated. The OCx pin will remain high until  $OCxRS \leq PR2$ , or a mode change or Reset condition has occurred.
- The respective channel interrupt flag, OCxIF, is asserted when the OCx pin is driven low (falling edge of single pulse)

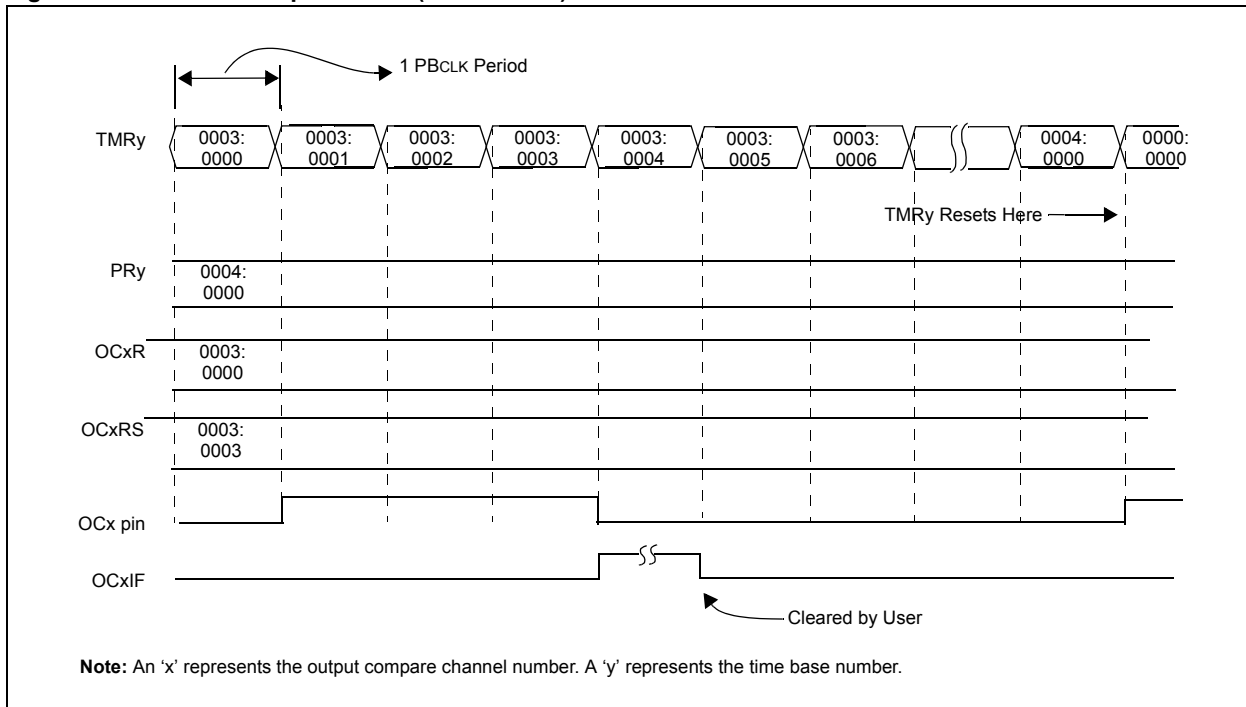
[Figure 16-10](#) depicts the General Dual Compare mode generating a single output pulse. [Figure 16-12](#) depicts another timing example where  $OCxRS > PR2$ . In this example, no falling edge of the pulse is generated because the compare time base resets before counting up to 0x4100.

# PIC32 Family Reference Manual

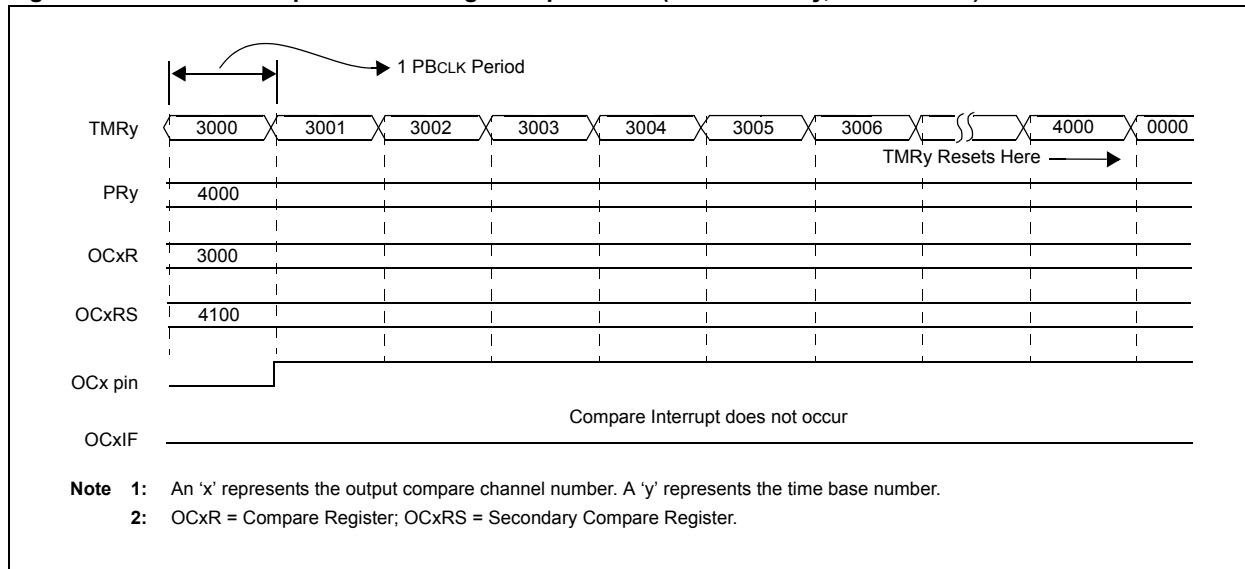
**Figure 16-10: Dual Compare Mode (16-Bit Mode)**



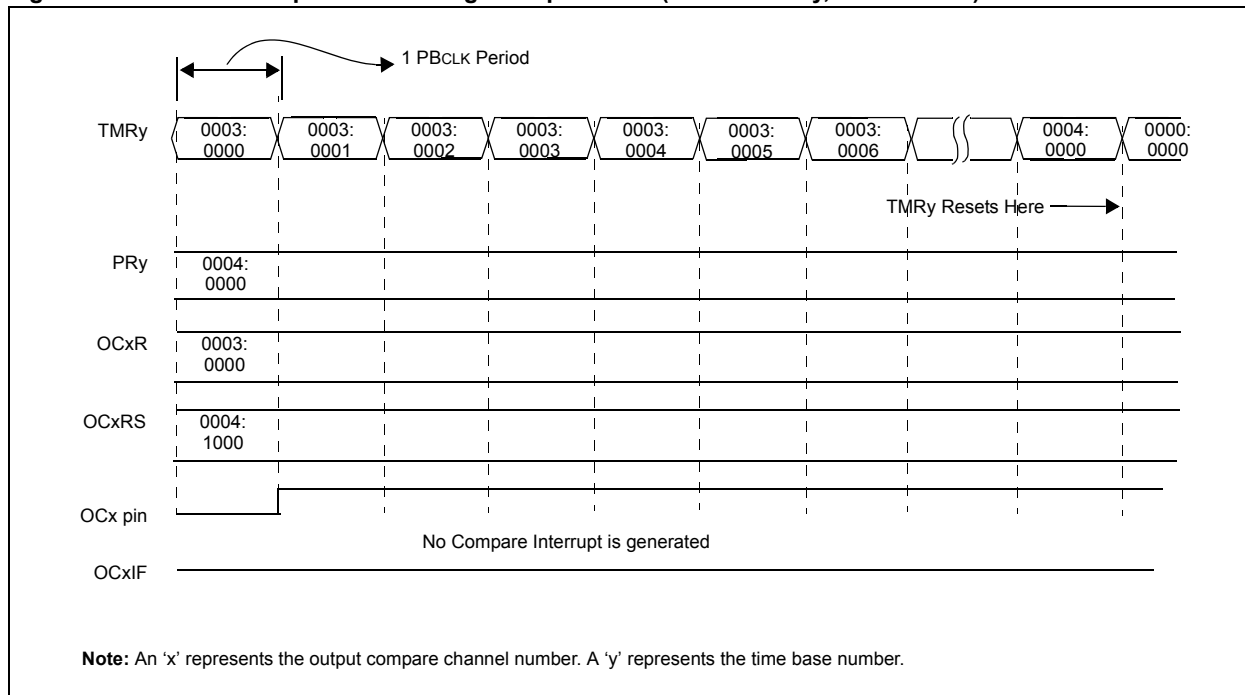
**Figure 16-11: Dual Compare Mode (32-Bit Mode)**



**Figure 16-12: Dual Compare Mode: Single Output Pulse (OCxRS > PRy, 16-Bit Mode)**



**Figure 16-13: Dual Compare Mode: Single Output Pulse (OCxRS > PRy, 32-Bit Mode)**



## 16.3.2.2 Setup for Single Output Pulse Generation

When the OCM<2:0> control bits (OCxCON<2:0>) are set to '100', the selected output compare channel initializes the OCx pin to the low state and generates a single output pulse.

To generate a single output pulse, the following steps are required (these steps assume the timer source is initially turned off, but this is not a requirement for module operation):

1. Determine the peripheral clock cycle time.
2. Calculate the time to the rising edge of the output pulse relative to the TMRy start value (0x0000).
3. Calculate the time to the falling edge of the pulse based on the desired pulse width and the time to the rising edge of the pulse.
4. Write the values computed in steps 2 and 3 above into the compare register, OCxR, and the secondary compare register, OCxRS, respectively.
5. Set the timer period register, PRy, to value equal to or greater than value in OCxRS, the secondary compare register.
6. Set OCM<2:0> = 100 and the OCTSEL bit (OCxCON<3>) to the desired timer source. The OCx pin state will now be driven low.
7. Set the ON bit (TyCON<15>) to '1', to enable the timer.
8. Upon the first match between TMRy and OCxR, the OCx pin will be driven high.
9. When the incrementing timer, TMRy, matches the secondary compare register, OCxRS, the second and trailing edge (high-to-low) of the pulse is driven onto the OCx pin. No additional pulses are driven onto the OCx pin and it remains at low. As a result of the second compare match event, the OCxIF interrupt flag bit is set, which will result in an interrupt (if it is enabled by setting the OCxIE bit). For more information on peripheral interrupts, refer to **Section 8. "Interrupts"** (DS61108).
10. To initiate another single pulse output, change the timer and compare register settings, if needed, and then issue a write to set the OCM<2:0> control bits (OCxCON<2:0>) to '100'. Disabling and re-enabling of the timer and clearing the TMRy register are not required, but may be advantageous for defining a pulse from a known event time boundary.

The Output Compare module does not have to be disabled after the falling edge of the output pulse. Another pulse can be initiated by rewriting the value of the OCxCON register.



Examples 16-5 and 16-6 show example code for configuration of the single output pulse event.

**Example 16-5: Single Output Pulse Setup and Interrupt Servicing (16-Bit Mode)**

```
// The following code example will set the Output Compare 1 module
// for interrupts on the single pulse event and select Timer2
// as the clock source for the compare time base.

T2CON = 0x0010;           // Configure Timer2 for a prescaler of 2

OC1CON = 0x0000;         // Turn off OC1 while doing setup.
OC1CON = 0x0004;         // Configure for single pulse mode
OC1R = 0x3000;           // Initialize primary Compare Register
OC1RS = 0x3003;         // Initialize secondary Compare Register
PR2 = 0x3003;           // Set period (PR2 is now 32-bits wide)

                           // configure int
IFS0CLR = 0x00000040;    // Clear the OC1 interrupt flag
IFS0SET = 0x00000040;    // Enable OC1 interrupt
IPC1SET = 0x001C0000;    // Set OC1 interrupt priority to 7,
                           // the highest level
IPC1SET = 0x00030000;    // Set Subpriority to 3, maximum

T2CONSET = 0x8000;       // Enable Timer2
OC1CONSET = 0x8000;      // Enable OC1

// Example code for Output Compare 1 ISR:

void __ISR(_OUTPUT_COMPARE_1_VECTOR, ipl7) OC1_IntHandler (void)
{
    // Insert user code here
    IFS0CLR = 0x0040;     // Clear the OC1 interrupt flag
}

```

# PIC32 Family Reference Manual

---

## Example 16-6: Single Output Pulse Setup and Interrupt Servicing (32-Bit Mode)

```
// The following code example will set the Output Compare 1 module
// for interrupts on the single pulse event and select Timer2
// as the clock source for the compare time base.

T2CON = 0x0018;           // Configure Timer2 for 32-bit operation
                        // with a prescaler of 2. The Timer2/Timer3
                        // pair is accessed via registers associated
                        // with the Timer2 register

OC1CON = 0x0000;        // Turn off OC1 while doing setup.
OC1CON = 0x0004;        // Configure for single pulse mode
OC1R = 0x00203000;      // Initialize primary Compare Register
OC1RS = 0x00203003;    // Initialize secondary Compare Register
PR2 = 0x00500000;      // Set period (PR2 is now 32-bits wide)

                        // configure int
IFS0CLR = 0x00000040;   // Clear the OC1 interrupt flag
IFS0SET = 0x00000040;   // Enable OC1 interrupt
IPC1SET = 0x001C0000;   // Set OC1 interrupt priority to 7,
                        // the highest level
IPC1SET = 0x00030000;   // Set Subpriority to 3, maximum

T2CONSET = 0x8000;     // Enable Timer2
OC1CONSET = 0x8000;    // Enable OC1

// Example code for Output Compare 1 ISR:

void __ISR(_OUTPUT_COMPARE_1_VECTOR, IPL7) OC1_IntHandler (void)
{
    // insert user code here
    IFS0CLR = 0x0040;   // Clear the OC1 interrupt flag
}

```

## 16.3.2.3 Special Cases for Dual Compare Mode Generating a Single Output Pulse

Depending on the relationship of the OCxR, OCxRS and PRy values, the Output Compare module has a few unique conditions that should be understood. These special conditions are specified in Table 16-2, along with the resulting behavior of the module.

Table 16-2: Special Cases for Dual Compare Mode Generating a Single Output Pulse<sup>(1)</sup>

SFR Logical Relationship	Special Conditions	Operation	Output at OCx
$PRy \geq OCxRS$ and $OCxRS > OCxR$	$OCxR = 0$ Initialize $TMRy = 0$	In the first iteration of the $TMRy$ counting from 0x0000 up to $PRy$ , the OCx pin remains low; no pulse is generated. After the $TMRy$ resets to zero (on period match), the OCx pin goes high due to a match with $OCxR$ . Upon the next $TMRy$ to $OCxRS$ match, the OCx pin goes low and remains there. The OCxIF bit will be set as a result of the second compare. There are two alternative initial conditions to consider: 1. Initialize $TMRy = 0$ and set $OCxR \geq 1$ . 2. Initialize $TMRy = PRy$ ( $PRy > 0$ ) and set $OCxR = 0$ .	Pulse will be delayed by the value in the $PRy$ register, depending on setup
$PRy \geq OCxR$ and $OCxR \geq OCxRS$	$OCxR \geq 1$ and $PRy \geq 1$	$TMRy$ counts up to $OCxR$ and on a compare match event (i.e., $TMRy = OCxR$ ), the OCx pin is driven to a high state. $TMRy$ then continues to count and eventually resets on a period match (i.e., $PRy = TMRy$ ). The timer then restarts from 0x0000 and counts up to $OCxRS$ . On a compare match event (i.e., $TMRy = OCxRS$ ), the OCx pin is driven to a low state. The OCxIF bit will be set as a result of the second compare.	Pulse
$OCxRS > PRy$ and $PRy \geq OCxR$	None	Only the rising edge will be generated at the OCx pin. The OCxIF will not be set.	Rising edge/transition to high
$OCxR > PRy$	None	Unsupported mode; timer resets prior to match condition.	Remains low

**Legend:** OCxR = Compare Register      OCxRS = Secondary Compare Register       $TMRy$  = Timery Count  
PRy = Timery Period Register

**Note 1:** In all of these cases, the  $TMRy$  register is assumed to be initialized to 0x0000.

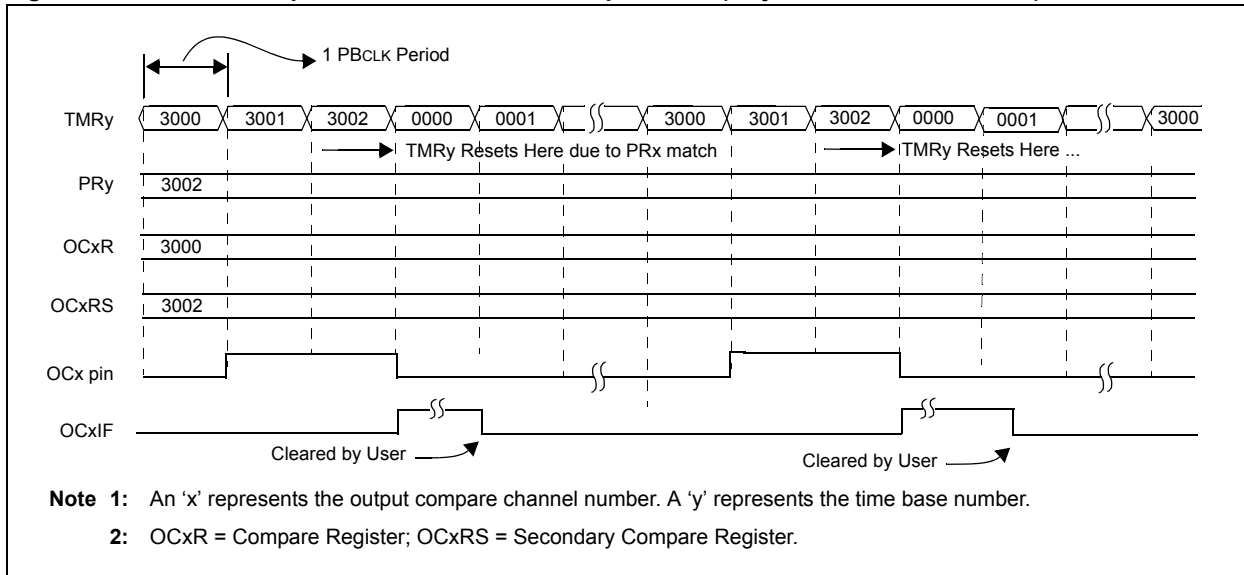
## 16.3.2.4 Dual Compare Mode: Continuous Output Pulses

To configure the Output Compare module for this mode, set the OCM<2:0> control bits to '101'. In addition, the compare time base must be selected and enabled. Once this mode has been enabled, the output pin, OCx, will be driven low and remain low until a match occurs between the compare time base and OCxR register. In [Figure 16-14](#) and [Figure 16-16](#), note the following key timing events:

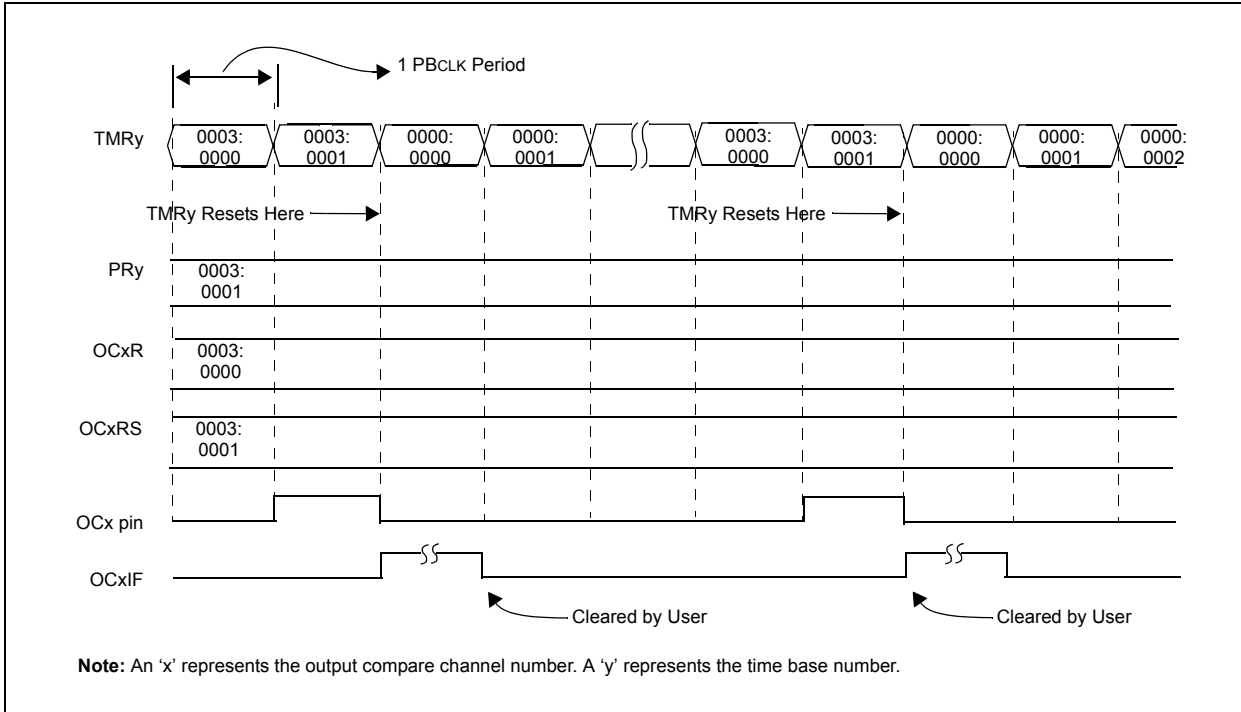
- The OCx pin is driven high one PBCLK after the compare match occurs between the compare time base and OCxR register. The OCx pin will remain high until the next match event occurs between the time base and the OCxRS register, at which time the pin will be driven low. This pulse generation sequence of a low-to-high and high-to-low edge will repeat on the OCx pin without further user intervention.
- Continuous pulses will be generated on the OCx pin until a mode change is made or the module is disabled
- The compare time base will count up to the value contained in the associated period register, and then reset to 0x0000 on the next instruction clock
- If the compare time base period register value is less than the OCxRS register value, no falling edge is generated. The OCx pin will remain high until  $OCxRS \leq PRy$ , a mode change is made, or the device is Reset.
- The respective channel interrupt flag, OCxIF, is asserted when the OCx pin is driven low (falling edge of single pulse)

General Dual Compare mode generating a continuous output pulse is illustrated in [Figure 16-14](#). [Figure 16-16](#) depicts another timing example where  $OCxRS > PRy$ . In this example, no falling edge of the pulse is generated, because the time base will reset before counting up to the contents of OCxRS.

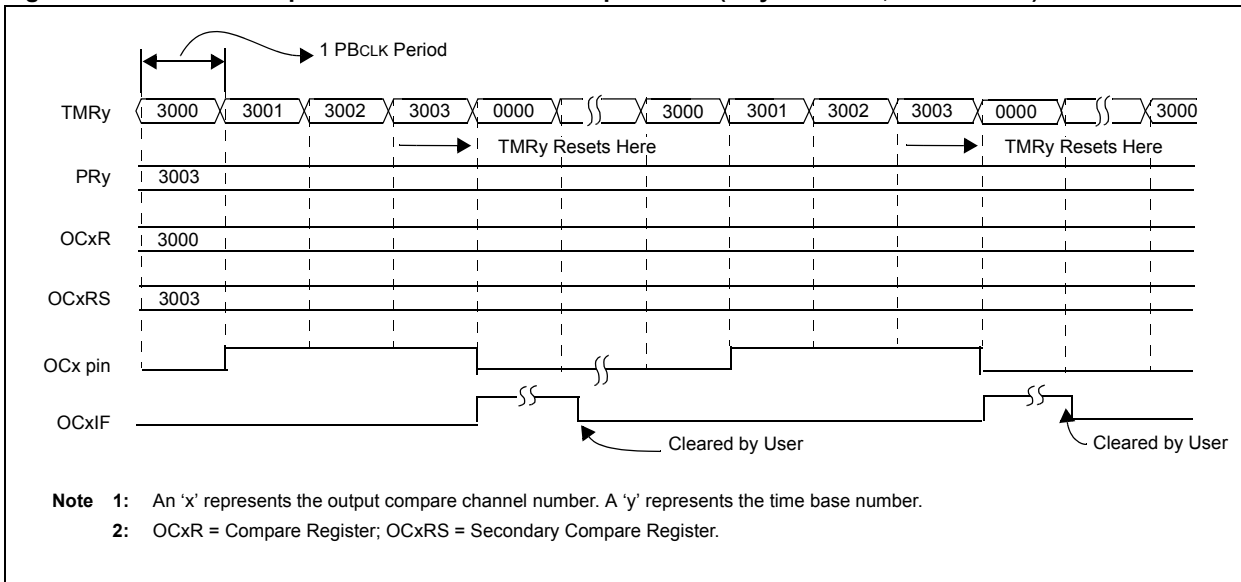
**Figure 16-14: Dual Compare Mode: Continuous Output Pulse ( $PRy = OCxRS$ , 16-Bit Mode)**



**Figure 16-15: Dual Compare Mode: Continuous Output Pulse (PRy = OCxRS, 32-Bit Mode)**



**Figure 16-16: Dual Compare Mode: Continuous Output Pulse (PRy = OCxRS, 16-Bit Mode)**



## 16.3.2.5 Setup for Continuous Output Pulse Generation

When the OCM<2:0> control bits are set to '101', the selected output compare channel initializes the OCx pin to the low state and generates output pulses on each and every compare match event.

For the user to configure the module for the generation of a continuous stream of output pulses, the following steps are required (these steps assume the timer source is initially turned off, but this is not a requirement for the module operation):

1. Determine the peripheral clock cycle time. Take into account the frequency of the external clock to the timer source (if one is used) and the timer prescaler settings.
2. Calculate the time to the rising edge of the output pulse, relative to the TMRy start value (0x0000).
3. Calculate the time to the falling edge of the pulse, based on the desired pulse width and the time to the rising edge of the pulse.
4. Write the values computed in step 2 and 3 above into the compare register, OCxR, and the secondary compare register, OCxRS, respectively.
5. Set the timer period register, PRy, to a value equal to or greater than the value in OCxRS, the secondary compare register.
6. Set OCM<2:0> = 101 and the OCTSEL bit (OCxCON<3>) to the desired timer source (for 16-bit mode only). The OCx pin state will now be driven low.
7. Enable the compare time base by setting the TON bit (TyCON<15>) to '1'.
8. Upon the first match between TMRy and OCxR, the OCx pin will be driven high.
9. When the compare time base, TMRy, matches the secondary compare register, OCxRS, the second and trailing edge (high-to-low) of the pulse is driven onto the OCx pin.
10. As a result of the second compare match event, the OCxIF interrupt flag bit is set.
11. When the compare time base and the value in its respective period register match, the TMRy register resets to 0x0000 and resumes counting.
12. Steps 8 through 11 are repeated, and a continuous stream of pulses is generated, indefinitely. The OCxIF flag (refer to the IFS0 register for the bit position of each channel's interrupt flag) is set on each OCxRS-TMRy compare match event.

Example 16-7 shows example code for configuration of the continuous output pulse event.

**Example 16-7: Continuous Output Pulse Setup and Interrupt Servicing (16-Bit Mode)**

```
// The following code example will set the Output Compare 1 module
// for interrupts on the continuous pulse event and select Timer2
// as the clock source for the compare time-base.

T2CON = 0x0010;           // Configure Timer2 for a prescaler of 2

OC1CON = 0x0000;         // Disable OC1 module
OC1CON = 0x0005;         // Configure OC1 module for Pulse output
OC1R = 0x3000;           // Initialize Compare Register 1
OC1RS = 0x3003;         // Initialize Secondary Compare Register 1
PR2 = 0x5000;           // Set period

                               // configure int
IFS0CLR = 0x00000040;    // Clear the OC1 interrupt flag
IFS0SET = 0x00000040;    // Enable OC1 interrupt
IPC1SET = 0x001C0000;    // Set OC1 interrupt priority to 7,
                               // the highest level
IPC1SET = 0x00030000;    // Set Subpriority to 3, maximum

T2CONSET = 0x8000;       // Enable Timer2
OC1CONSET = 0x8000;     // Enable OC1

// Example code for Output Compare 1 ISR:

void __ISR(_OUTPUT_COMPARE_1_VECTOR, ipl7) OC1_IntHandler (void)
{
    // insert user code here
    IFS0CLR= 0x0040;      // Clear the OC1 interrupt flag
}
```

# PIC32 Family Reference Manual

---

## Example 16-8: Continuous Output Pulse Setup and Interrupt Servicing (32-Bit Mode)

```
// The following code example will set the Output Compare 1 module
// for interrupts on the continuous pulse event and select Timer2
// as the clock source for the compare time-base.

T2CON = 0x0018;           // Configure Timer2 for 32-bit operation
                          // with a prescaler of 2. The Timer2/Timer3
                          // pair is accessed via registers associated
                          // with the Timer2 register

OC1CON = 0x0000;         // disable OC1 module
OC1CON = 0x0005;         // Configure OC1 module for Pulse output
OC1R = 0x3000;           // Initialize Compare Register 1
OC1RS = 0x3003;         // Initialize Secondary Compare Register 1
PR2 = 0x00500000;       // Set period (PR2 is now 32-bits wide)

                          // configure int
IFS0CLR = 0x00000040;    // Clear the OC1 interrupt flag
IFS0SET = 0x00000040;    // Enable OC1 interrupt
IPC1SET = 0x001C0000;    // Set OC1 interrupt priority to 7,
                          // the highest level
IPC1SET = 0x00030000;    // Set Subpriority to 3, maximum

T2CONSET = 0x8000;       // Enable Timer2
OC1CONSET = 0x8000;     // Enable OC1

// Example code for Output Compare 1 ISR:

void __ISR(_OUTPUT_COMPARE_1_VECTOR, IPL7) OC1_IntHandler (void)
{
    // insert user code here
    IFS0CLR = 0x0040;     // Clear the OC1 interrupt flag
}

```



## 16.3.2.6 Special Cases for Dual Compare Mode Generating Continuous Output Pulses

Depending on the relationship of the OCxR, OCxRS and PRy values, the Output Compare module may not provide the expected results. These special cases are specified in Table 16-3, along with the resulting behavior of the module.

**Table 16-3: Special Cases for Dual Compare Mode Generating Continuous Output Pulses<sup>(1)</sup>**

SFR Logical Relationship	Special Conditions	Operation	Output at OCx
PRy ≥ OCxRS and OCxRS > OCxR	OCxR = 0 Initialize TMRy = 0	In the first iteration of the TMRy counting from 0x0000 up to PRy, the OCx pin remains low; no pulse is generated. After the TMRy resets to zero (on period match), the OCx pin goes high. Upon the next TMRy to OCxRS match, the OCx pin goes low. If OCxR = 0 and PRy = OCxRS, the pin will remain low for one clock cycle, then be driven high until the next TMRy to OCxRS match. The OCxIF bit will be set as a result of the second compare. There are two alternative initial conditions to consider: 1. Initialize TMRy = 0 and set OCxR ≥ 1. 2. Initialize TMRy = PRy (PRy > 0) and set OCxR = 0.	Continuous pulses with the first pulse delayed by the value in the PRy register, depending on setup.
PRy ≥ OCxR and OCxR ≥ OCxRS	OCxR ≥ 1 and PRy ≥ 1	TMRy counts up to OCxR and on a compare match event (i.e., TMRy = OCxR), the OCx pin is driven to a high state. TMRy then continues to count and eventually resets on period match (i.e., PRy = TMRy). The timer then restarts from 0x0000 and counts up to OCxRS. On a compare match event (i.e., TMRy = OCxR), the OCx pin is driven to a low state. The OCxIF bit will be set as a result of the second compare.	Continuous pulses
OCxRS > PRy and PRy ≥ OCxR	None	Only one transition will be generated at the OCx pin until the OCxRS register contents have been changed to a value less than or equal to the period register contents (PRy). OCxIF is not set until then.	Rising edge/ transition to high
OCxR > PRy	None	Unsupported mode; Timer resets prior to match condition.	Remains low

**Legend:** OCxR = Compare Register      OCxRS = Secondary Compare Register      TMRy = Timery Count  
PRy = Timery Period Register

**Note 1:** In all of these cases, the TMRy register is assumed to be initialized to 0x0000.

## 16.3.3 Pulse Width Modulation Mode

When the OCM<2:0> control bits are set to '110' or '111', the selected output compare channel is configured for the PWM mode of operation.

The following two PWM modes are available:

- PWM without Fault Protection Input
- PWM with Fault Protection Input

The OCFA or OCFB Fault input pin is utilized for the second PWM mode. In this mode, an asynchronous logic level '0' on the OCFx pin will cause the selected PWM channel to be shut down. See [16.3.3.1 "PWM with Fault Protection Input Pin"](#).

In PWM mode, the OCxR register is a read-only slave duty cycle register and OCxRS is a buffer register that is written by the user to update the PWM duty cycle. On every timer to period register match event (end of PWM period), the duty cycle register, OCxR, is loaded with the contents of OCxRS. The TyIF interrupt flag is asserted at each PWM period boundary.

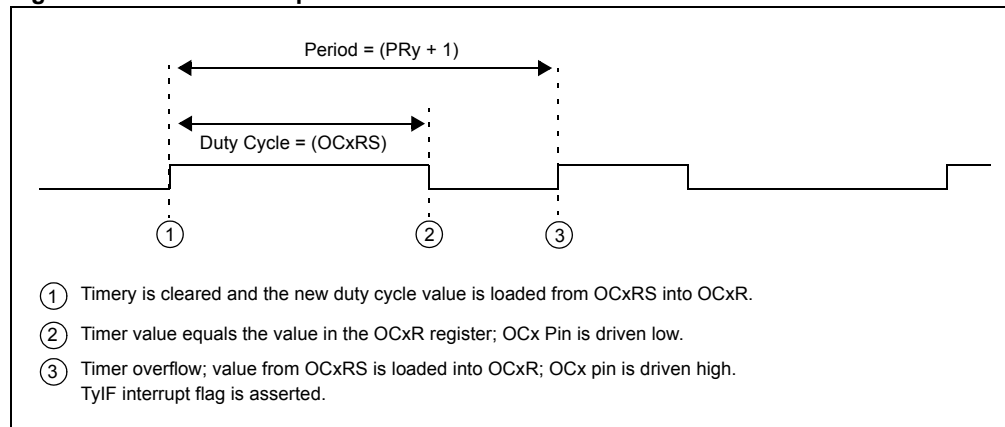
The following steps should be taken when configuring the Output Compare module for PWM operation:

1. Set the PWM period by writing to the selected timer period register (PRy).
2. Set the PWM duty cycle by writing to the OCxRS register.
3. Write the OxCr register with the initial duty cycle.
4. Enable interrupts, if required, for the timer and Output Compare modules. The output compare interrupt is required for PWM Fault pin utilization.
5. Configure the Output Compare module for one of two PWM Operation modes by writing to the Output Compare mode bits, OCM<2:0> (OCxCON<2:0>).
6. Set the TMRy prescale value and enable the time base by setting TON (TxCON<15>) = 1.

**Note:** The OCxR register should be initialized before the Output Compare module is first enabled. The OCxR register becomes a read-only duty cycle register when the module is operated in the PWM modes. The value held in OCxR will become the PWM duty cycle for the first PWM period. The contents of the duty cycle buffer register, OCxRS, will not be transferred into OCxR until a time base period match occurs.

An example PWM output waveform is shown in [Figure 16-17](#).

**Figure 16-17: PWM Output Waveform**



**16.3.3.1 PWM with Fault Protection Input Pin**

When the OCM<2:0> control bits are set to '111', the selected output compare channel is configured for the PWM mode of operation. All functions described in [16.3.3 "Pulse Width Modulation Mode"](#) apply, with the addition of input Fault protection.

Fault protection is provided via the OCFA and OCFB pins. The OCFA pin is associated with the output compare channels 1 through 4, while the OCFB pin is associated with the output compare channel 5.

If a logic '0' is detected on the OCFA/OCFB pin, the selected PWM output pin(s) are placed in the tri-state. The user may elect to provide a pull-down or pull-up resistor on the PWM pin to provide for a desired state if a Fault condition occurs. The shutdown of the PWM output is immediate and is not tied to the device clock source. This state will remain until the following conditions are met:

- The external Fault condition has been removed
- The PWM mode is re-enabled by writing to the appropriate mode bits, OCM<2:0> bits (OCxCON<2:0>)

As a result of the Fault condition, the respective interrupt flag, OCxIF bit, is asserted and an interrupt will be generated, if enabled. Upon detection of the Fault condition, the OCFLT bit (OCxCON<4>) is asserted high (logic '1'). This bit is a read-only bit and will only be cleared once the external Fault condition has been removed and the PWM mode is re-enabled by writing to the appropriate mode bits, OCM<2:0> (OCxCON<2:0>).

**Note:** The external Fault pins, if enabled for use, will continue to control the OCx output pins while the device is in Sleep or Idle mode.

**16.3.3.2 PWM Period**

The PWM period is specified by writing to the Timery Period register, PRy. The PWM period can be calculated using the following formula:

**Equation 16-1: Calculating the PWM Period**

$$PWM\ Period = [(PR + 1) \cdot TPB \cdot (TMR\ Prescale\ Value)]$$

$$PWM\ Frequency = 1/[PWM\ Period]$$

The PWM period must not exceed the width of the Period Register for the selected mode, 16 bits for 16-bit mode or 32 bits for 32-bit mode. If the calculated period is too large, select a larger prescaler to prevent overflow. To maintain maximum PWM resolution, select the smallest prescaler that does not result in an overflow.

**Note:** A PRy value of N will produce a PWM period of N + 1 time base count cycles. For example, a value of 7 written into the PRy register will yield a period consisting of 8 time base cycles.

### 16.3.3.3 PWM Duty Cycle

The PWM duty cycle is specified by writing to the OCxRS register. The OCxRS register can be written to at any time, but the duty cycle value is not latched into OCxR until a match between PRy and TMRy occurs (i.e., the period is complete). This provides a double buffer for the PWM duty cycle and is essential for glitchless PWM operation. In the PWM mode, OCxR is a read-only register.

Some important boundary parameters of the PWM duty cycle include the following:

- If the duty cycle register OCxR is loaded with 0x0000, the OCx pin will remain low (0% duty cycle)
- If OCxR is greater than PRy (timer period register), the pin will remain high (100% duty cycle)
- If OCxR is equal to PRy, the OCx pin will be low for one time base count value and high for all other count values

See [Figure 16-18](#) for PWM mode timing details. [Table 16-4](#) through [Table 16-9](#) show example PWM frequencies and resolutions for a device with the Peripheral Bus operating at a variety of frequencies.

#### Equation 16-2: Calculation for Maximum PWM Resolution

$$\text{Maximum PWM Resolution (bits)} = \frac{\log_{10} \left( \frac{FPB}{F_{PWM} \cdot TMRy \cdot \text{Prescaler bits}} \right)}{\log_{10}(2)}$$

#### Equation 16-3: PWM Period and Resolution Calculation

Desired PWM frequency is 52.08 kHz

FPB = 10 MHz

Timer2 prescale setting: 1:1

$$1/52.08 \text{ kHz} = (PR2 + 1) \cdot TPB \cdot (\text{Timer2 prescale value})$$

$$19.20 \mu\text{s} = (PR2 + 1) \cdot 0.1 \mu\text{s} \cdot (1)$$

$$PR2 = 191$$

Find the maximum resolution of the duty cycle that can be used with a 52.08 kHz PWM frequency and a 10 MHz Peripheral Bus clock rate.

$$1/52.08 \text{ kHz} = 2^{PWM \text{ RESOLUTION}} \cdot 1/10 \text{ MHz} \cdot 1$$

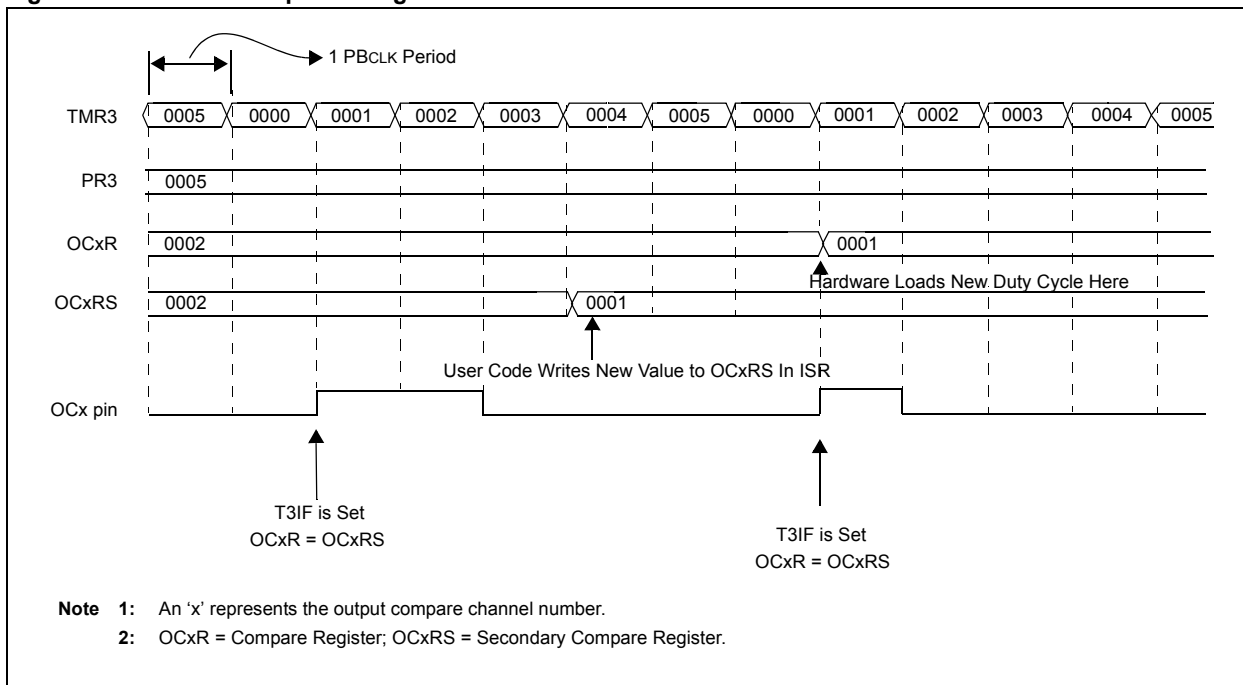
$$19.20 \mu\text{s} = 2^{PWM \text{ RESOLUTION}} \cdot 100 \text{ ns} \cdot 1$$

$$192 = 2^{PWM \text{ RESOLUTION}}$$

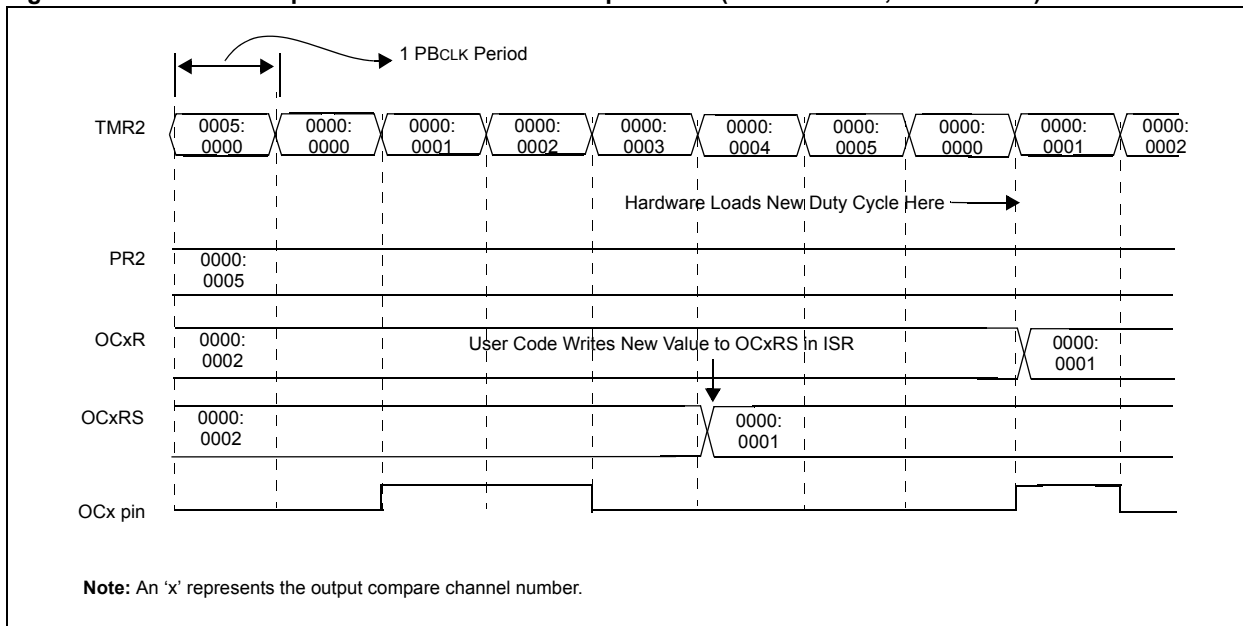
$$\log_{10}(192) = (PWM \text{ Resolution}) \cdot \log_{10}(2)$$

$$PWM \text{ Resolution} = 7.6 \text{ bits}$$

**Figure 16-18: PWM Output Timing**



**Figure 16-19: Dual Compare Mode: Continuous Output Pulse (PR2 = OCxRS, 32-Bit Mode)**



# PIC32 Family Reference Manual

**Table 16-4: Example PWM Frequencies and Resolutions with a 10 MHz (16-Bit Mode) Peripheral Bus Clock**

PWM Frequency	19 Hz	153 Hz	305 Hz	2.44 kHz	9.77 kHz	78.1 kHz	313 kHz
Timer Prescaler Ratio	8	1	1	1	1	1	1
Period Register Value	0xFFFF	0xFFFF	0x7FFF	0x0FFF	0x03FF	0x007F	0x001F
Resolution (bits)	16	16	15	12	10	7	5

**Table 16-5: Example PWM Frequencies and Resolutions with a 30 MHz (16-Bit Mode) Peripheral Bus Clock**

PWM Frequency	58 Hz	458 Hz	916 Hz	7.32 kHz	29.3 kHz	234 kHz	938 kHz
Timer Prescaler Ratio	8	1	1	1	1	1	1
Period Register Value	0xFC8E	0xFFDD	0x7FEE	0x1001	0x03FE	0x007F	0x001E
Resolution (bits)	16	16	15	12	10	7	5

**Table 16-6: Example PWM Frequencies and Resolutions with a 50 MHz (16-Bit Mode) Peripheral Bus Clock**

PWM Frequency	57 Hz	458 Hz	916 Hz	7.32 kHz	29.3 kHz	234 kHz	938 kHz
Timer Prescaler Ratio	64	8	1	1	1	1	1
Period Register Value	0x349C	0x354D	0xD538	0x1AAD	0x06A9	0x00D4	0x0034
Resolution (bits)	13.7	13.7	15.7	12.7	10.7	7.7	5.7

**Table 16-7: Example PWM Frequencies and Resolutions with a 50 MHz (16-Bit Mode) Peripheral Bus Clock**

PWM Frequency	100 Hz	200 Hz	500 Hz	1 kHz	2 kHz	5 kHz	10 kHz
Timer Prescaler Ratio	8	8	8	1	8	1	1
Period Register Value (hex)	0xF423	0x7A11	0x30D3	0xC34F	0x0C34	0x270F	0x1387
Resolution (bits) (decimal)	15.9	14.9	13.6	15.6	11.6	13.3	12.3

**Table 16-8: Example PWM Frequencies and Resolutions with a 50 MHz (16-Bit Mode) Peripheral Bus Clock**

PWM Frequency	100 Hz	200 Hz	500 Hz	1 kHz	2 kHz	5 kHz	10 kHz
Timer Prescaler Ratio	8	4	2	1	1	1	1
Period Register Value (hex)	0xF423	0xF423	0xC34F	0x0C34F	0x61A7	0x270F	0x1387
Resolution (bits) (decimal)	15.9	15.9	15.6	15.6	14.6	13.3	12.3

**Table 16-9: Example PWM Frequencies and Resolutions with a 50 MHz (32-Bit Mode) Peripheral Bus Clock**

PWM Frequency	100 Hz	200 Hz	500 Hz	1 kHz	2 kHz	5 kHz	10 kHz
Timer Prescaler Ratio	1	1	1	1	1	8	1
Period Register Value (hex)	0x0007A11F	0x0003D08F	0x0001869F	0x0000C34F	0x000061A7	0x000004E1	0x00001387
Resolution (bits) (decimal)	18.9	17.9	16.6	15.6	14.6	10.3	12.3

Example 16-9 shows configuration and interrupt service code for the PWM mode of operation.

**Example 16-9: PWM Mode Setup and Interrupt Servicing (16-Bit Mode)**

```
// The following code example will set the Output Compare 1 module
// for PWM mode with Fault pin disabled and for 50% duty cycle.
// Timer2 is selected as the clock for the PWM time base, and Timer2
// interrupts are enabled.

#include <plib.h>

int main(void)
{
    INTEnableSystemMultiVectoredInt();           // Enable system wide interrupt to
                                                    // multivectored mode.

    OC1CON = 0x0000;                             // Turn off the OC1 when performing the setup
    OC1R = 0x0064;                               // Initialize primary Compare register
    OC1RS = 0x0064;                              // Initialize secondary Compare register
    OC1CON = 0x0006;                             // Configure for PWM mode without Fault pin
                                                    // enabled
    PR2 = 0x00C7;                                // Set period

    // Configure Timer2 interrupt. Note that in PWM mode, the
    // corresponding source timer interrupt flag is asserted.
    // OC interrupt is not generated in PWM mode.

    IFS0CLR = 0x00000100;                        // Clear the T2 interrupt flag
    IEC0SET = 0x00000100;                       // Enable T2 interrupt
    IPC2SET = 0x0000001C;                       // Set T2 interrupt priority to 7

    T2CONSET = 0x8000;                          // Enable Timer2
    OC1CONSET = 0x8000;                         // Enable OC1

    while(1);                                    // Never return
}

// Example code for Timer2 ISR

void __ISR(_TIMER_2_VECTOR, ip17) T2_IntHandler (void)
{
    // Insert user code here
    IFS0CLR = 0x0100;                            // Clearing Timer2 interrupt flag
}

```

# PIC32 Family Reference Manual

## Example 16-10: PWM Mode Setup and Interrupt Servicing (32-Bit Mode)

```
// The following code example will set the Output Compare 1 module
// for PWM mode with Fault pin disabled and for 50% duty cycle.
// Timer2 and Timer3 are selected as the clocks for the PWM time base
// in 32-bit mode, and Timer3 interrupts are enabled.

#include <plib.h>

int main(void)
{
    INTEnableSystemMultiVectoredInt();    // Enable system wide interrupt to multivectored mode.

    OC1CON = 0x0000;                       // Turn off the OC1 when performing the setup
    OC1R = 0x00638000;                     // Initialize primary Compare register
    OC1RS = 0x00638000;                   // Initialize secondary Compare register
    OC1CON = 0x0006;                       // Configure for PWM mode without Fault pin enabled
    T2CONSET = 0x0008;                    // Enable 32-bit Timer mode
    PR2 = 0x00C6FFFF;                     // Set period

    // Configure Timer3 interrupt. Note that in PWM mode, the corresponding source timer
    // interrupt flag is asserted. OC interrupt is not generated in PWM mode.

    IFS0CLR = 0x00001000;                 // Clear the T3 interrupt flag
    IEC0SET = 0x00001000;                 // Enable T3 interrupt
    IPC3SET = 0x0000001C;                 // Set T3 interrupt priority to 7

    T2CONSET = 0x8000;                     // Enable Timer2
    OC1CONSET = 0x8020;                   // Enable OC1 in 32-bit mode.

    while(1);                             // Never return
}

// Example code for Timer3 ISR:

void __ISR(_TIMER_3_VECTOR, IPL7) T3_IntHandler (void)
{
    // Insert user code here
    IFS0CLR = 0x1000;                     // Clearing Timer3 interrupt flag
}
```



## 16.4 INTERRUPTS

Each of the available output compare channels has a dedicated interrupt bit, OCxIF, and a corresponding interrupt enable/mask bit, OCxIE. These bits are used to determine the source of an interrupt and to enable or disable an individual interrupt source. The priority level of each of the channels can also be set independently of the other channels.

OCxIF is set when an output compare channel detects a predefined match condition that is defined as an event generating an interrupt. The OCxIF bit will then be set without regard to the state of the corresponding OCxIE bit. The OCxIF bit can be polled by software if desired.

The OCxIE bit is used to define the behavior of the Vector Interrupt Controller (VIC) when a corresponding OCxIF is set. When the OCxIE bit is clear, the VIC module does not generate a CPU interrupt for the event. If the OCxIE bit is set, the VIC module will generate an interrupt to the CPU when the corresponding OCxIF bit is set (subject to the priority and subpriority as outlined below).

It is the responsibility of the routine that services a particular interrupt to clear the appropriate interrupt flag bit before the service routine is complete.

The priority of each output compare channel can be set independently via the OCxIP<2:0> bits. This priority defines the priority group that the interrupt source will be assigned to. The priority groups range from a value of 7, the highest priority, to a value of 0, which does not generate an interrupt. An interrupt being serviced will be preempted by an interrupt in a higher priority group.

The subpriority bits allow setting the priority of an interrupt source within a priority group. The values of the subpriority, OCxIS<1:0>, range from 3, the highest priority, to 0, the lowest priority. An interrupt with the same priority group but having a higher subpriority value will preempt a lower subpriority interrupt that is in progress.

The priority group and subpriority bits allow more than one interrupt source to share the same priority and subpriority. If simultaneous interrupts occur in this configuration, the natural order of the interrupt sources within a priority/subpriority group pair determines the interrupt generated. The natural priority is based on the vector numbers of the interrupt sources. The lower the vector number, the higher the natural priority of the interrupt. any interrupts that were overridden by natural order will then generate their respective interrupts (based on priority, subpriority, and natural order) after the interrupt flag for the current interrupt is cleared.

After an enabled interrupt is generated, the CPU will jump to the vector assigned to that interrupt. The vector number for the interrupt is the same as the natural order number. The CPU will then begin executing code at the vector address. The user's code at this vector address should perform any operations required (such as reloading the duty cycle and clearing the interrupt flag), and then exit. For the vector address table details and for more information on interrupts, refer to **Section 8. "Interrupts"** (DS61108).

## 16.5 I/O PIN CONTROL

When the Output Compare module is enabled, it controls the I/O pin direction. The Output Compare module returns the I/O pin control back to the appropriate pin LAT and TRIS control bits when it is disabled.

When the PWM with Fault Protection Input mode is enabled, the OCFx Fault pin must be configured for an input by setting the respective TRIS SFR bit. The OCFx Fault input pin is not automatically configured as an input when the PWM fault mode is selected.

**Table 16-10: Pins Associated with Output Compare Modules 1-5**

Pin Name	Module Control	Pin Type	Buffer Type	Description
OC1	ON	O	—	Output Compare/PWM Channel 1
OC2	ON	O	—	Output Compare/PWM Channel 2
OC3	ON	O	—	Output Compare/PWM Channel 3
OC4	ON	O	—	Output Compare/PWM Channel 4
OC5	ON	O	—	Output Compare/PWM Channel 5
OCFA	ON	I	ST	PWM Fault Protection A Input (for Channels 1-4)
OCFB	ON	I	ST	PWM Fault Protection B Input (for Channel 5)

**Legend:** ST = Schmitt Trigger input with CMOS levels      I = Input      O = Output

## 16.6 OPERATION IN POWER-SAVING AND DEBUG MODES

### 16.6.1 Output Compare Operation in Sleep Mode

When the device enters Sleep mode, the system clock is disabled. During Sleep, the Output Compare module drives the pin to the same active state as driven prior to entering Sleep. The module will then halt at this state.

For example, if the pin was high and the CPU entered the Sleep state, the pin will stay high. Likewise, if the pin was low and the CPU entered the Sleep state, the pin will stay low. In both cases, when the device wakes up, the Output Compare module will resume operation.

When the module is operating in PWM Fault mode, the asynchronous portions of the Fault circuit remain active. If a Fault is detected, the compare output enable signal is deasserted and the OCFLT bit (OCxCON<4>) is set. If the corresponding interrupt is enabled, an interrupt is generated and the device wakes up from Sleep.

### 16.6.2 Output Compare Operation in Idle Mode

When the device enters Idle mode, the system clock sources remain functional and the CPU stops executing code. The SIDL bit (OCxCON<13>) selects if the Output Compare module will stop operation when the device enters Idle mode or whether the module will continue normal operation in Idle mode.

- If SIDL = 1, the module will discontinue operation in Idle mode. The module will perform the same procedures when stopped in Idle mode as it does for Sleep mode.
- If SIDL = 0, the module will continue operation in Idle mode only if the selected time base is set to operate in Idle mode. The output compare channel(s) will operate during Idle mode if the SIDL bit is a logic '0'. Furthermore, the time base must be enabled with the respective SIDL bit set to a logic '0'.

**Note:** The external Fault pins, if enabled for use, will continue to control the associated OCx output pins while the device is in Sleep or Idle mode.

- When the module is operating in PWM Fault mode, the asynchronous portions of the Fault circuit remain active. If a Fault is detected, the compare output enable signal is deasserted and the OCFLT bit (OCxCON<4>) is set. If the corresponding interrupt is enabled, an interrupt is generated and the device wakes up from Idle.

### 16.6.3 Output Compare Operation in Debug Mode

When the module is operating in PWM Fault mode, the asynchronous portions of the Fault circuit remain active. If a Fault is detected, the compare output enable signal is deasserted and the OCFLT bit (OCxCON<4>) is set. If the corresponding interrupt is enabled, an interrupt will be generated.

## 16.7 EFFECTS OF VARIOUS RESETS

### 16.7.1 MCLR Reset

Following a MCLR event, the OCxCON, OCxR, and OCxRS registers for each Output Compare module are reset to a value of 0x00000000.

### 16.7.2 Power-on Reset

Following a Power-on (POR) event, the OCxCON, OCxR, and OCxRS registers for each Output Compare module are reset to a value of 0x00000000.

### 16.7.3 Watchdog Timer Reset

The status of the Output Compare control registers after a Watchdog Timer (WDT) event depends on the operational mode of the CPU prior to the WDT event.

If the device is *not* in Sleep, a WDT event will force the OCxCON, OCxR, and OCxRS registers to a Reset value of 0x00000000. If the device is in Sleep when a WDT event occurs, the contents of the OCxCON, OCxR and OCxRS register values are not affected.

## 16.8 OUTPUT COMPARE APPLICATION

This section provides an example application using the PWM mode of the Output Compare module to control the speed of a DC motor. The speed of the motor is controlled by changing the PWM duty cycle.

The circuit consists of the following:

- A PIC32 family device to generate the PWM
- A TC4431 or equivalent MOSFET driver to drive the MOSFET
- A MOSFET to drive the motor
- A pull-up resistor is used to pull the input of the MOSFET driver high when the PIC32 family is in Reset. This prevents unwanted motor operation during start-up.
- A DC motor

### Example 16-11: PWM Mode Example Application (16-Bit Mode)

```
// The following code example will set the Output Compare 1 module for PWM mode without Fault
// pin disabled and for 50% duty cycle. Timer2 is selected as the clock for the PWM time base
// and Timer2 interrupts are enabled. This example ramps the PWM duty cycle from min to max,
// and then from max to min and repeats. The rate at which the PWM duty cycle is changed can be
// adjusted by the rate at which the Timer2 overflows. The PWM period can be changed by writing
// a different value to the PR2 register. If the PR2 value is adjusted, the maximum PWM value
// will also have to be adjusted so that it is not greater than the PR2 value.

unsigned int Pwm; // Variable to store calculated PWM value
unsigned char Mode = 0; // Variable to determine ramp up or ramp down

OC1CON = 0x0000; // Turn off the OC1 when performing the setup
OC1R = 0x0064; // Initialize primary Compare register
OC1RS = 0x0064; // Initialize secondary Compare register
OC1CON = 0x0006; // Configure for PWM mode without Fault pin enabled
PR2 = 0x00C7; // Set period

IFS0CLR = 0x00000100; // Clear the T2 interrupt flag
IEC0SET = 0x00000100; // Enable T2 interrupt
IPC2SET = 0x0000001C; // Set T2 interrupt priority to 7

T2CONSET = 0x8000; // Enable Timer2
OC1CONSET = 0x8000; // Enable OC1

// Example code for Timer2 ISR:

void __ISR(_TIMER_2_VECTOR, ip17) T2_IntHandler (void)
{
    if ( Mode )
    {
        if ( Pwm < 0xFFFF ) // Ramp up mode
        {
            Pwm ++; // If the duty cycle is not at max, increase
            OC1RS = Pwm; // Write new duty cycle
        }
        else
        {
            Mode = 0; // PWM is at max, change mode to ramp down
        }
    } // End of ramp up
    else
    {
        if ( !Pwm ) // Ramp Down mode
        {
            Pwm --; // If the duty cycle is not at min, increase
            OC1RS = Pwm; // Write new duty cycle
        }
        else
        {
            Mode = 1; // PWM is at min, change mode to ramp up
        }
    } // End of ramp down

    IFS0CLR = 0x0100; // Insert user code here
    // Clearing Timer2 interrupt flag
}
}
```



## 16.9 DESIGN TIPS

**Question 1:** *The Output Compare pin stops functioning even when the SIDL bit is not set. Why?*

**Answer:** This is most likely to occur when the SIDL bit (TxCON<13>) of the associated timer source is set. Therefore, it is the timer that actually goes into Idle mode when the PWRSAV instruction is executed.

**Question 2:** *Can I use the Output Compare modules with the selected time base configured for 32-bit mode?*

**Answer:** Yes. The timer can be used in 32-bit mode as a time base for the Output Compare modules by setting the T32 bit (TxCON<3>). For proper operation, the Output Compare module must be configured for 32-bit Compare mode by setting the OC32 bit (OCxCON<5>) for all Output Compare modules using the 32-bit timer as a time base.

16.10 RELATED APPLICATION NOTES

This section lists application notes that are related to this section of the manual. These application notes may not be written specifically for the PIC32 device family, but the concepts are pertinent and could be used with modification and possible limitations. The current application notes related to the Output Compare module are:

Title	Application Note #
No related application notes at this time.	N/A

**Note:** Please visit the Microchip web site ([www.microchip.com](http://www.microchip.com)) for additional application notes and code examples for the PIC32 family of devices.

## 16.11 REVISION HISTORY

### Revision A (October 2007)

This is the initial released version of this document.

### Revision B (October 2007)

Updated document to remove Confidential status.

### Revision C (April 2008)

Revised status to Preliminary; Revised U-0 to r-x.

### Revision D (June 2008)

Revised Registers 16-1, 16-20, 16-32; Revised Examples 16-3, 16-4, 16-5, 16-6, 16-7, 16-8, 16-9, 16-10, 16-11; Added TMR1 and TMR2 to Summary Table; Revised Section 16.3, Notes; Change Reserved bits from "Maintain as" to "Write"; Added Note to ON bit (0CxCON, T2CON, T3CON Registers).

### Revision E (April 2011)

This revision includes the following updates:

- Changed the document running header from PIC32MX Family Reference Manual to PIC32 Family Reference Manual
- Removed the Preliminary status from the footer
- Removed all references to the FRZ bit throughout the document
- Updated the format of all registers (see [Register 16-1](#) through [Register 16-3](#))
- Changed all occurrences of r-x to U-0 in the register tables
- Removed the corresponding Clear, Set and Invert registers of the SFRs
- Changed the title of [Equation 16-3](#) from PWM Period and Duty Cycle Calculation to PWM Period and Resolution Calculation
- Updated the code in [Example 16-9](#), [Example 16-10](#) and [Example 16-11](#)
- Minor changes to the text and formatting have been incorporated throughout the document



---

**Note the following details of the code protection feature on Microchip devices:**

- Microchip products meet the specification contained in their particular Microchip Data Sheet.
- Microchip believes that its family of products is one of the most secure families of its kind on the market today, when used in the intended manner and under normal conditions.
- There are dishonest and possibly illegal methods used to breach the code protection feature. All of these methods, to our knowledge, require using the Microchip products in a manner outside the operating specifications contained in Microchip's Data Sheets. Most likely, the person doing so is engaged in theft of intellectual property.
- Microchip is willing to work with the customer who is concerned about the integrity of their code.
- Neither Microchip nor any other semiconductor manufacturer can guarantee the security of their code. Code protection does not mean that we are guaranteeing the product as “unbreakable.”

Code protection is constantly evolving. We at Microchip are committed to continuously improving the code protection features of our products. Attempts to break Microchip's code protection feature may be a violation of the Digital Millennium Copyright Act. If such acts allow unauthorized access to your software or other copyrighted work, you may have a right to sue for relief under that Act.

---

Information contained in this publication regarding device applications and the like is provided only for your convenience and may be superseded by updates. It is your responsibility to ensure that your application meets with your specifications. MICROCHIP MAKES NO REPRESENTATIONS OR WARRANTIES OF ANY KIND WHETHER EXPRESS OR IMPLIED, WRITTEN OR ORAL, STATUTORY OR OTHERWISE, RELATED TO THE INFORMATION, INCLUDING BUT NOT LIMITED TO ITS CONDITION, QUALITY, PERFORMANCE, MERCHANTABILITY OR FITNESS FOR PURPOSE. Microchip disclaims all liability arising from this information and its use. Use of Microchip devices in life support and/or safety applications is entirely at the buyer's risk, and the buyer agrees to defend, indemnify and hold harmless Microchip from any and all damages, claims, suits, or expenses resulting from such use. No licenses are conveyed, implicitly or otherwise, under any Microchip intellectual property rights.

**Trademarks**

The Microchip name and logo, the Microchip logo, dsPIC, KEELOQ, KEELOQ logo, MPLAB, PIC, PICmicro, PICSTART, PIC<sup>32</sup> logo, rPIC and UNI/O are registered trademarks of Microchip Technology Incorporated in the U.S.A. and other countries.

FilterLab, Hampshire, HI-TECH C, Linear Active Thermistor, MXDEV, MXLAB, SEEVAL and The Embedded Control Solutions Company are registered trademarks of Microchip Technology Incorporated in the U.S.A.

Analog-for-the-Digital Age, Application Maestro, CodeGuard, dsPICDEM, dsPICDEM.net, dsPICworks, dsSPEAK, ECAN, ECONOMONITOR, FanSense, HI-TIDE, In-Circuit Serial Programming, ICSP, Mindi, MiWi, MPASM, MPLAB Certified logo, MPLIB, MPLINK, mTouch, Omniscent Code Generation, PICC, PICC-18, PICDEM, PICDEM.net, PICkit, PICTail, REAL ICE, rLAB, Select Mode, Total Endurance, TSHARC, UniWinDriver, WiperLock and ZENA are trademarks of Microchip Technology Incorporated in the U.S.A. and other countries.

SQTP is a service mark of Microchip Technology Incorporated in the U.S.A.

All other trademarks mentioned herein are property of their respective companies.

© 2011, Microchip Technology Incorporated, Printed in the U.S.A., All Rights Reserved.

 Printed on recycled paper.

ISBN: 978-1-61341-098-1

*Microchip received ISO/TS-16949:2002 certification for its worldwide headquarters, design and wafer fabrication facilities in Chandler and Tempe, Arizona; Gresham, Oregon and design centers in California and India. The Company's quality system processes and procedures are for its PIC<sup>®</sup> MCUs and dsPIC<sup>®</sup> DSCs, KEELOQ<sup>®</sup> code hopping devices, Serial EEPROMs, microperipherals, nonvolatile memory and analog products. In addition, Microchip's quality system for the design and manufacture of development systems is ISO 9001:2000 certified.*

**QUALITY MANAGEMENT SYSTEM  
CERTIFIED BY DNV  
== ISO/TS 16949:2002 ==**



# MICROCHIP

## Worldwide Sales and Service

### AMERICAS

**Corporate Office**  
2355 West Chandler Blvd.  
Chandler, AZ 85224-6199  
Tel: 480-792-7200  
Fax: 480-792-7277  
Technical Support:  
<http://www.microchip.com/support>

Web Address:  
[www.microchip.com](http://www.microchip.com)

**Atlanta**  
Duluth, GA  
Tel: 678-957-9614  
Fax: 678-957-1455

**Boston**  
Westborough, MA  
Tel: 774-760-0087  
Fax: 774-760-0088

**Chicago**  
Itasca, IL  
Tel: 630-285-0071  
Fax: 630-285-0075

**Cleveland**  
Independence, OH  
Tel: 216-447-0464  
Fax: 216-447-0643

**Dallas**  
Addison, TX  
Tel: 972-818-7423  
Fax: 972-818-2924

**Detroit**  
Farmington Hills, MI  
Tel: 248-538-2250  
Fax: 248-538-2260

**Indianapolis**  
Noblesville, IN  
Tel: 317-773-8323  
Fax: 317-773-5453

**Los Angeles**  
Mission Viejo, CA  
Tel: 949-462-9523  
Fax: 949-462-9608

**Santa Clara**  
Santa Clara, CA  
Tel: 408-961-6444  
Fax: 408-961-6445

**Toronto**  
Mississauga, Ontario,  
Canada  
Tel: 905-673-0699  
Fax: 905-673-6509

### ASIA/PACIFIC

**Asia Pacific Office**  
Suites 3707-14, 37th Floor  
Tower 6, The Gateway  
Harbour City, Kowloon  
Hong Kong  
Tel: 852-2401-1200  
Fax: 852-2401-3431

**Australia - Sydney**  
Tel: 61-2-9868-6733  
Fax: 61-2-9868-6755

**China - Beijing**  
Tel: 86-10-8528-2100  
Fax: 86-10-8528-2104

**China - Chengdu**  
Tel: 86-28-8665-5511  
Fax: 86-28-8665-7889

**China - Chongqing**  
Tel: 86-23-8980-9588  
Fax: 86-23-8980-9500

**China - Hong Kong SAR**  
Tel: 852-2401-1200  
Fax: 852-2401-3431

**China - Nanjing**  
Tel: 86-25-8473-2460  
Fax: 86-25-8473-2470

**China - Qingdao**  
Tel: 86-532-8502-7355  
Fax: 86-532-8502-7205

**China - Shanghai**  
Tel: 86-21-5407-5533  
Fax: 86-21-5407-5066

**China - Shenyang**  
Tel: 86-24-2334-2829  
Fax: 86-24-2334-2393

**China - Shenzhen**  
Tel: 86-755-8203-2660  
Fax: 86-755-8203-1760

**China - Wuhan**  
Tel: 86-27-5980-5300  
Fax: 86-27-5980-5118

**China - Xian**  
Tel: 86-29-8833-7252  
Fax: 86-29-8833-7256

**China - Xiamen**  
Tel: 86-592-2388138  
Fax: 86-592-2388130

**China - Zhuhai**  
Tel: 86-756-3210040  
Fax: 86-756-3210049

### ASIA/PACIFIC

**India - Bangalore**  
Tel: 91-80-3090-4444  
Fax: 91-80-3090-4123

**India - New Delhi**  
Tel: 91-11-4160-8631  
Fax: 91-11-4160-8632

**India - Pune**  
Tel: 91-20-2566-1512  
Fax: 91-20-2566-1513

**Japan - Yokohama**  
Tel: 81-45-471- 6166  
Fax: 81-45-471-6122

**Korea - Daegu**  
Tel: 82-53-744-4301  
Fax: 82-53-744-4302

**Korea - Seoul**  
Tel: 82-2-554-7200  
Fax: 82-2-558-5932 or  
82-2-558-5934

**Malaysia - Kuala Lumpur**  
Tel: 60-3-6201-9857  
Fax: 60-3-6201-9859

**Malaysia - Penang**  
Tel: 60-4-227-8870  
Fax: 60-4-227-4068

**Philippines - Manila**  
Tel: 63-2-634-9065  
Fax: 63-2-634-9069

**Singapore**  
Tel: 65-6334-8870  
Fax: 65-6334-8850

**Taiwan - Hsin Chu**  
Tel: 886-3-6578-300  
Fax: 886-3-6578-370

**Taiwan - Kaohsiung**  
Tel: 886-7-213-7830  
Fax: 886-7-330-9305

**Taiwan - Taipei**  
Tel: 886-2-2500-6610  
Fax: 886-2-2508-0102

**Thailand - Bangkok**  
Tel: 66-2-694-1351  
Fax: 66-2-694-1350

### EUROPE

**Austria - Wels**  
Tel: 43-7242-2244-39  
Fax: 43-7242-2244-393

**Denmark - Copenhagen**  
Tel: 45-4450-2828  
Fax: 45-4485-2829

**France - Paris**  
Tel: 33-1-69-53-63-20  
Fax: 33-1-69-30-90-79

**Germany - Munich**  
Tel: 49-89-627-144-0  
Fax: 49-89-627-144-44

**Italy - Milan**  
Tel: 39-0331-742611  
Fax: 39-0331-466781

**Netherlands - Drunen**  
Tel: 31-416-690399  
Fax: 31-416-690340

**Spain - Madrid**  
Tel: 34-91-708-08-90  
Fax: 34-91-708-08-91

**UK - Wokingham**  
Tel: 44-118-921-5869  
Fax: 44-118-921-5820

02/18/11