

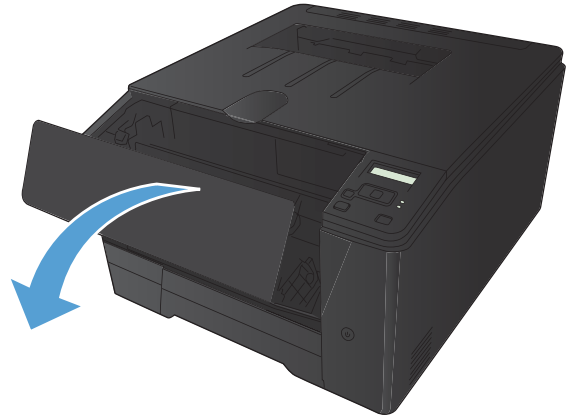


LASERJET PRO 200 COLOR M251

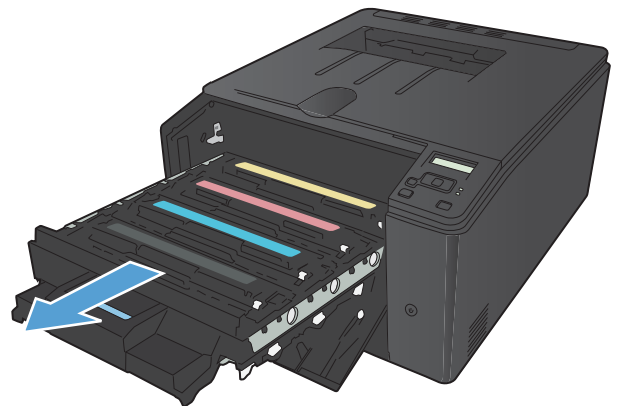


Replace the toner cartridges

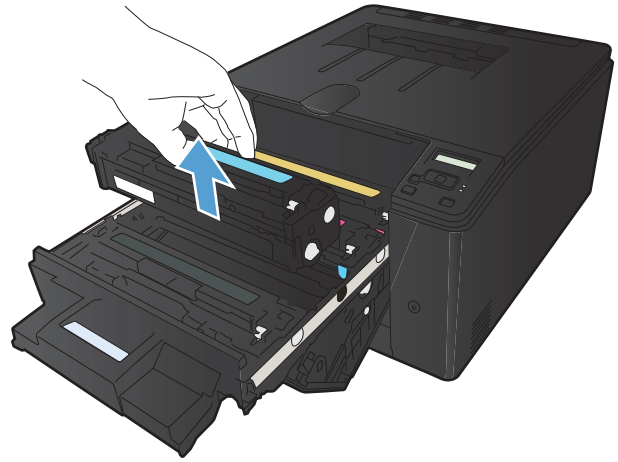
1. Open the front door.



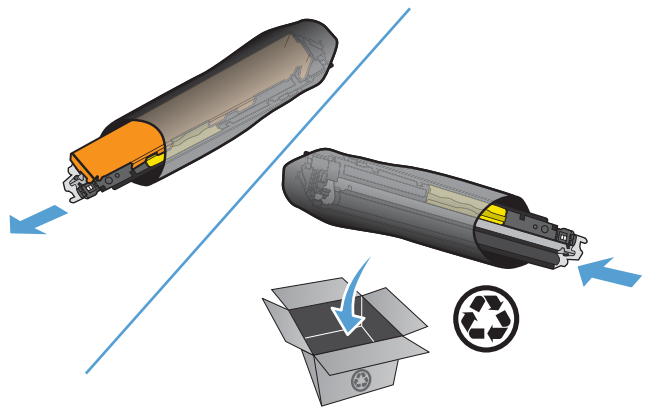
2. Pull out the toner cartridge drawer.



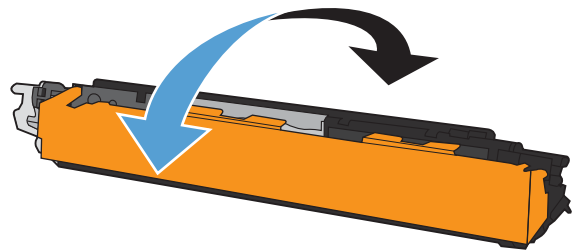
3. Grasp the handle on the toner cartridge, and then pull the toner cartridge straight up to remove it.



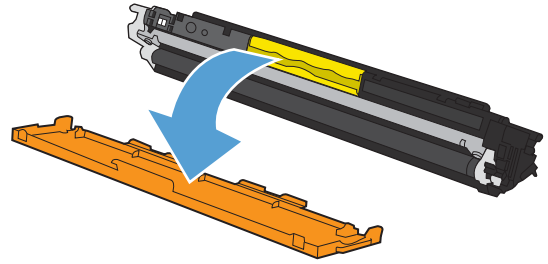
4. Remove the new toner cartridge from the packaging.



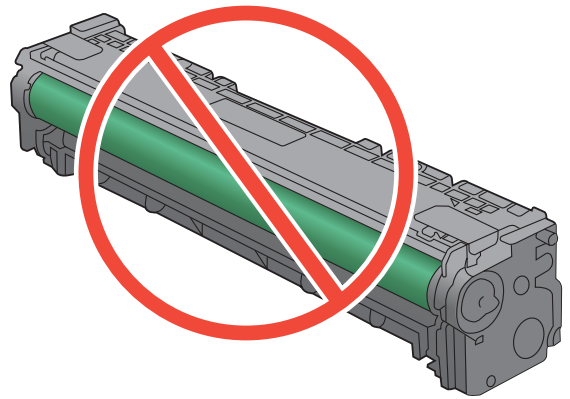
5. Gently rock the toner cartridge from front to back to distribute the toner evenly inside the cartridge.



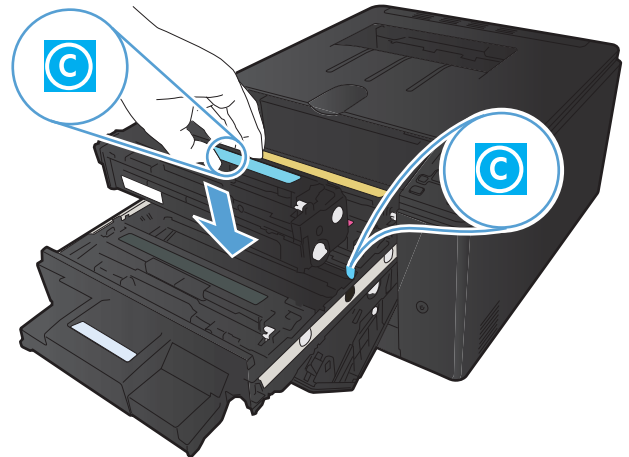
6. Remove the plastic shield from the bottom of the new toner cartridge.



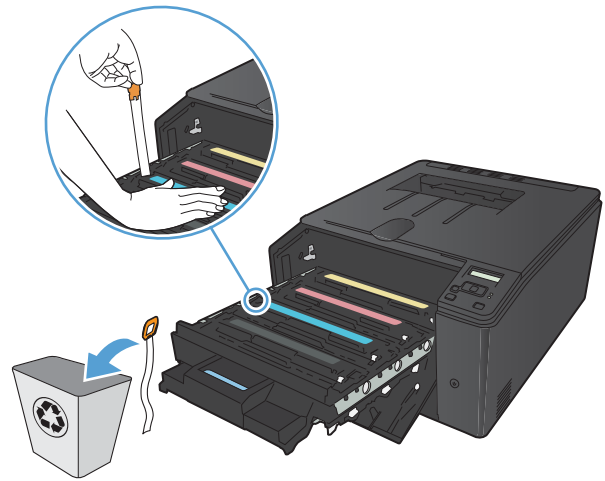
7. Do not touch the imaging drum on the bottom of the toner cartridge. Fingerprints on the imaging drum can cause print-quality problems.



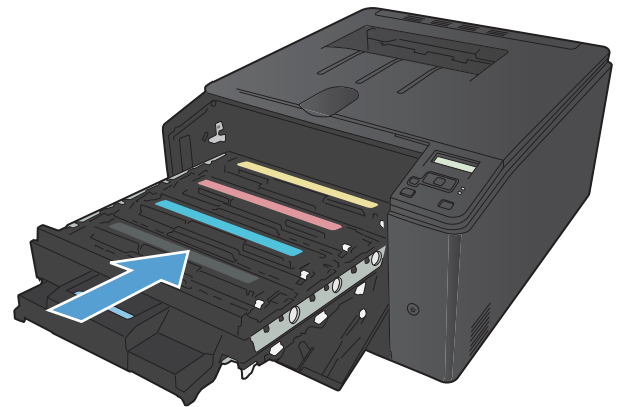
8. Insert the new toner cartridge into the product.



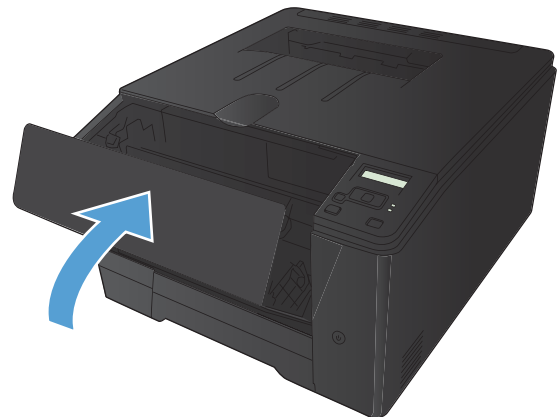
9. Pull the tab on the left side of the toner cartridge straight up to completely remove the sealing tape. Discard the sealing tape.



10. Close the toner cartridge drawer.



11. Close the front door.



12. Place the old toner cartridge and the plastic shield in the box for the new toner cartridge. Follow the recycling instructions that are included in the box.